

US00D506846S

(12) **United States Design Patent**
Kang et al.

(10) **Patent No.: US D506,846 S**
(45) **Date of Patent: ** Jun. 28, 2005**

(54) **FLASHLIGHT**

(75) Inventors: **Donwoong Kang**, Syracuse, NY (US);
Scott W. Osiecki, Skaneateles, NY
(US)

(73) Assignee: **Eveready Battery Company, Inc.**, St.
Louis, MO (US)

(**) Term: **14 Years**

(21) Appl. No.: **29/212,243**

(22) Filed: **Aug. 27, 2004**

(51) **LOC (8) Cl.** **26-02**

(52) **U.S. Cl.** **D26/39**

(58) **Field of Search** D26/37-50; 362/157,
362/158, 171-174, 183-208

(56) **References Cited**

U.S. PATENT DOCUMENTS

D394,720 S	*	5/1998	Yuen	D26/39
D472,998 S	*	4/2003	Paris et al.	D26/39
D482,473 S	*	11/2003	Shiu	D26/39
D492,052 S	*	6/2004	Schnell	D26/39

* cited by examiner

Primary Examiner—Marcus A. Jackson

(74) *Attorney, Agent, or Firm*—Stewart A. Fraser

(57) **CLAIM**

We claim the ornamental design for a flashlight, as shown and described.

DESCRIPTION

FIG. 1 is a view showing the right front of the flashlight of the present invention, with the broken line showing for illustrative purposes only and forming no part of the claimed design;

FIG. 2 is a view showing the left rear of the flashlight of the present invention;

FIG. 3 is a top view of the flashlight of the present invention;

FIG. 4 is a bottom view of the flashlight of the present invention;

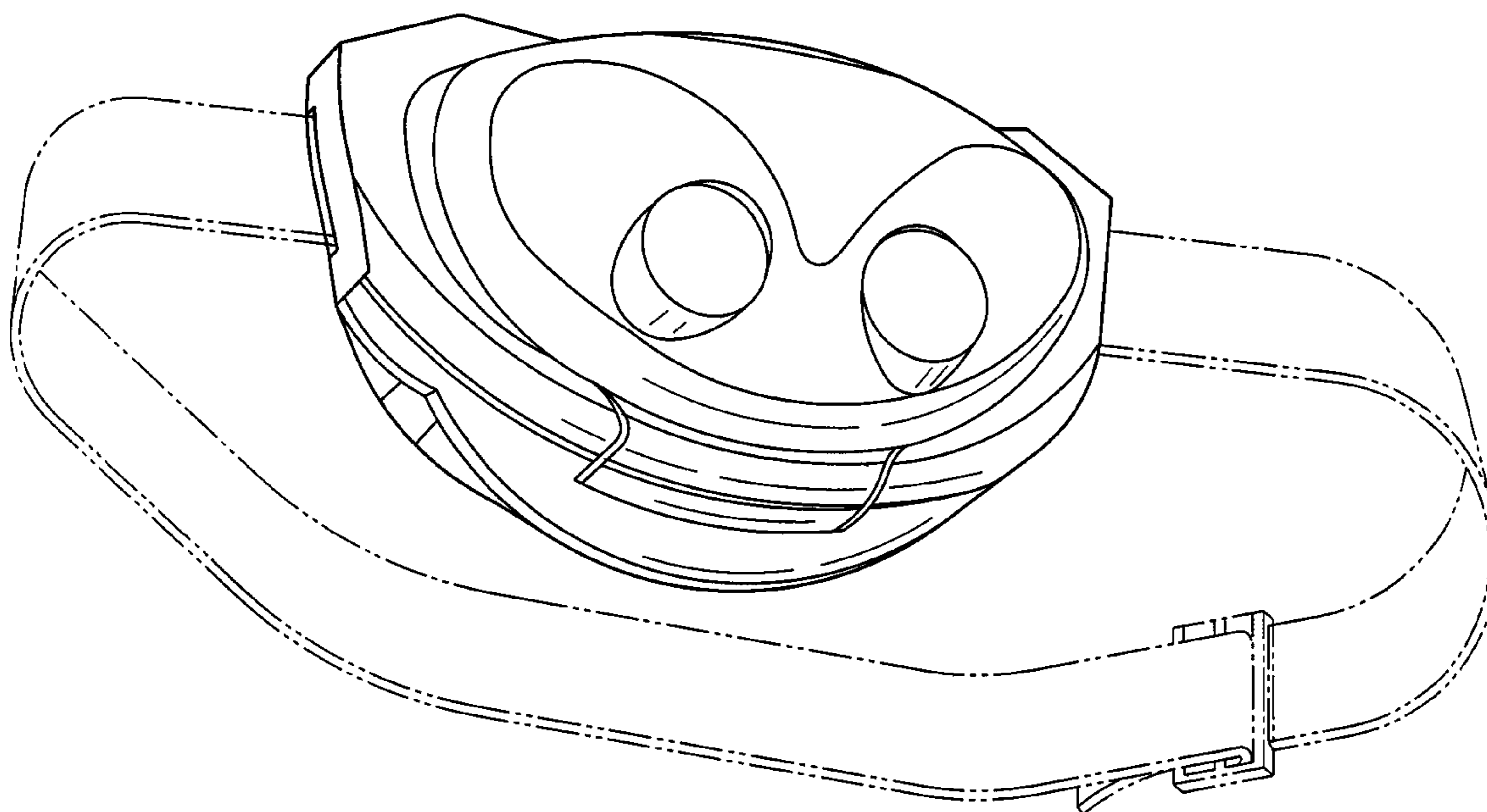
FIG. 5 is a view showing the left side of the flashlight of the present invention;

FIG. 6 is a view showing the right side of the flashlight of the present invention;

FIG. 7 is a front view of the flashlight of the present invention; and,

FIG. 8 is a rear view of the flashlight of the present invention.

1 Claim, 5 Drawing Sheets



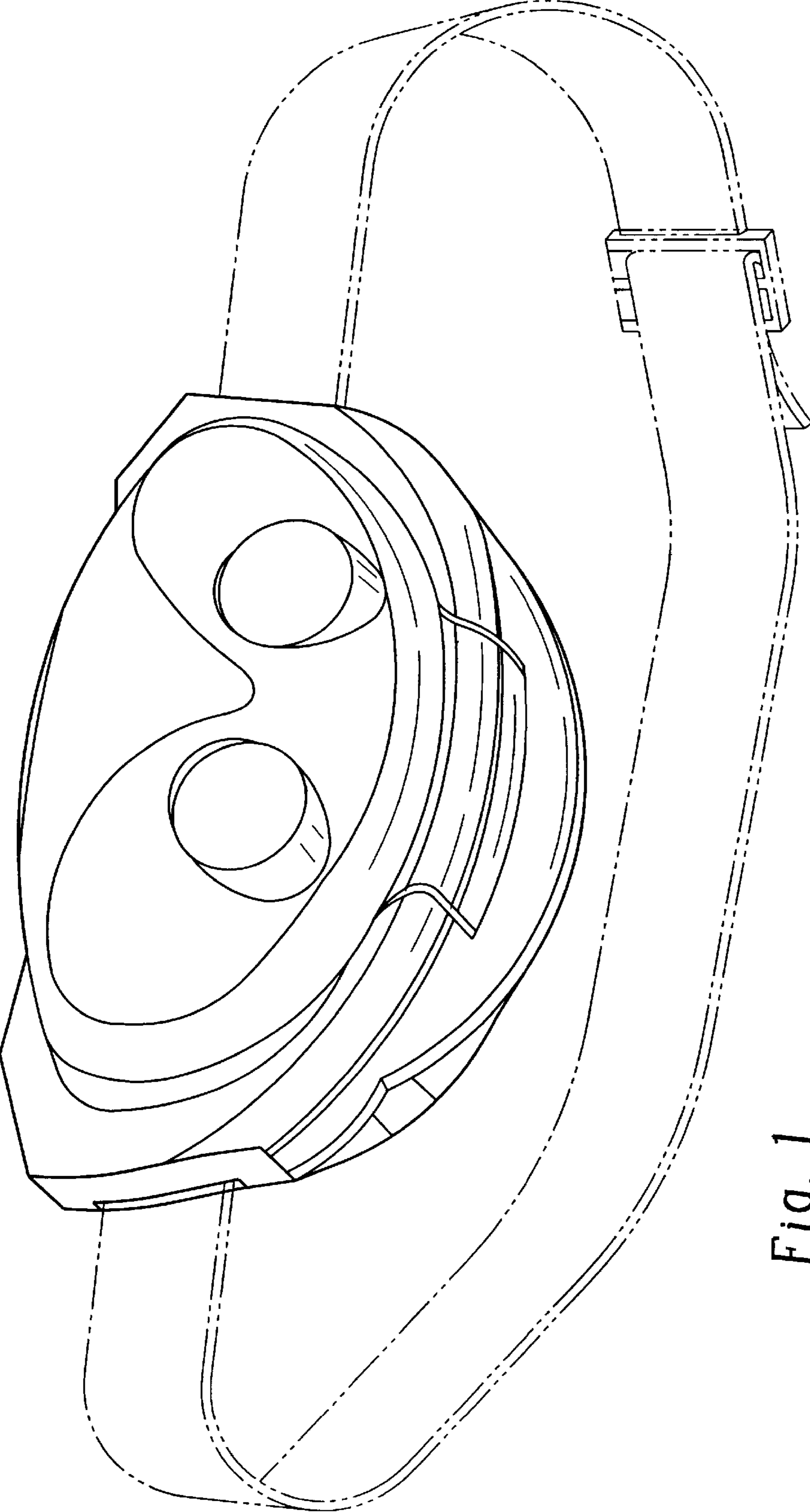
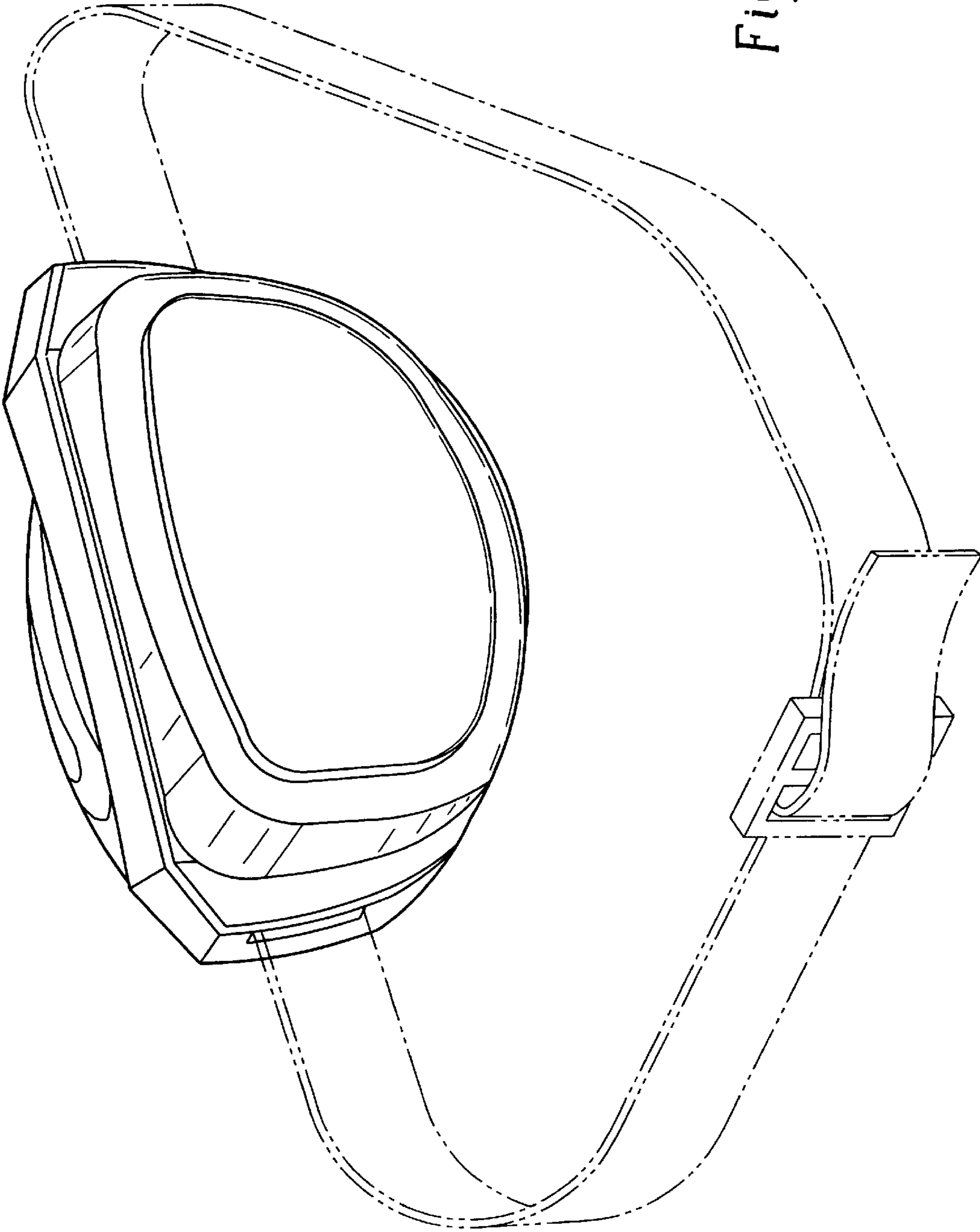


Fig. 1

Fig. 2



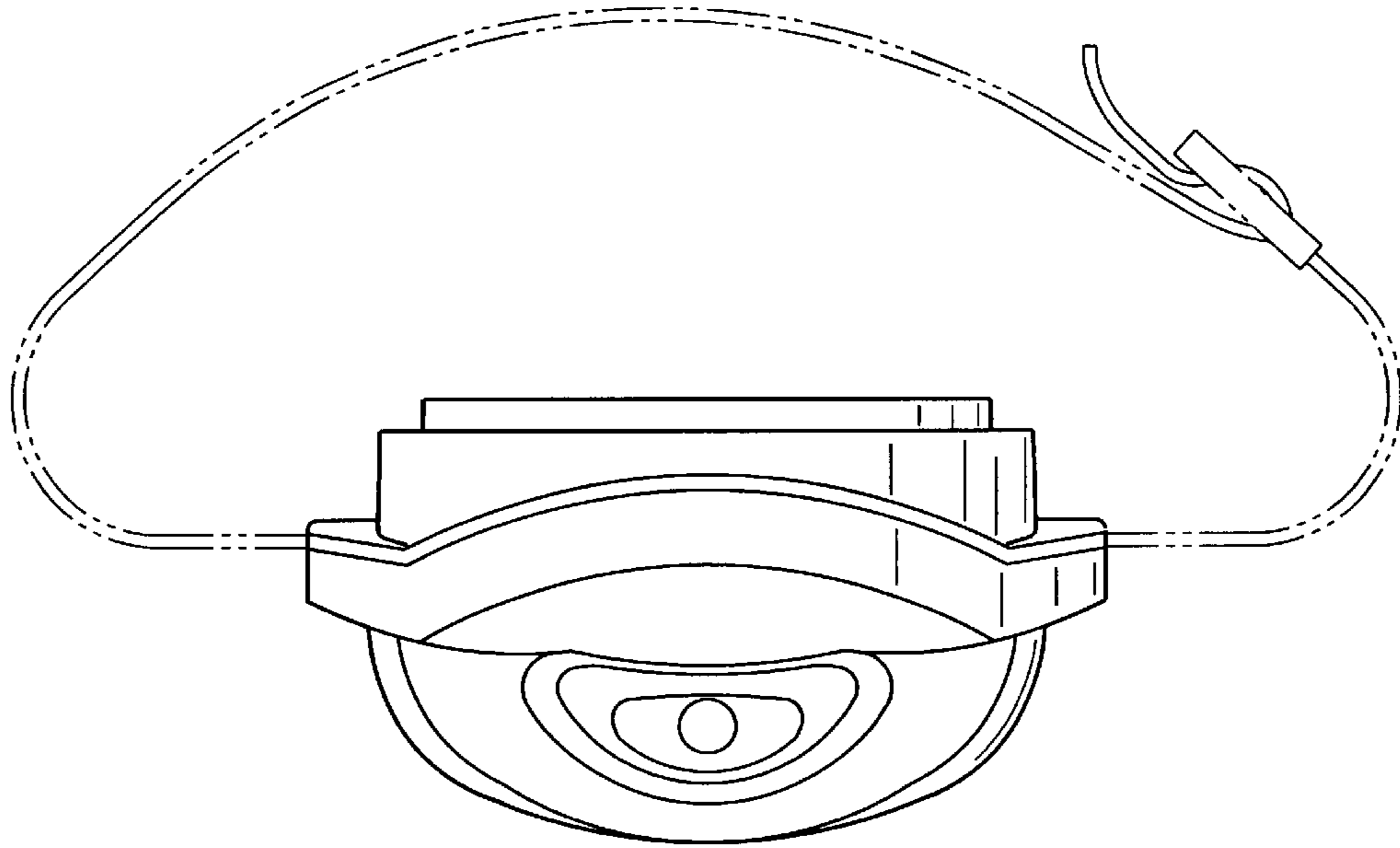


Fig. 3

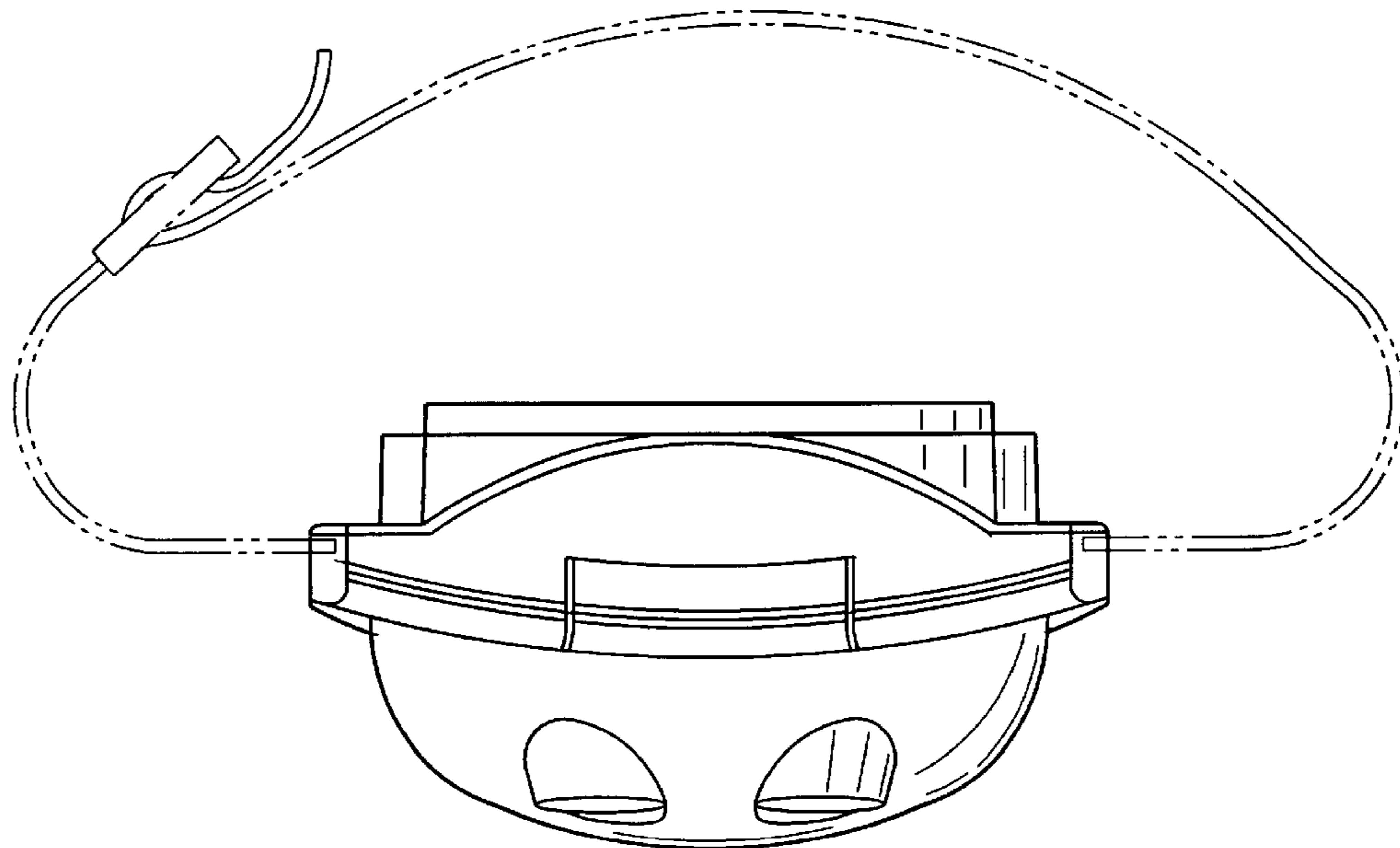


Fig. 4

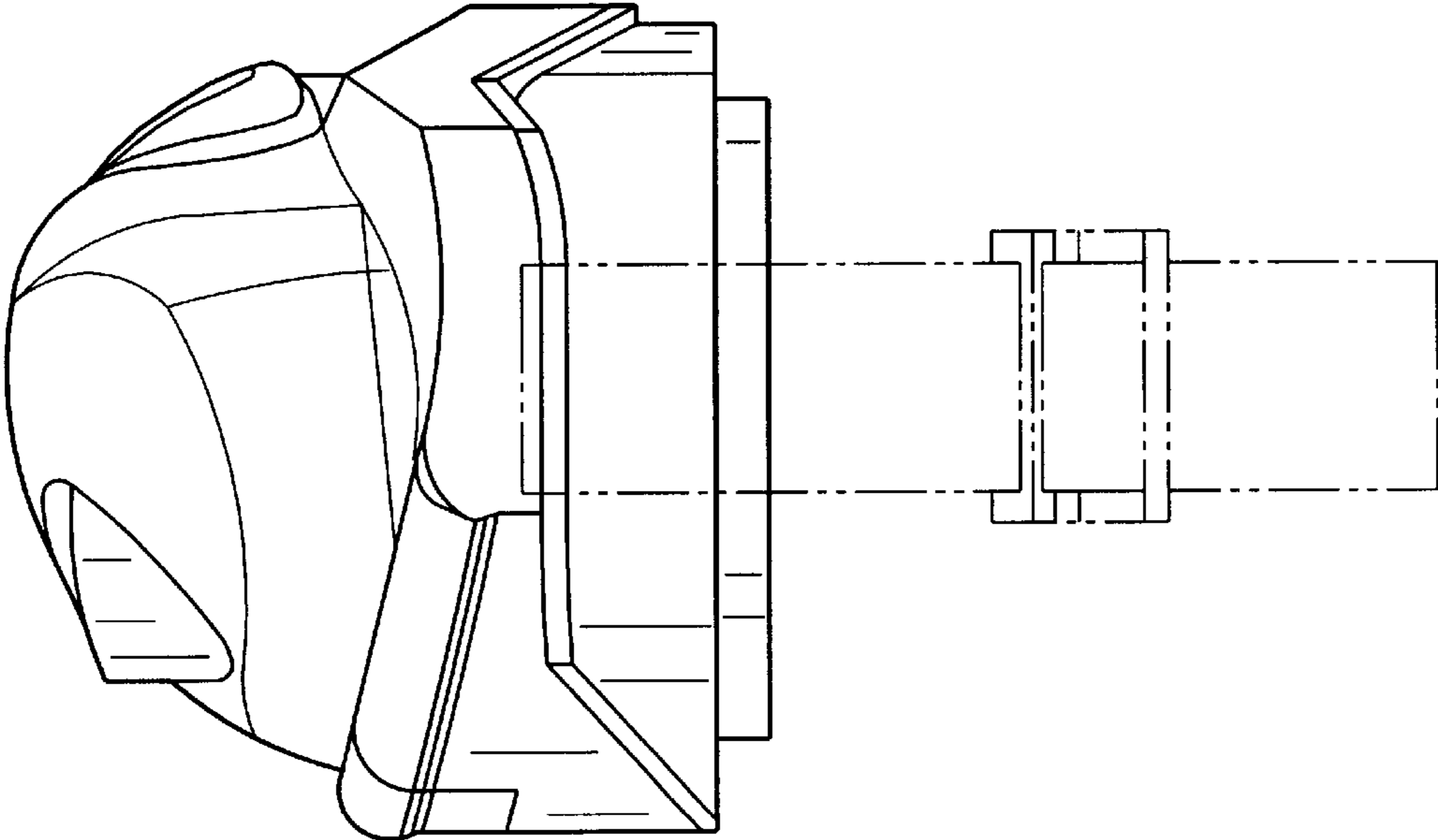


Fig. 5

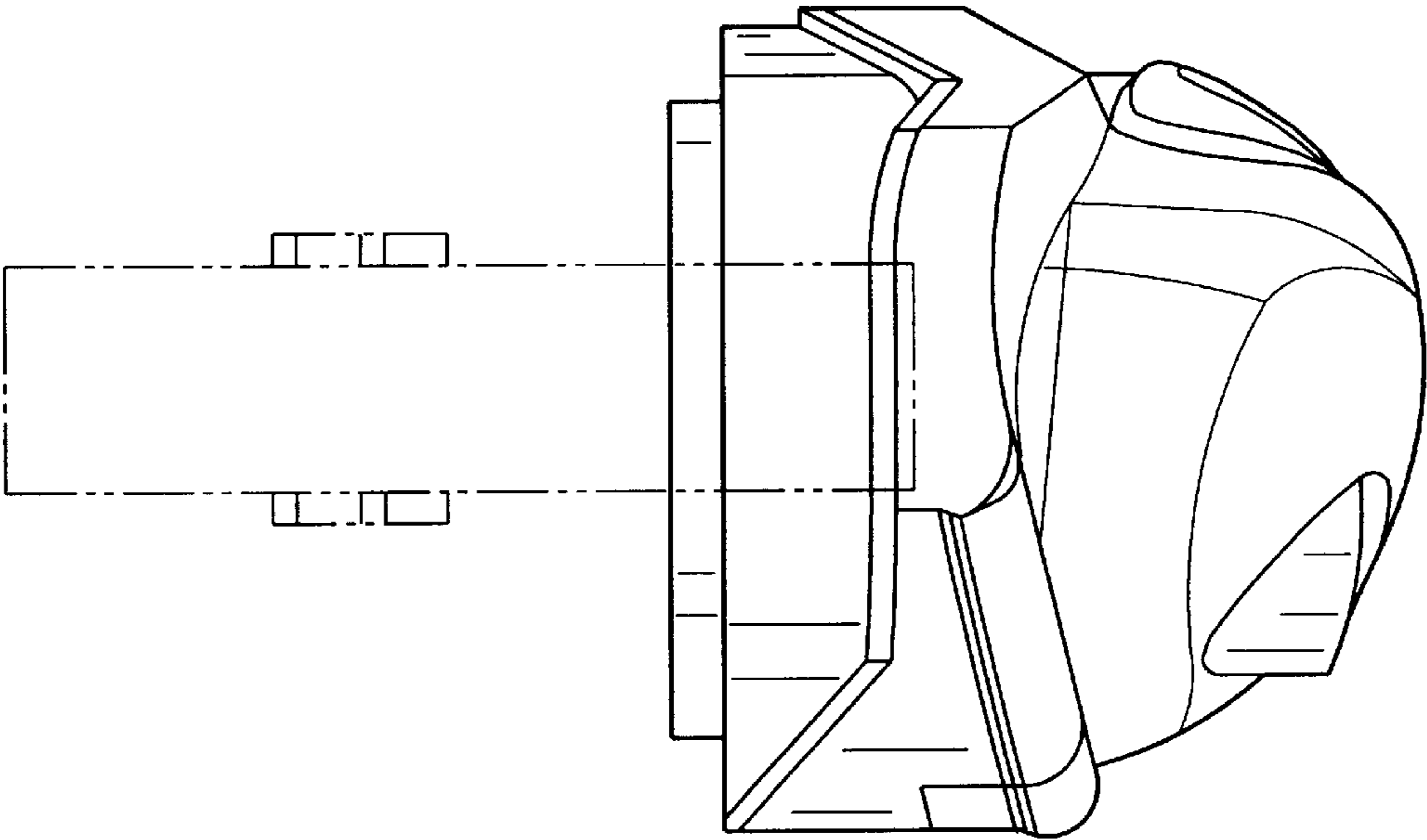


Fig. 6

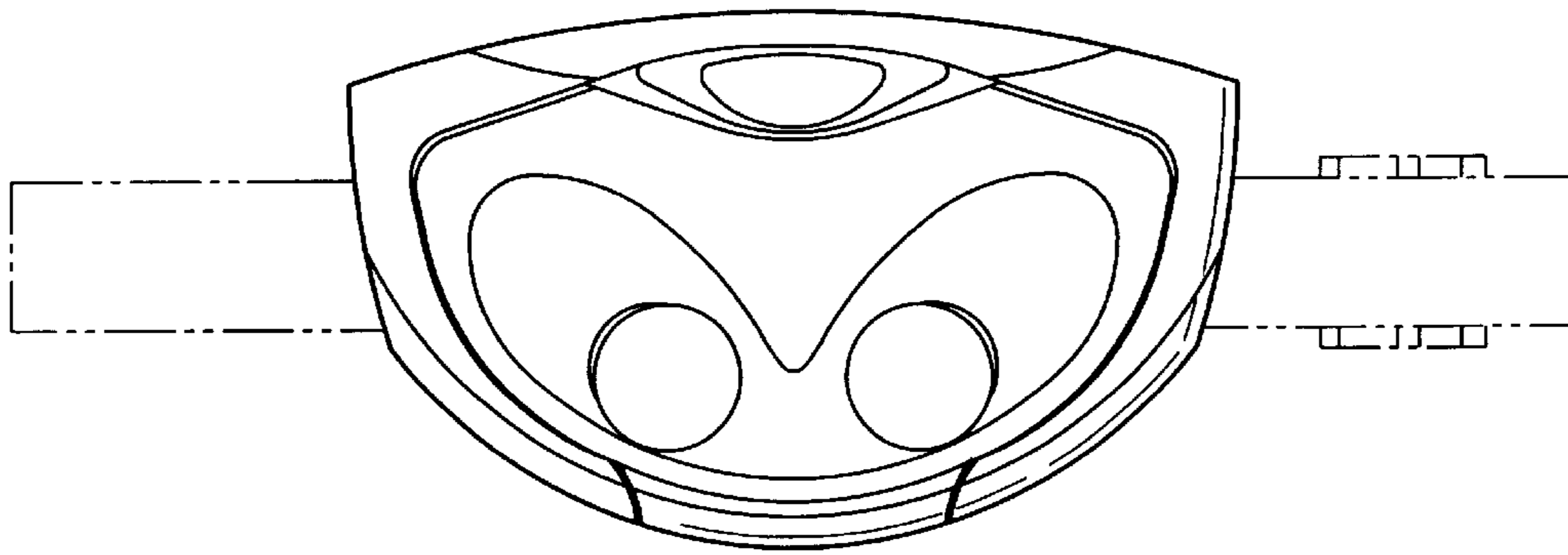


Fig. 7

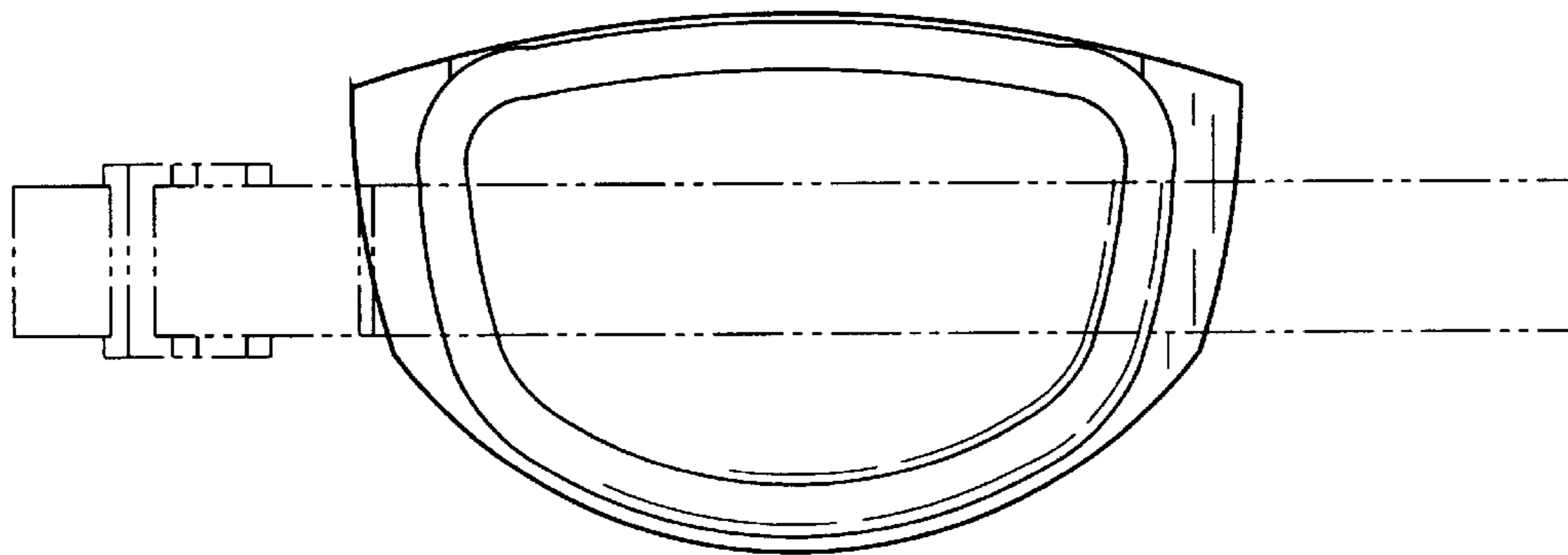


Fig. 8