

US00D506844S

(12) **United States Design Patent**
Lin

(10) **Patent No.:** **US D506,844 S**
(45) **Date of Patent:** **** Jun. 28, 2005**

(54) **TAILLIGHT**

D500,374 S * 12/2004 Reiss et al. D26/28

(76) **Inventor:** **Benny Lin**, No. 16, Lane 143, Sec. 2,
Kuangfu Rd., Sanchung City, Taipei
Hsien (TW)

* cited by examiner

Primary Examiner—Marcus A. Jackson

(74) *Attorney, Agent, or Firm*—Alan D. Kamrath; Nikolai
& Mersereau, P.A.

(**) **Term:** **14 Years**

(57) **CLAIM**

(21) **Appl. No.:** **29/209,418**

The ornamental design for a taillight, as shown.

(22) **Filed:** **Jul. 14, 2004**

DESCRIPTION

(51) **LOC (8) Cl.** **26-06**

FIG. 1 is a perspective view of a taillight, showing my new design;

(52) **U.S. Cl.** **D26/28**

FIG. 2 is a front view thereof;

(58) **Field of Search** D26/28-36; 362/457-468,

FIG. 3 is a rear view thereof;

362/475-477, 485-487

FIG. 4 is a left view thereof;

FIG. 5 is a right view thereof;

FIG. 6 is a top view thereof; and,

FIG. 7 is a bottom view thereof.

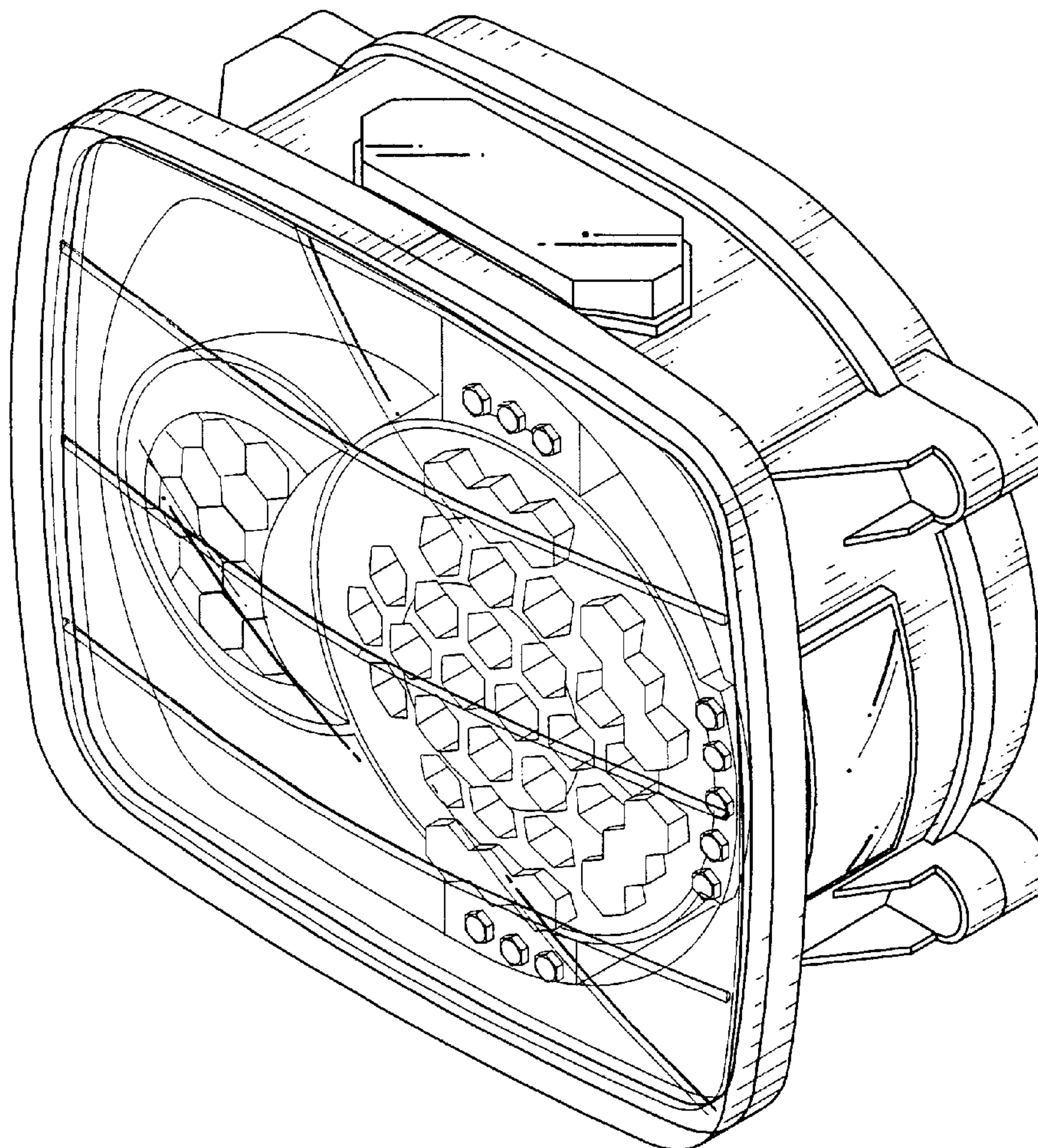
(56) **References Cited**

U.S. PATENT DOCUMENTS

D317,212 S * 5/1991 Fettes et al. D26/28

D375,180 S * 10/1996 Lyons D26/28

1 Claim, 4 Drawing Sheets



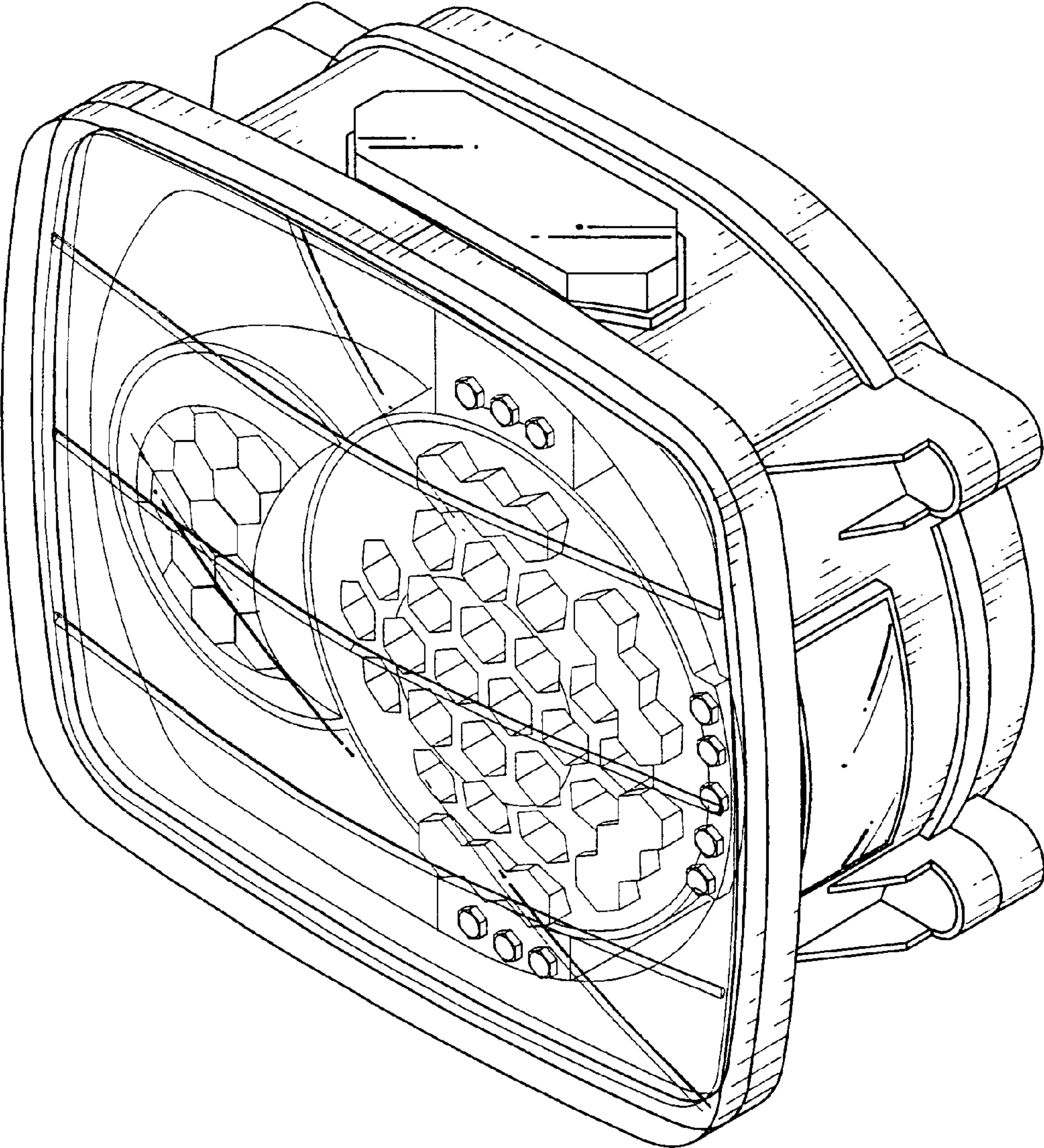


FIG .1

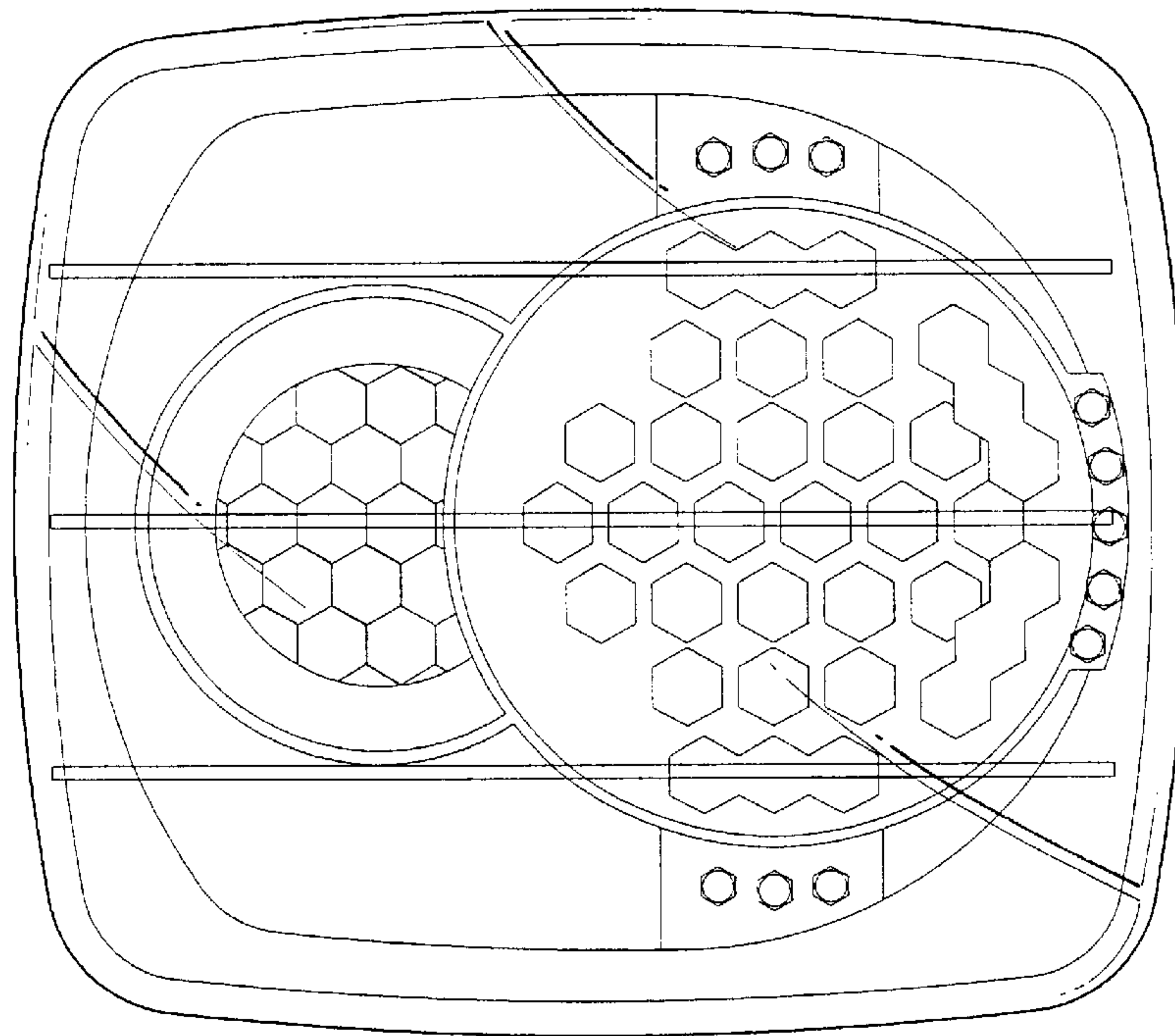


FIG. 2

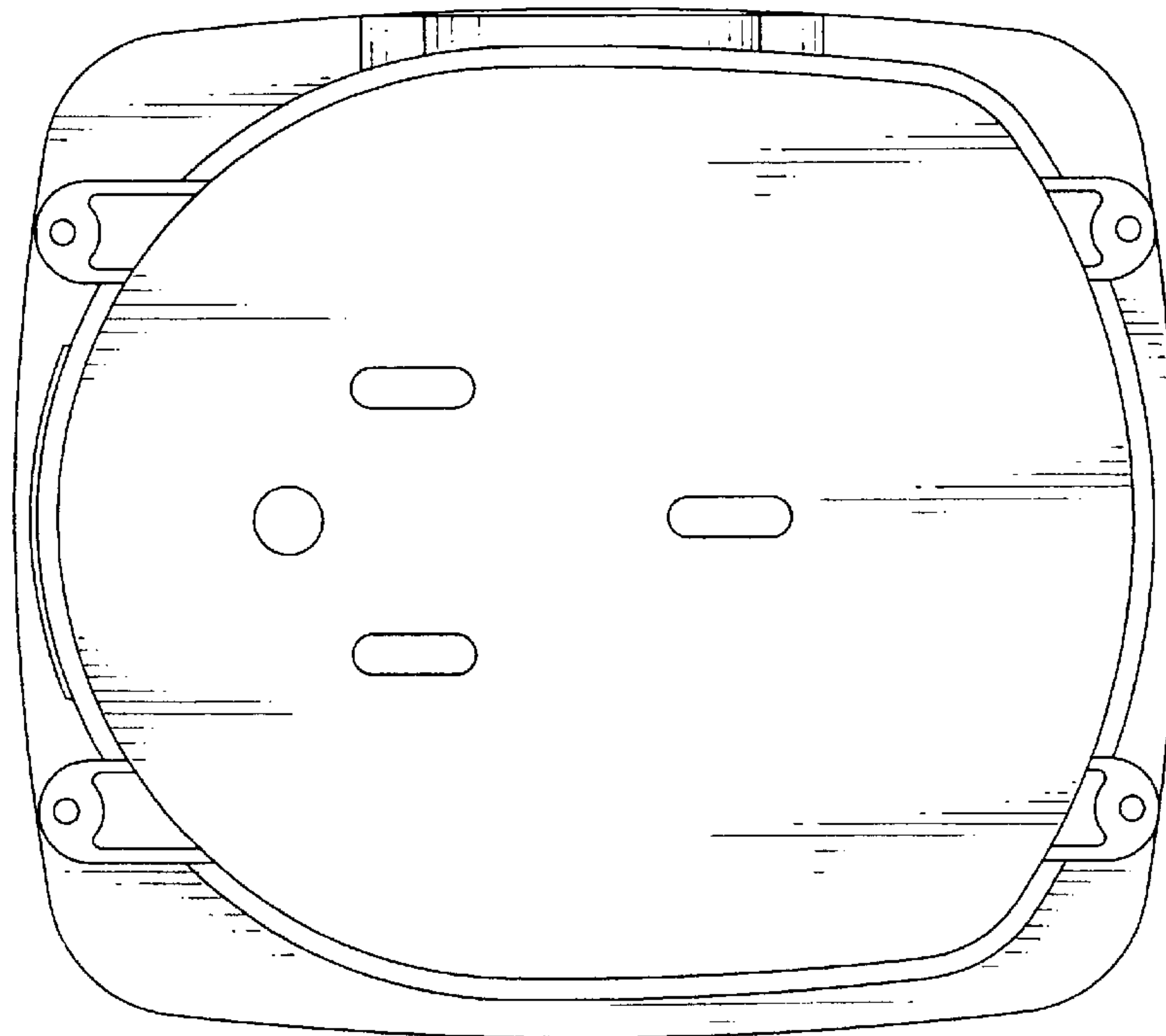


FIG. 3

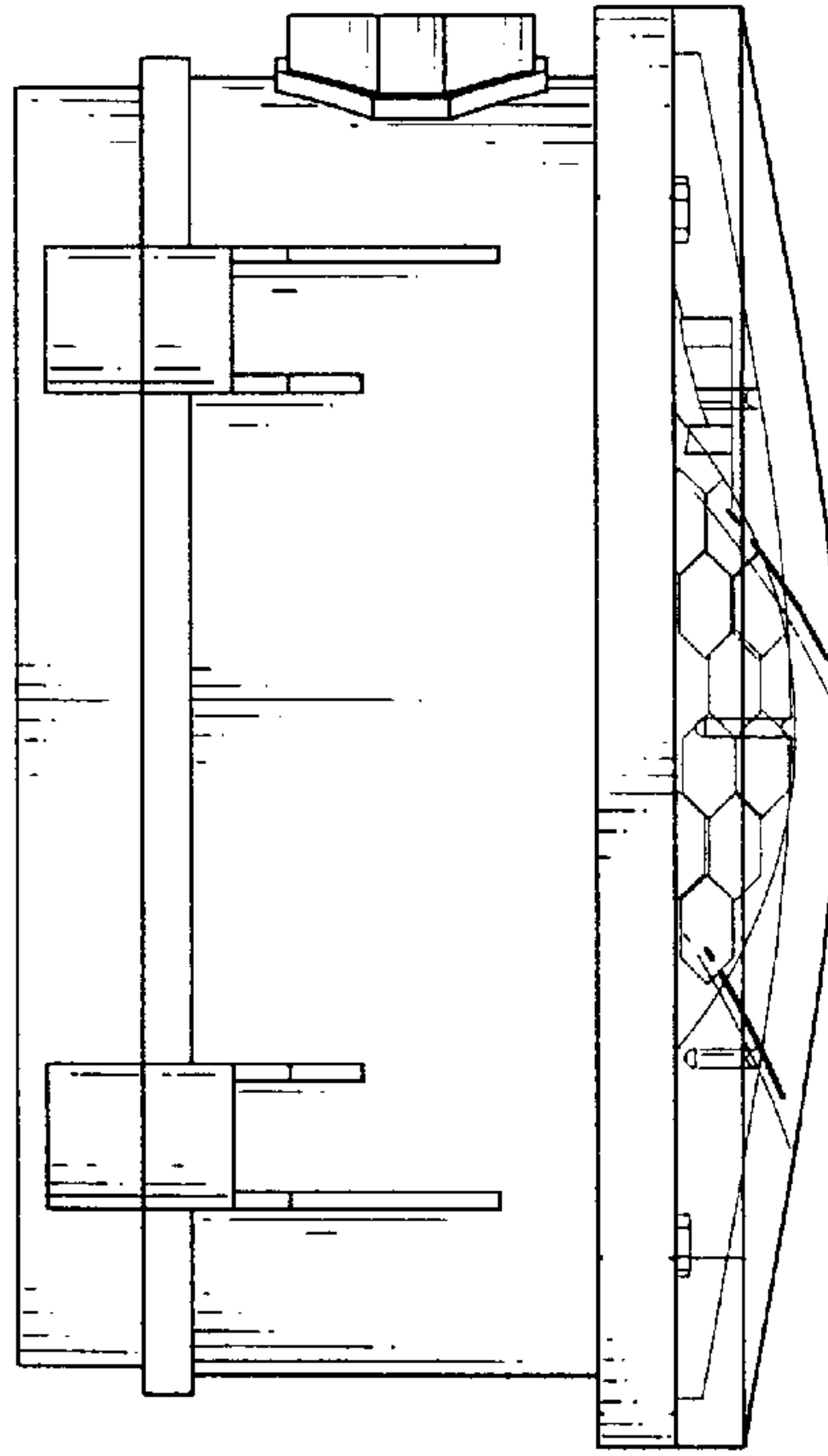


FIG. 4

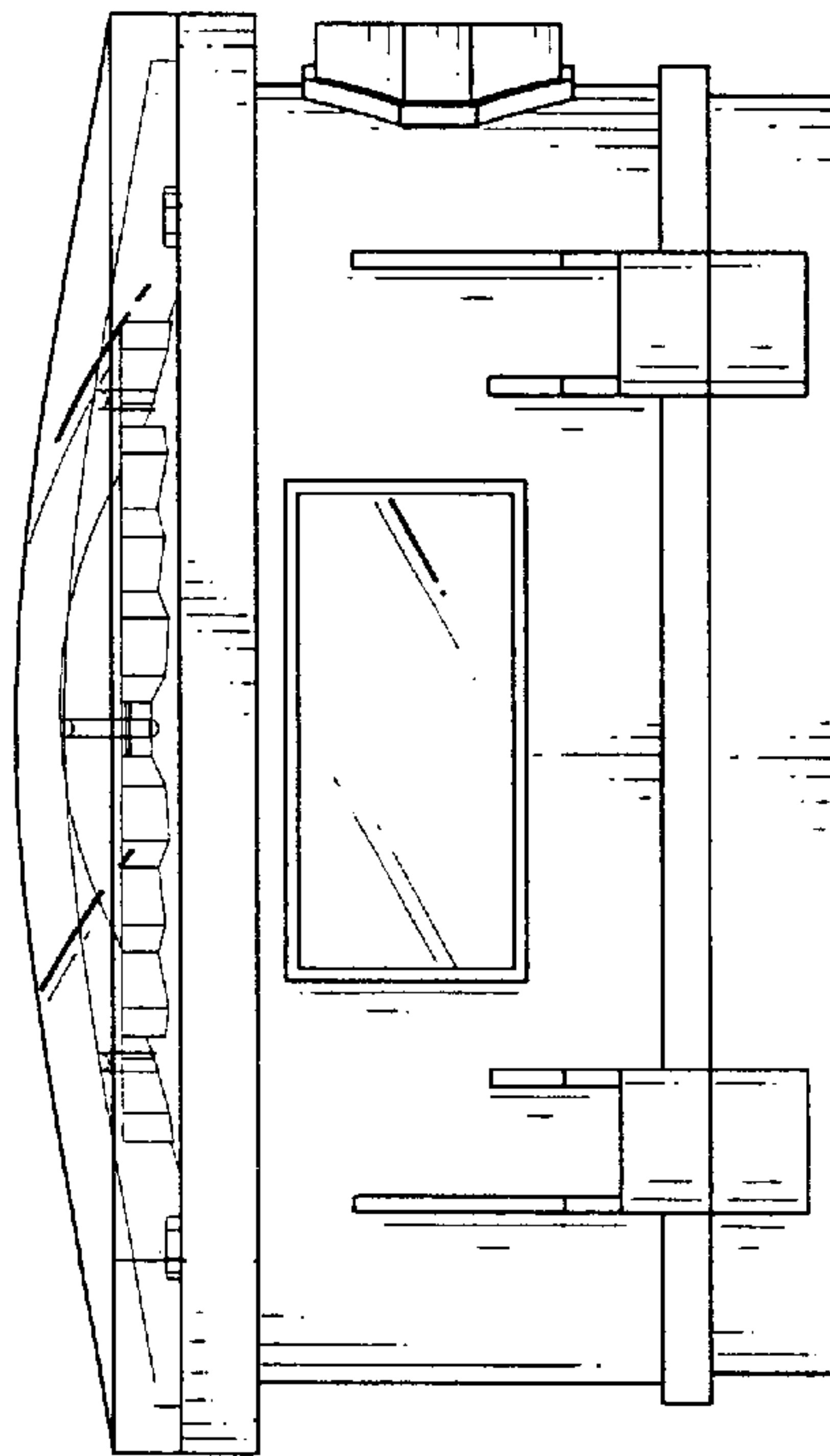


FIG. 5

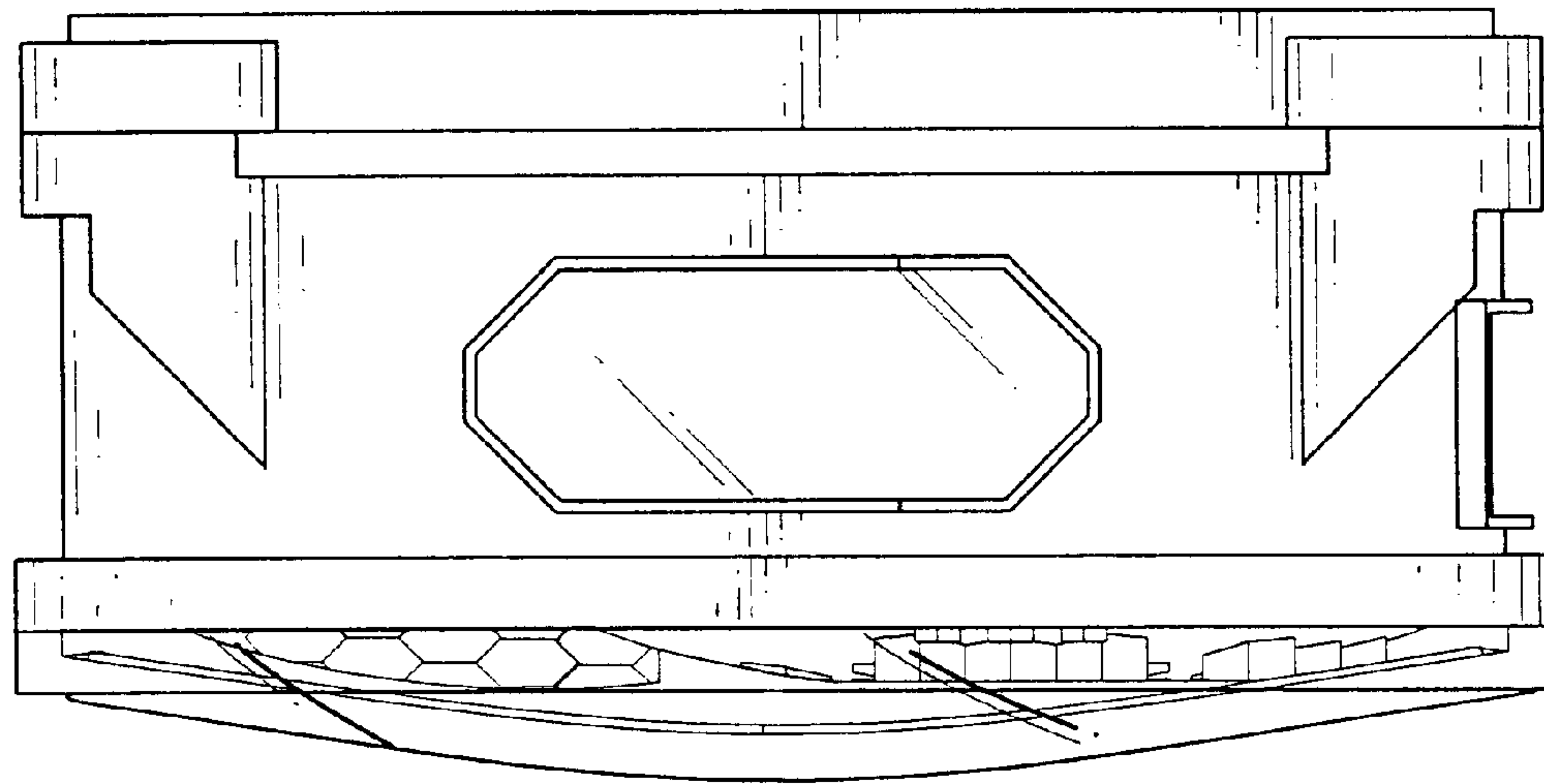


FIG. 6

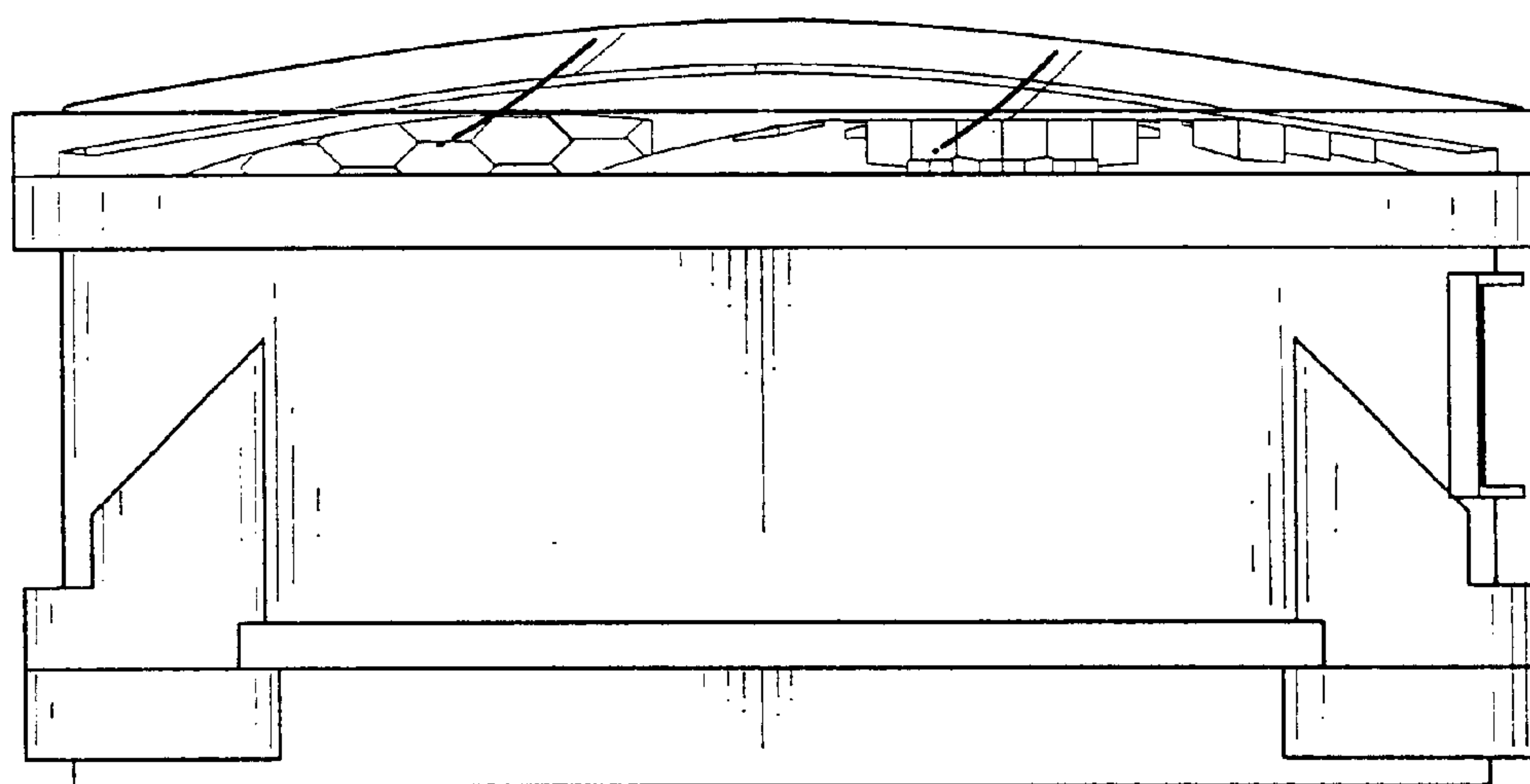


FIG. 7