



US00D506838S

(12) **United States Design Patent**  
**Rosian**

(10) **Patent No.: US D506,838 S**  
(45) **Date of Patent: \*\* Jun. 28, 2005**

(54) **COVER FOR RAIL ATTACHMENT**

(76) Inventor: **Michael J. Rosian**, P.O. Box 1041,  
Orland Park, IL (US) 60462

(\*\*) Term: **14 Years**

(21) Appl. No.: **29/200,168**

(22) Filed: **Feb. 24, 2004**

(51) **LOC (8) Cl. .... 25-01**

(52) **U.S. Cl. .... D25/135**

(58) **Field of Search** ..... D25/133, 135;  
52/721.5, 723.2; 256/65.01, 65.02, 65.04,  
65.05, 65.06

(56) **References Cited**

**U.S. PATENT DOCUMENTS**

D303,716 S	9/1989	Waller	.....	D8/354
5,788,224 A	*	8/1998	Platt	..... 256/66
5,873,671 A		2/1999	West	..... 403/232.1
D460,571 S	*	7/2002	Schimmelpfennig	..... D25/135
D493,993 S		8/2004	Roberts, III et al.	..... D6/550
2003/0030048 A1		2/2003	Quaintance et al.	..... 256/59
2003/0164486 A1		9/2003	West	..... 256/65.1

**OTHER PUBLICATIONS**

Cover from Kroy Building Products, Inc. of York, Nebraska.  
Cover from Homeland® Vinyl Fence Ltd. of Brampton,  
Ontario, Canada.

\* cited by examiner

*Primary Examiner*—Doris Clark

(74) *Attorney, Agent, or Firm*—McAndrews, Held &  
Malloy, Ltd.

(57) **CLAIM**

I claim the ornamental design for the cover for rail attachment, as shown and described.

**DESCRIPTION**

FIG. 1 is a perspective view of a cover for a rail attachment according to the present invention;

FIG. 2 is a top view of the cover for a rail attachment;

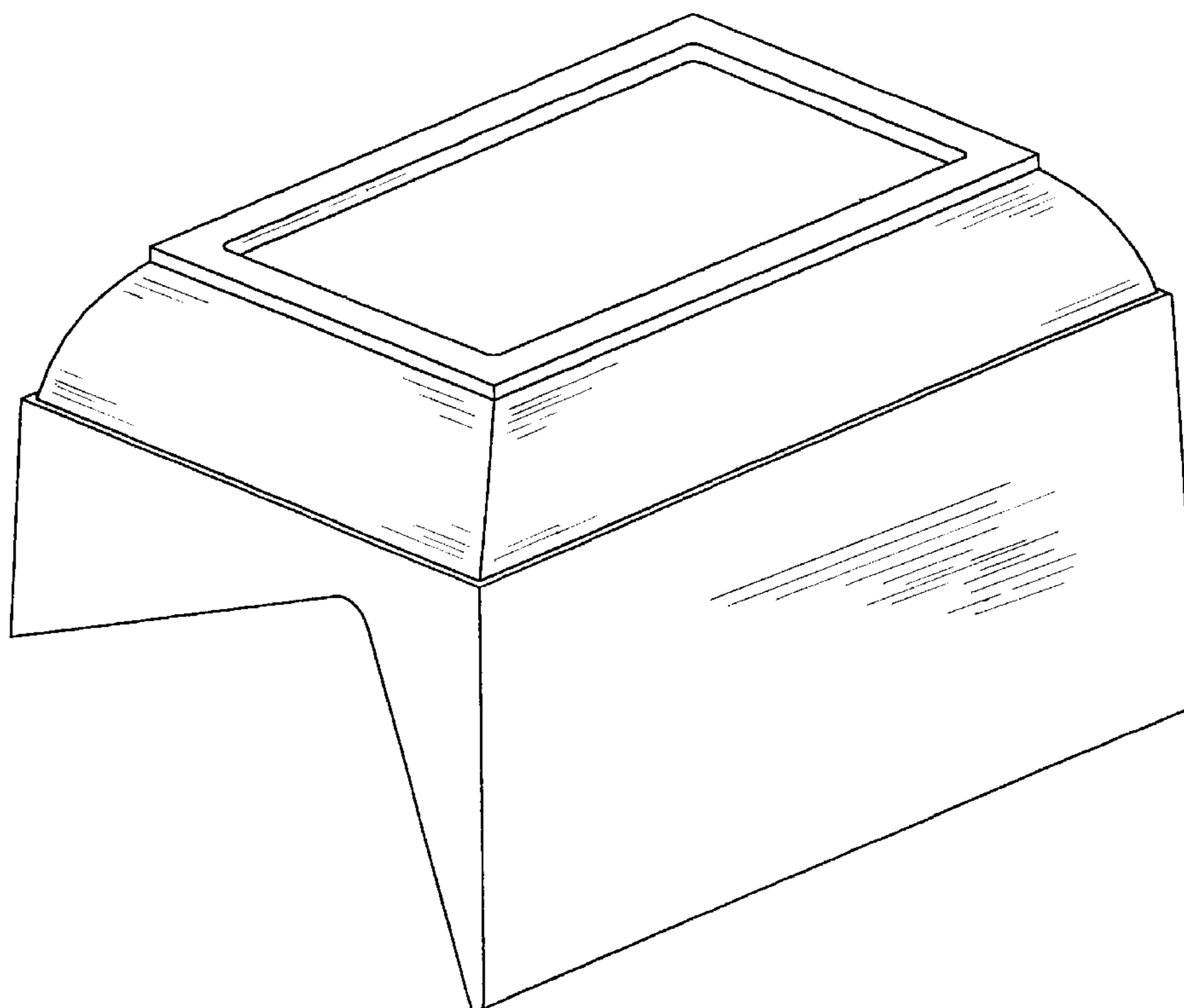
FIG. 3 is a view of a first side of the cover for a rail attachment;

FIG. 4 is an upside-down view of a second side of the cover for a rail attachment;

FIG. 5 is a view of a third side of the cover for a rail attachment; and,

FIG. 6 is a view of a fourth side of the cover for a rail attachment. Ordinarily, the bottom of the cover will not be visible when the cover is in use as a cover for a rail attachment. The third and fourth sides are shaped so that the bottom of the cover can be attached to a non-planar surface, such as a corner of a support post.

**1 Claim, 6 Drawing Sheets**



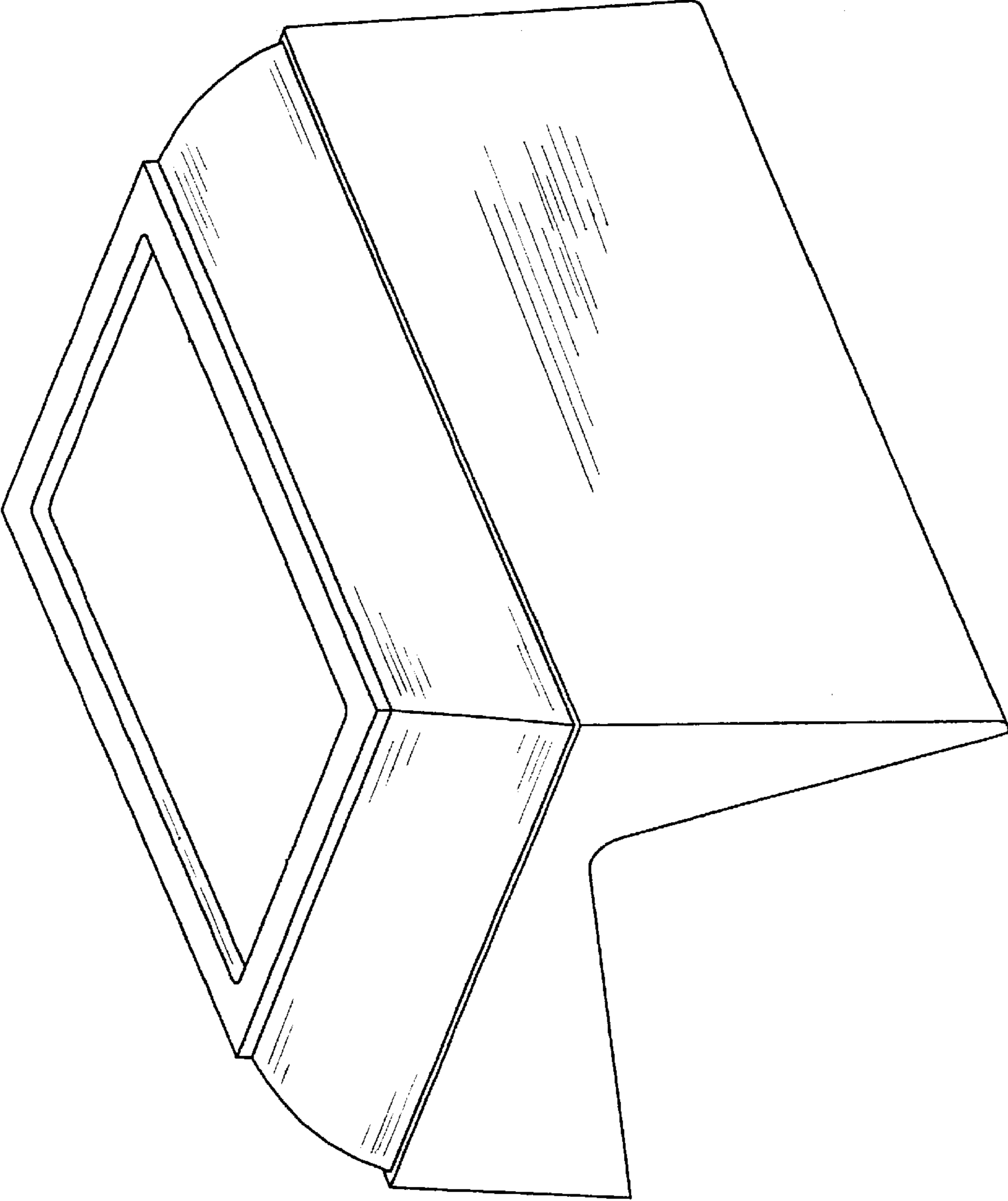


Figure 1

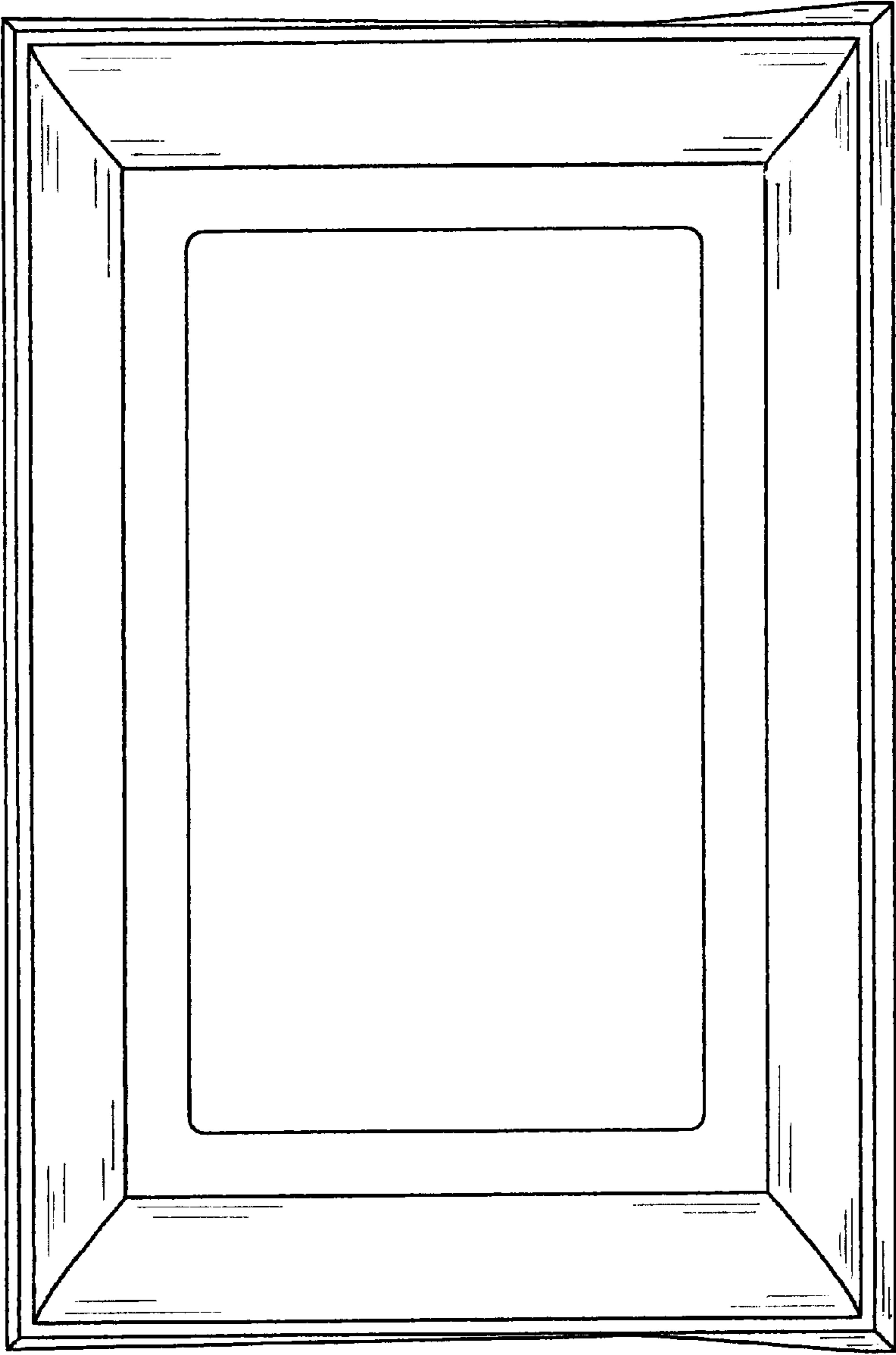


Figure 2

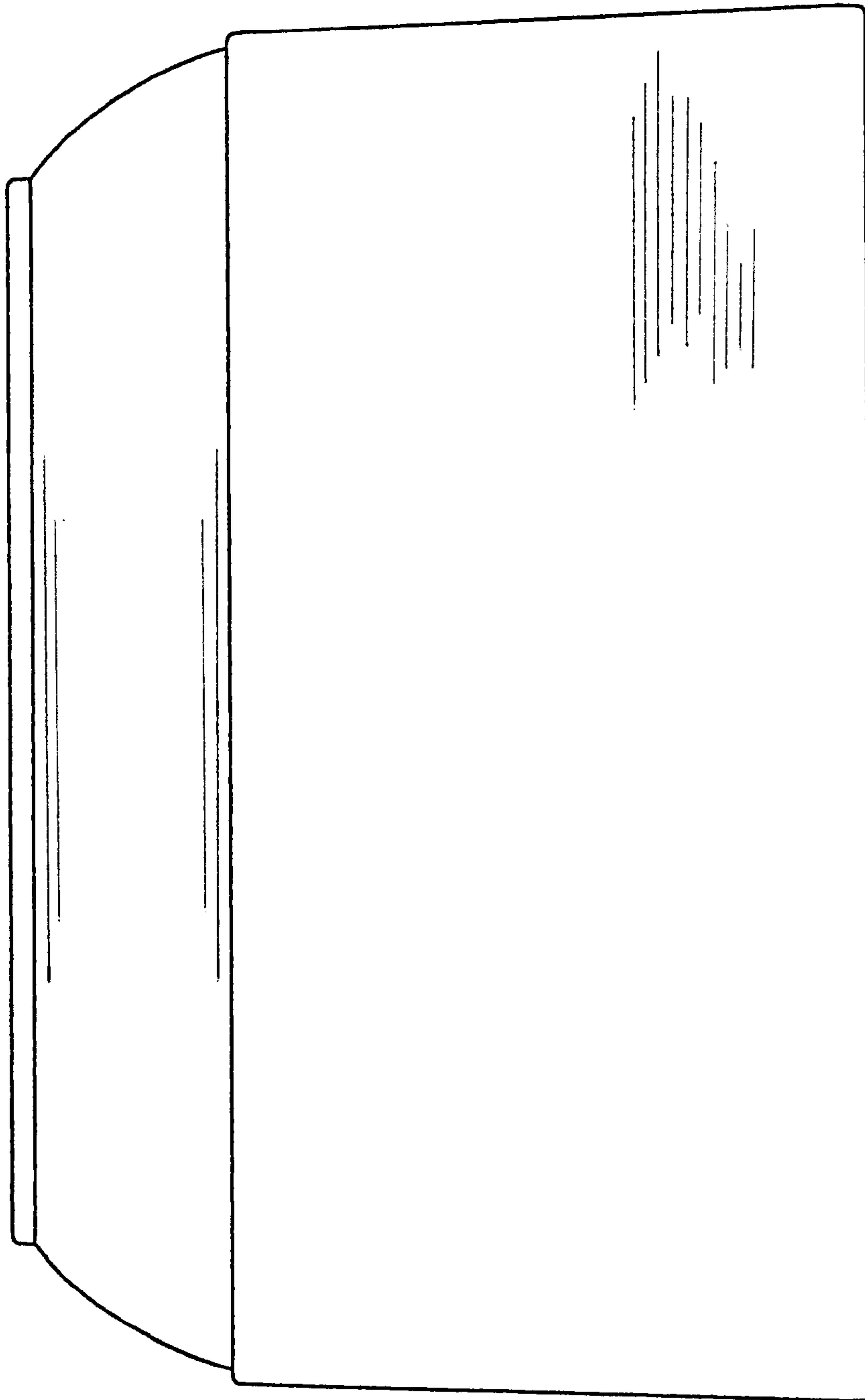


Figure 3

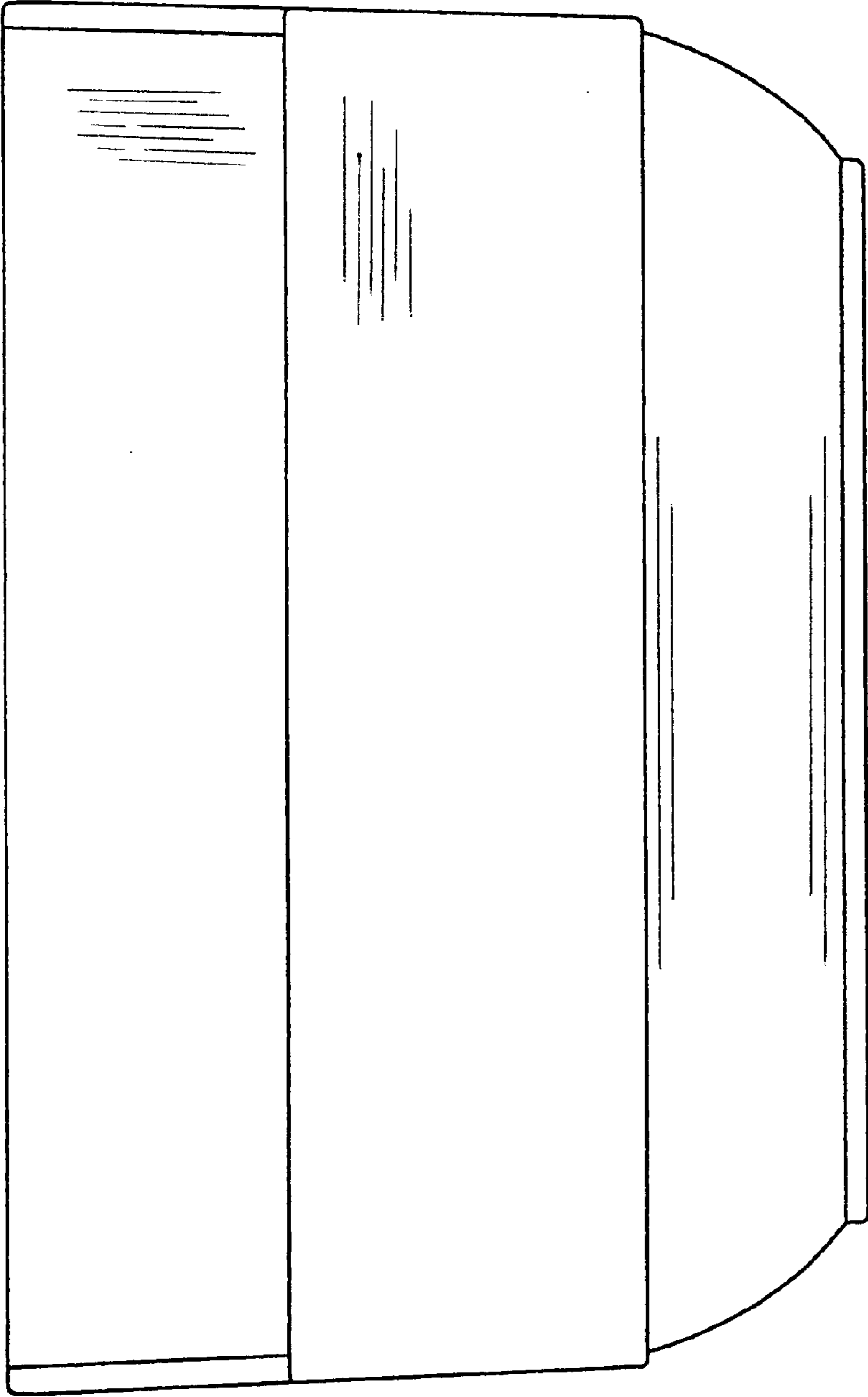


Figure 4

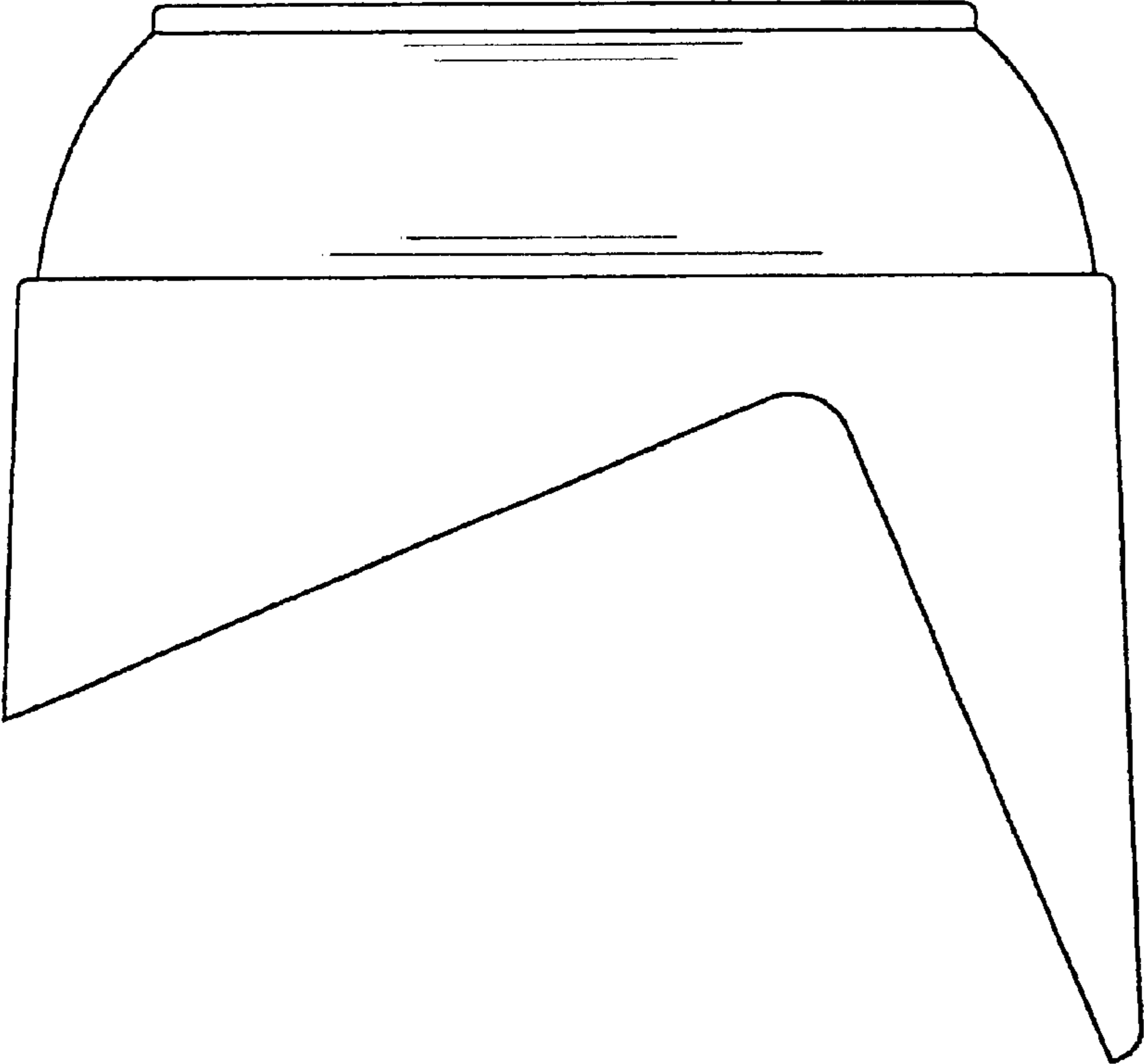


Figure 5

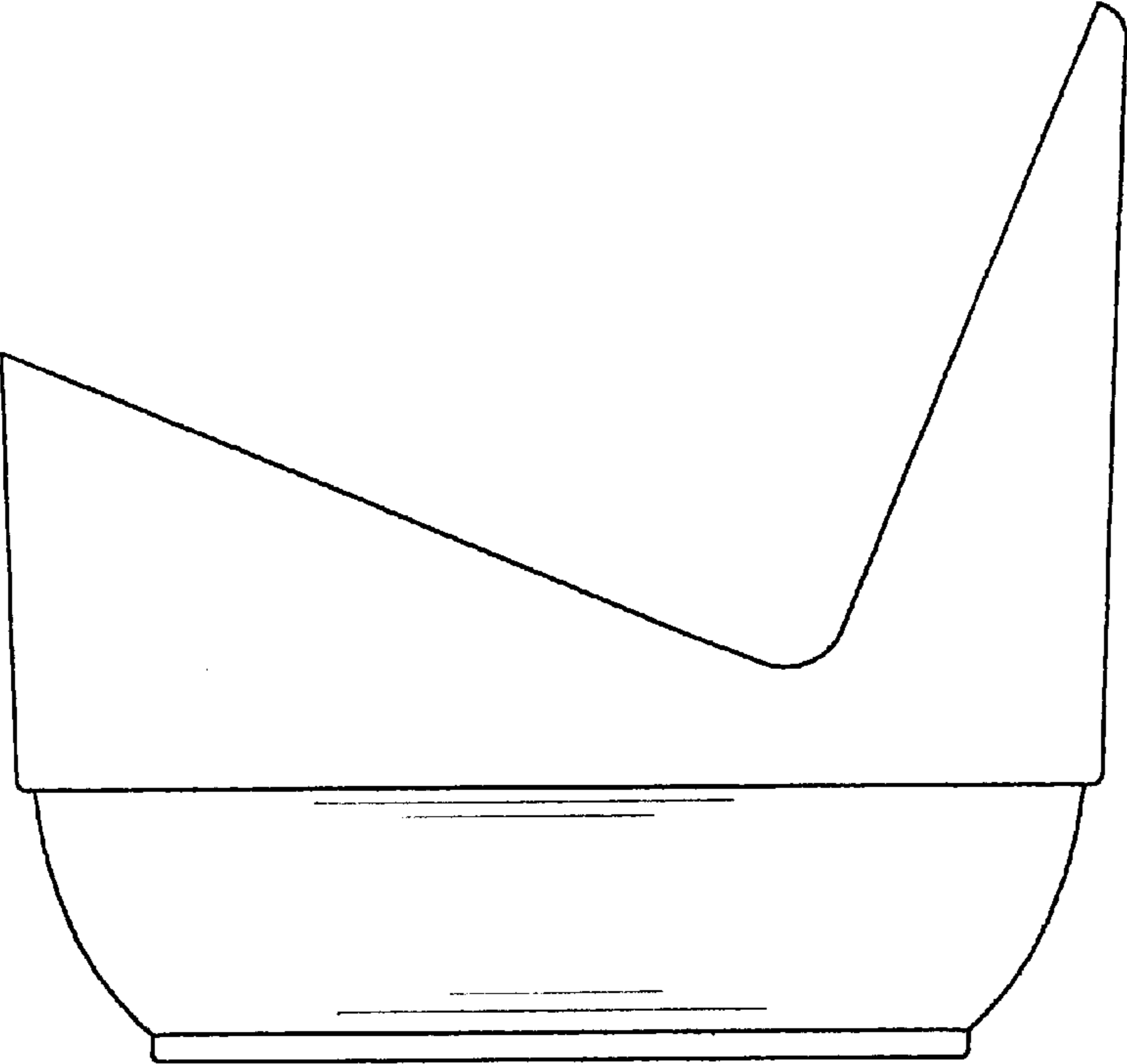


Figure 6