

US00D506834S

(12) **United States Design Patent**
Peterson et al.

(10) **Patent No.: US D506,834 S**
(45) **Date of Patent: ** Jun. 28, 2005**

(54) **MEDICAL UTILITY RAIL**

6,243,993 B1 * 6/2001 Swensson 52/36.1

(75) Inventors: **Michael J. Peterson**, Nashville, TN
(US); **Mark J. Vesligaj**, Nashville, TN
(US)

(73) Assignee: **Dialysis Systems, Inc.**, Nashville, TN
(US)

(**) Term: **14 Years**

(21) Appl. No.: **29/181,245**

(22) Filed: **May 7, 2003**

(51) **LOC (8) Cl.** **24-01**

(52) **U.S. Cl.** **D24/234**

(58) **Field of Search** D24/232, 234,
D24/185; D25/58; 174/48; 52/36.1, 28,
220, 36.4, 36.5, 220.1, 287.1, 27

(56) **References Cited**

U.S. PATENT DOCUMENTS

- 3,769,502 A * 10/1973 Schultz et al. 52/28
- 3,921,345 A * 11/1975 Damico 52/28
- 4,338,485 A * 7/1982 Fullenkamp et al. 174/48
- 4,354,330 A * 10/1982 Schwartz 52/28
- 4,753,055 A * 6/1988 Durham, Jr. 52/28
- D390,967 S * 2/1998 Beuster et al. D24/234

OTHER PUBLICATIONS

AMICO Corporation, Product Catalog (Jun. 2000) Canada.
AMICO Corporation, Brochure, *Medical Gas Systems* (Jun.
2002) Canada.

* cited by examiner

Primary Examiner—Ian Simmons

(74) *Attorney, Agent, or Firm*—Waddley & Patterson;
Lucian Wayne Beavers

(57) **CLAIM**

What is claimed is the ornamental design for a medical
utility rail, as shown and described.

DESCRIPTION

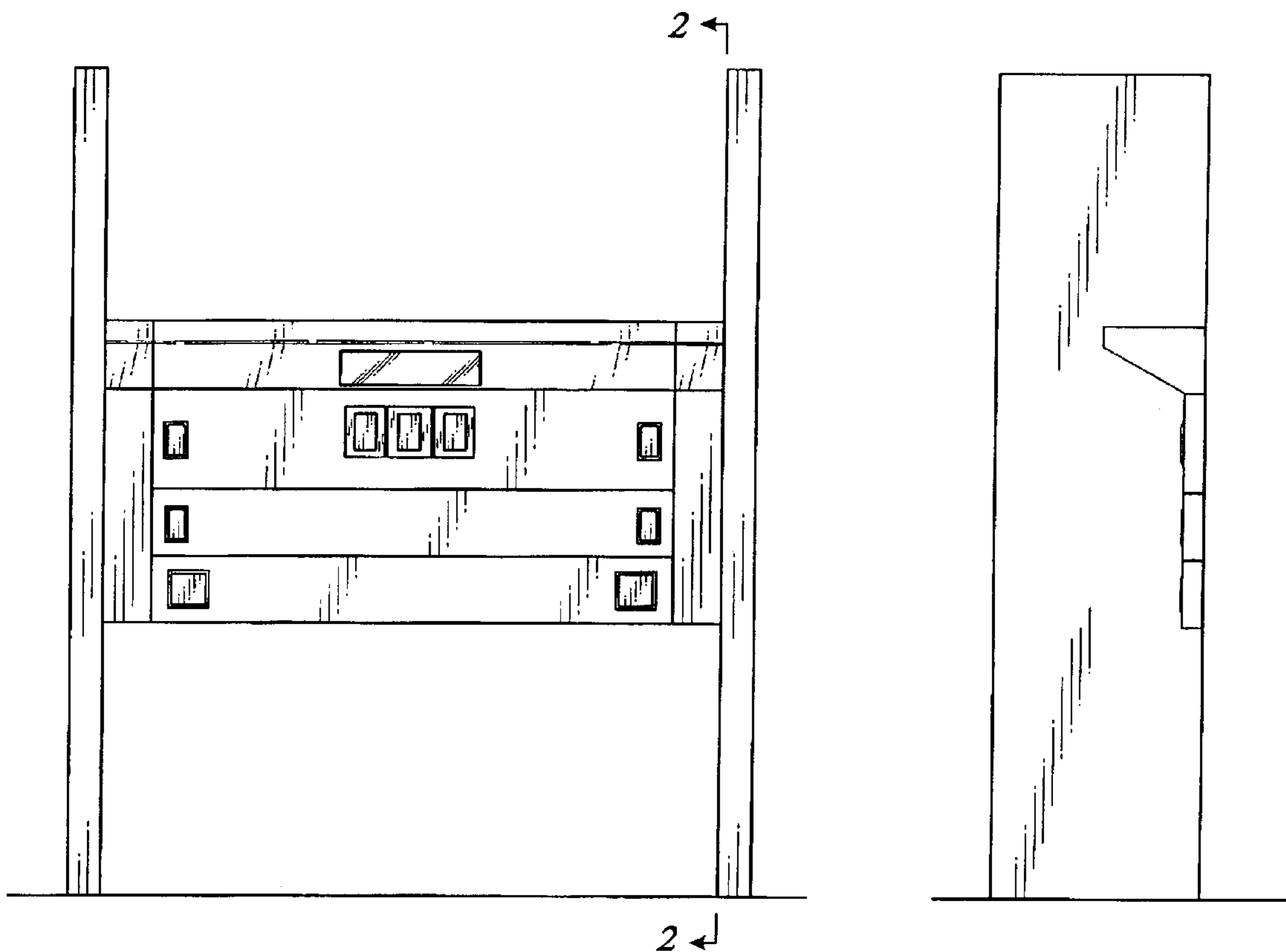
FIG. 1 is a front elevation view showing the medical utility
rail of Applicant's invention.

FIG. 2 is a side cross-sectional view of the medical utility
rail of Applicant's invention, taken along lines 2—2.

FIG. 3 is a side elevation view of the medical utility rail of
Applicant's invention; and,

FIG. 4 is a top plan view of the medical utility rail of
Applicant's invention.

1 Claim, 2 Drawing Sheets



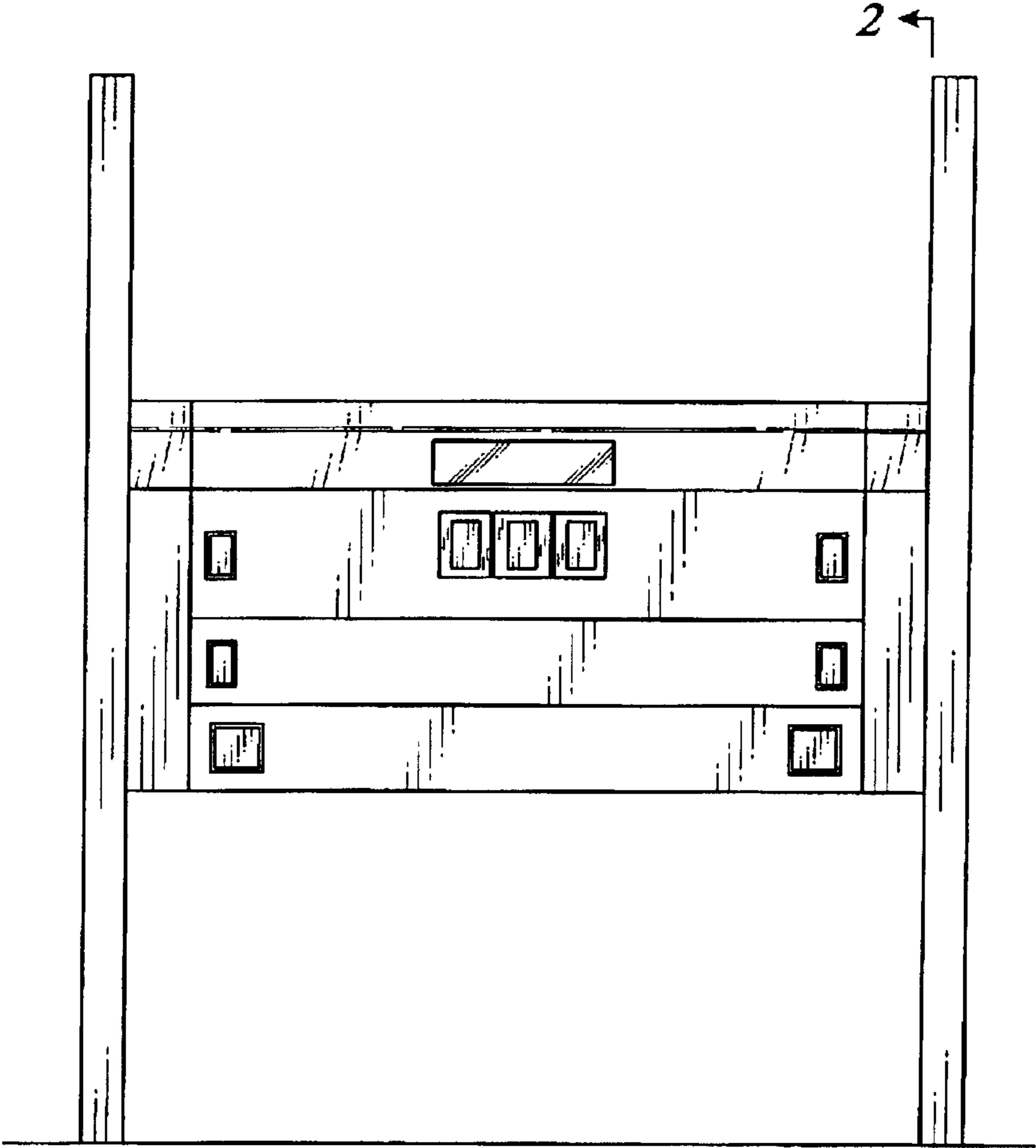


FIG. 1

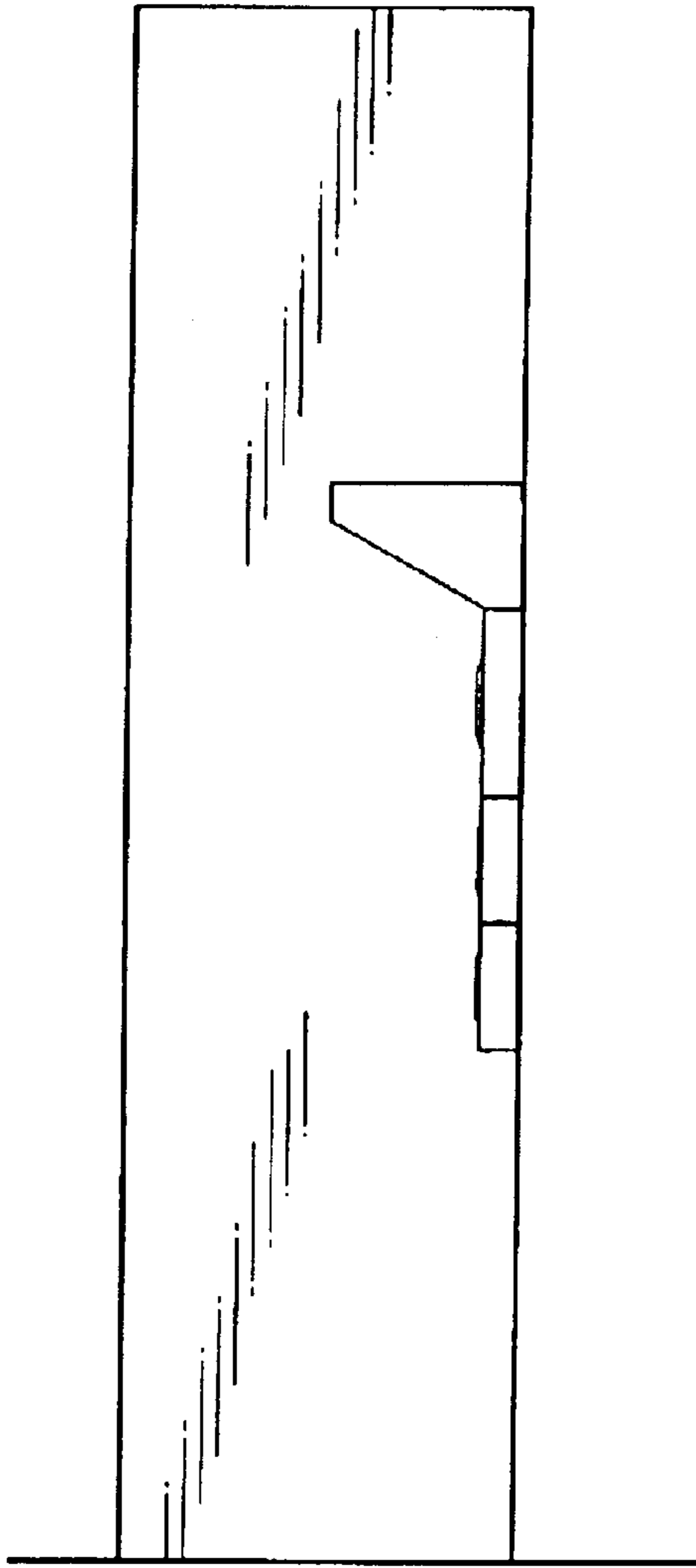


FIG. 2

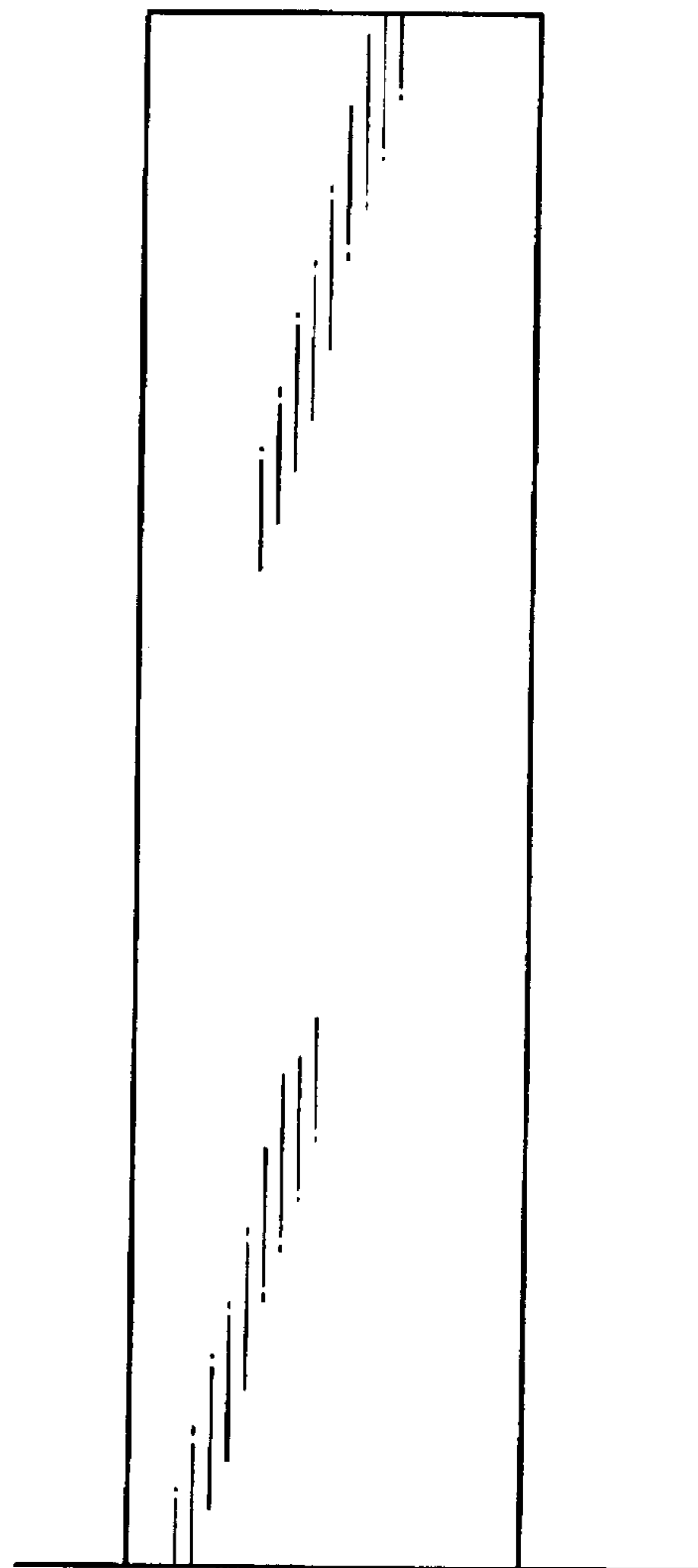


FIG. 3

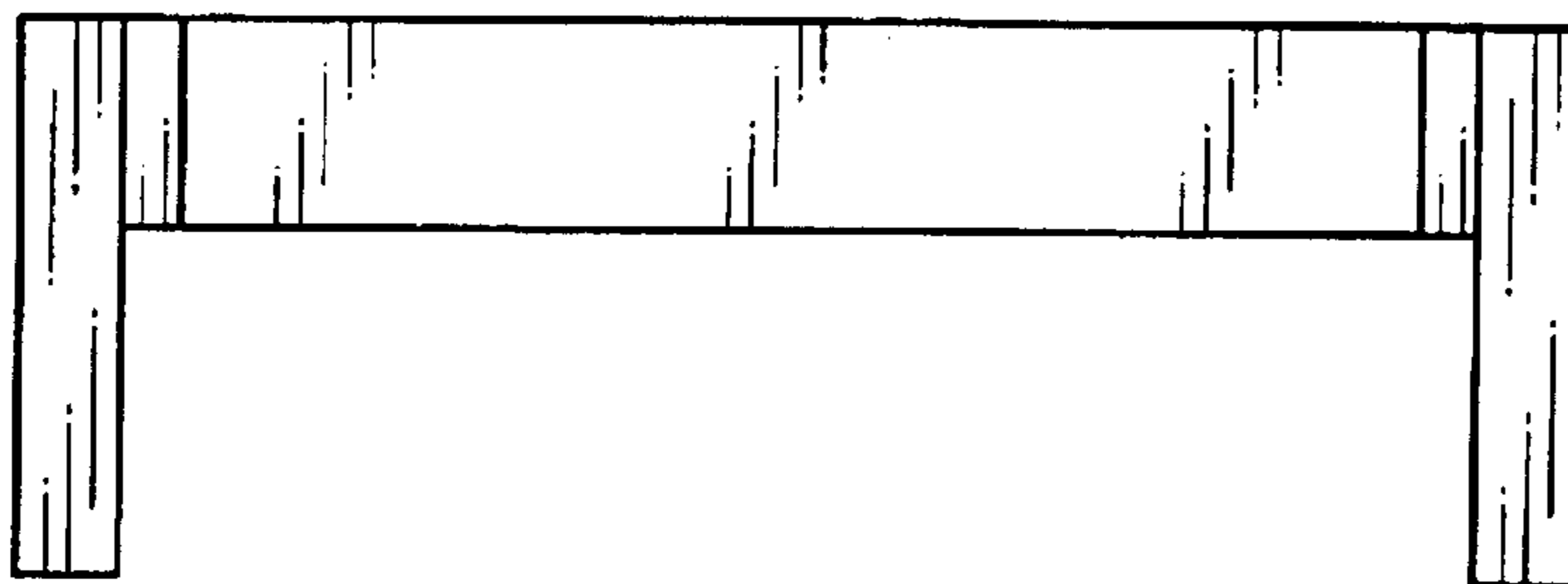


FIG. 4