

US00D506830S

(12) **United States Design Patent**
Zimmermann

(10) **Patent No.:** **US D506,830 S**
(45) **Date of Patent:** **** Jun. 28, 2005**

(54) **FOOTBATH**

(75) **Inventor:** **Dirk Hagen Zimmermann, Dusseldorf (DE)**

(73) **Assignee:** **Wik Far East Ltd., Hong Kong (CN)**

(**) **Term:** **14 Years**

(21) **Appl. No.:** **29/198,786**

(22) **Filed:** **Feb. 4, 2004**

(30) **Foreign Application Priority Data**

Aug. 6, 2003 (DE) 403 05 195

(51) **LOC (8) Cl.** **24-03**

(52) **U.S. Cl.** **D24/204; D24/213; D24/205**

(58) **Field of Search** **D24/200-205, D24/210-213; 601/6, 15, 64, 157-158, 30-32; 607/144; 4/622, 574.1**

(56) **References Cited**

U.S. PATENT DOCUMENTS

3,965,495	A	*	6/1976	McNair	4/622
D242,292	S	*	11/1976	Miller	D24/205
D250,206	S	*	11/1978	Levin	D24/205
4,497,313	A	*	2/1985	Kurosawa	D24/213
4,513,735	A	*	4/1985	Friedson et al.	601/15
D285,003	S	*	8/1986	Madl	D24/205
D327,949	S	*	7/1992	Bucher	D24/205
D363,555	S	*	10/1995	Lie	D24/213
D405,535	S	*	2/1999	Schulz	D24/213
D453,836	S	*	2/2002	Gillette et al.	D24/213
D463,030	S	*	9/2002	Ferber	D24/213

D471,638	S	*	3/2003	Ferber	D24/213
6,568,000	B1	*	5/2003	Kaufman et al.	4/622
6,725,471	B2	*	4/2004	Ferber et al.	4/622

OTHER PUBLICATIONS

Brookstone Catalogue; Holiday 2001; p. 47; Massaging Foot Bath and Spa; bottom right corner of page; from Google Catalogues.*

* cited by examiner

Primary Examiner—Cathy Anne MacCormac

Assistant Examiner—Melanie Levy

(74) *Attorney, Agent, or Firm*—Margaret Polson; Patent Law Offices of Rick Martin, P.C.

(57) **CLAIM**

The ornamental design for a footbath, as shown and described.

DESCRIPTION

FIG. 1 is a top front perspective view of my new design for a footbath.

FIG. 2 is a top plan view thereof;

FIG. 3 is a bottom plan view thereof;

FIG. 4 is a front elevational view thereof;

FIG. 5 is a rear elevational view thereof;

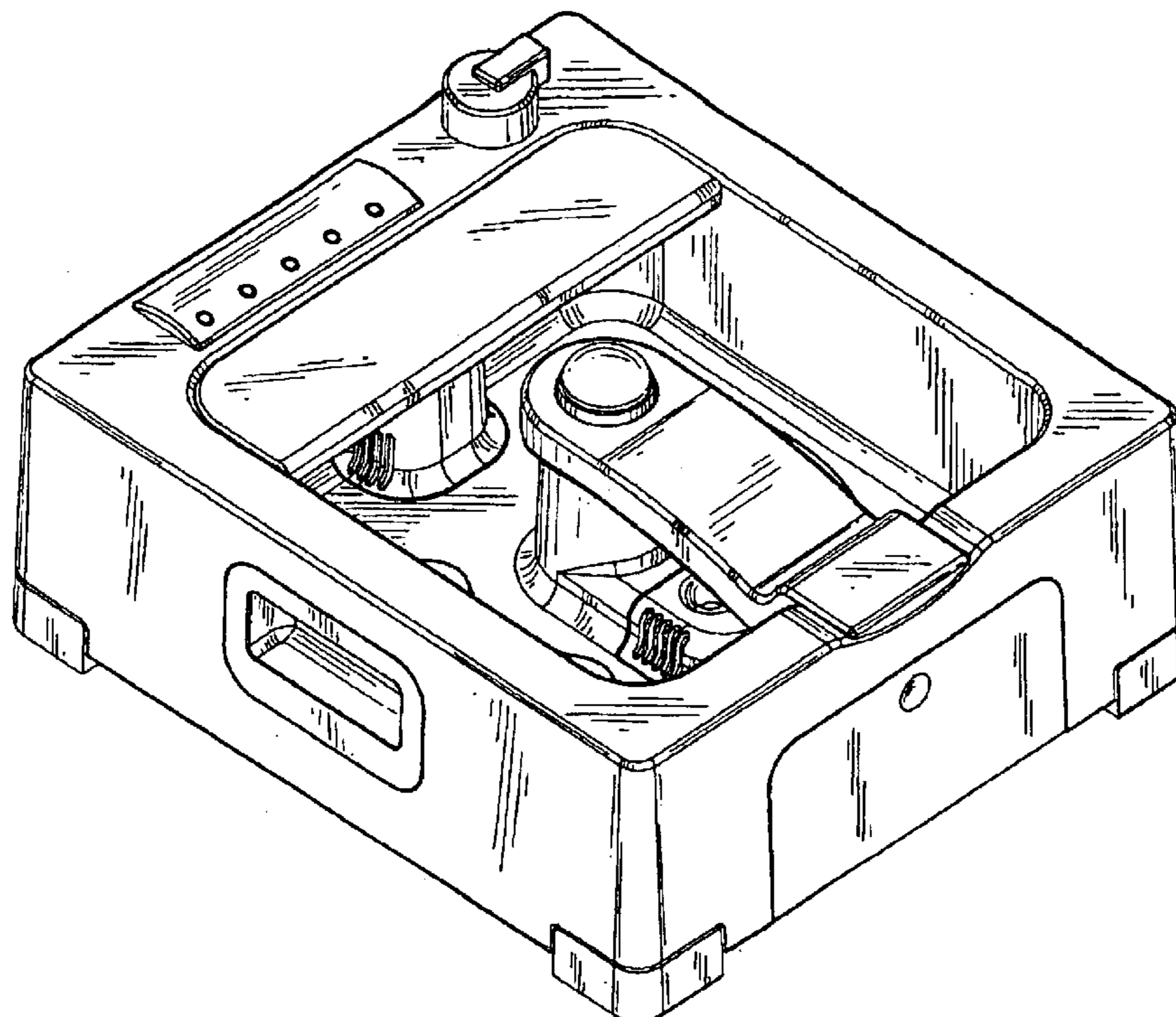
FIG. 6 is a right side elevational view thereof;

FIG. 7 is a left side elevational view thereof;

FIG. 8 is a top rear perspective view thereof; and,

FIG. 9 is a top front perspective view with the storage door shown in an alternate position.

1 Claim, 4 Drawing Sheets



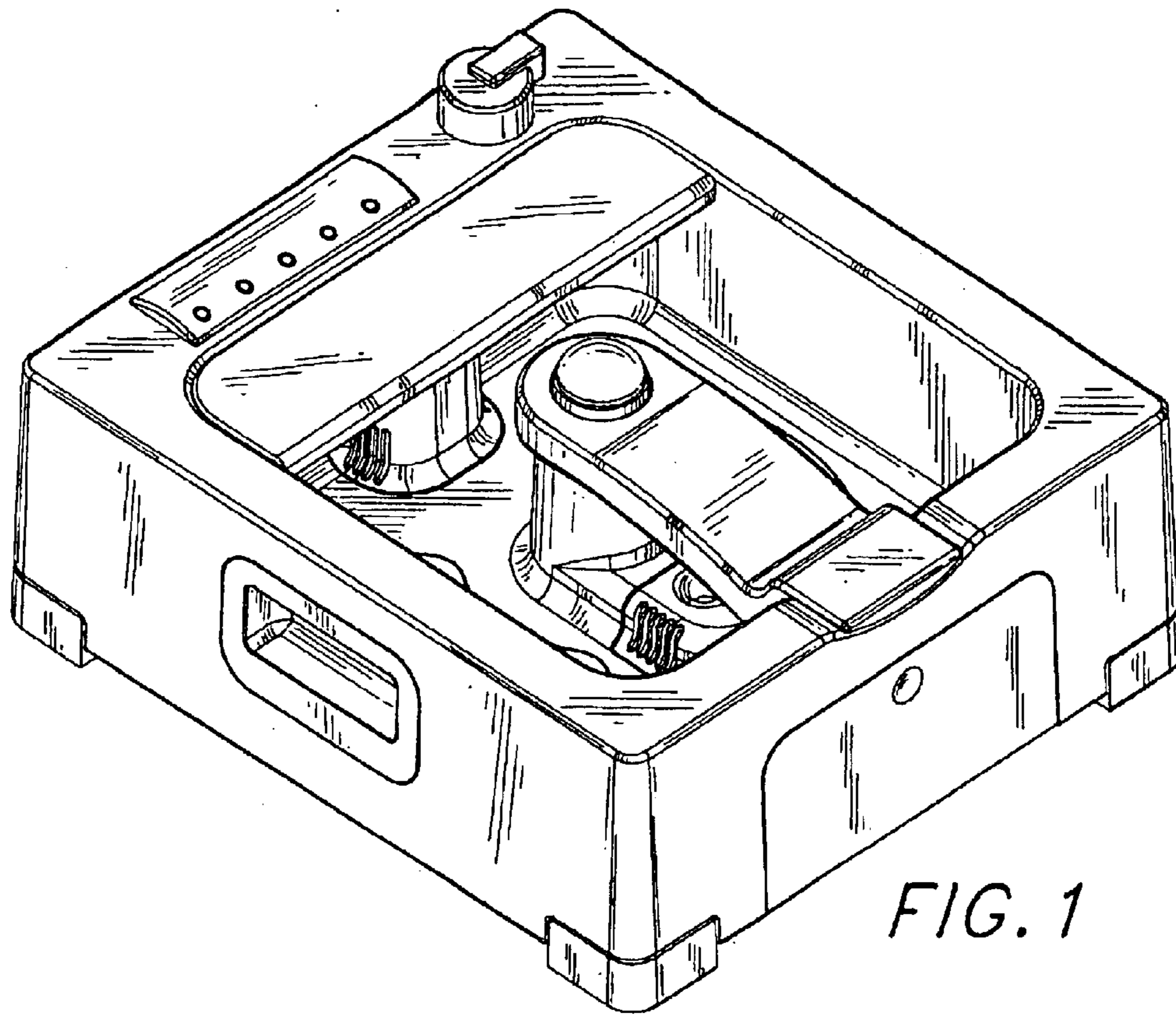


FIG. 1

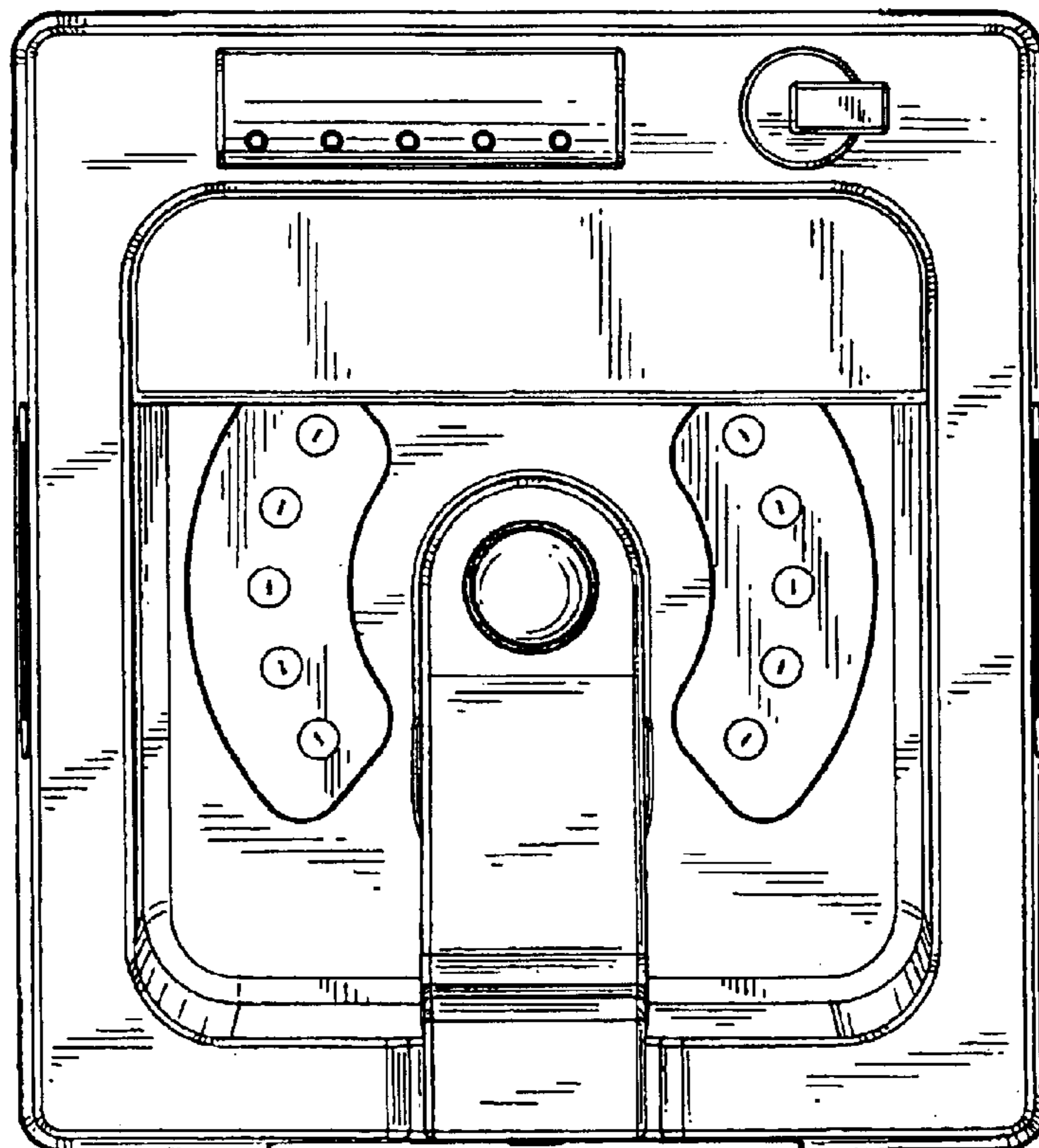


FIG. 2

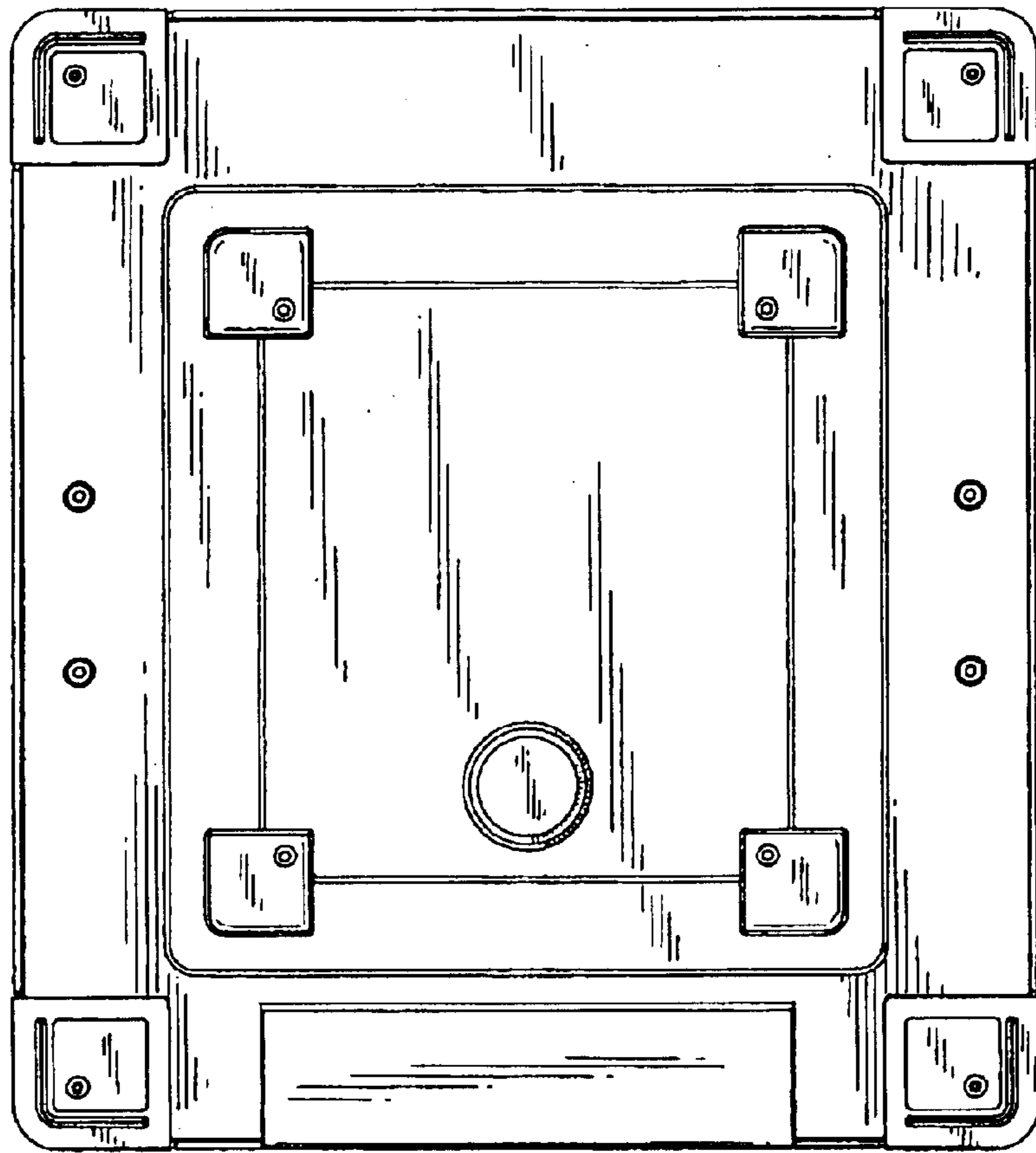


FIG. 3

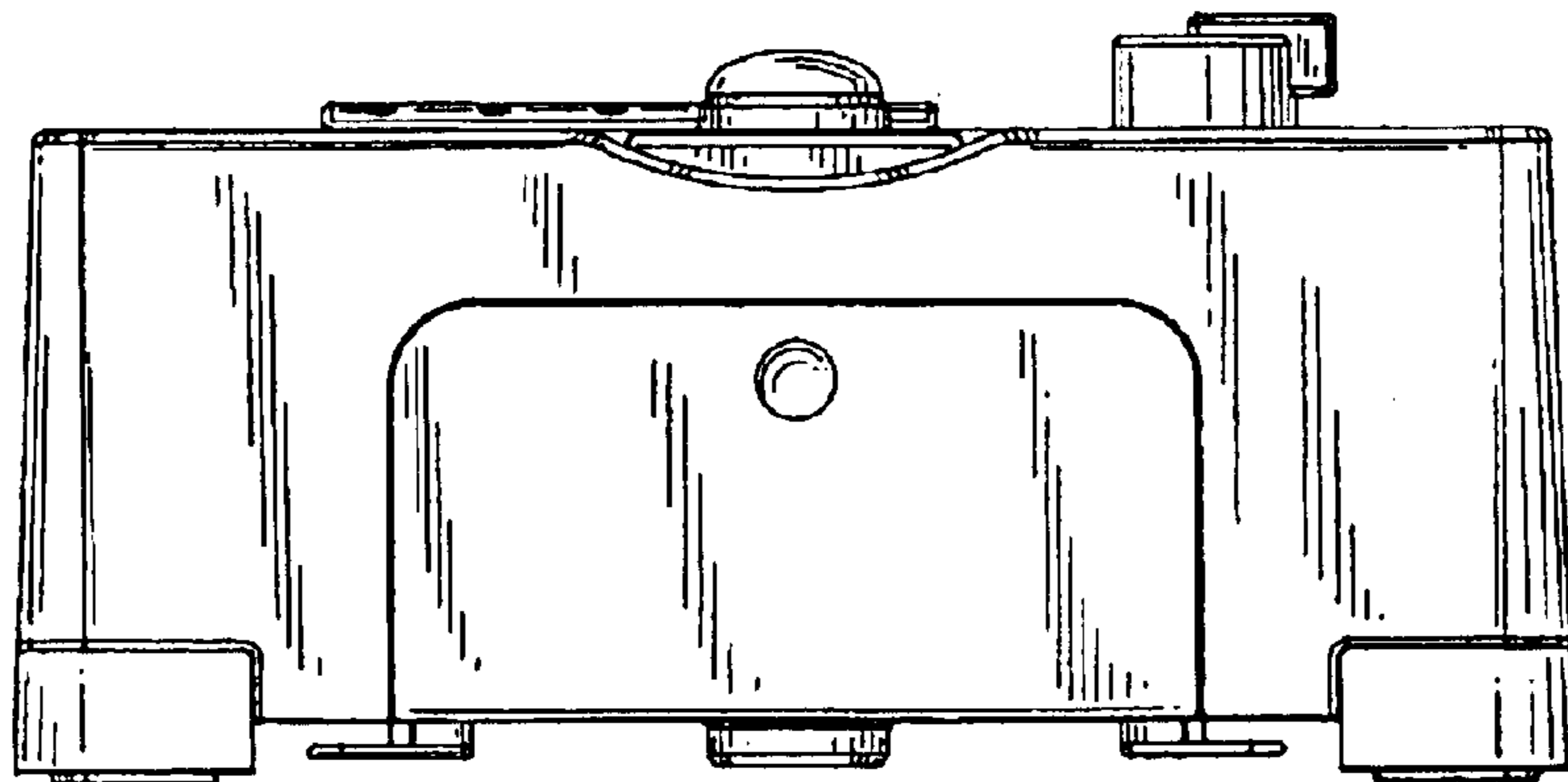


FIG. 4

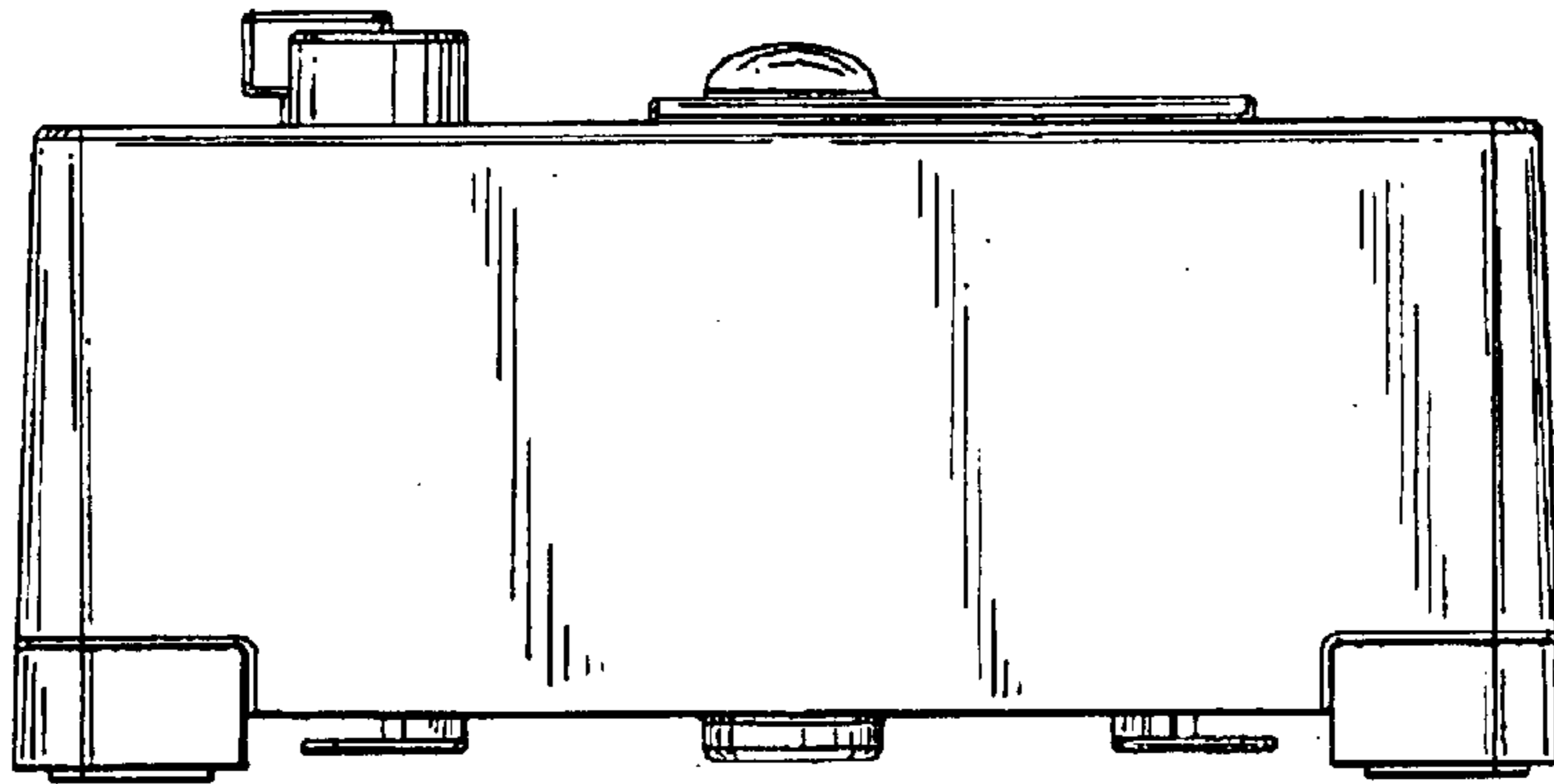


FIG. 5

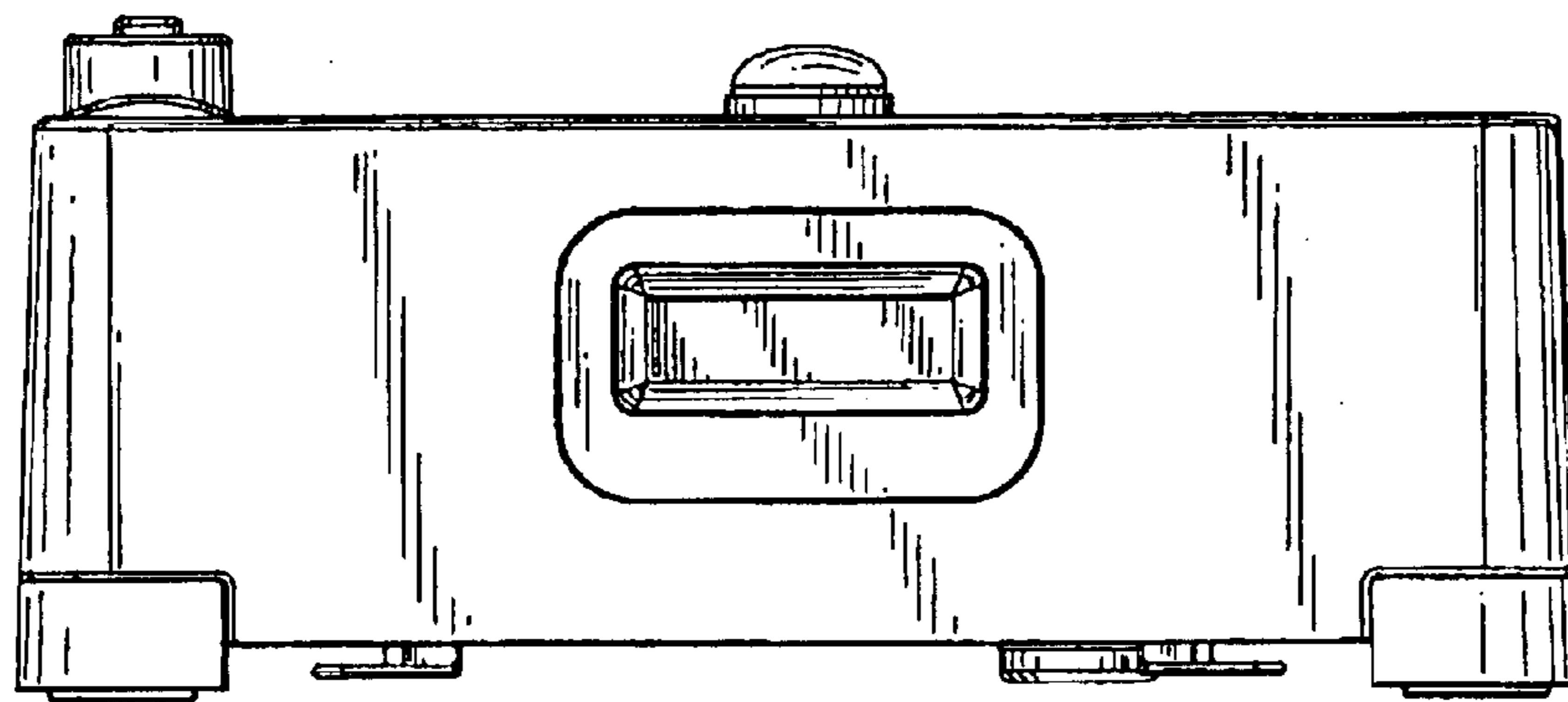


FIG. 6

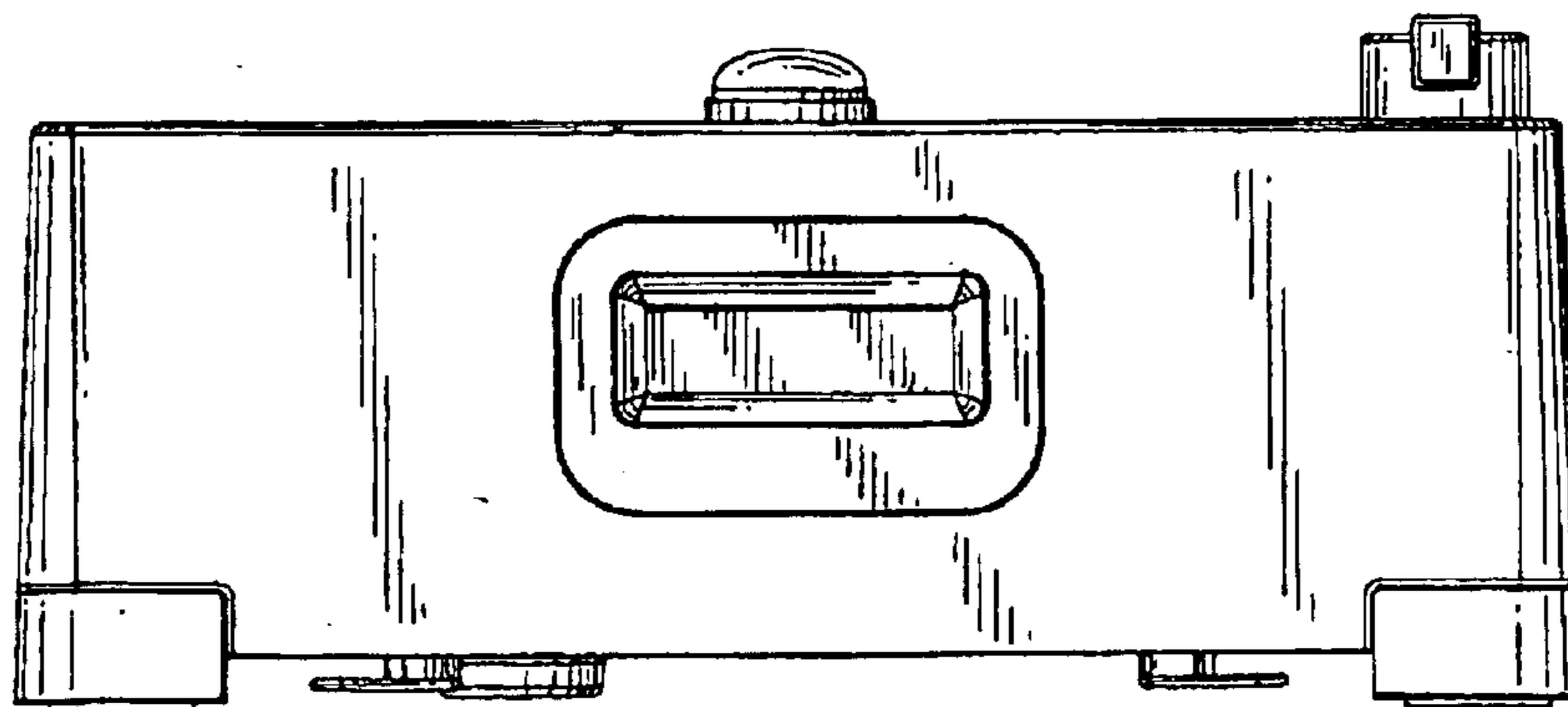


FIG. 7

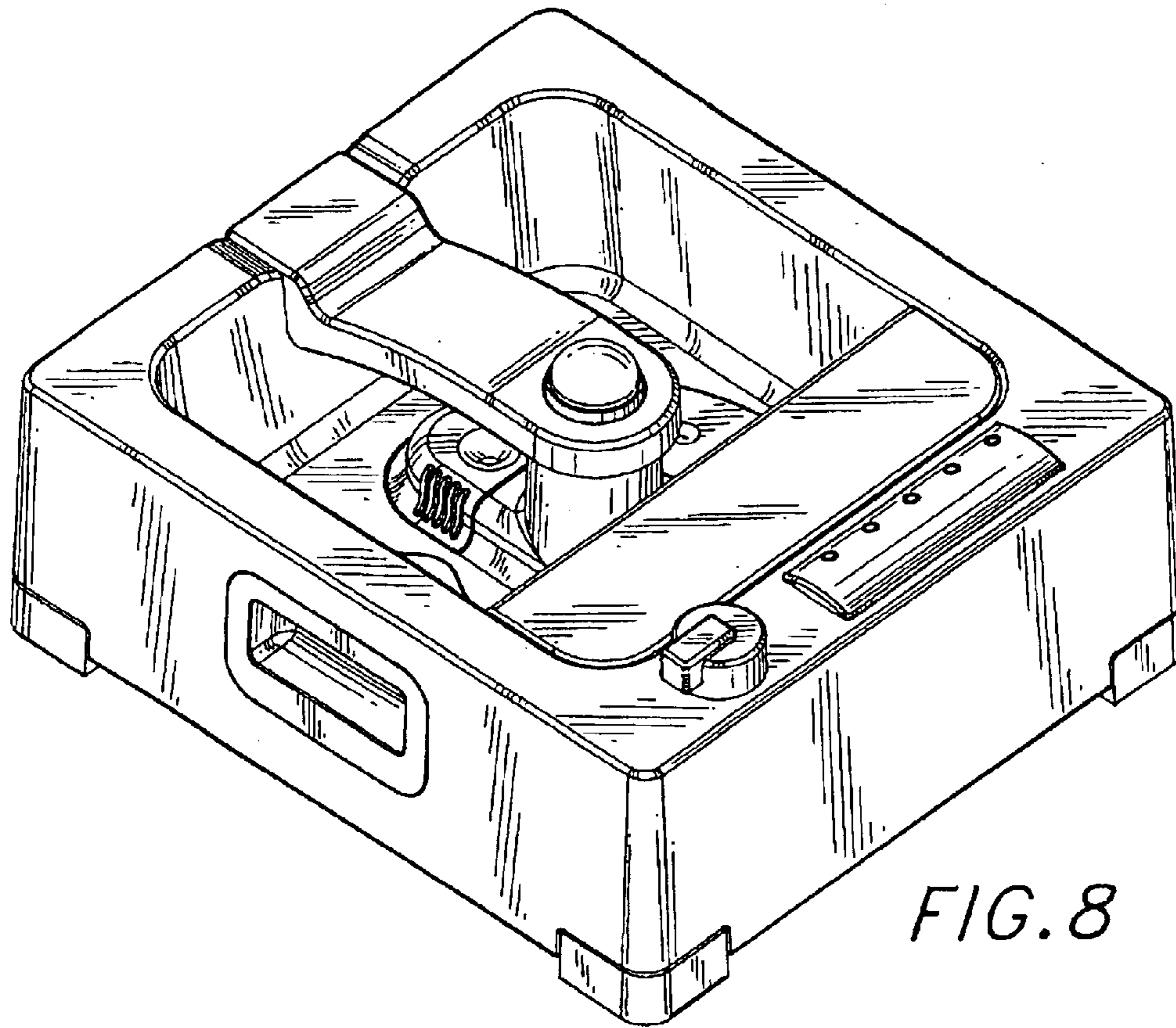


FIG. 8

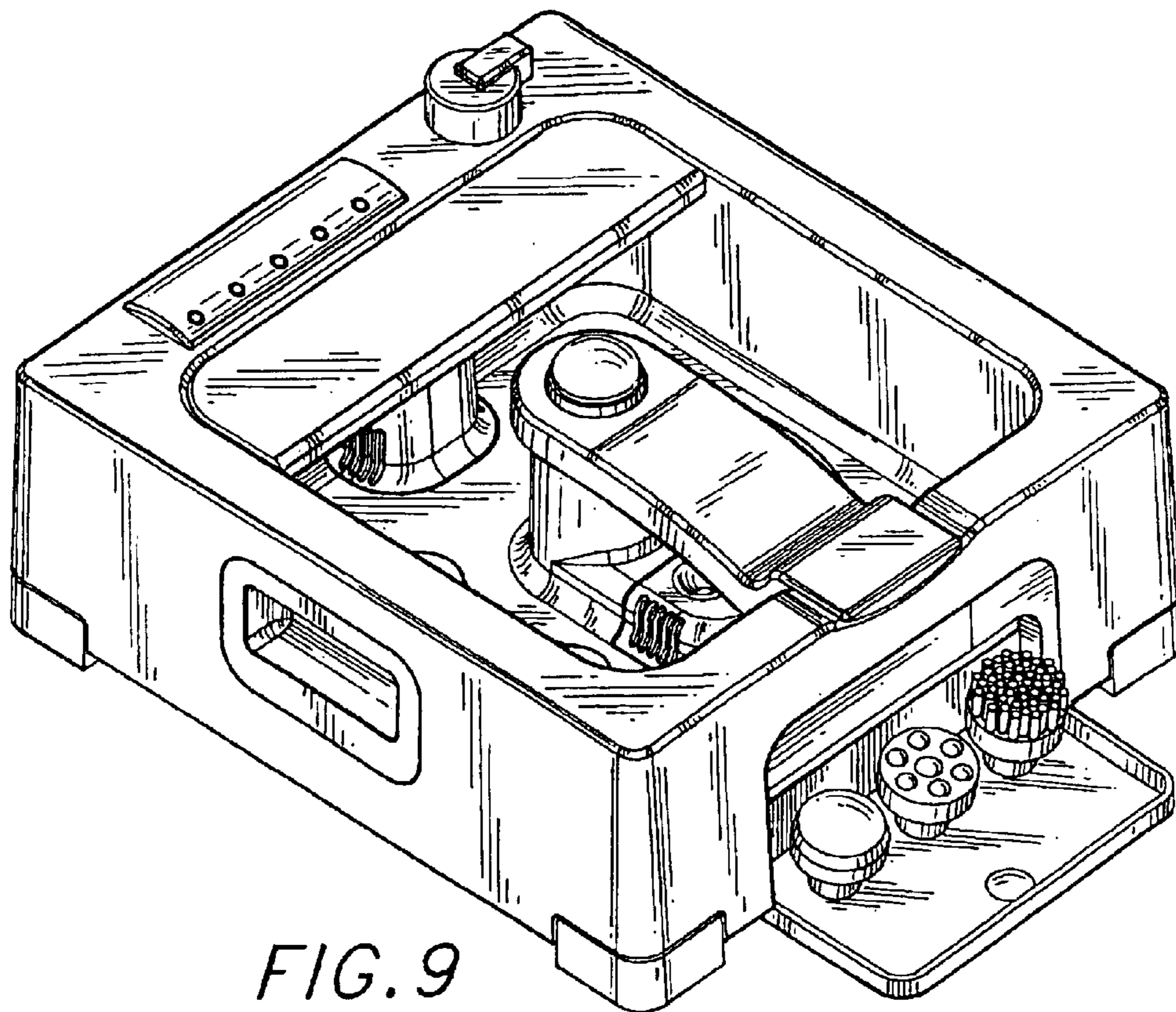


FIG. 9