

US00D506827S

(12) **United States Design Patent**
Jones et al.

(10) **Patent No.: US D506,827 S**
(45) **Date of Patent: ** Jun. 28, 2005**

(54) **NASAL MASK**

D486,226 S * 2/2004 Guney et al. D24/110.1
2003/0089373 A1 * 5/2003 Gradon et al. 128/206.27

(75) Inventors: **Michael Andrew Jones**, Dundas (AU);
Amal Shirley Amarasinghe, West
Pennant Hills (AU); **Timothy Tsun-Fai
Fu**, Carlingford (AU); **Perry David
Lithgow**, Glenwood (AU); **Jim Saada**,
Kellyville (AU); **Fiachra Sweeney**,
North Bondi (AU)

FOREIGN PATENT DOCUMENTS

EP 1 057 494 12/2000

* cited by examiner

Primary Examiner—Ian Simmons
(74) *Attorney, Agent, or Firm*—Nixon & Vanderhye P.C.

(73) Assignee: **ResMed Limited**, North Ryde (AU)

(57) **CLAIM**

(**) Term: **14 Years**

The ornamental design for a nasal mask, as shown and described.

(21) Appl. No.: **29/180,914**

DESCRIPTION

(22) Filed: **May 2, 2003**

(51) **LOC (8) Cl.** **29-02**

(52) **U.S. Cl.** **D24/110.1; D24/110.4**

(58) **Field of Search** D24/110.1, 110.4,
D24/110.5, 164; 128/206.26, 206.24, 205.25,
207.11, 207.17, 207.13, 206.21, 206.27

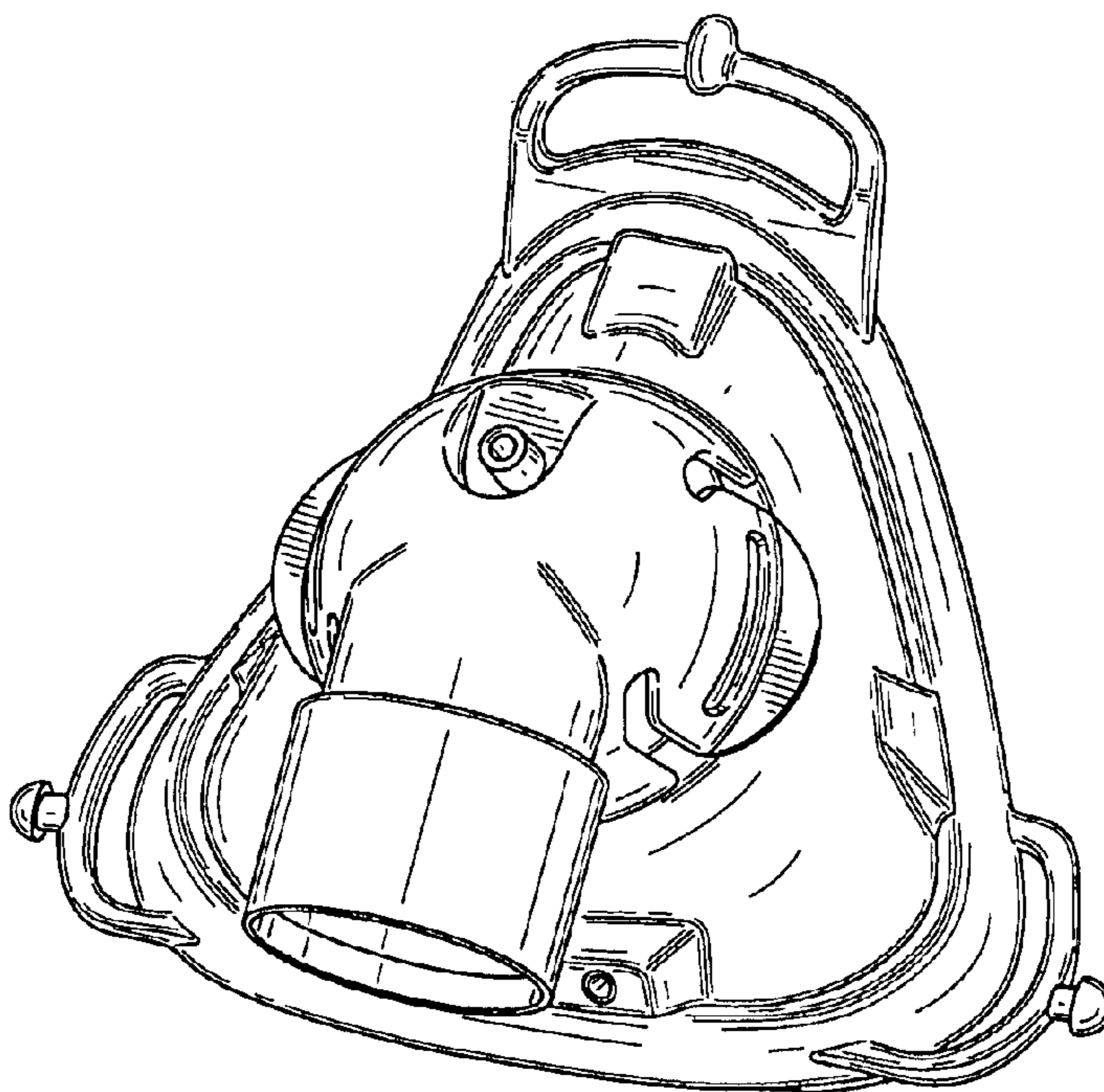
FIG. 1 is a front perspective view of a disposable nasal mask according to a first embodiment of our design;
FIG. 2 is a front view thereof;
FIG. 3 is a left side view thereof, with the right side view being a mirror image thereof;
FIG. 4 is a rear view thereof;
FIG. 5 is a bottom view thereof;
FIG. 6 is a top view thereof;
FIG. 7 is a front view of a disposable nasal mask according to a second embodiment of our design;
FIG. 8 is a left side view thereof, with the right side view being a mirror image thereof;
FIG. 9 is a rear view thereof;
FIG. 10 is a bottom view thereof; and,
FIG. 11 is a top view thereof.

(56) **References Cited**

U.S. PATENT DOCUMENTS

4,960,121 A * 10/1990 Nelson et al. 128/206.24
D322,318 S 12/1991 Sullivan
D333,015 S * 2/1993 Farmer et al. D24/110.4
D385,960 S * 11/1997 Rudolph D24/110.4
5,746,201 A 5/1998 Kidd
D448,473 S 9/2001 Barnett et al.
D468,823 S * 1/2003 Smart D24/110.1
D485,905 S * 1/2004 Moore et al. D24/110.1

1 Claim, 9 Drawing Sheets



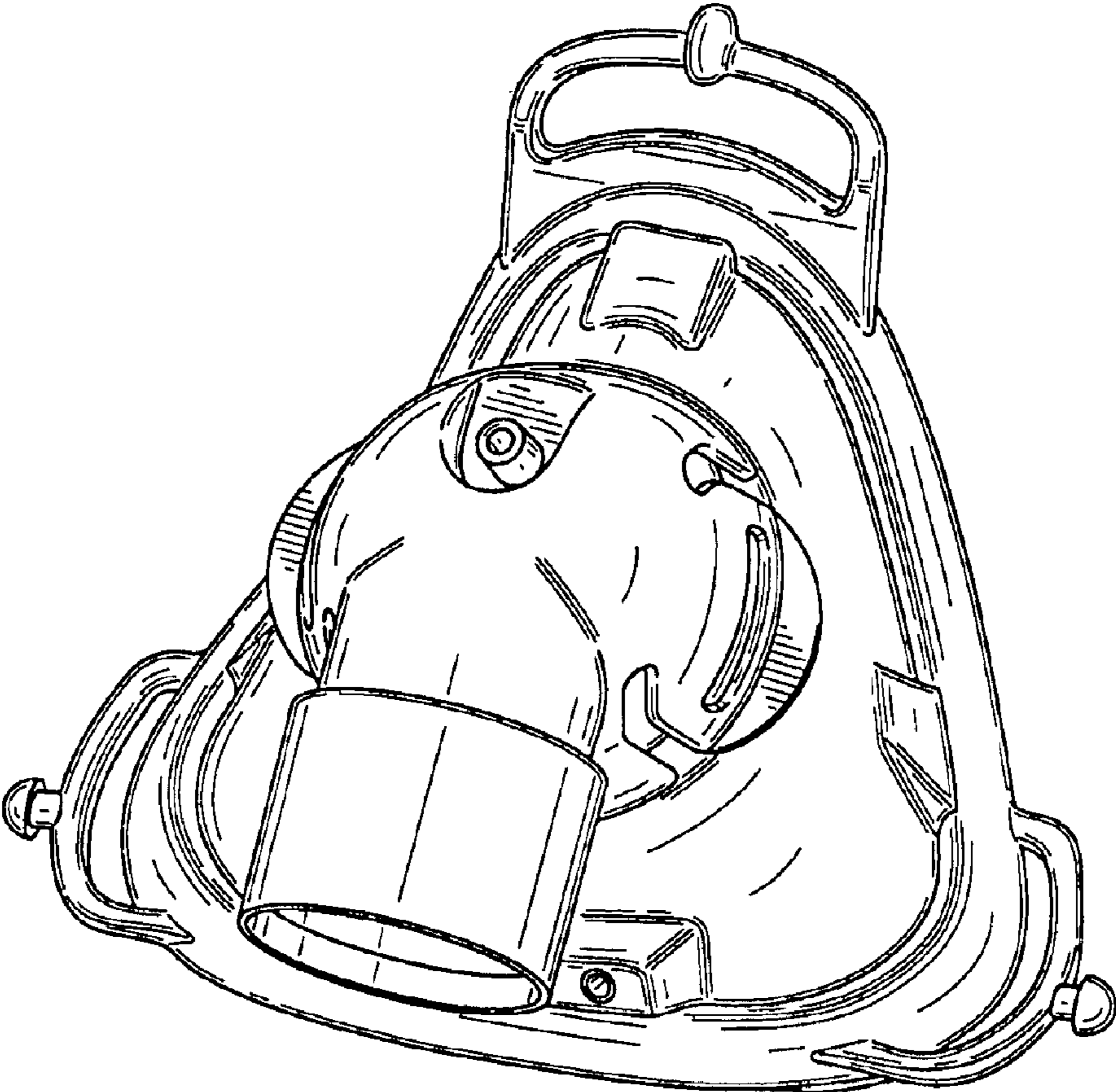


FIG. 1

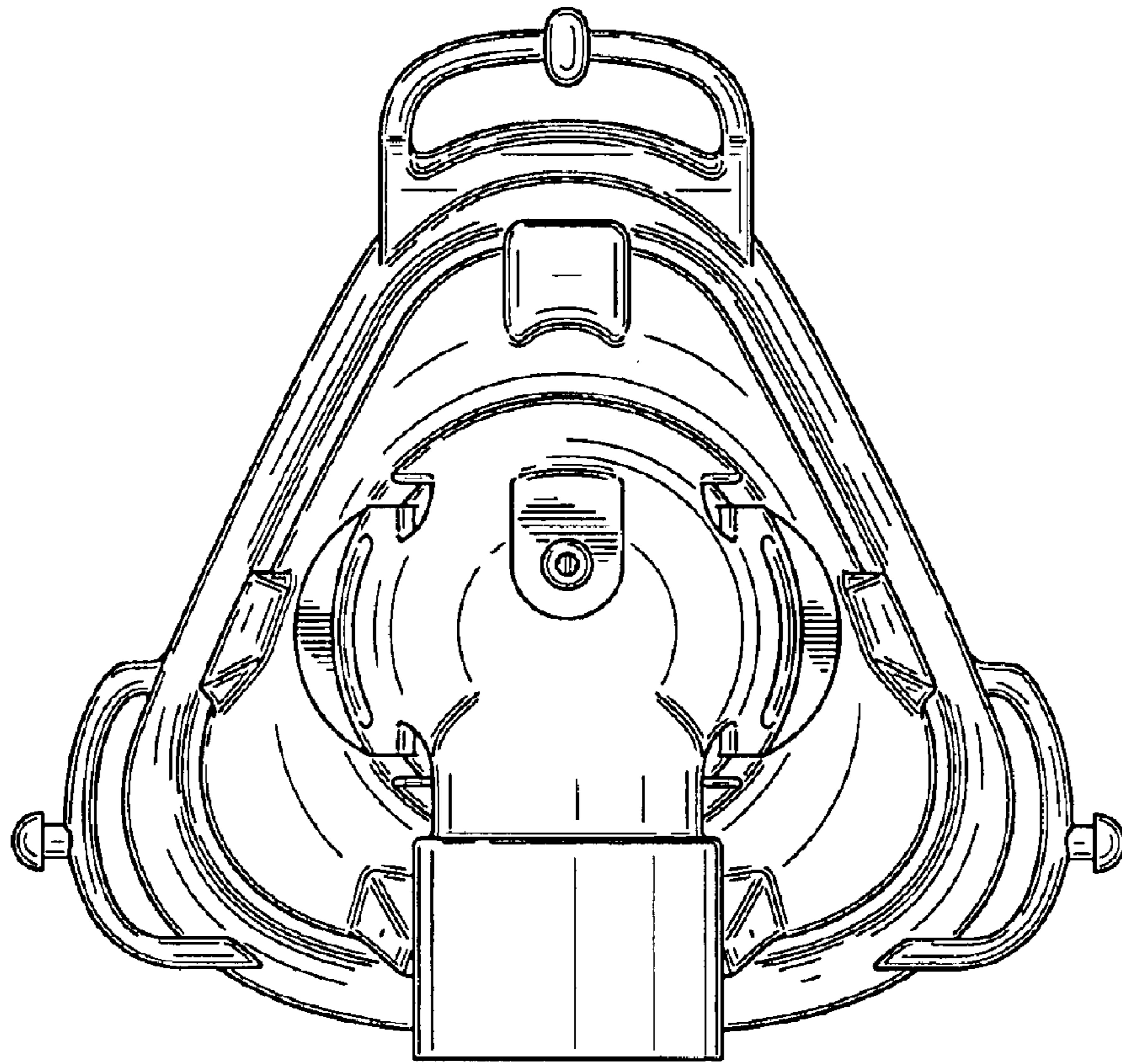


FIG. 2

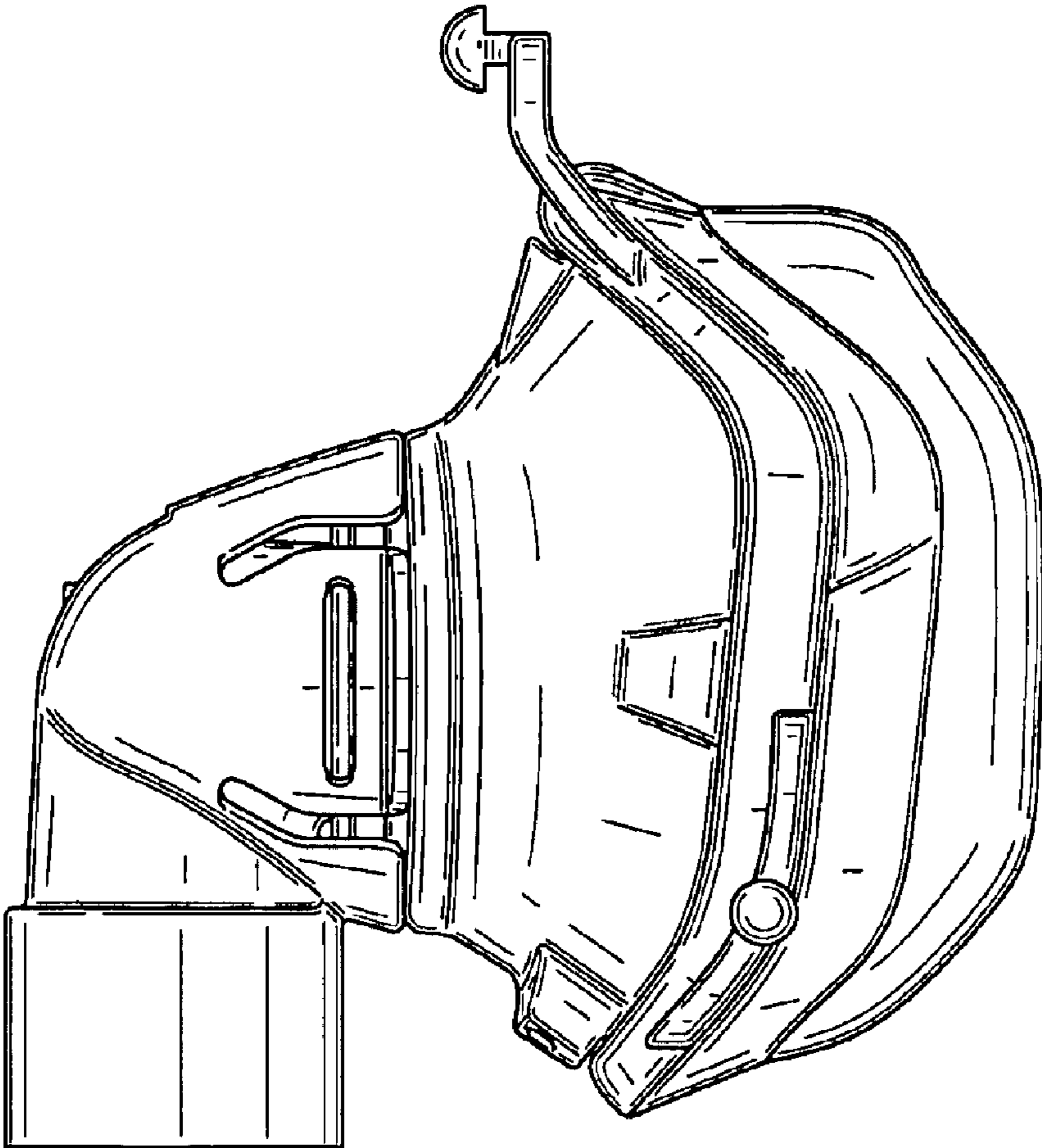


FIG. 3

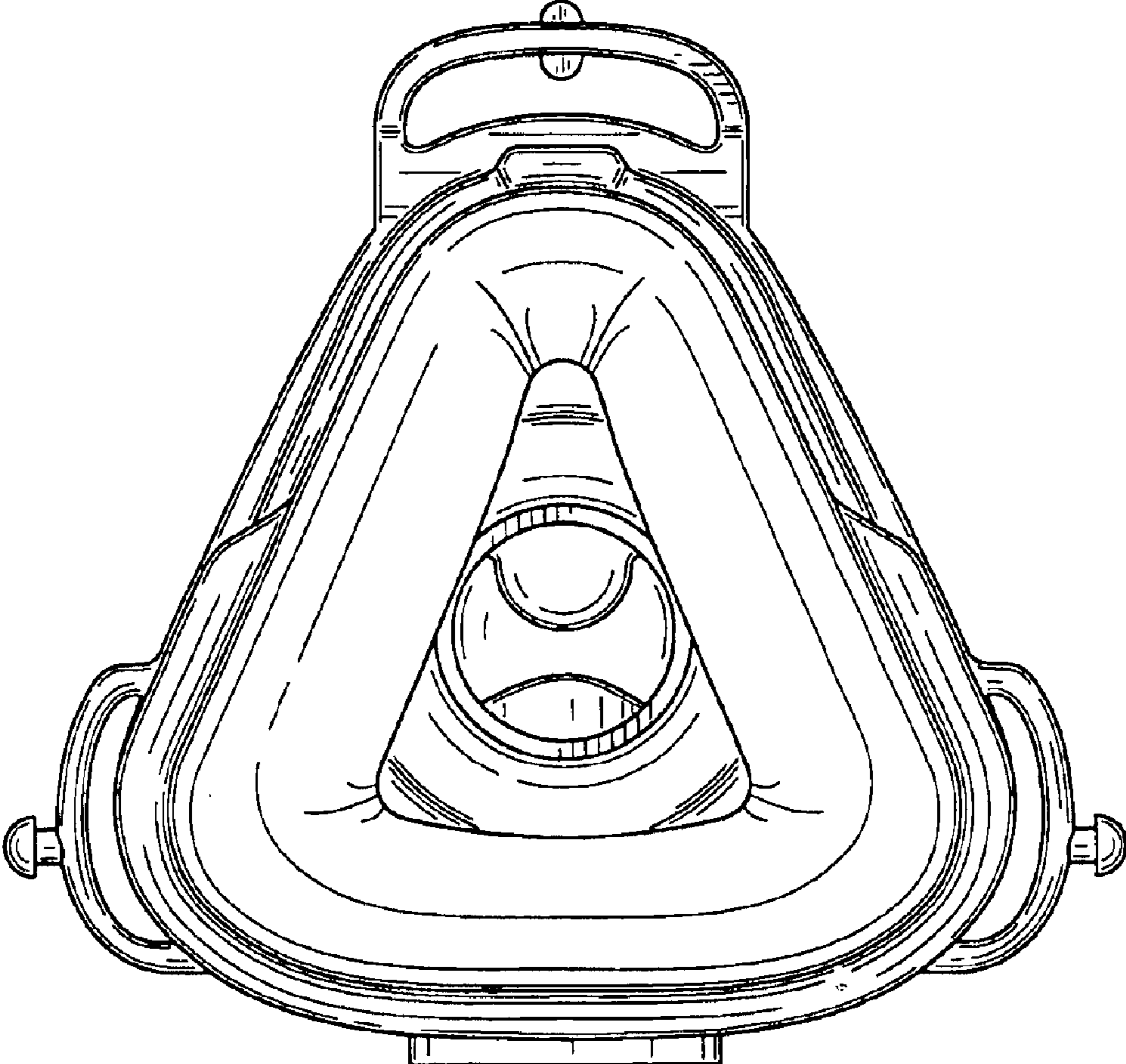


FIG. 4

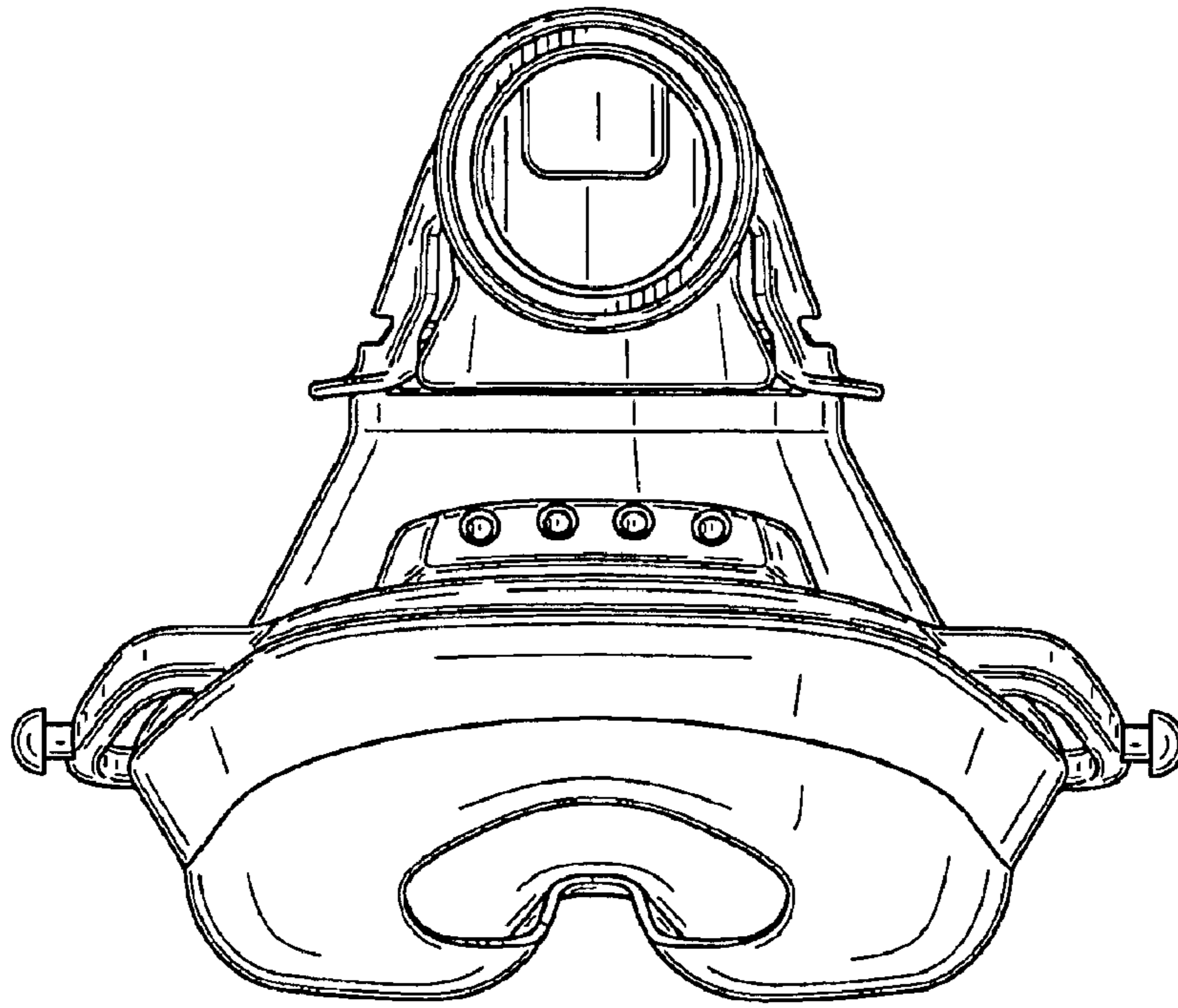


FIG. 5

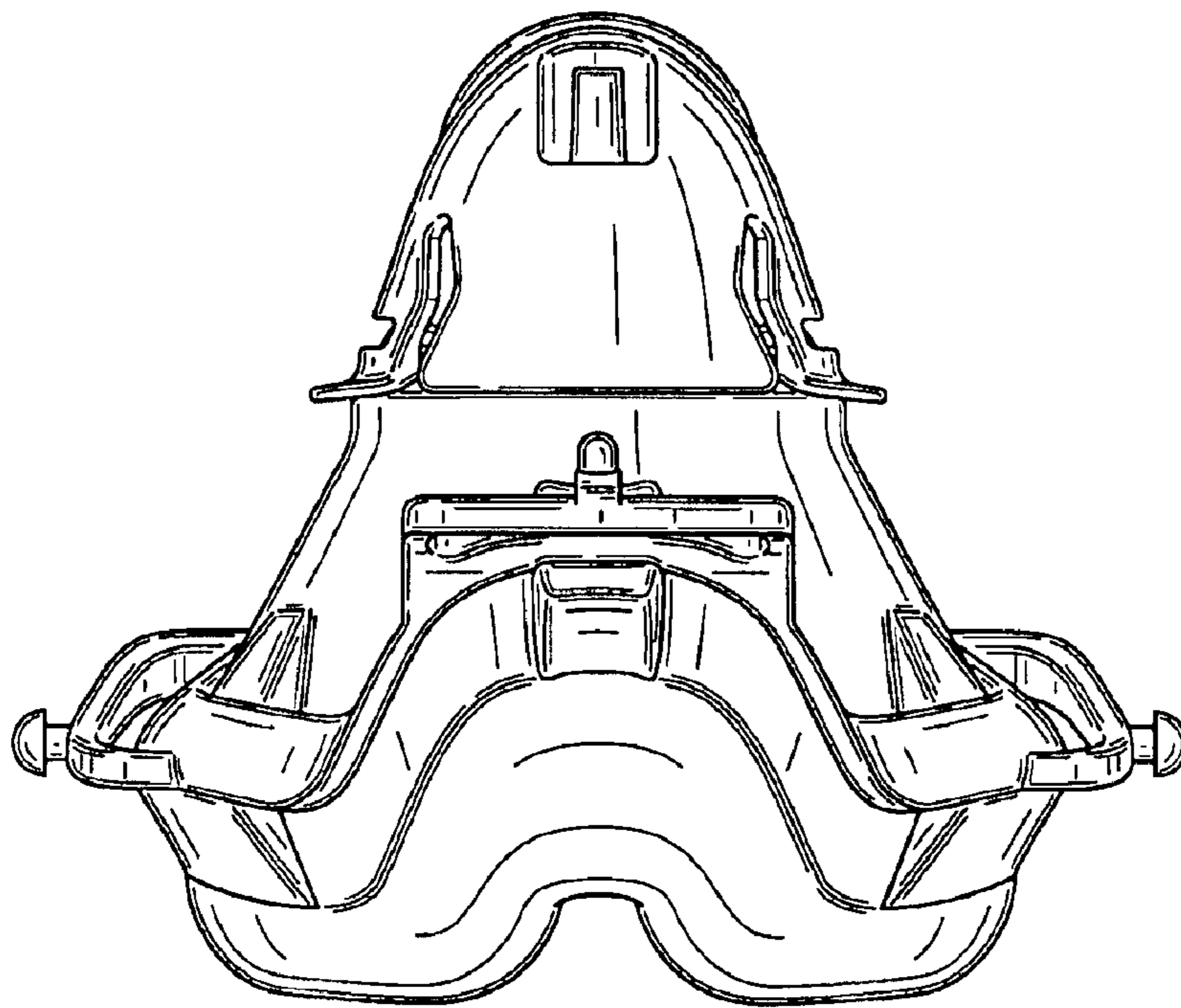


FIG. 6

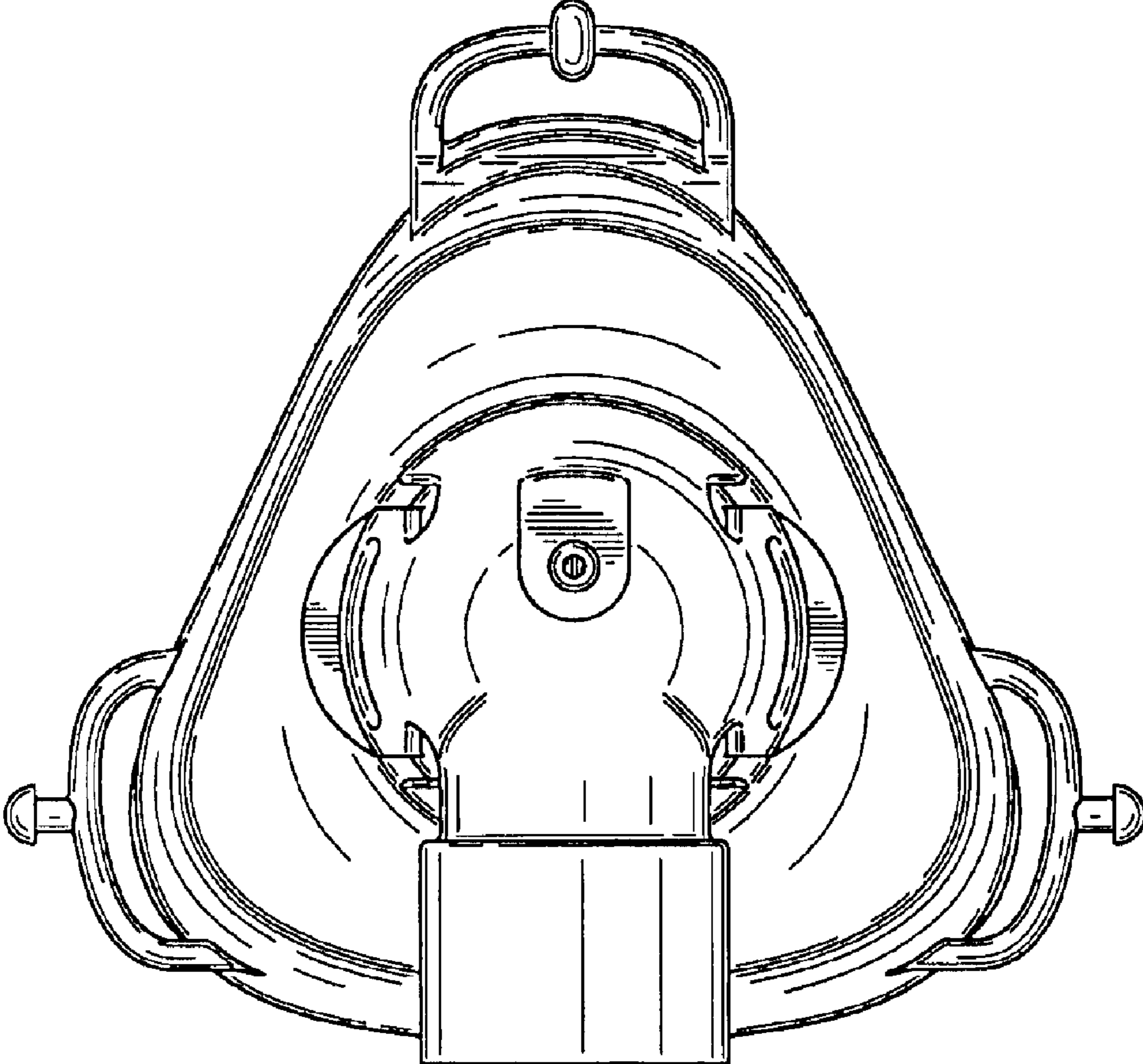


FIG. 7

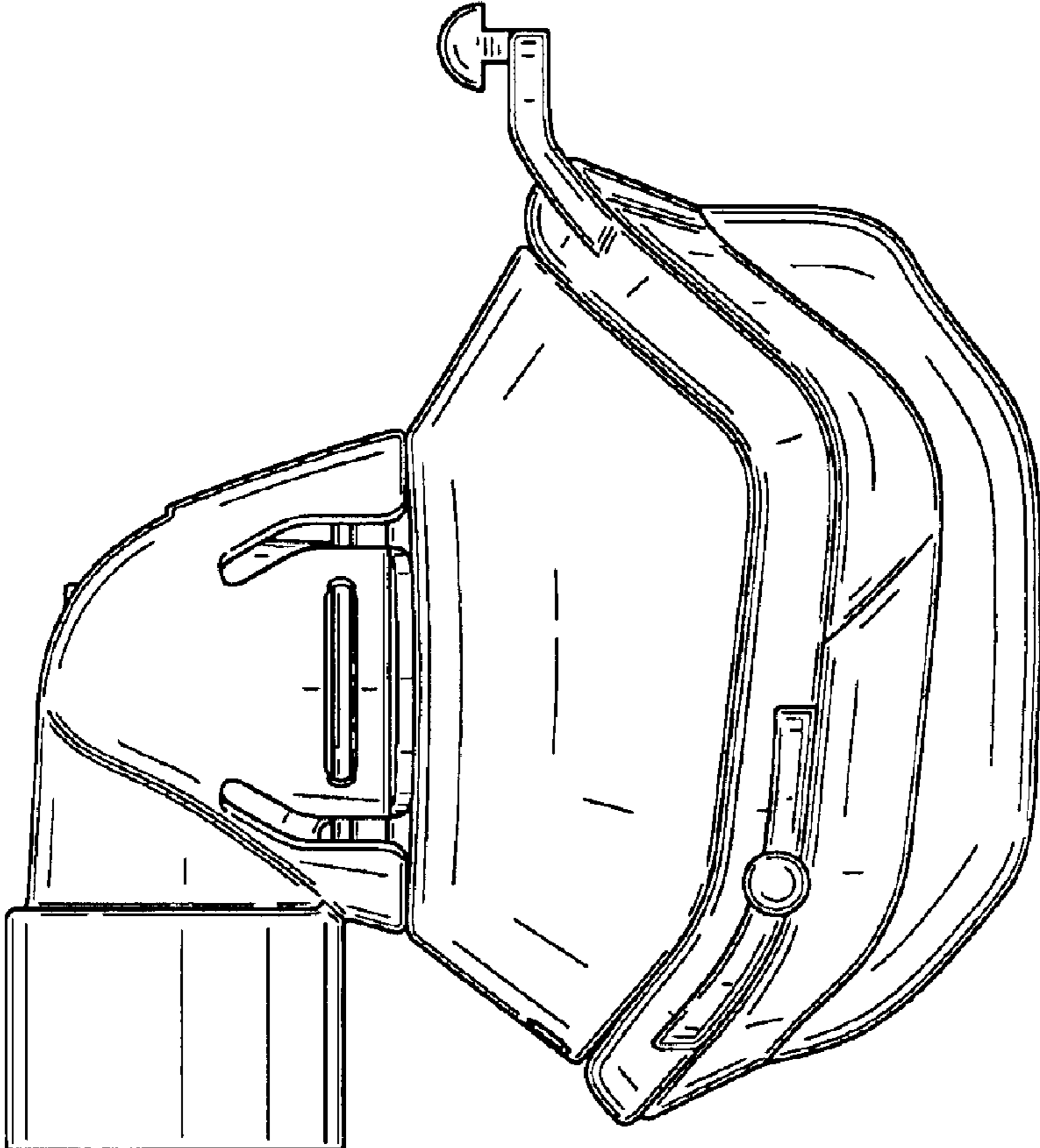


FIG. 8

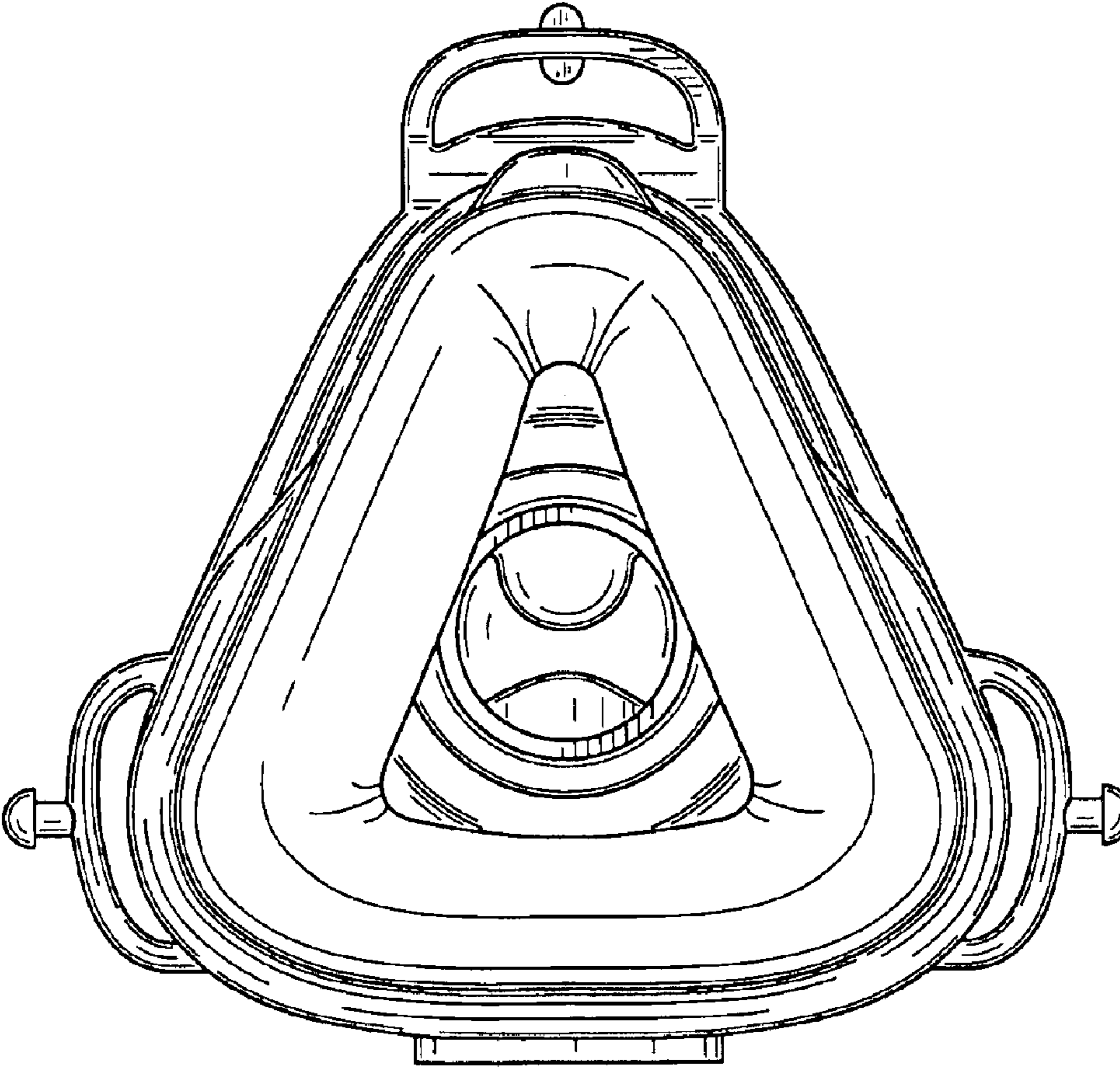


FIG. 9

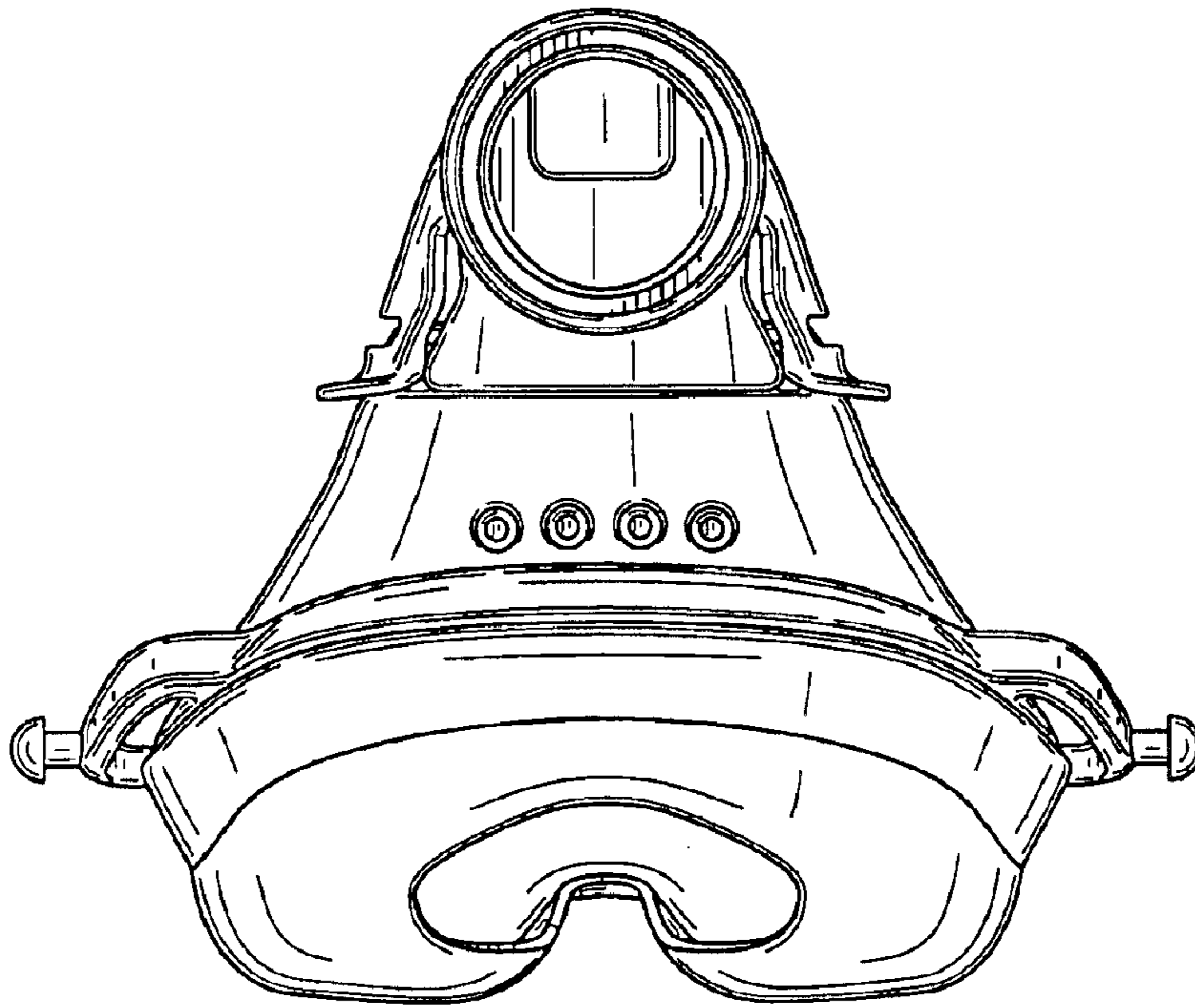


FIG. 10

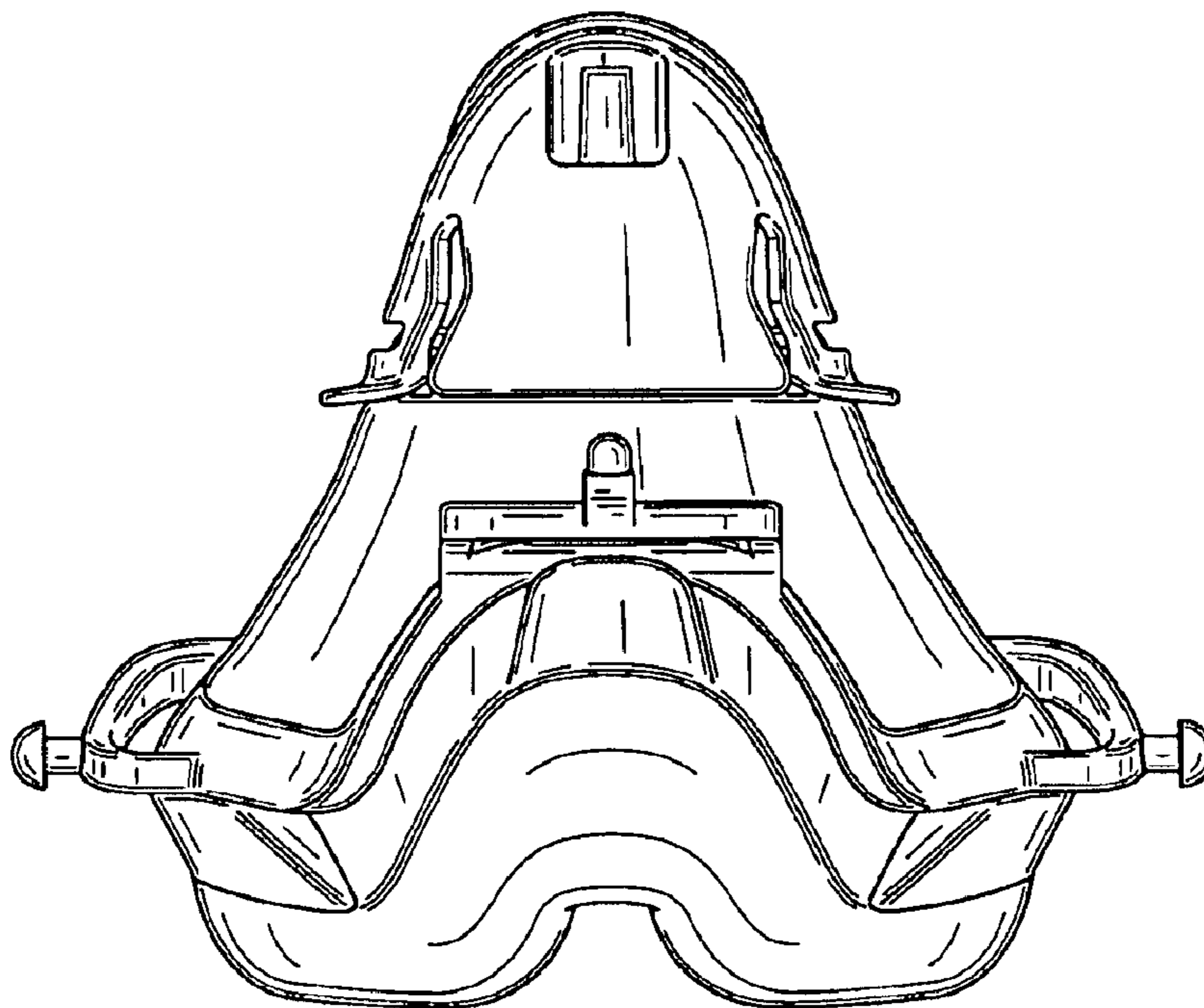


FIG. 11