



US00D506822S

(12) **United States Design Patent**
Young

(10) **Patent No.:** **US D506,822 S**
(45) **Date of Patent:** **** Jun. 28, 2005**

(54) **COMBINATION CEILING FAN AND LIGHT FIXTURE**

(75) Inventor: **Stanfield Young**, Garden Grove, CA (US)

(73) Assignee: **Minka Lighting, Inc.**, Corona, CA (US)

(**) Term: **14 Years**

(21) Appl. No.: **29/193,834**

(22) Filed: **Nov. 13, 2003**

(51) **LOC (8) Cl.** **23-04**

(52) **U.S. Cl.** **D23/377**

(58) **Field of Search** D23/377, 379, D23/385, 411, 413; 416/5; D26/59, 51, 81-86, 72; 392/364; 362/96

(56) **References Cited**

U.S. PATENT DOCUMENTS

D434,133 S	*	11/2000	Johnson	D23/411
D480,796 S		10/2003	Young	D23/411
D481,454 S		10/2003	Young	D23/411
D482,773 S		11/2003	Young	D23/411

OTHER PUBLICATIONS

Minka Aire Two Thousand Two; pp. 2, 3, Apr. 22, 2002, Minka Lighting, Inc. USA.

Minka Aire Two Thousand Three; pp. 2, 3, Jan. 2003, Minka Lighting Inc. USA.

* cited by examiner

Primary Examiner—Lisa Lichtenstein

(74) *Attorney, Agent, or Firm*—Baker & McKenzie LLP

(57) **CLAIM**

The ornamental design for a combination ceiling fan and light fixture, as shown and described.

DESCRIPTION

FIG. 1 is a perspective view from below of a combination ceiling fan and light fixture in accordance with my design; FIG. 2 is an enlarged perspective view from below of a combination ceiling fan and light fixture in accordance with my design;

FIG. 3 is a bottom plan view of the combination ceiling fan and light fixture in accordance with my design;

FIG. 4 is a top plan view of the combination ceiling fan and light fixture in accordance with my design;

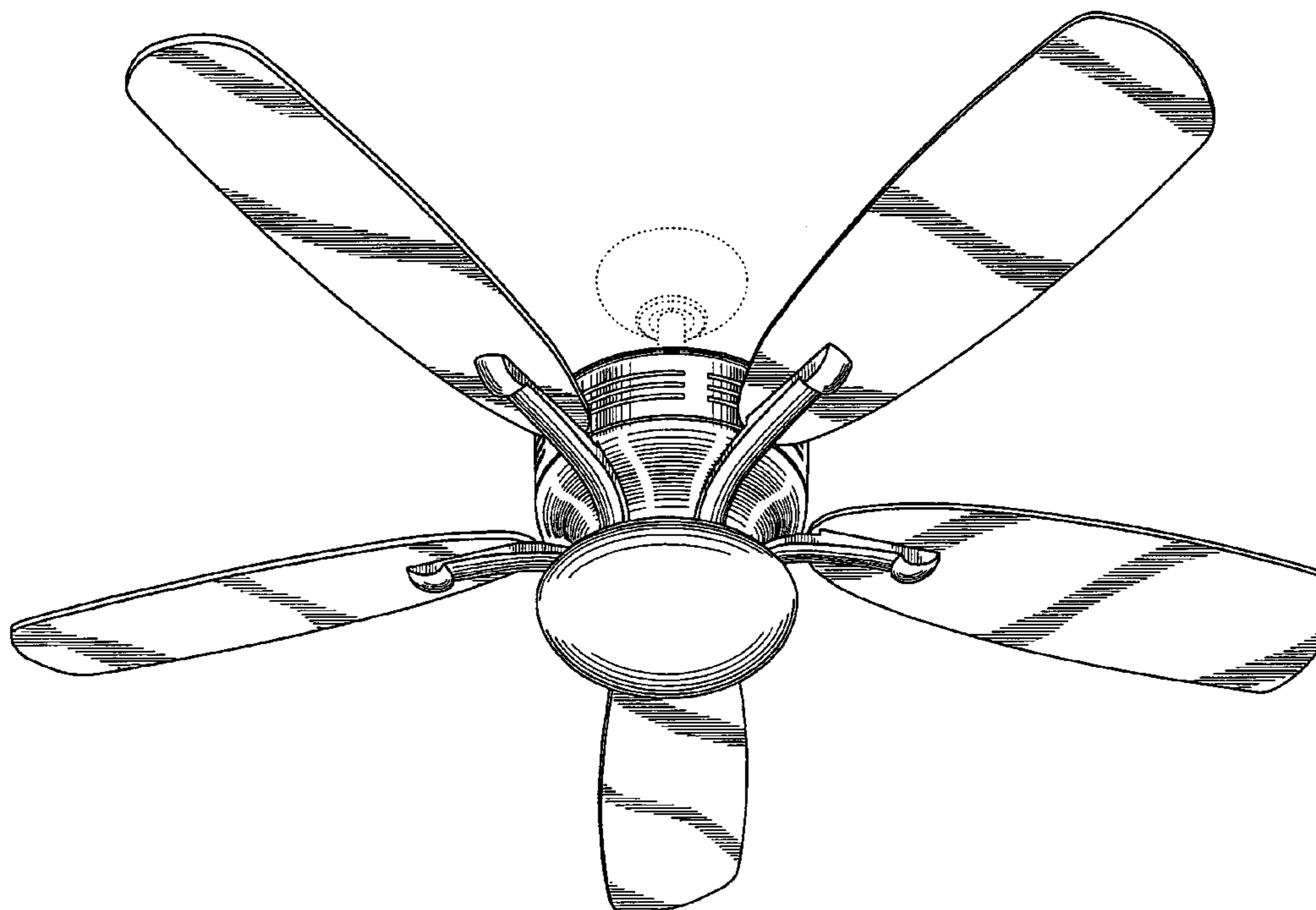
FIG. 5 is a front elevation view of the combination ceiling fan and light fixture in accordance with my design; and,

FIG. 6 is a side elevation view of the combination ceiling fan and light fixture in accordance with my design.

FIGS. 5 and 6 are identical except for the positioning of the fan blades.

The broken lines showing environmental structure are for illustrative purposes and form no part of the claimed design.

1 Claim, 6 Drawing Sheets



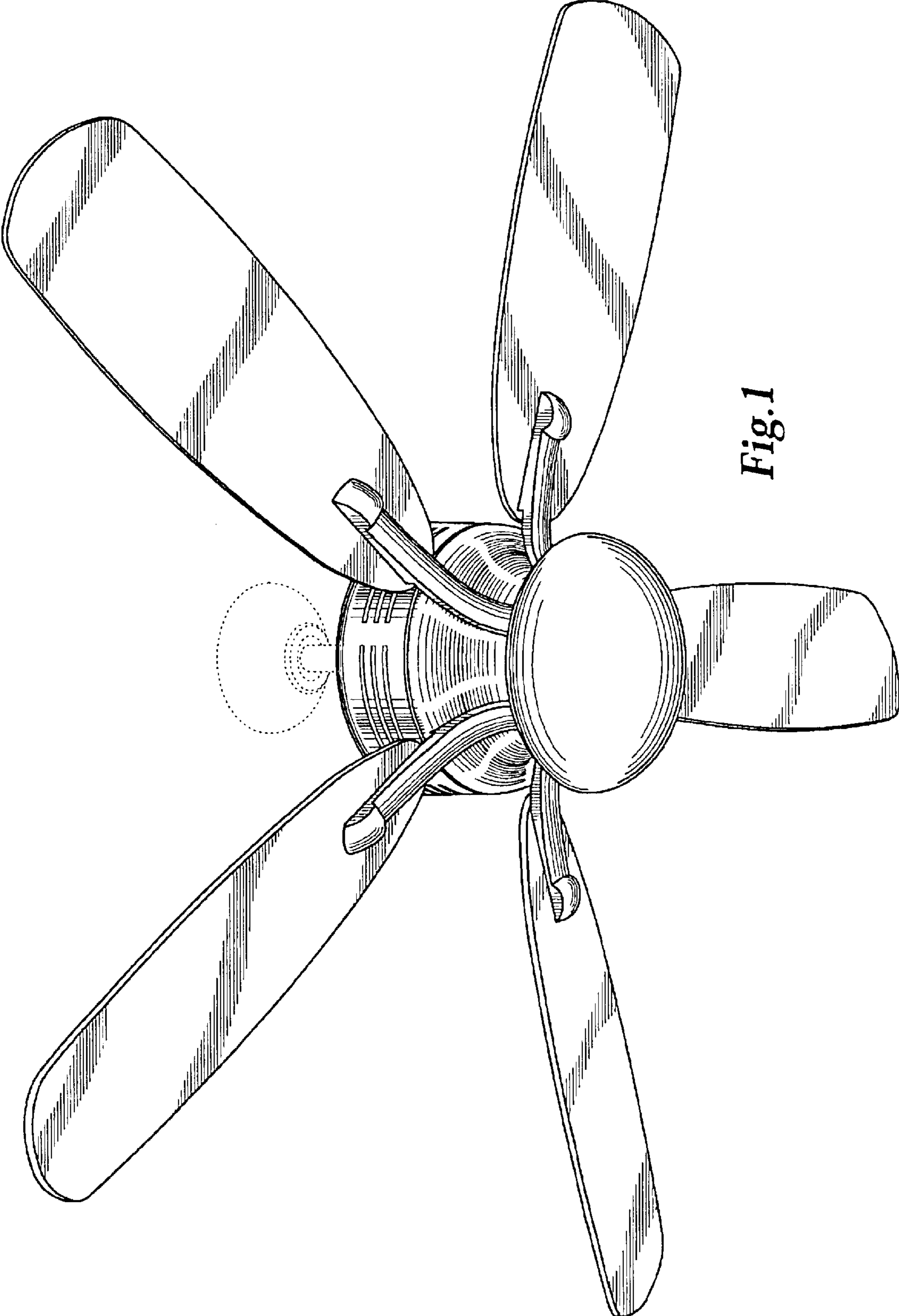


Fig. 1

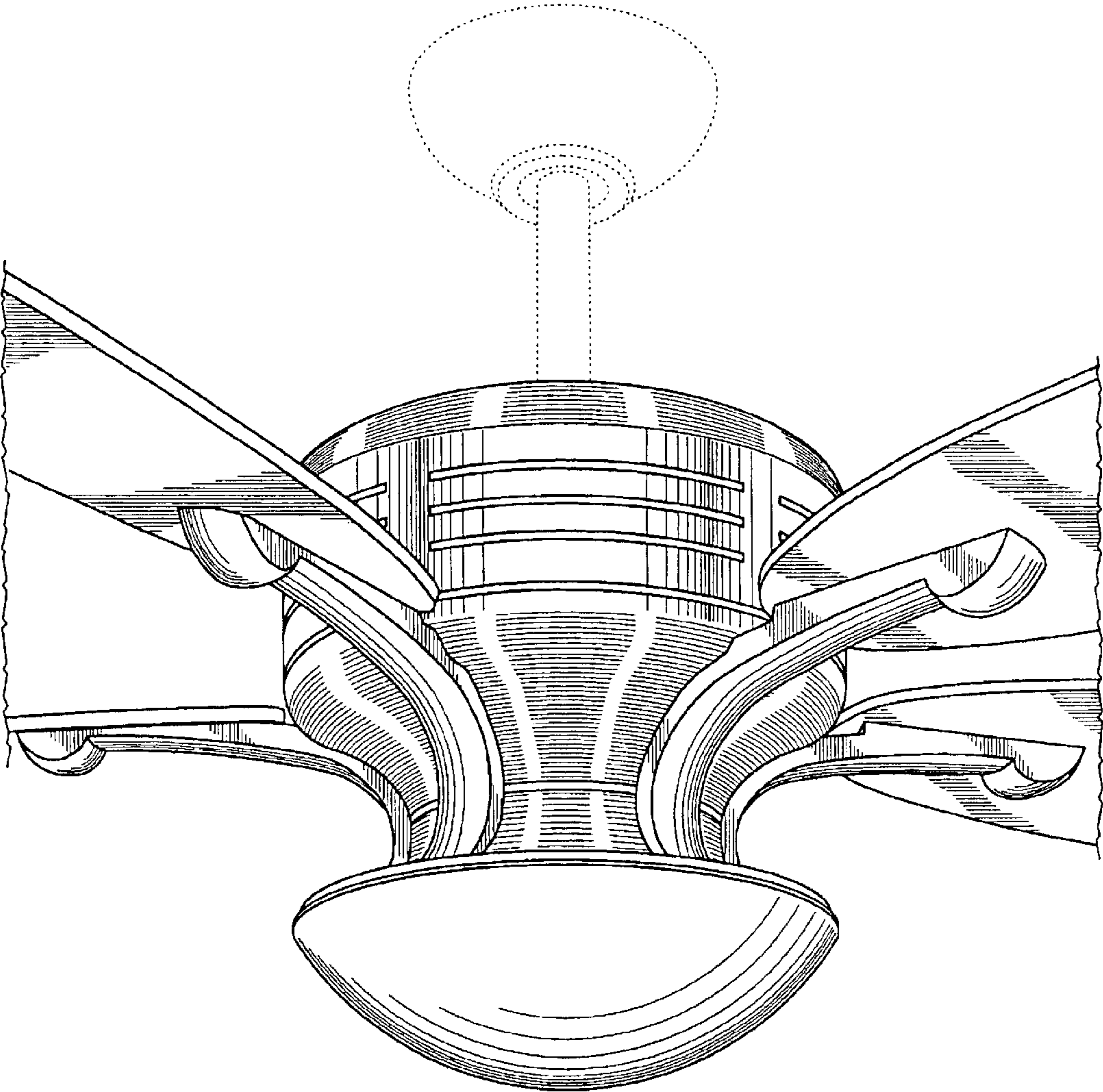


Fig.2

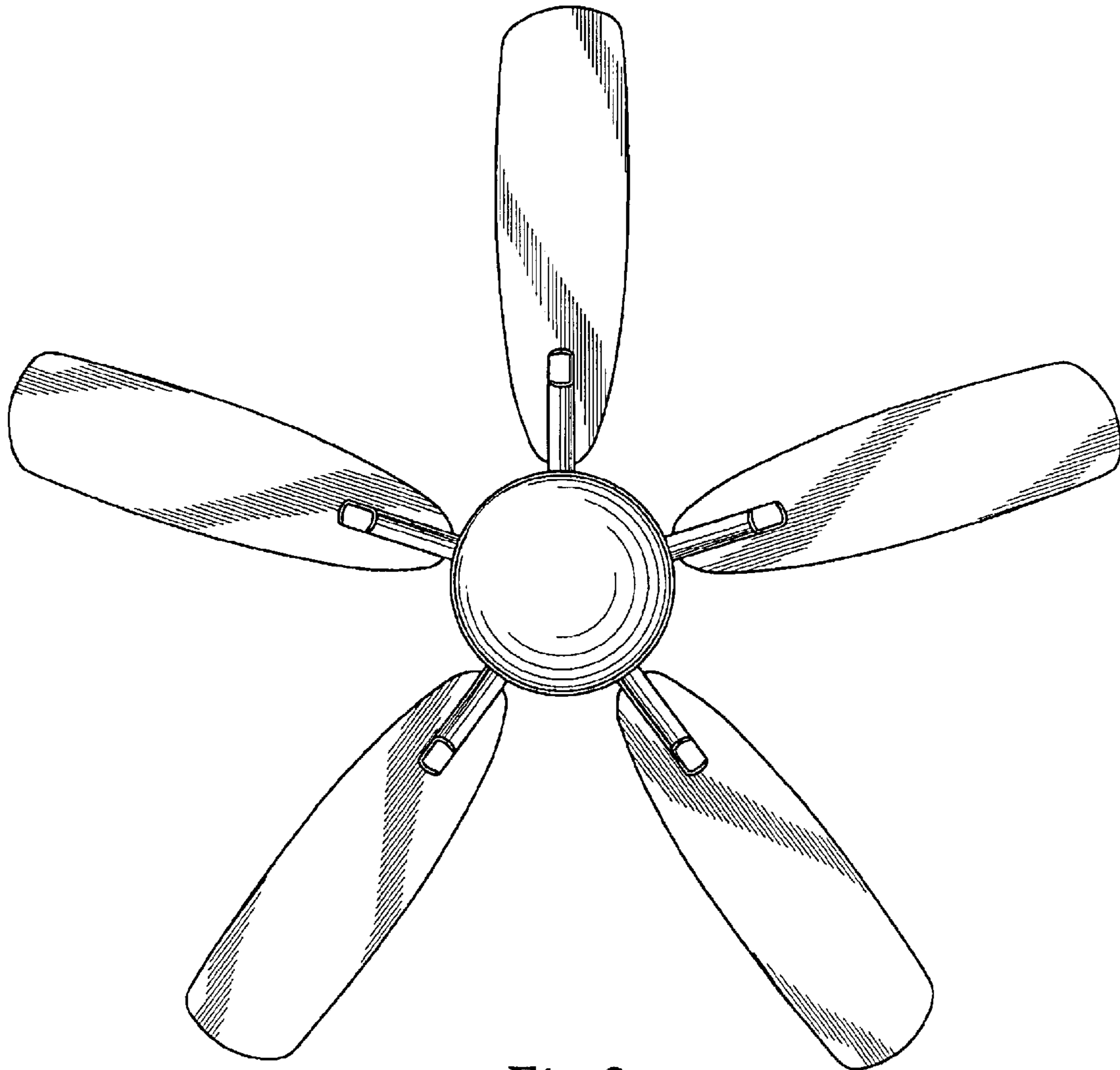


Fig. 3

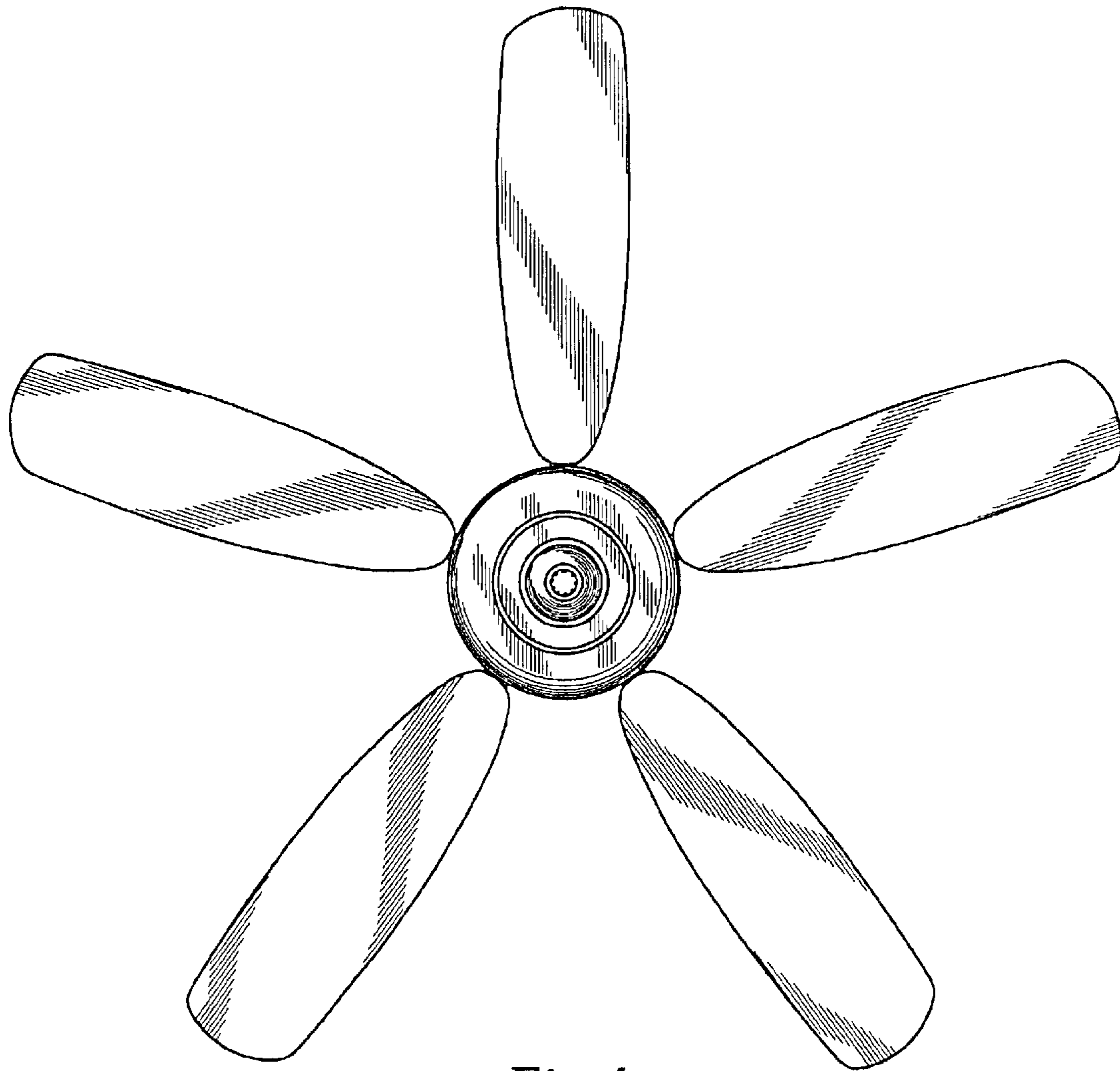


Fig.4

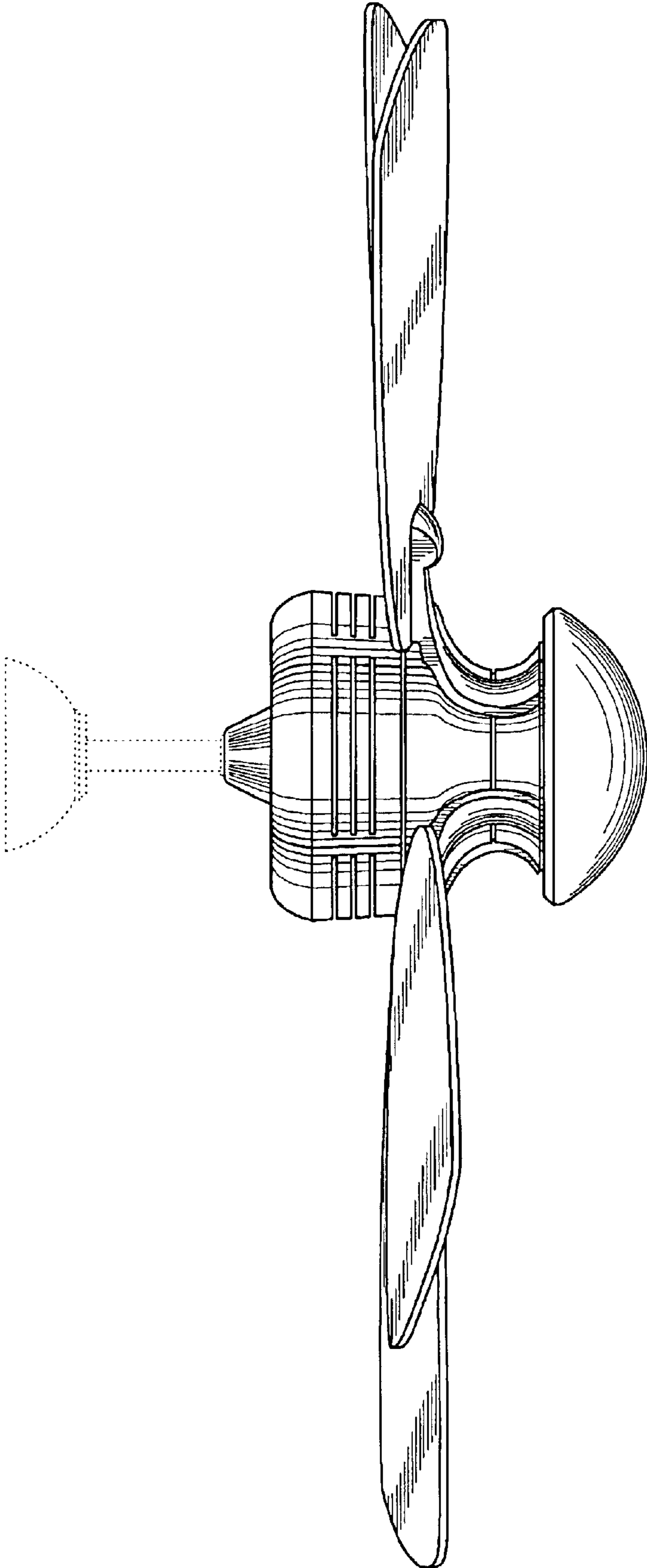


Fig. 5

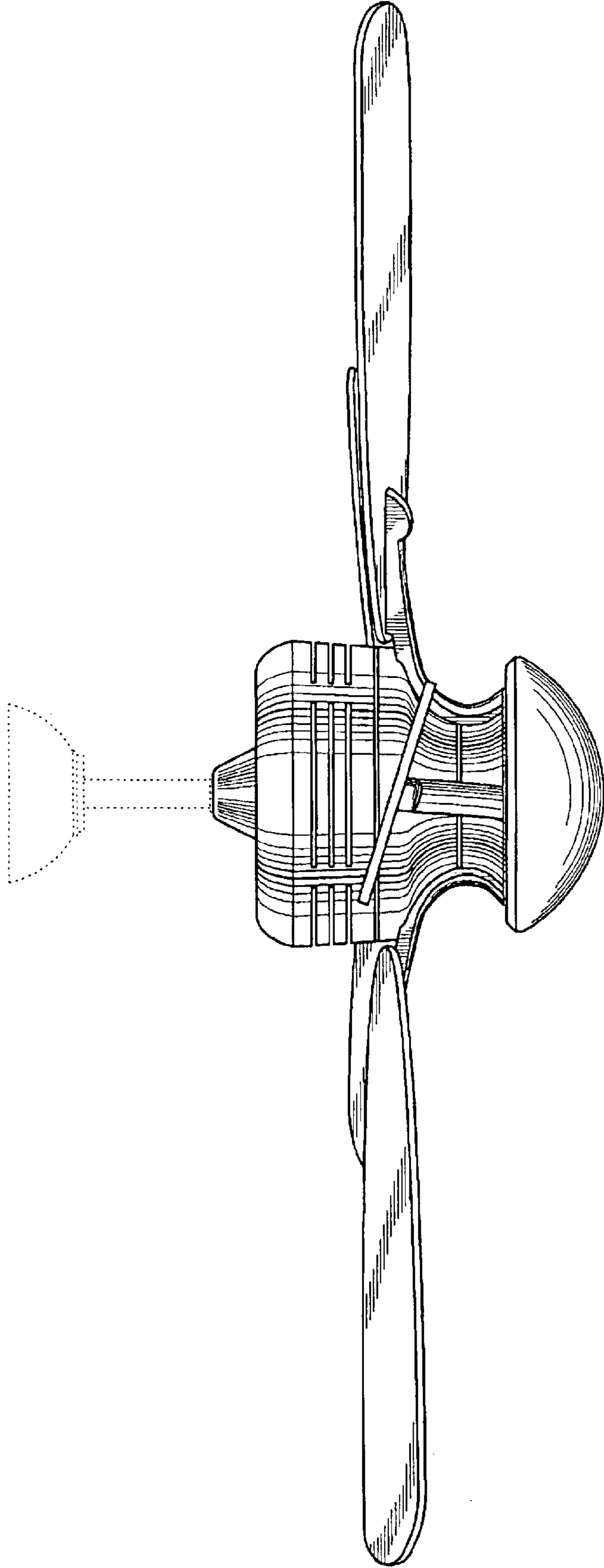


Fig. 6