

US00D506818S

(12) **United States Design Patent**  
**Lin**

(10) **Patent No.:** **US D506,818 S**  
(45) **Date of Patent:** **\*\* Jun. 28, 2005**

(54) **HEAT RADIATOR FAN**

(76) Inventor: **Jen-Cheng Lin**, 9 Fl., No. 786,  
Chung-Cheng Rd., Chung-Ho City,  
Taipei Hsien (TW)

(\*\*) Term: **14 Years**

(21) Appl. No.: **29/182,859**

(22) Filed: **Jun. 2, 2003**

(51) **LOC (8) Cl.** ..... **23-04**

(52) **U.S. Cl.** ..... **D23/370**

(58) **Field of Search** ..... D23/370, 355,  
D23/364, 335

(56) **References Cited**

**U.S. PATENT DOCUMENTS**

D401,686 S \* 11/1998 Horng ..... D23/370

\* cited by examiner

*Primary Examiner*—Lisa Lichtenstein  
(74) *Attorney, Agent, or Firm*—Dellett & Walters

(57) **CLAIM**

The ornamental design for a heat radiator fan, as shown.

**DESCRIPTION**

FIG. 1 is a perspective view of a heat radiator fan, showing my new design;

FIG. 2 is a front elevational view thereof;

FIG. 3 is a rear elevational view thereof;

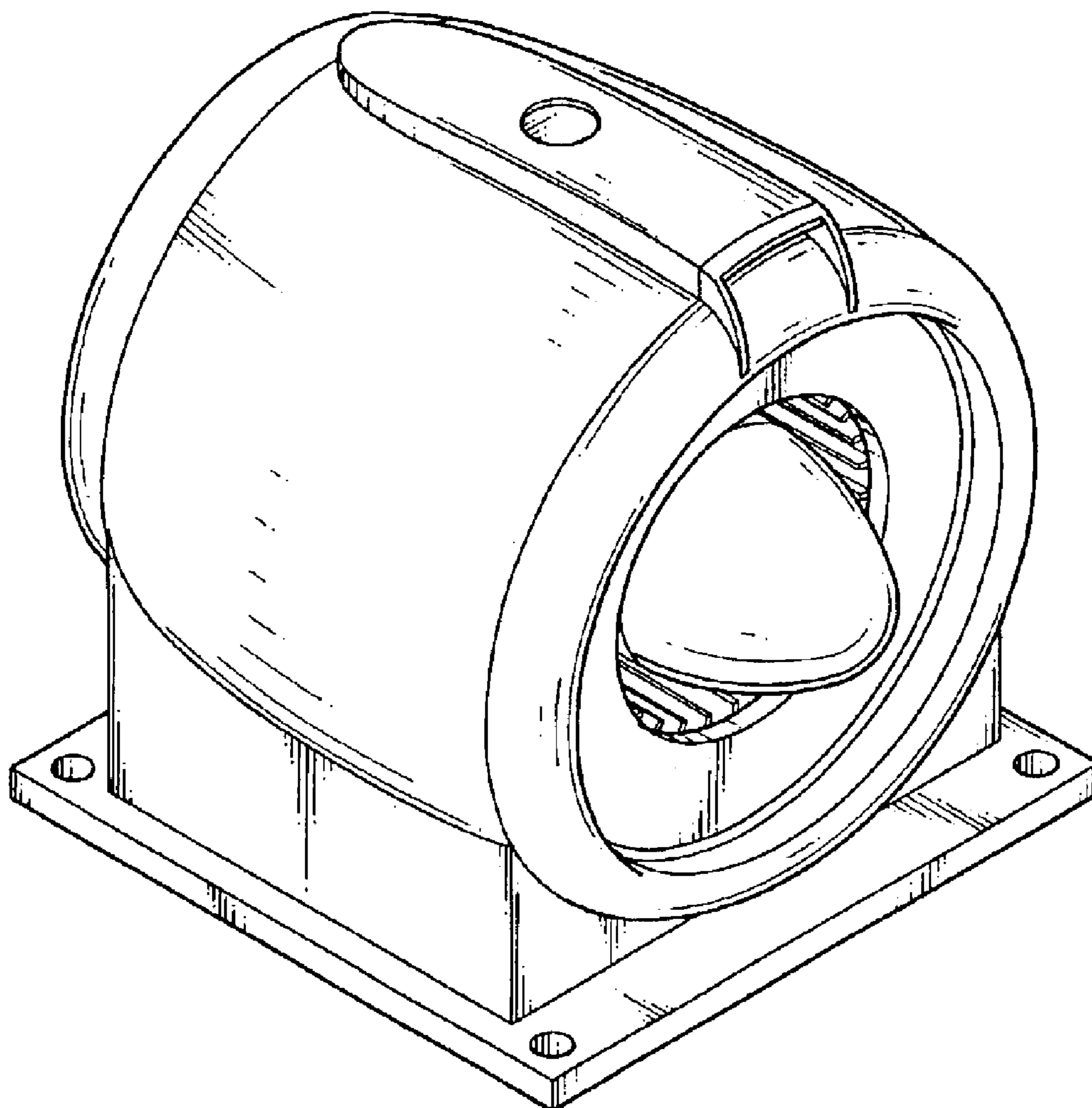
FIG. 4 is a right elevational view thereof,

FIG. 5 is a left elevational view thereof;

FIG. 6 is top plan view thereof; and,

FIG. 7 is a bottom plan view thereof.

**1 Claim, 4 Drawing Sheets**



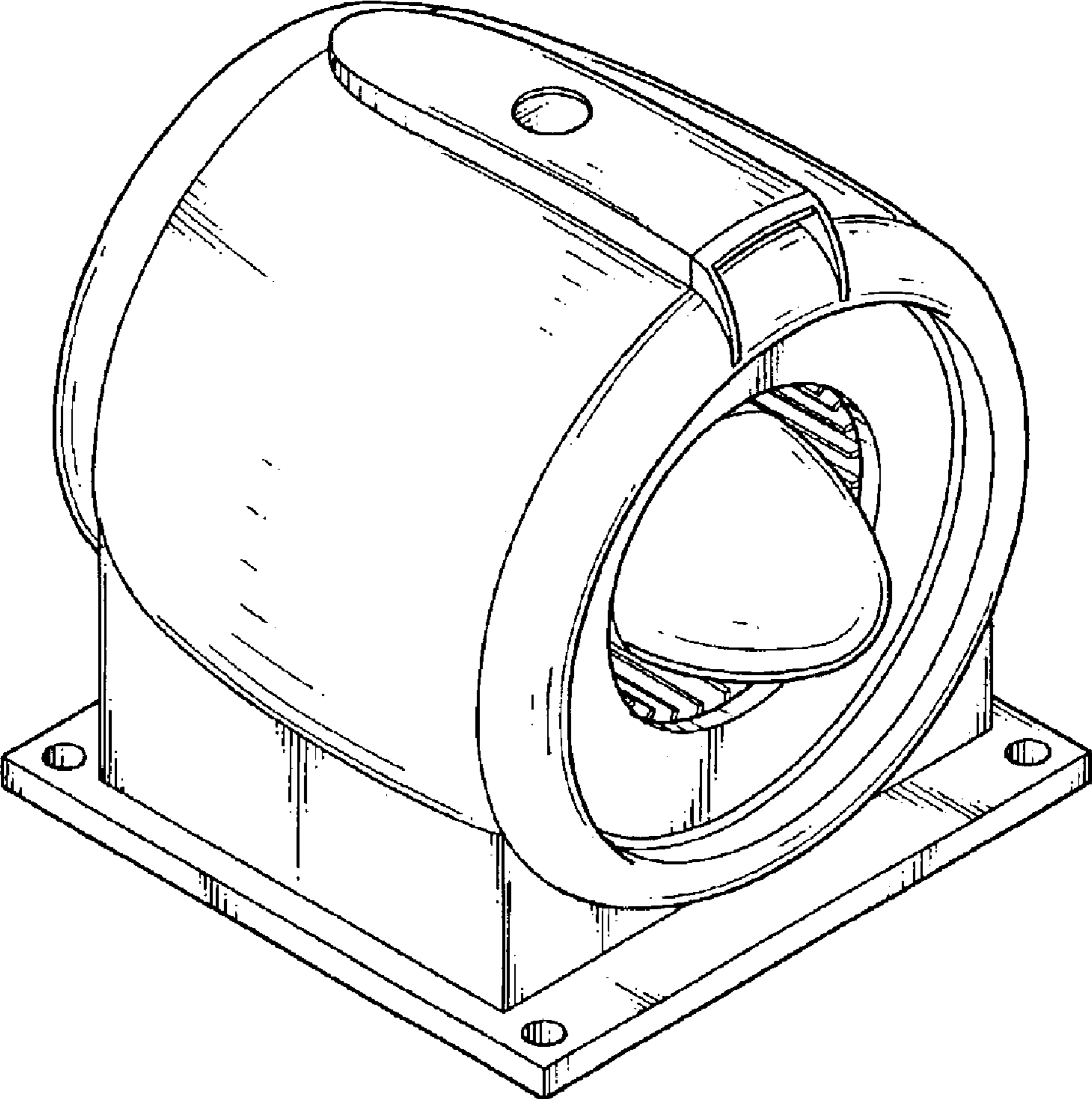


FIG. 1

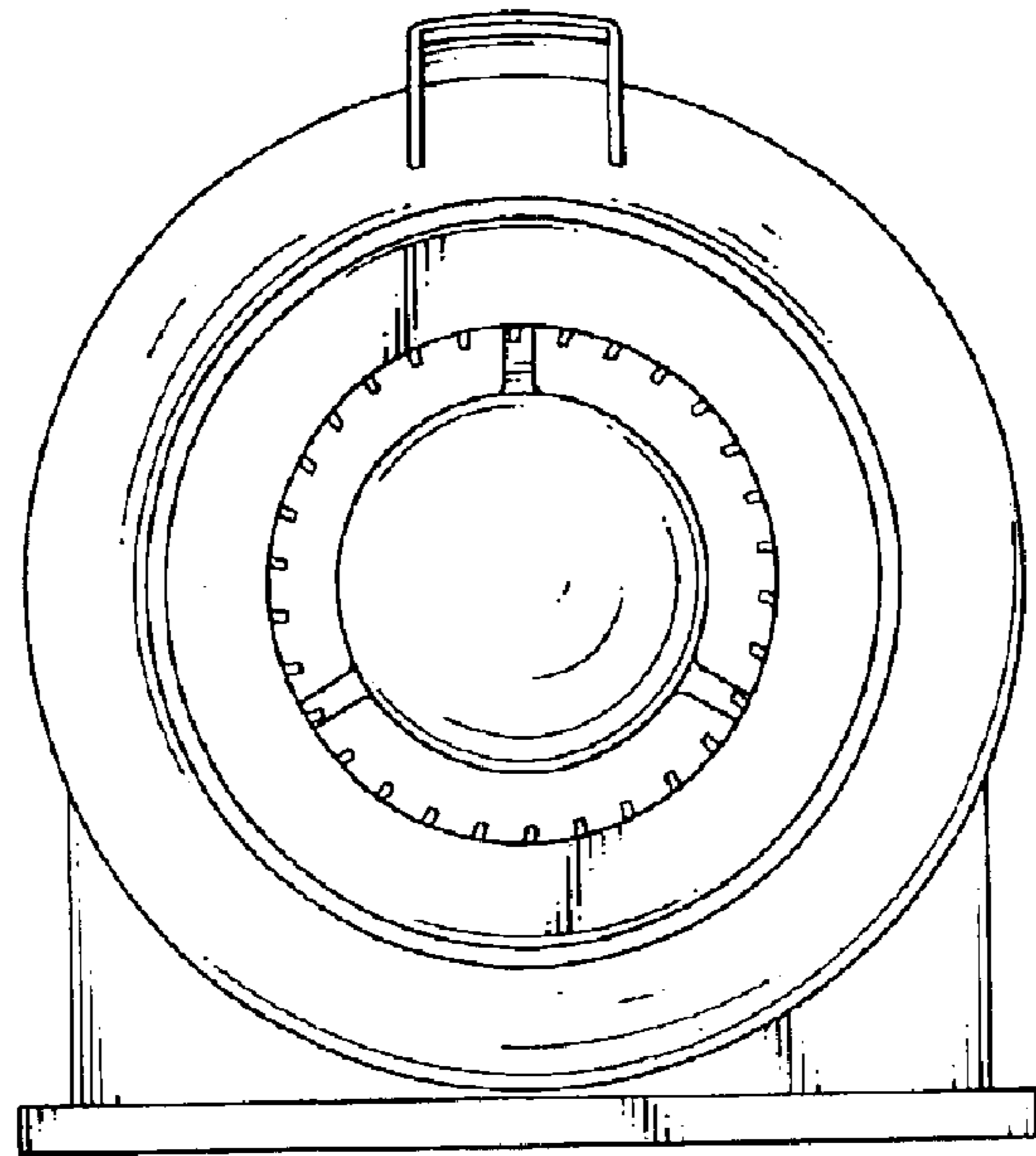


FIG. 2

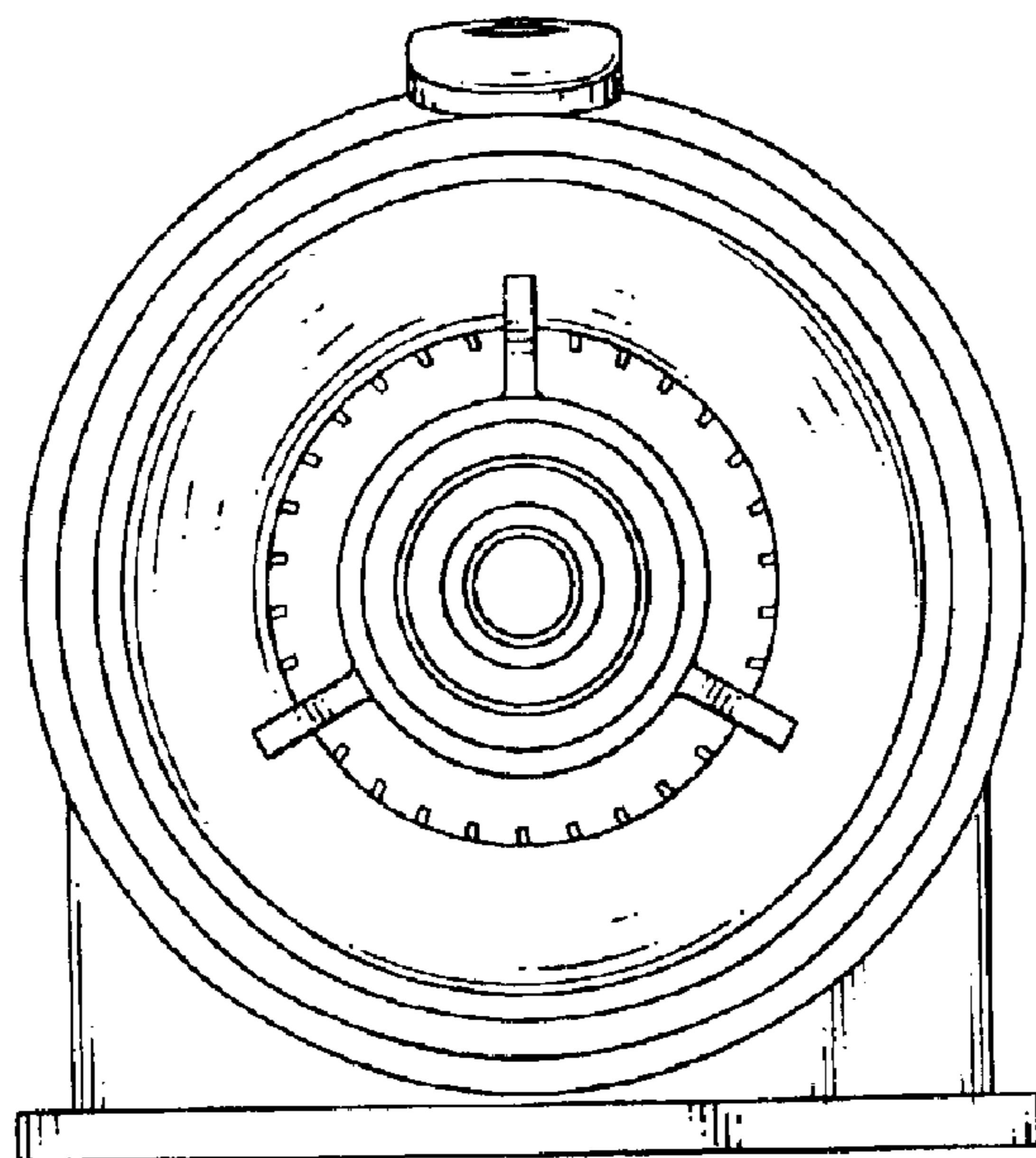


FIG. 3

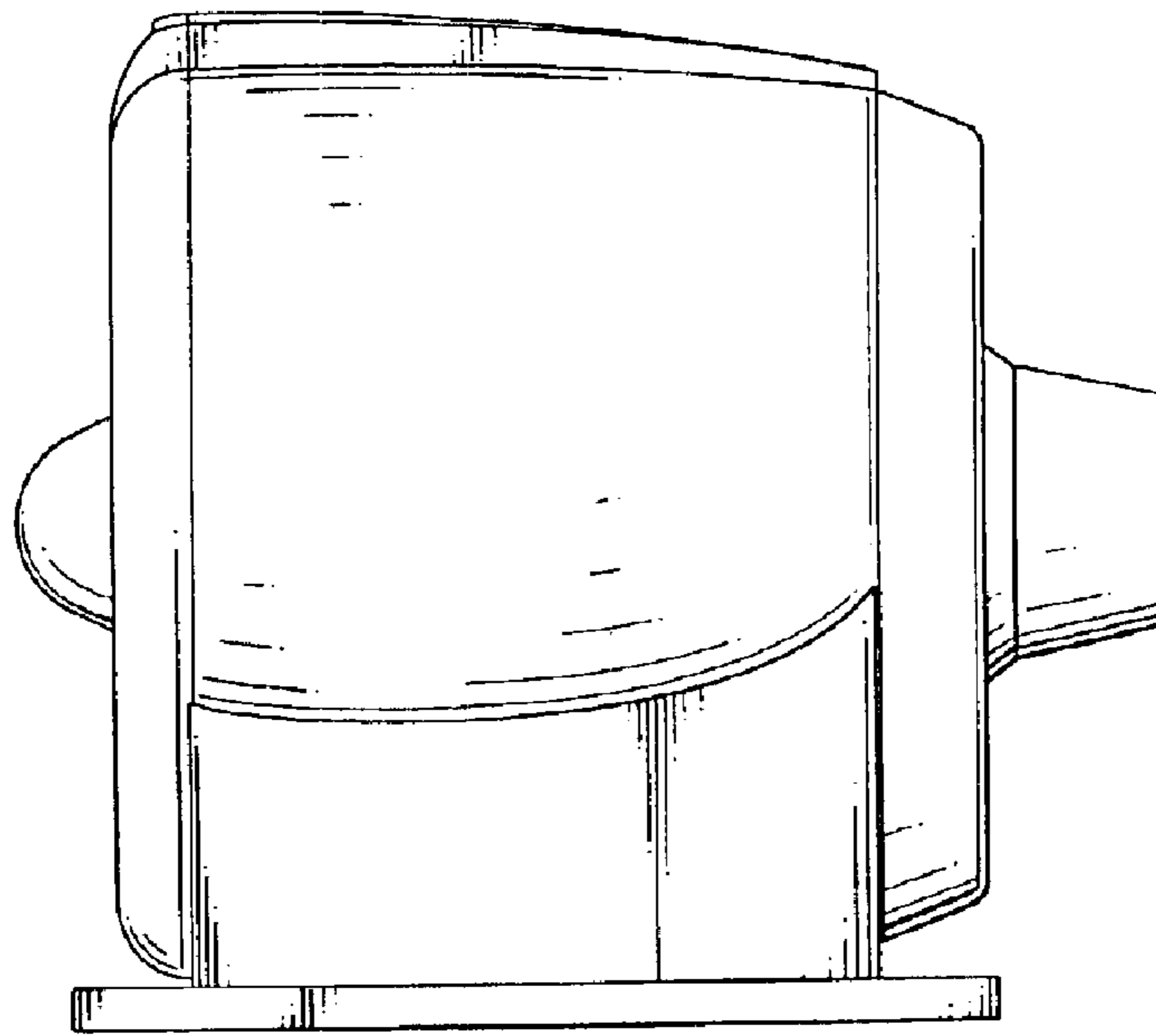


FIG. 5

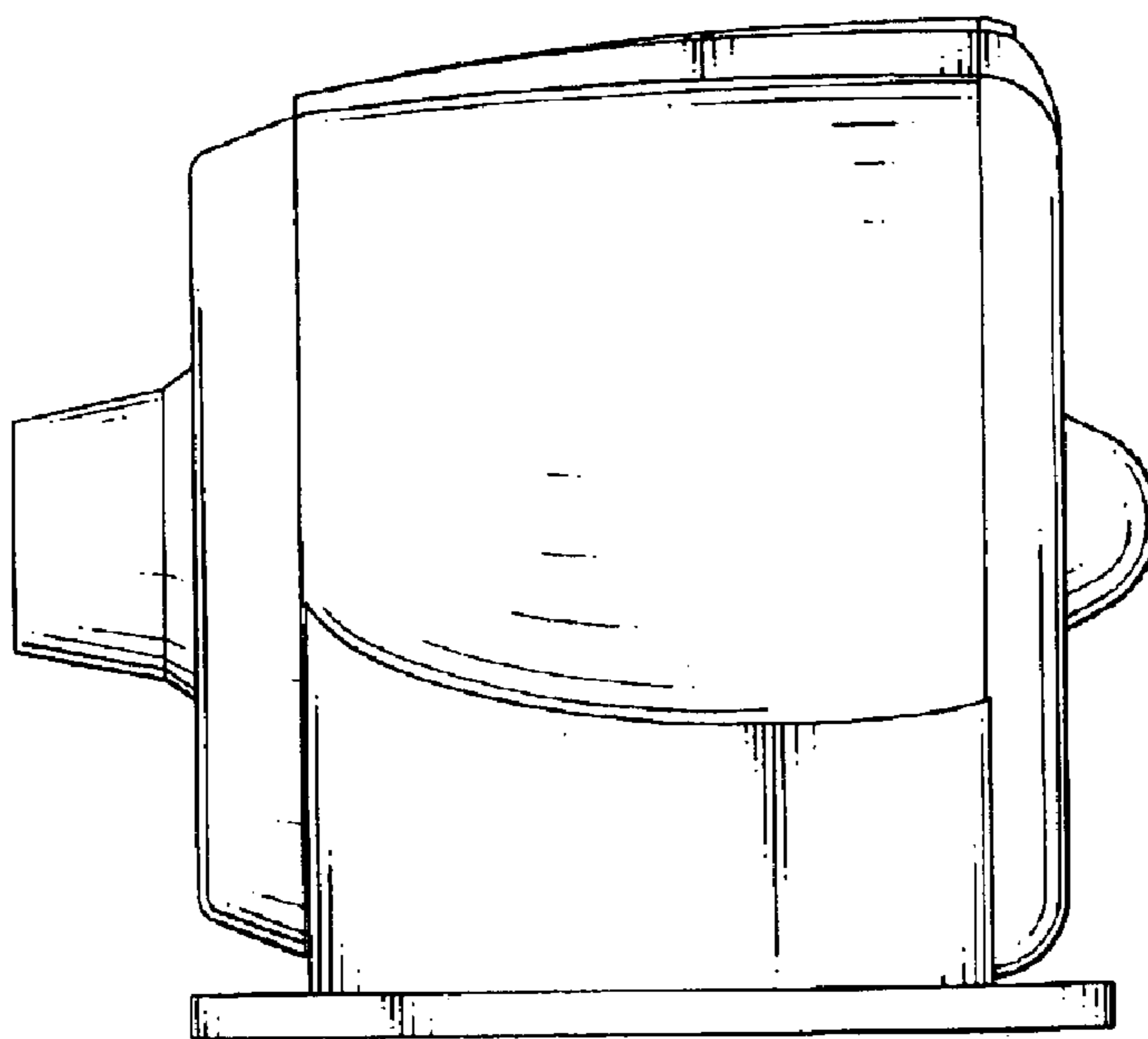


FIG. 4

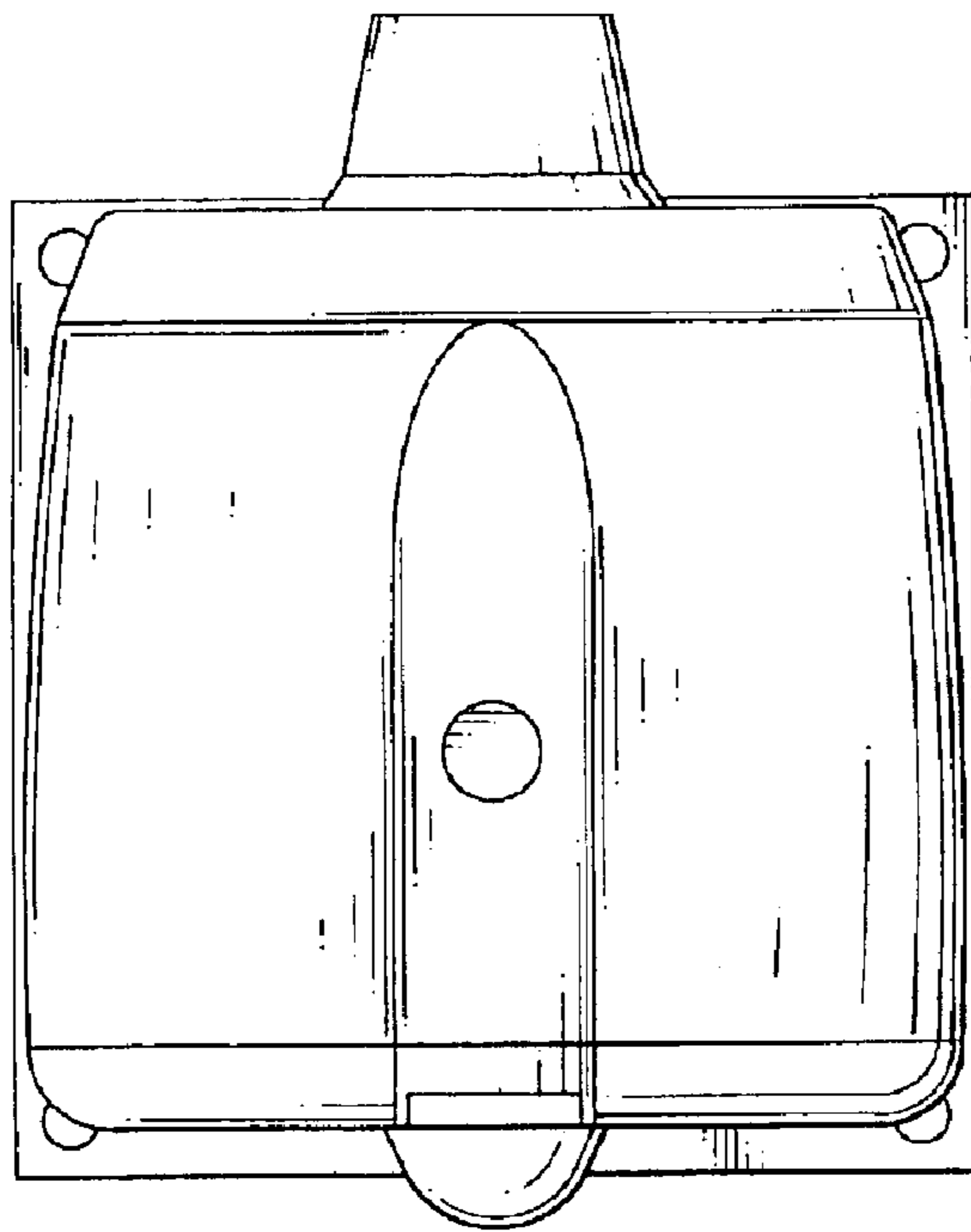


FIG. 6

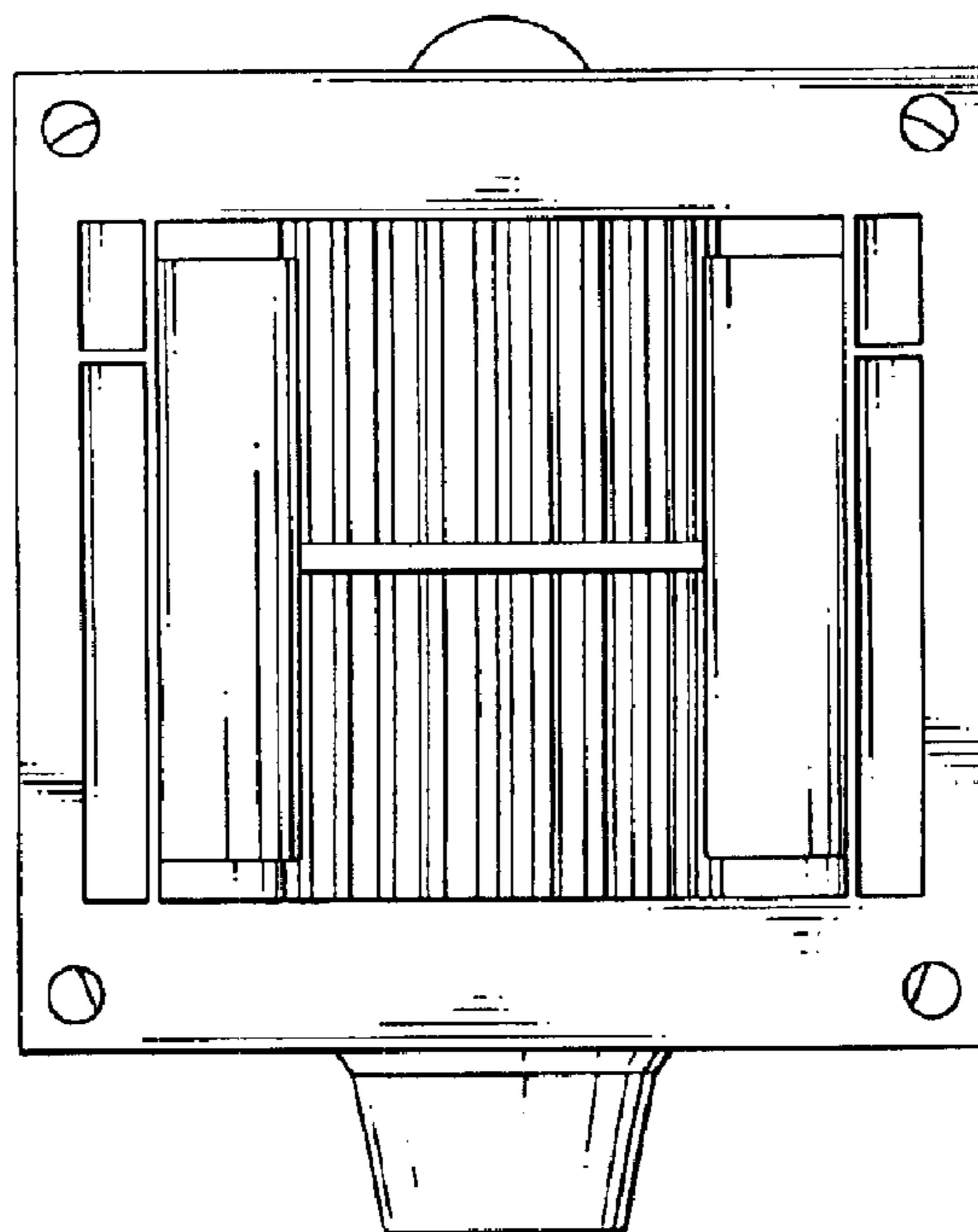


FIG. 7