

US00D506809S

(12) **United States Design Patent**
Parrette

(10) **Patent No.:** **US D506,809 S**
(45) **Date of Patent:** **** Jun. 28, 2005**

(54) **PLUMBING FIXTURE**

(75) Inventor: **Robert N. Parrette**, Griswold, CT (US)

(73) Assignee: **Motorcycle Faucets and Fixtures, Inc.**, New London, CT (US)

(**) Term: **14 Years**

(21) Appl. No.: **29/199,854**

(22) Filed: **Feb. 18, 2004**

(51) **LOC (8) Cl.** **23-01**

(52) **U.S. Cl.** **D23/242; D23/241; D23/238; D23/251; D23/256**

(58) **Field of Search** **D23/238-243, D23/245, 250-257; D8/300-322, 350-353, DIG. 3; 16/110.1; 4/675-678, 615; 137/801; D21/538, 432**

(56) **References Cited**

U.S. PATENT DOCUMENTS

D389,536 S	*	1/1998	Mira Verdu	D21/538
D428,068 S	*	7/2000	Lerch	D21/432
D461,223 S	*	8/2002	Duncan et al.	D23/215
D470,572 S	*	2/2003	Parrette	D23/242

* cited by examiner

Primary Examiner—Louis S. Zarfaz
Assistant Examiner—Gregory Andoll

(74) *Attorney, Agent, or Firm*—McCormick, Paulding & Huber LLP

(57) **CLAIM**

The ornamental design for a plumbing fixture, as shown and described.

DESCRIPTION

FIG. 1 is a perspective view from the front of my plumbing fixture in one embodiment.

FIG. 2 is a rear view of my plumbing fixture as shown in FIG. 1.

FIG. 3 is a top view of my plumbing fixture as shown in FIG. 1.

FIG. 4 is a right side view of my plumbing fixture as shown in FIG. 1, the left side view being a mirror image.

FIG. 5 is a perspective view from the front of my plumbing fixture in another embodiment.

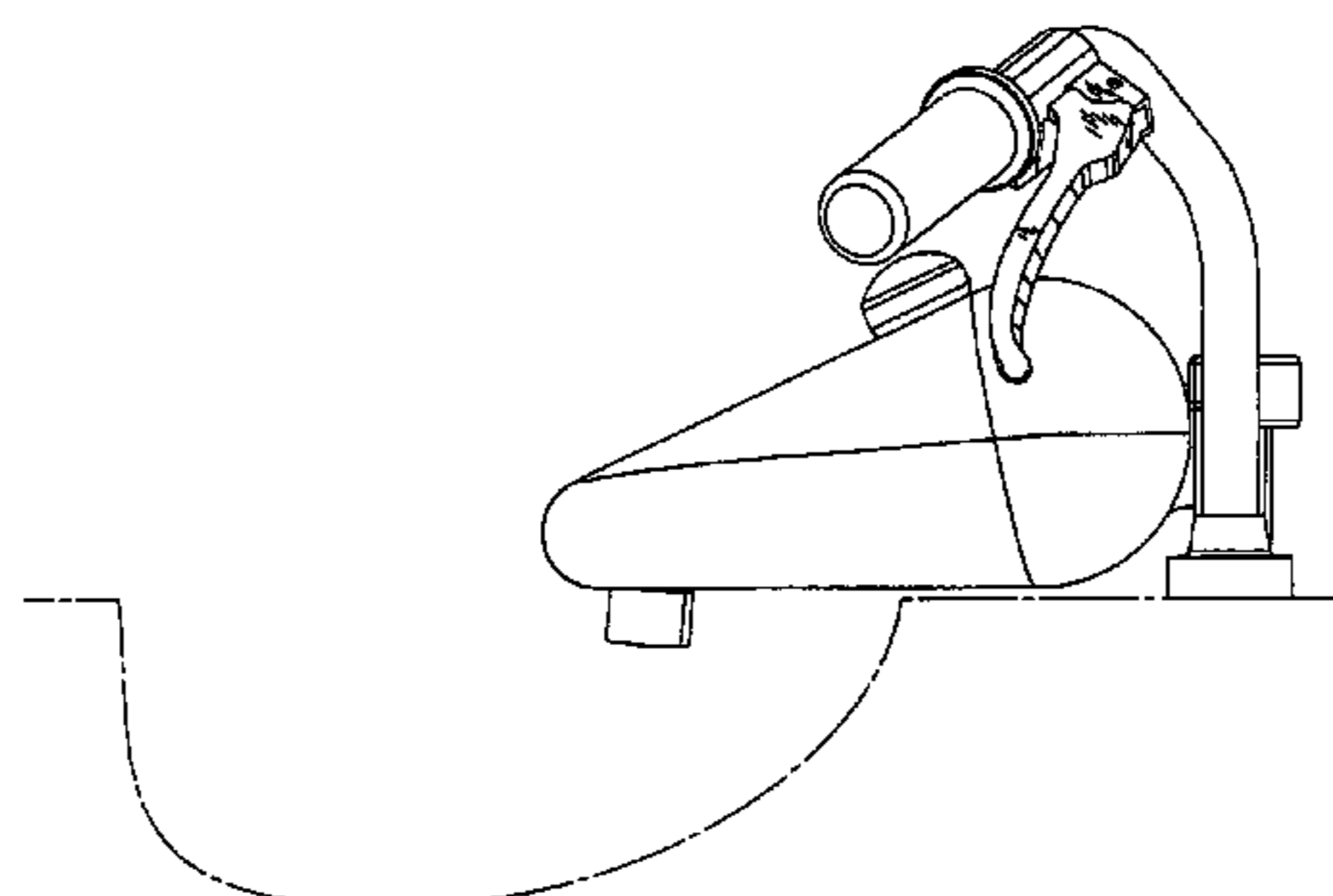
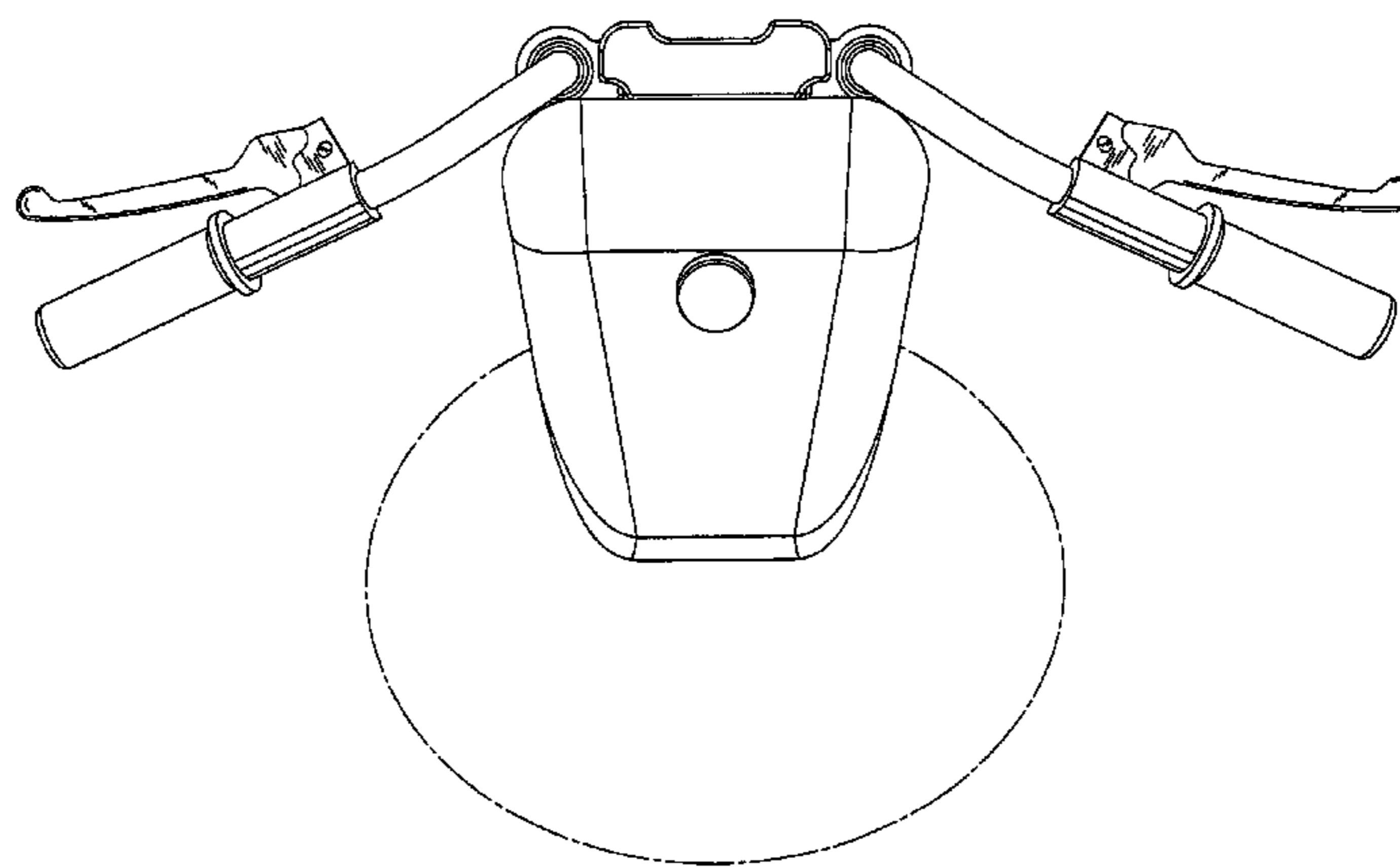
FIG. 6 is a rear view of my plumbing fixture as shown in FIG. 5.

FIG. 7 is a top view of my plumbing fixture as shown in FIG. 5; and,

FIG. 8 is a right side view of my plumbing fixture as shown in FIG. 5, the left side being a mirror image.

The broken lines in the Figures are for illustrative purposes only and form no part of the claimed design.

1 Claim, 8 Drawing Sheets



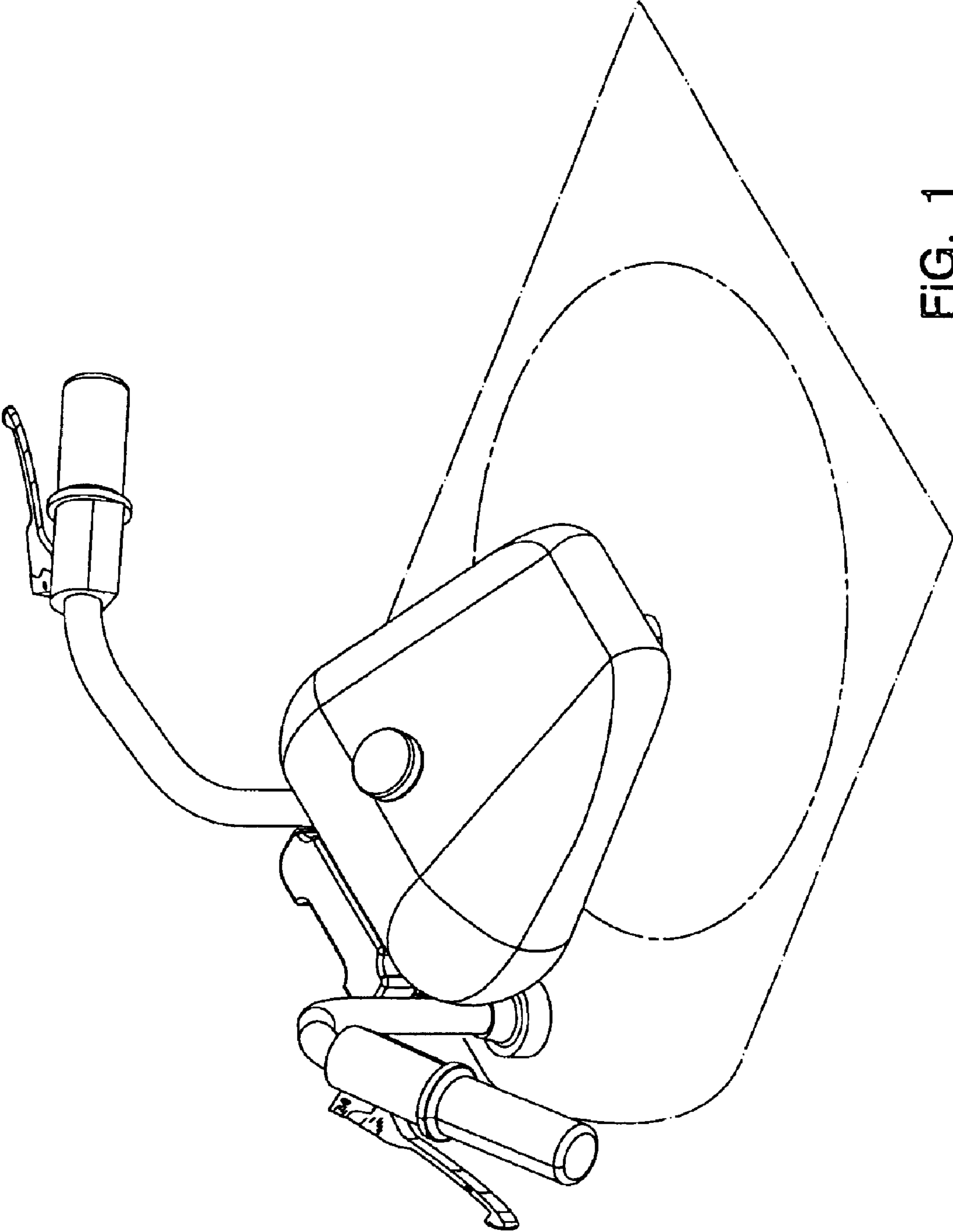


FIG. 1

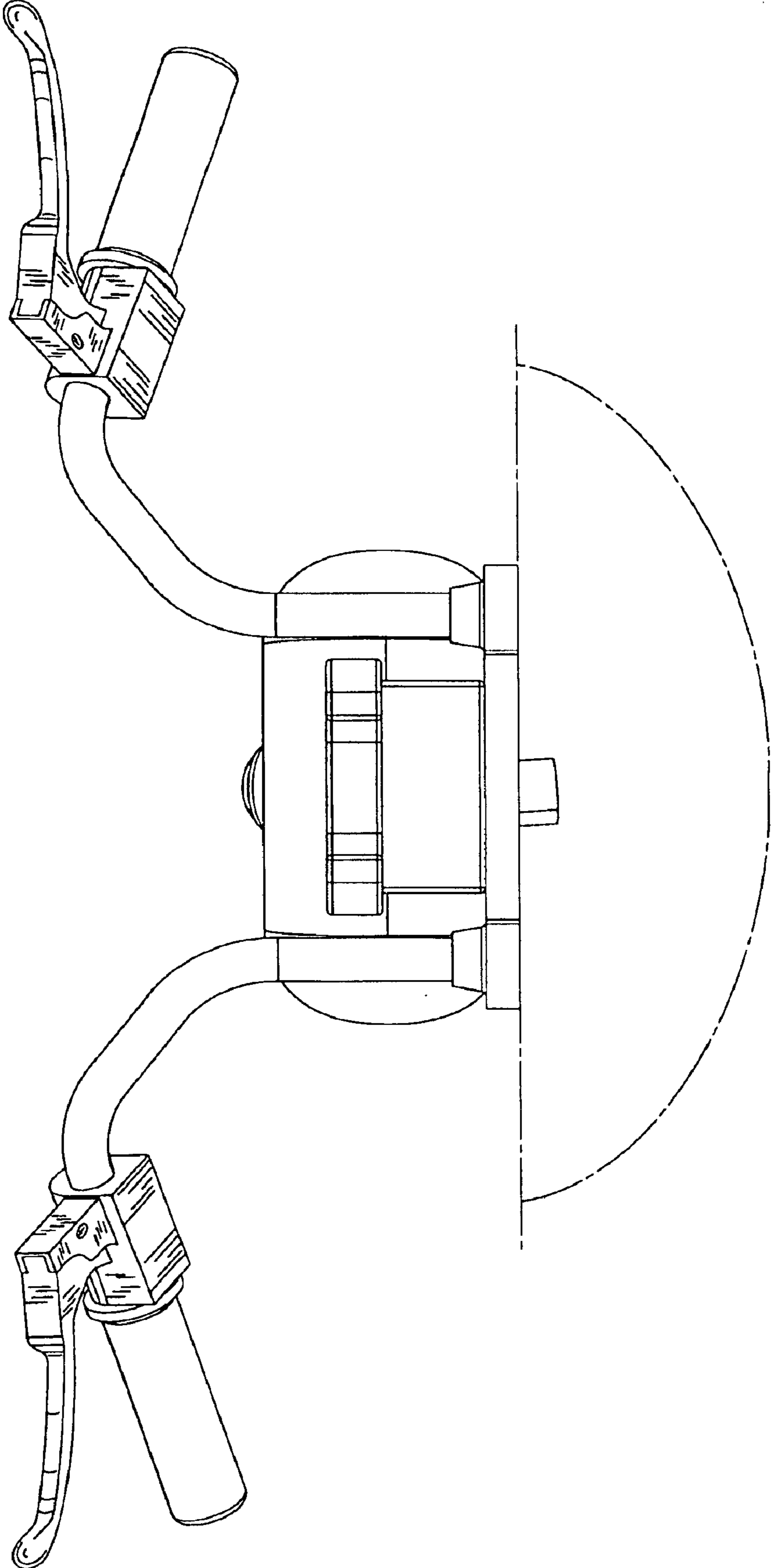


FIG. 2

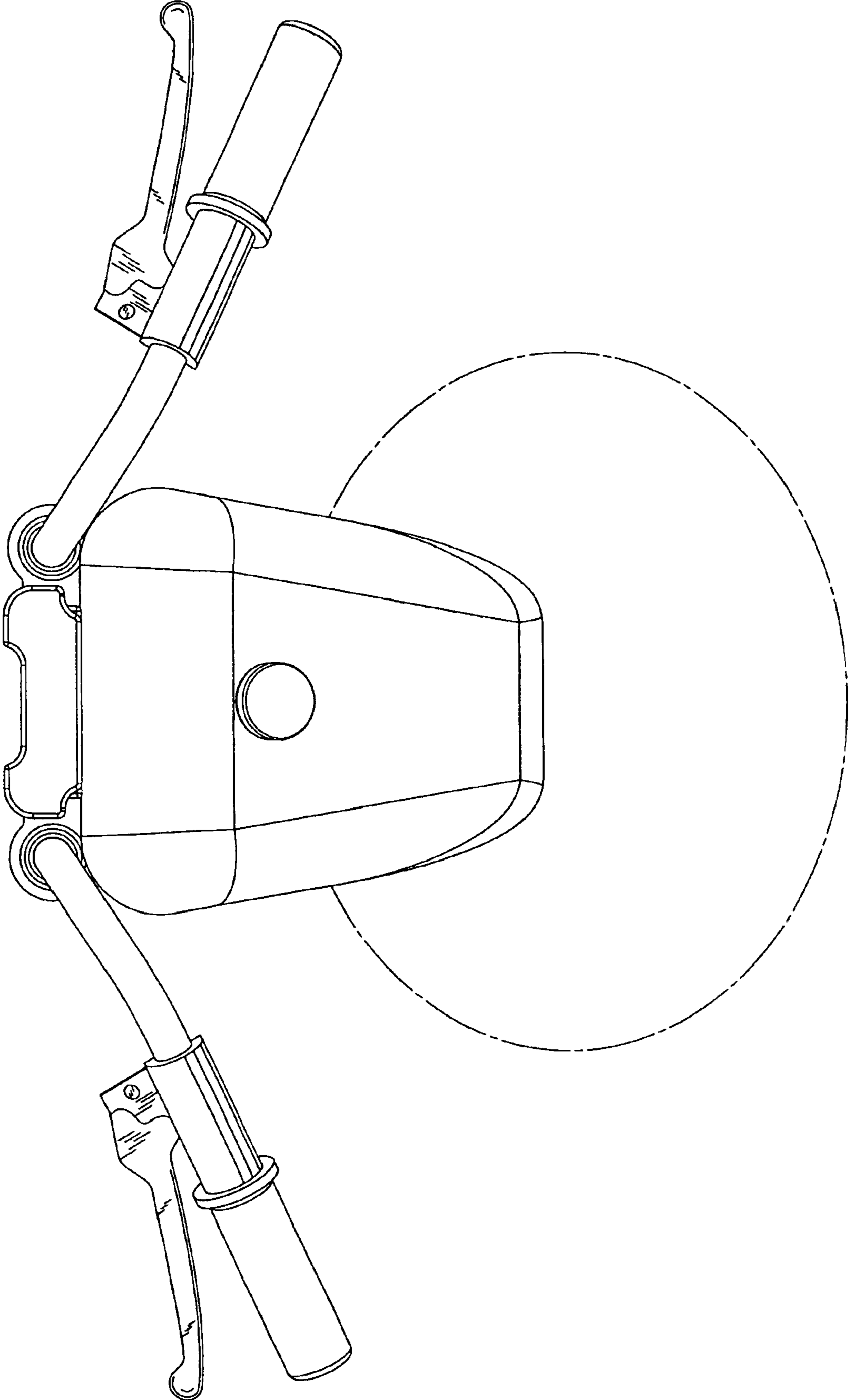


FIG. 3

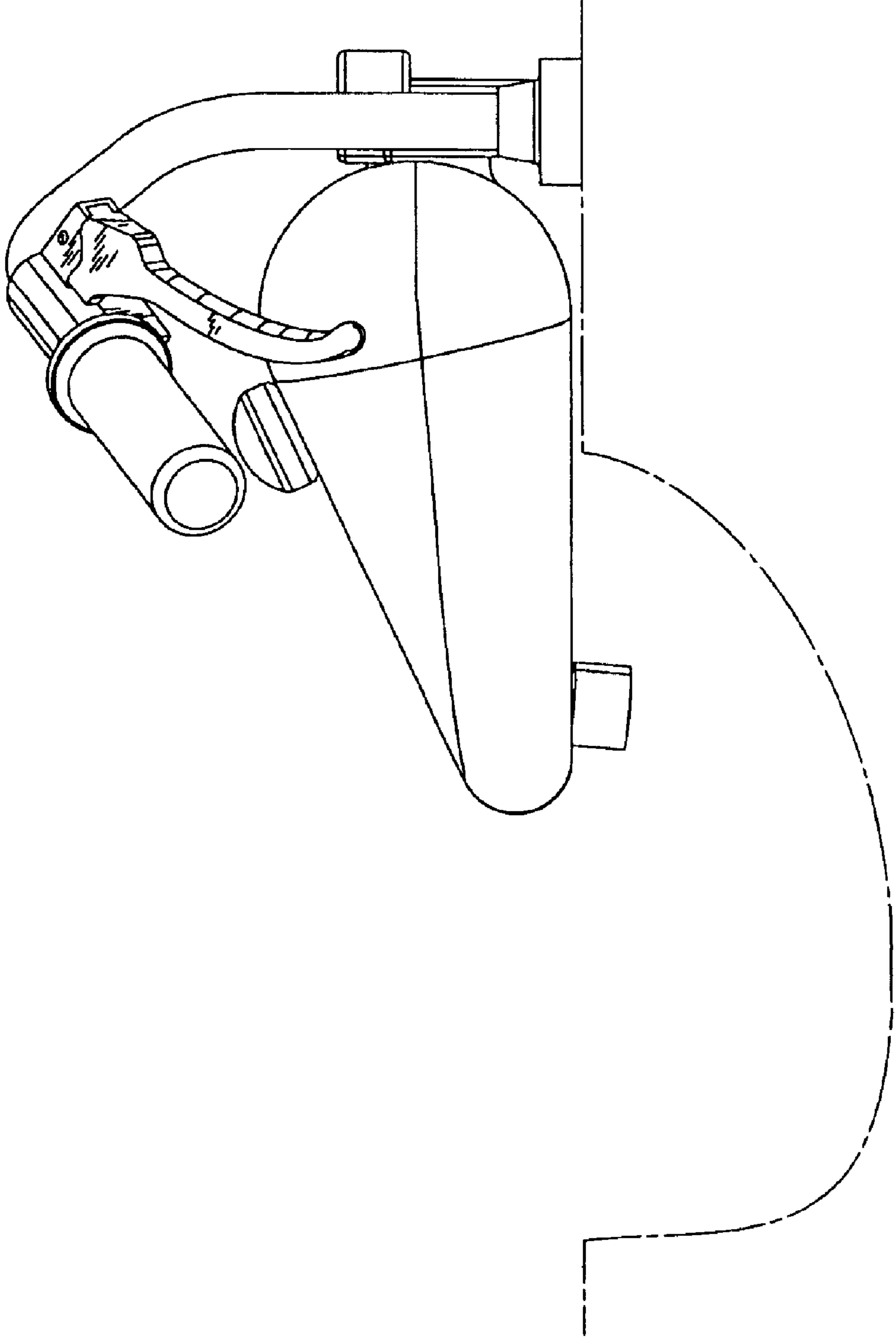


FIG. 4

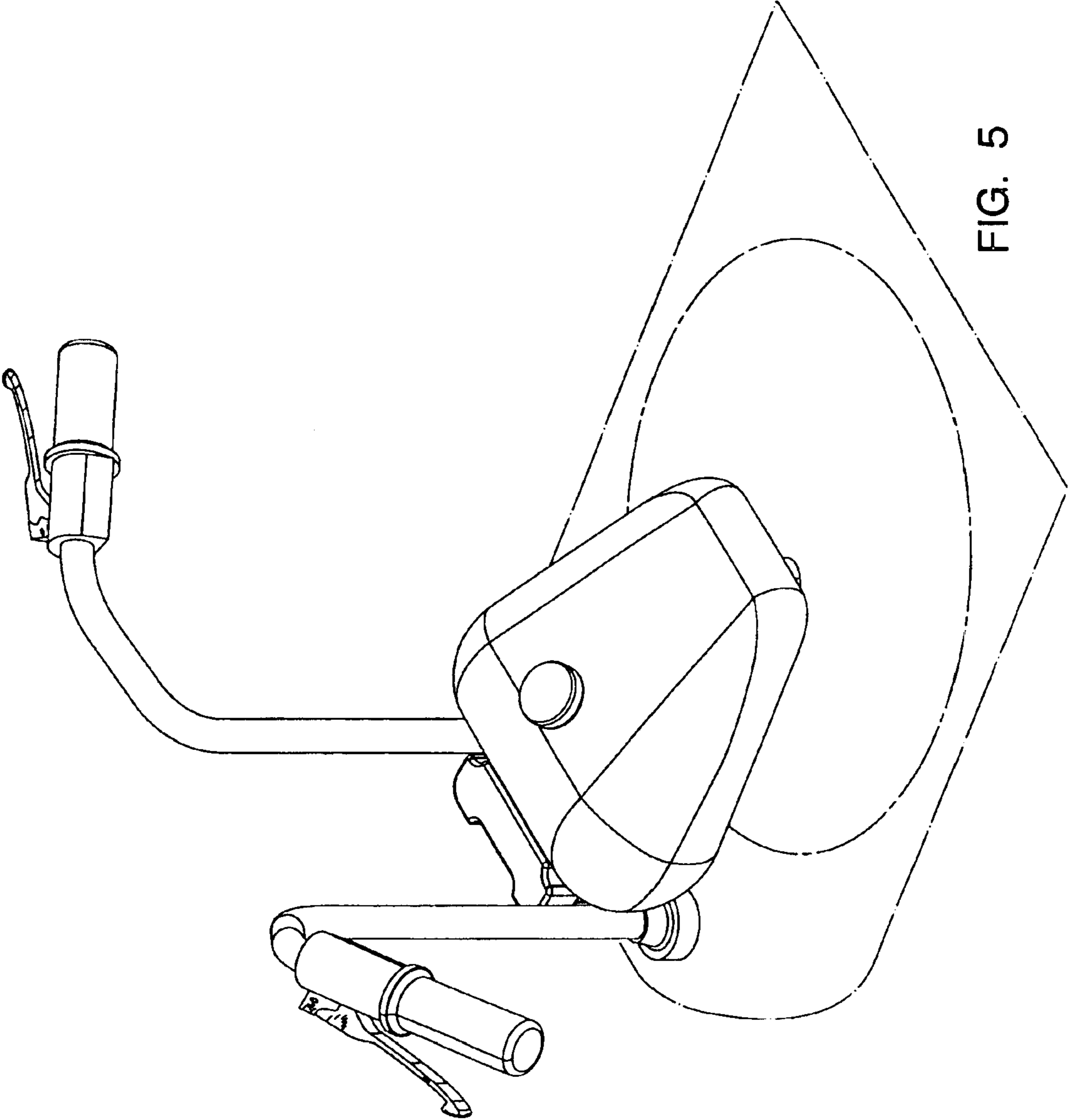


FIG. 5

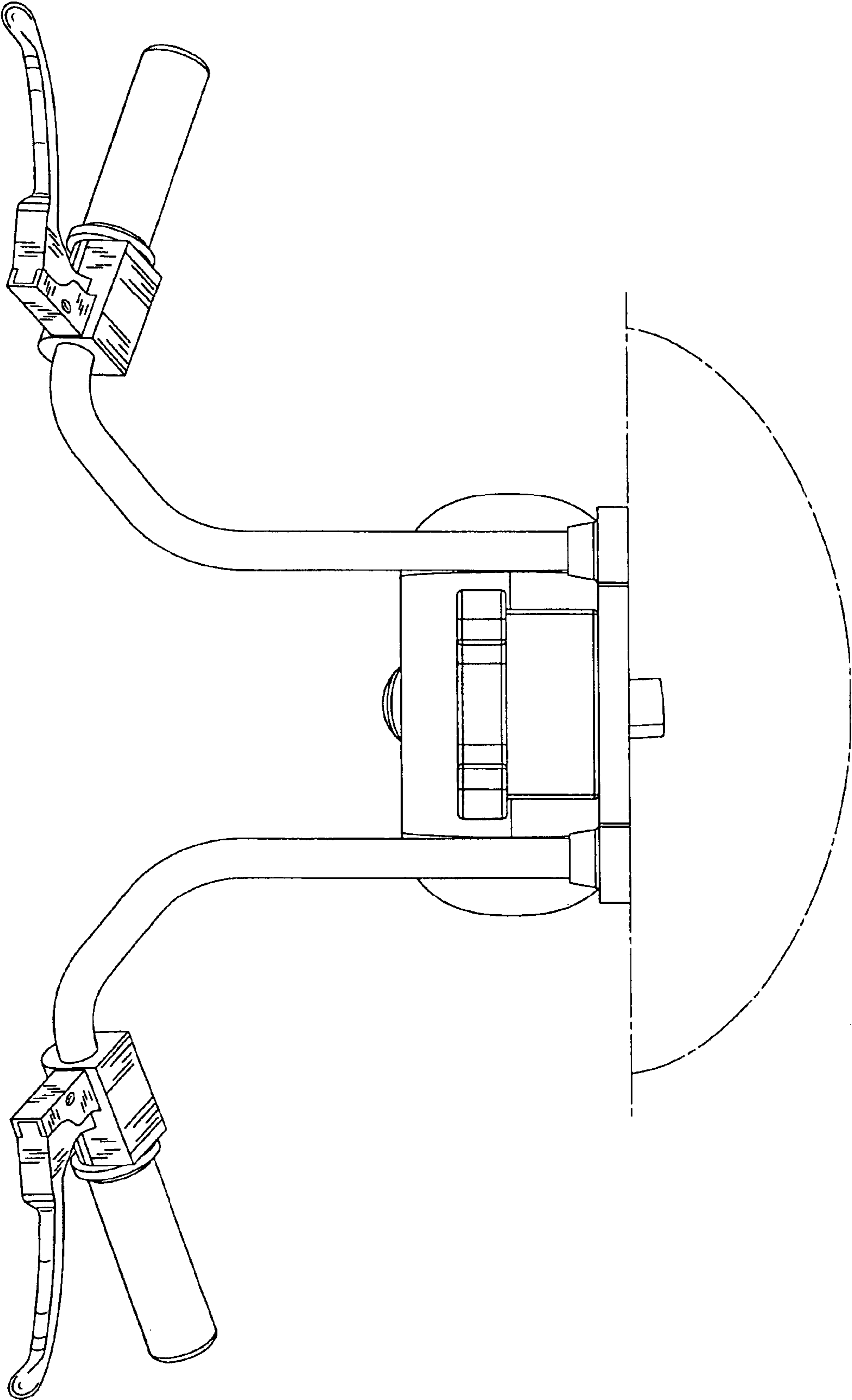


FIG. 6

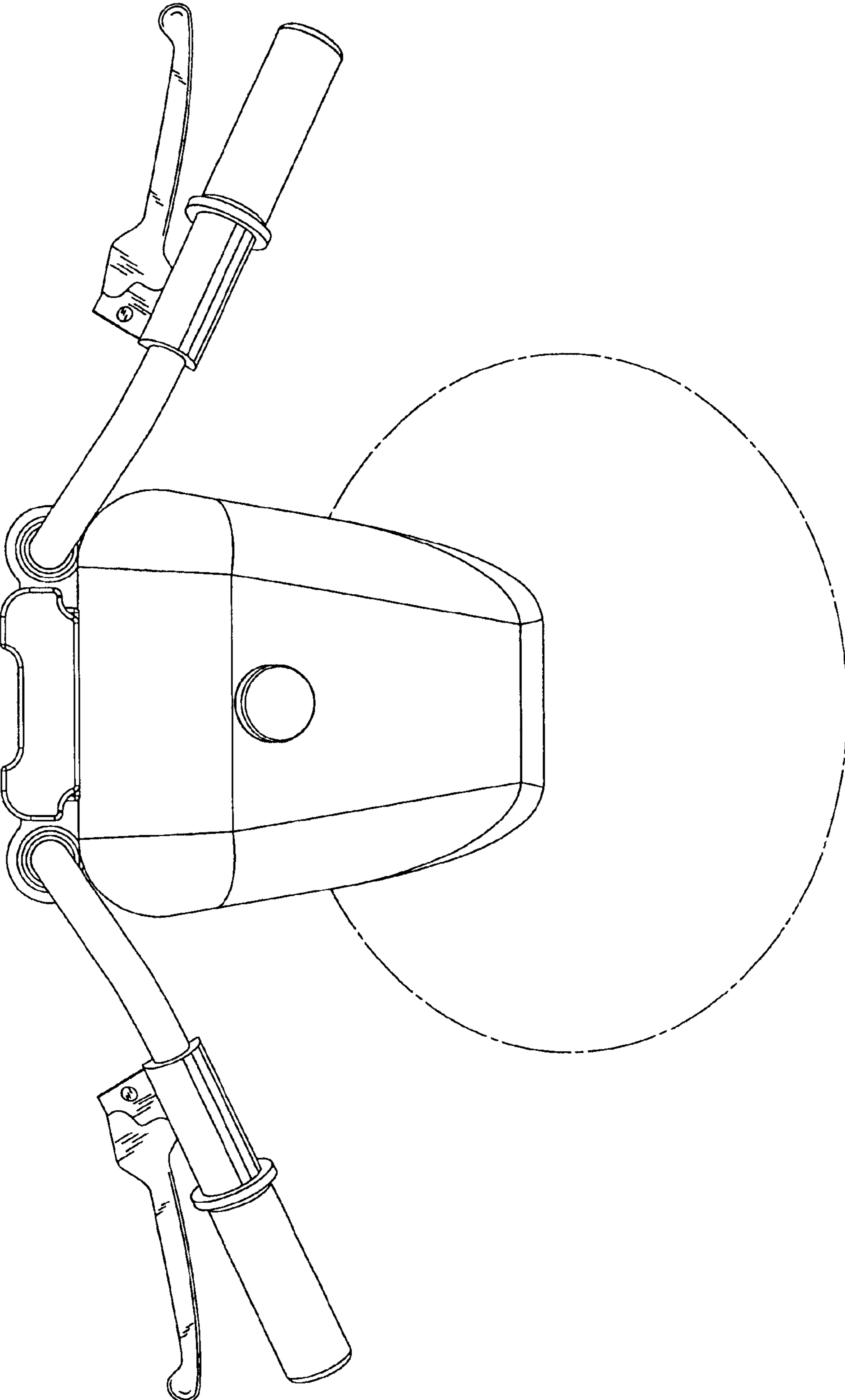


FIG. 7

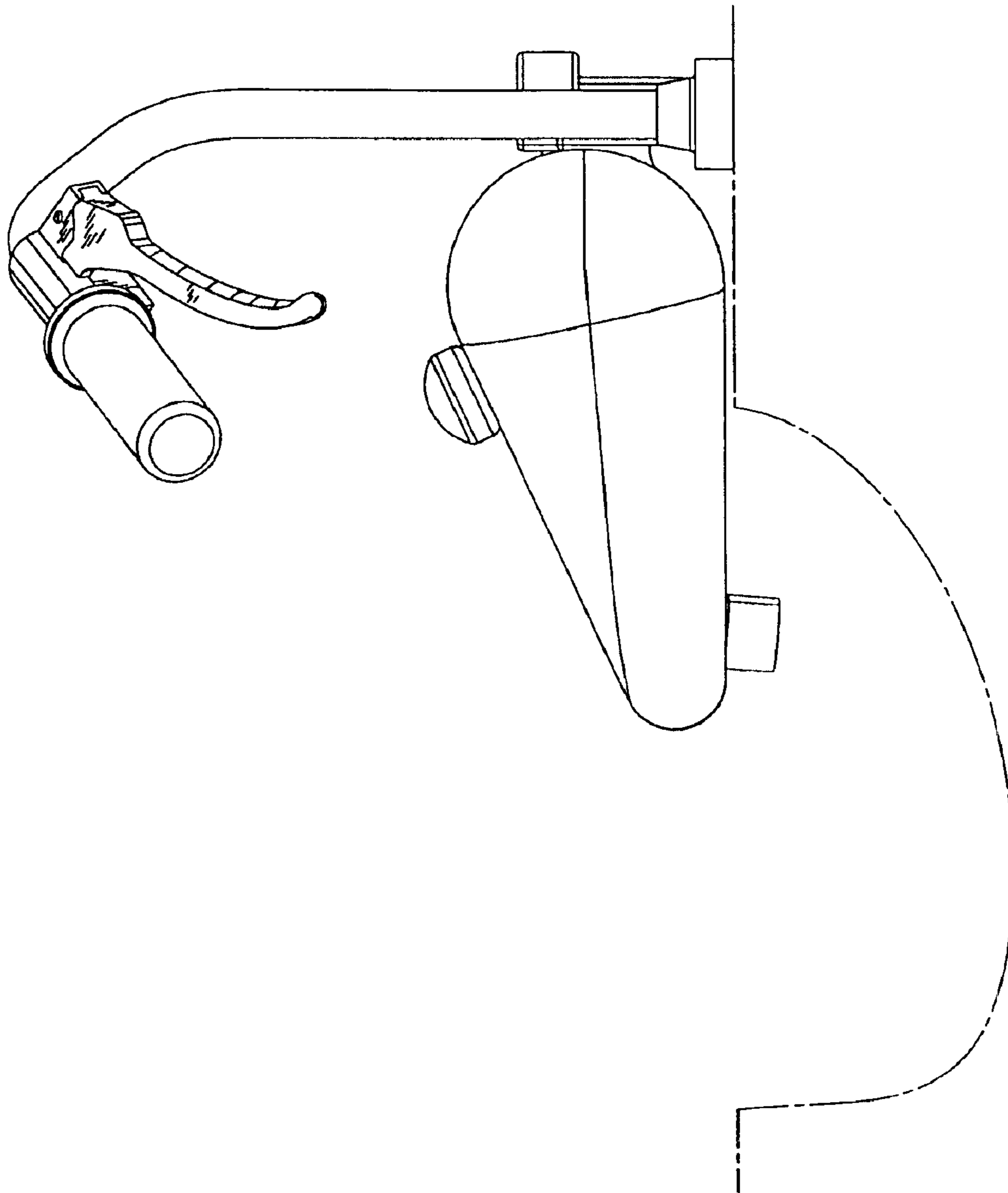


FIG. 8