

US00D506804S

(12) **United States Design Patent**
Maloney et al.

(10) **Patent No.:** **US D506,804 S**
(45) **Date of Patent:** **** Jun. 28, 2005**

(54) **POOL CHEMICAL DISPENSER**

(75) Inventors: **Kevin V. Maloney**, North Kingston, RI (US); **Alvin Costa**, Tiverton, RI (US); **Michael J. Gregg**, Parkland, FL (US)

(73) Assignee: **Zodiac Pool Care, Inc.**, Pompano Beach, FL (US)

(**) Term: **14 Years**

(21) Appl. No.: **29/201,141**

(22) Filed: **Mar. 11, 2004**

(51) **LOC (8) Cl.** **23-01**

(52) **U.S. Cl.** **D23/208**

(58) **Field of Search** D23/208, 210; 137/268; 210/169, 460, 461, 198.1

(56) **References Cited**

U.S. PATENT DOCUMENTS

4,217,331	A	*	8/1980	Schaub	422/265
4,606,893	A	*	8/1986	Sangster	422/265
4,828,805	A	*	5/1989	Connors	422/264
D316,290	S	*	4/1991	Judd et al.	D23/209
D451,979	S	*	12/2001	VanErdewyk	D23/208

D486,881 S * 2/2004 Pecci et al. D23/207

* cited by examiner

Primary Examiner—Robin V. Taylor

(74) *Attorney, Agent, or Firm*—Bruce D. Gray; Dean W. Kussell; Kilpatrick Stockton LLP

(57) **CLAIM**

The ornamental design for a pool chemical dispenser, as shown and described.

DESCRIPTION

FIG. 1 is a top elevational view of the new design for a pool chemical dispenser;

FIG. 2 is a bottom elevational view of the new design for a pool chemical dispenser;

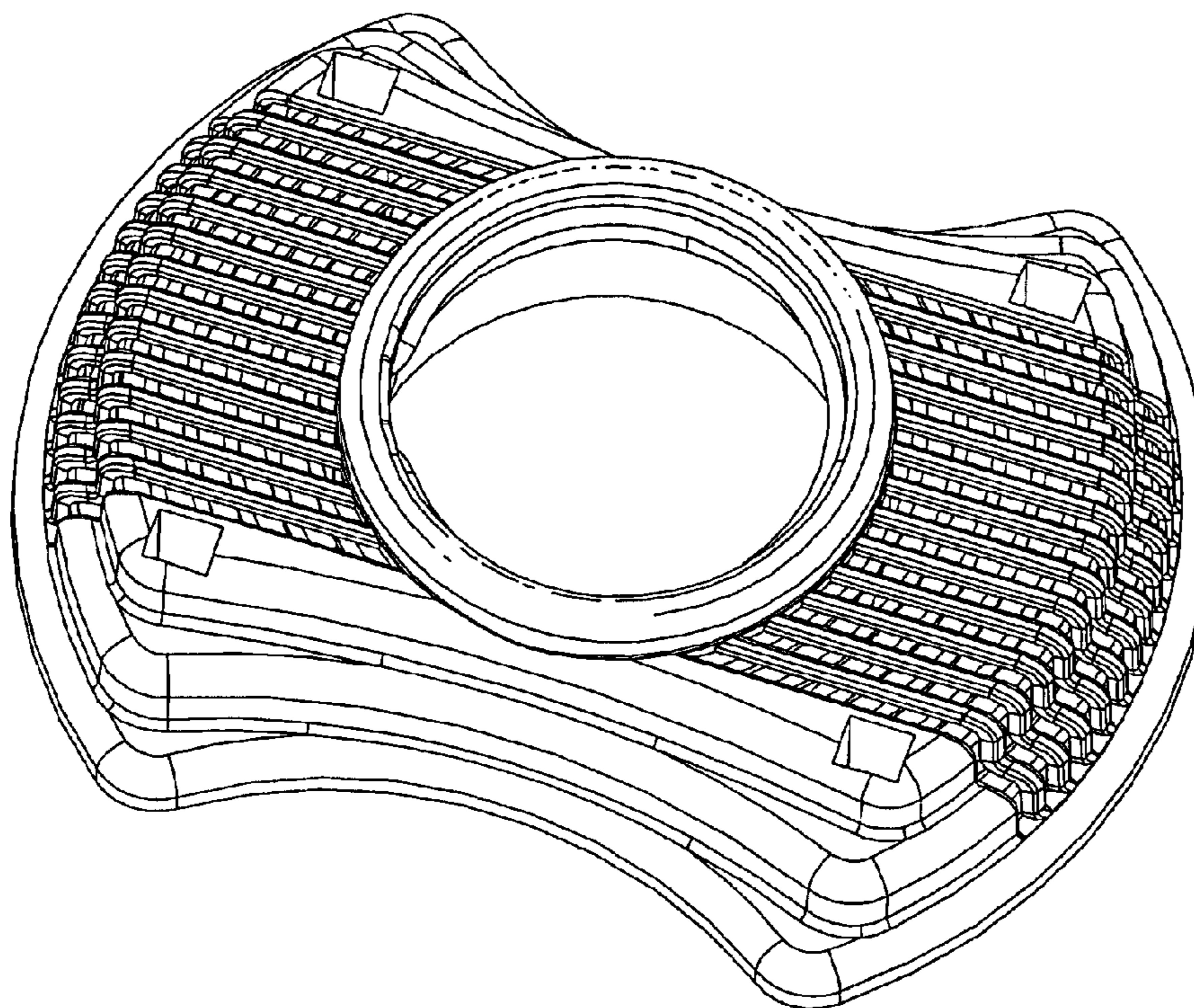
FIG. 3 is a left side plan view of the new design for a pool chemical dispenser, the right side being a mirror image of FIG. 3;

FIG. 4 is a front plan view of the new design for a pool chemical dispenser, the back being a mirror image of FIG. 4;

FIG. 5 is a top perspective view of the new design for a pool chemical dispenser; and,

FIG. 6 is a bottom perspective view of the new design for a pool chemical dispenser.

1 Claim, 5 Drawing Sheets



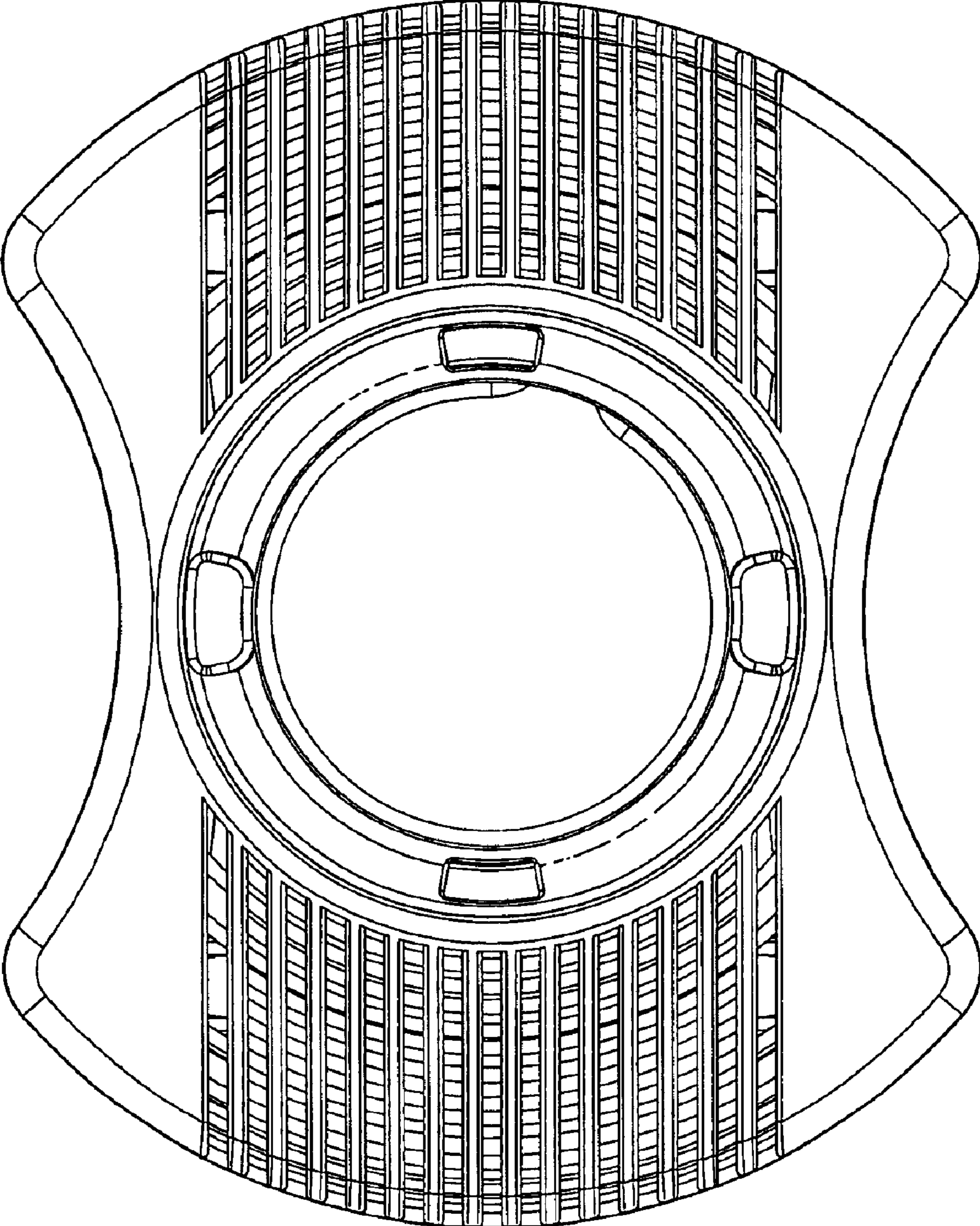


FIG. 1

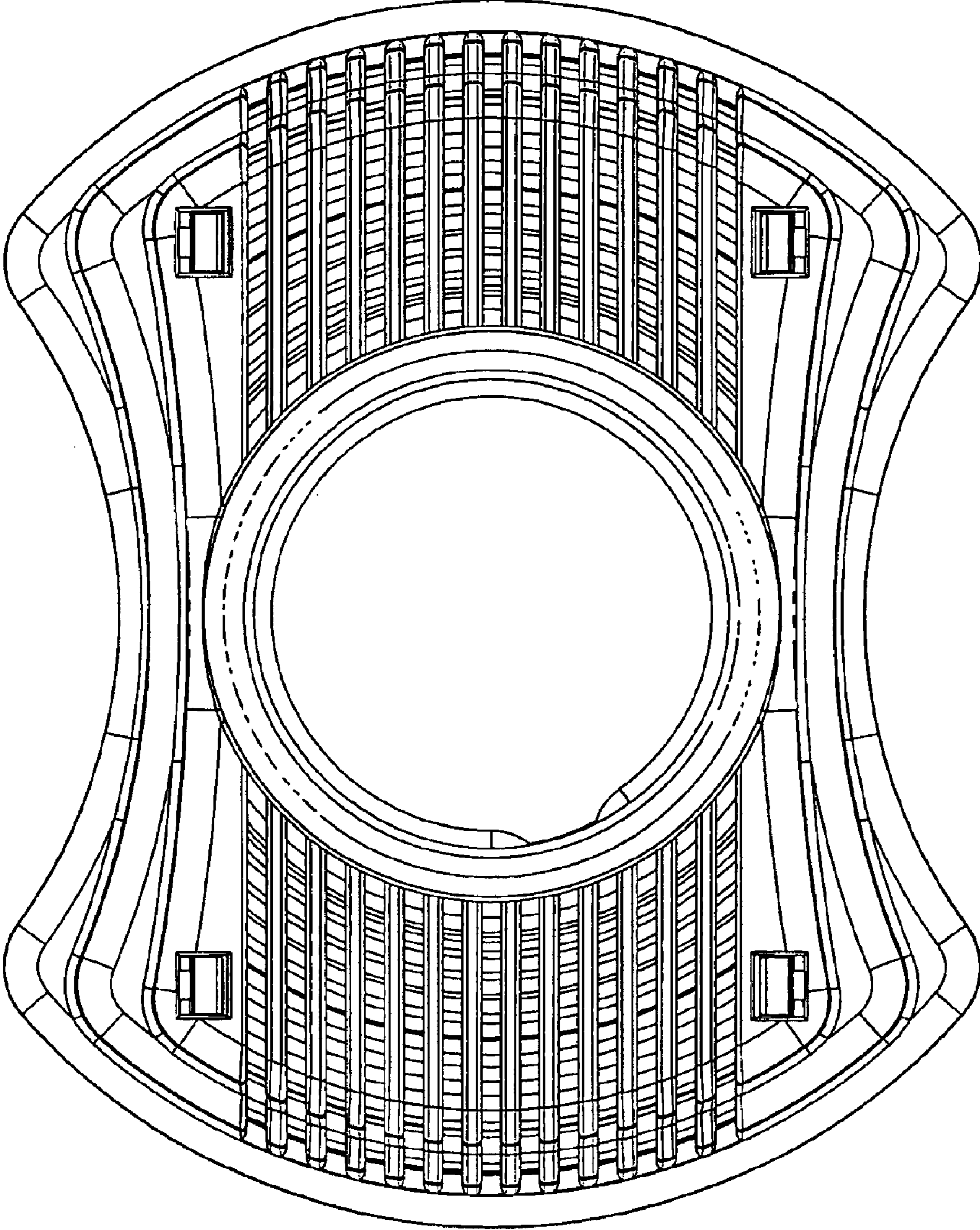


FIG. 2

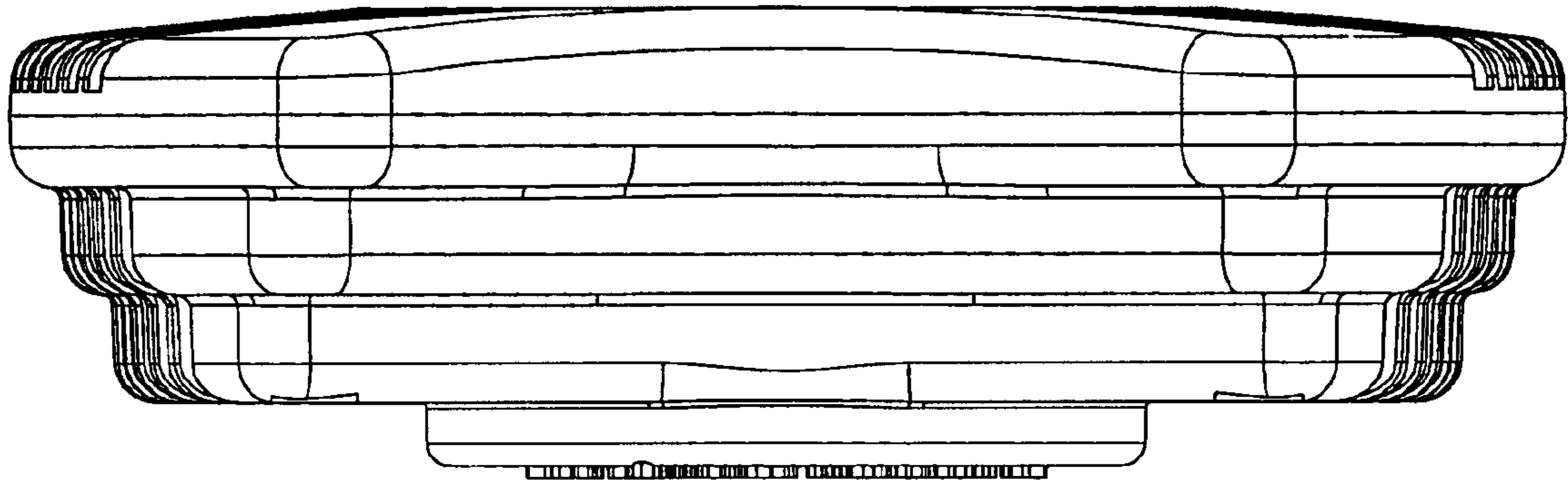


FIG. 3

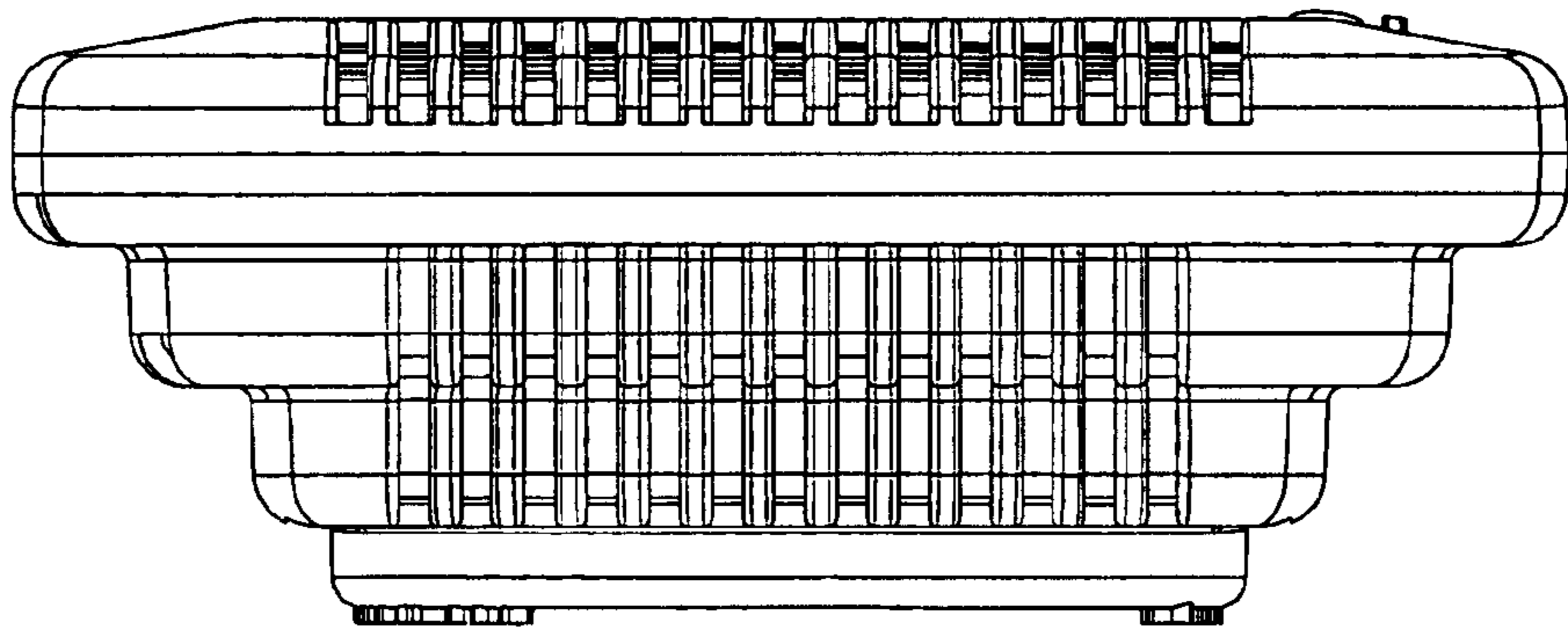


FIG. 4

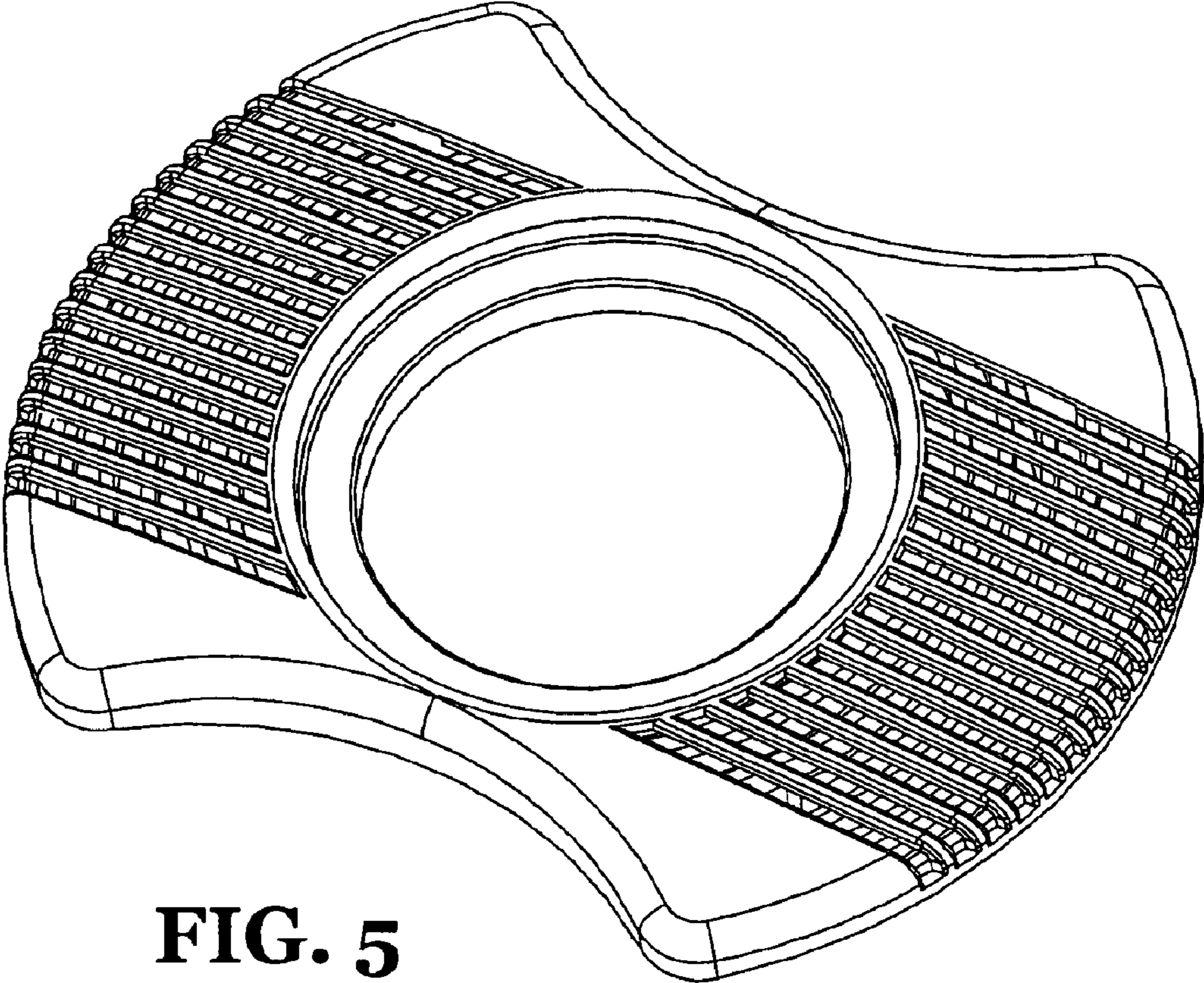


FIG. 5

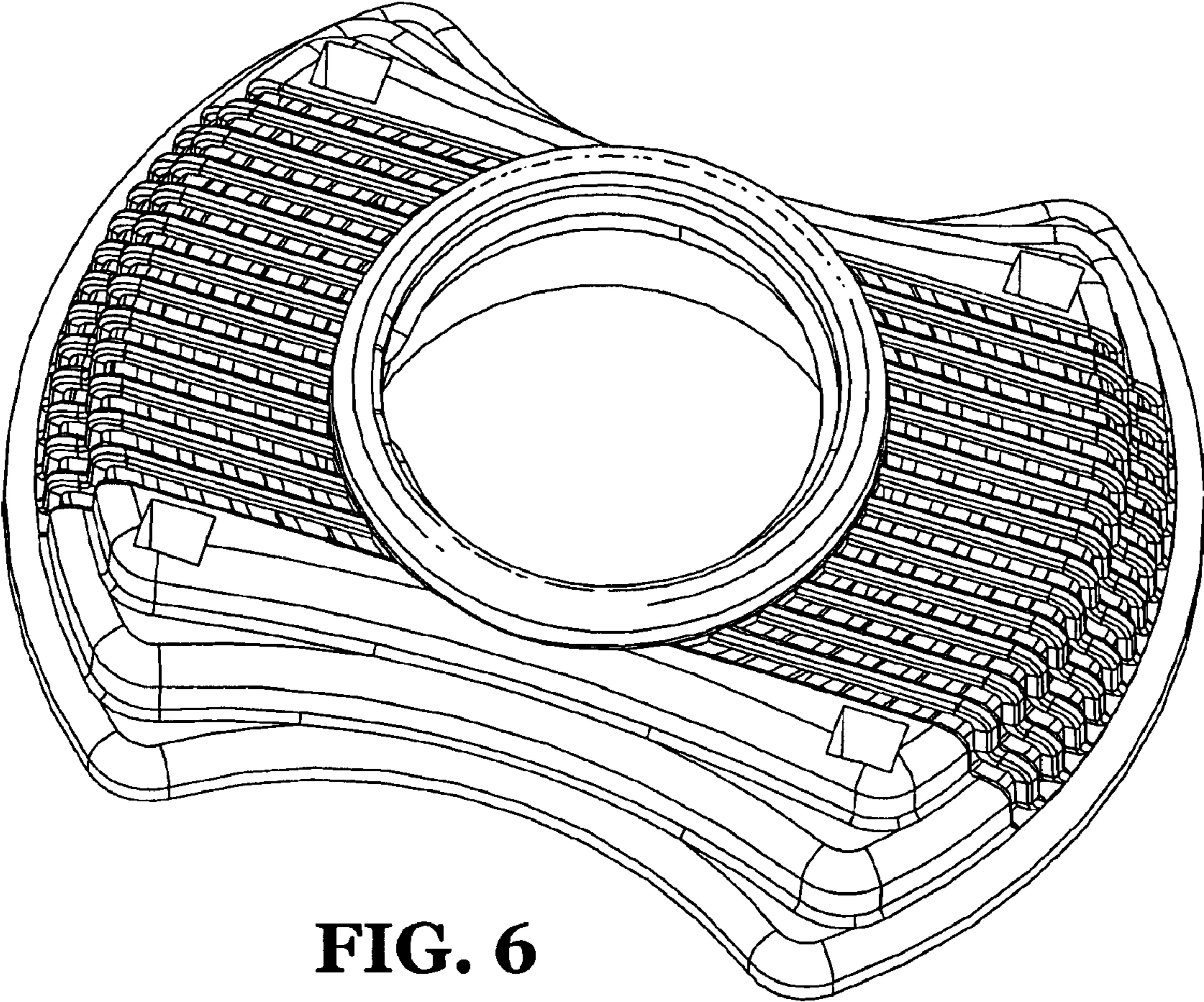


FIG. 6