



US00D506803S

(12) **United States Design Patent**
Love et al.

(10) **Patent No.: US D506,803 S**
(45) **Date of Patent: ** Jun. 28, 2005**

(54) **LAVATORY DEVICE**

D481,099 S * 10/2003 Legeay D23/208
D481,100 S * 10/2003 Legeay D23/208
D484,566 S * 12/2003 Legeay D23/208

(75) Inventors: **Michael David Love**, 108 Gloucester Rd., Parsippany, NJ (US) 07054;
Lamson Nguyen, 278 Maple Ave., Somerset, NJ (US) 08873

* cited by examiner

(73) Assignees: **Michael David Love**, Parsippany, NJ (US); **Lamson Nguyen**, Parsippany, NJ (US)

Primary Examiner—Robin V. Taylor
(74) *Attorney, Agent, or Firm*—Norris McLaughlin & Marcus, PA

(**) Term: **14 Years**

(57) **CLAIM**

The ornamental design for a lavatory device, as shown and described.

(21) Appl. No.: **29/194,171**

DESCRIPTION

(22) Filed: **Nov. 20, 2003**

(30) **Foreign Application Priority Data**

May 23, 2003 (GB) 3012850

(51) **LOC (8) Cl.** **23-01**

(52) **U.S. Cl.** **D23/208**

(58) **Field of Search** D23/208; 4/231, 4/223, 225.1, 227.1

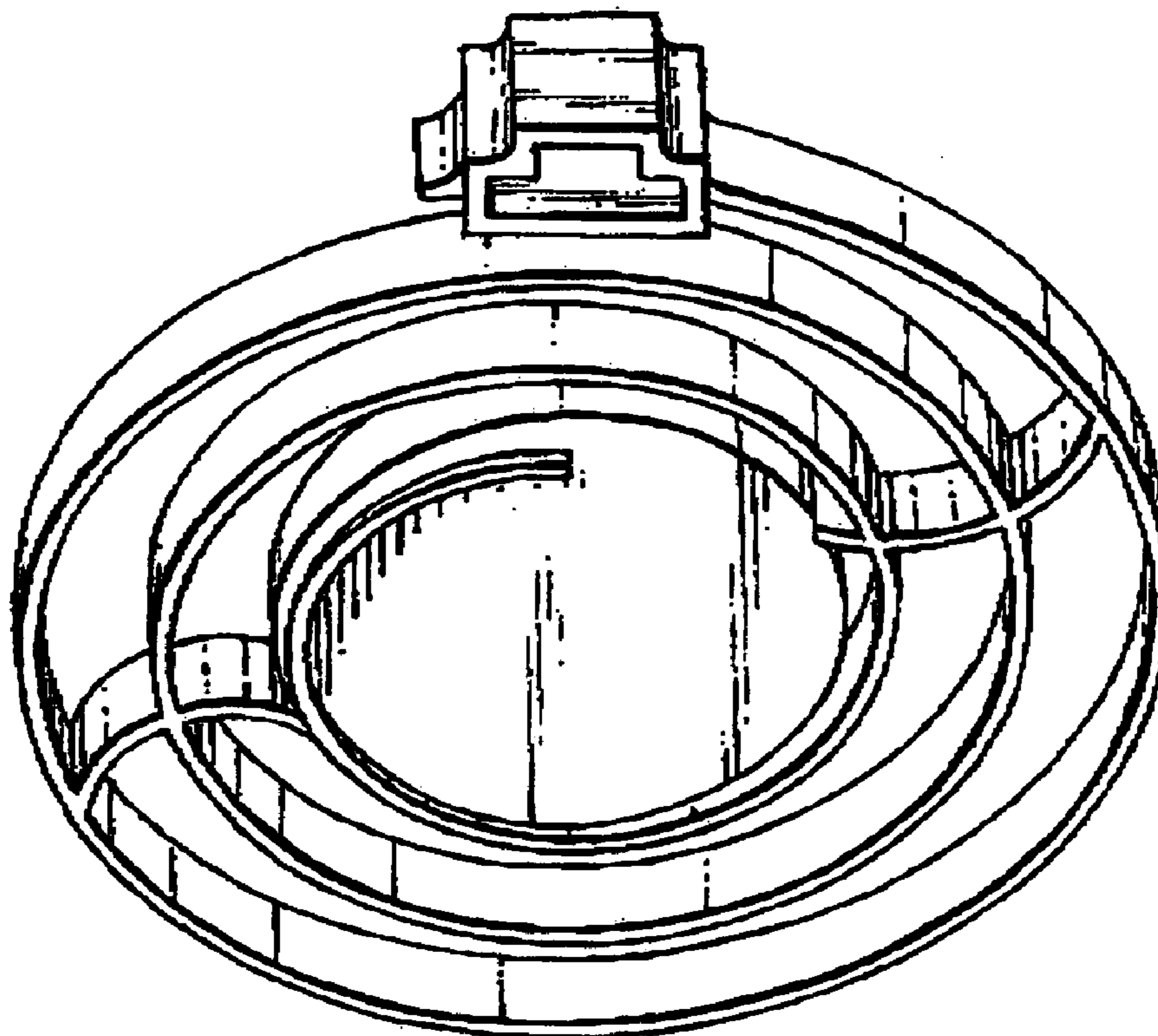
FIG. 1 is a perspective view from one side of the lavatory device.
FIG. 2 is a plan view of the top of the lavatory device.
FIG. 3 is a plan view of the bottom of the lavatory device.
FIG. 4 is a plan view of the front of the lavatory device.
FIG. 5 is a plan view of the back of the lavatory device.
FIG. 6 is a plan view of the side of the lavatory device depicted on FIG. 4.
FIG. 7 is a plan view of the other side of the lavatory device depicted on FIG. 5; and,
FIG. 8 is a perspective view from the top of the lavatory device.

(56) **References Cited**

U.S. PATENT DOCUMENTS

RE32,017 E * 11/1985 Hautmann et al. 4/231
6,389,610 B1 * 5/2002 Hautmann et al. 4/231

1 Claim, 8 Drawing Sheets



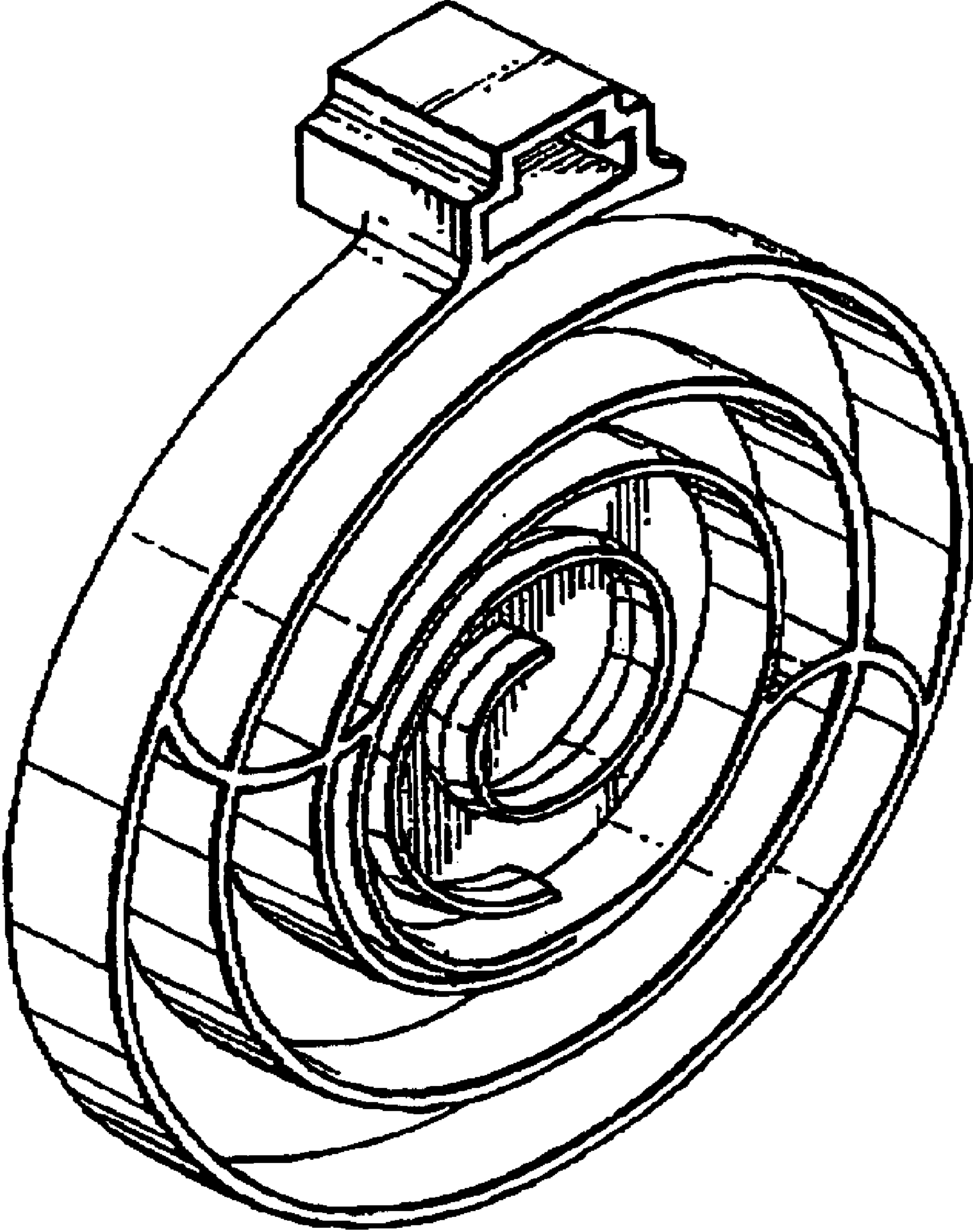


FIGURE 1

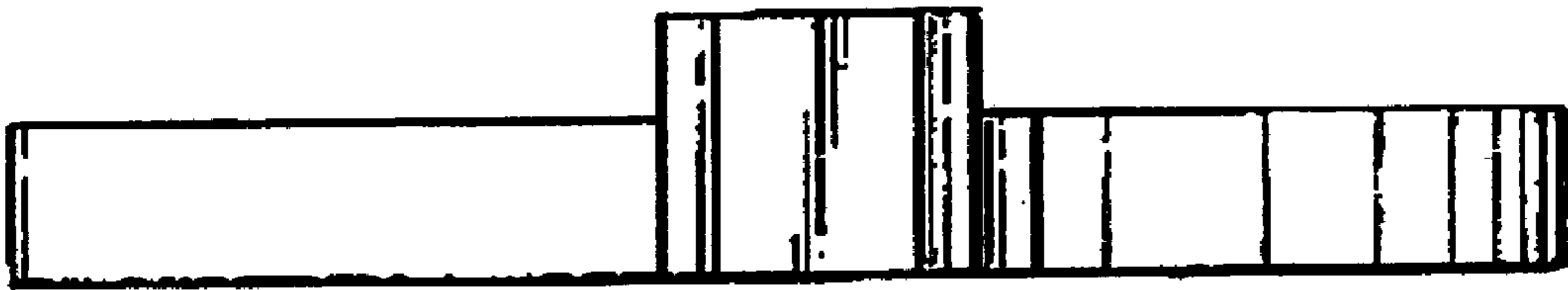


FIGURE 2

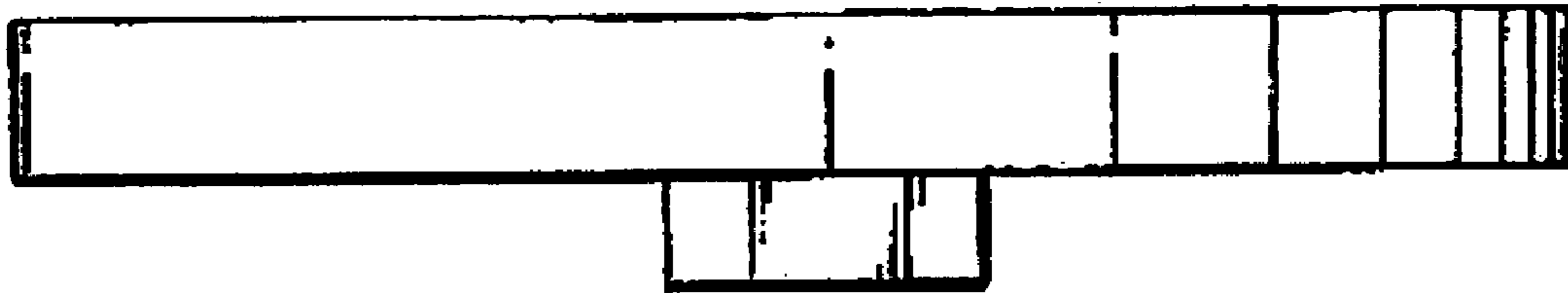


FIGURE 3

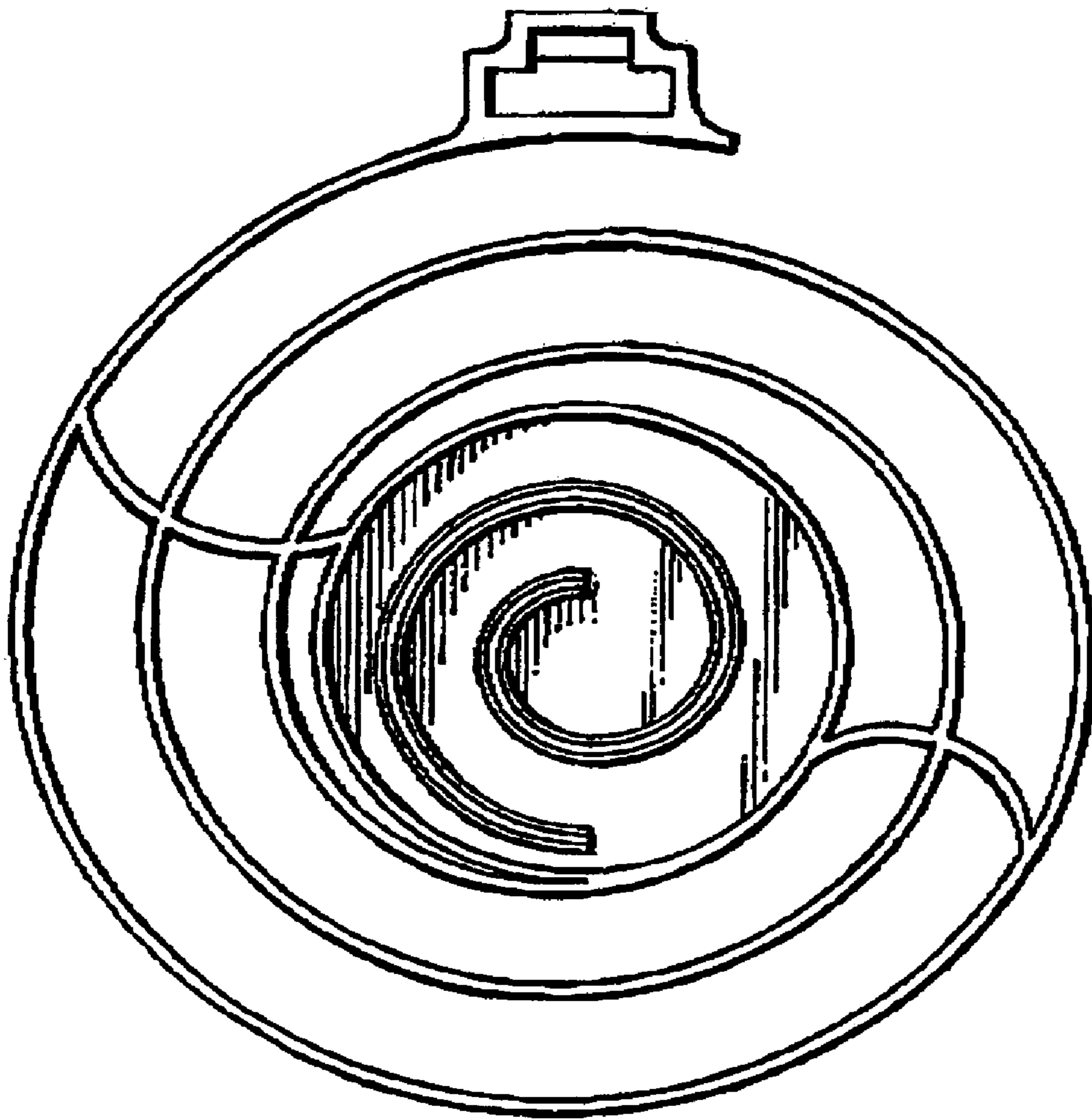


FIGURE 4

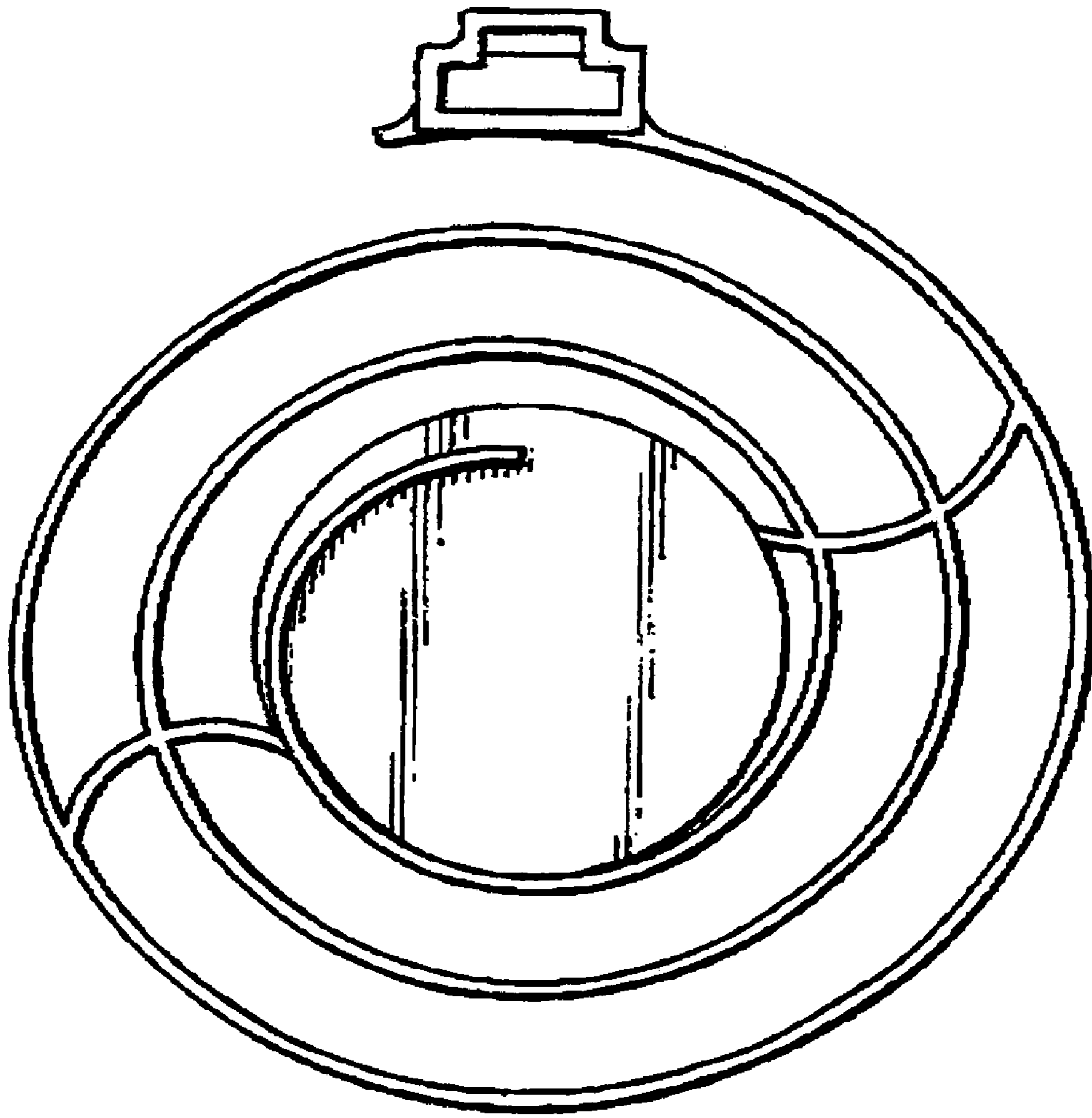


FIGURE 5



FIGURE 6

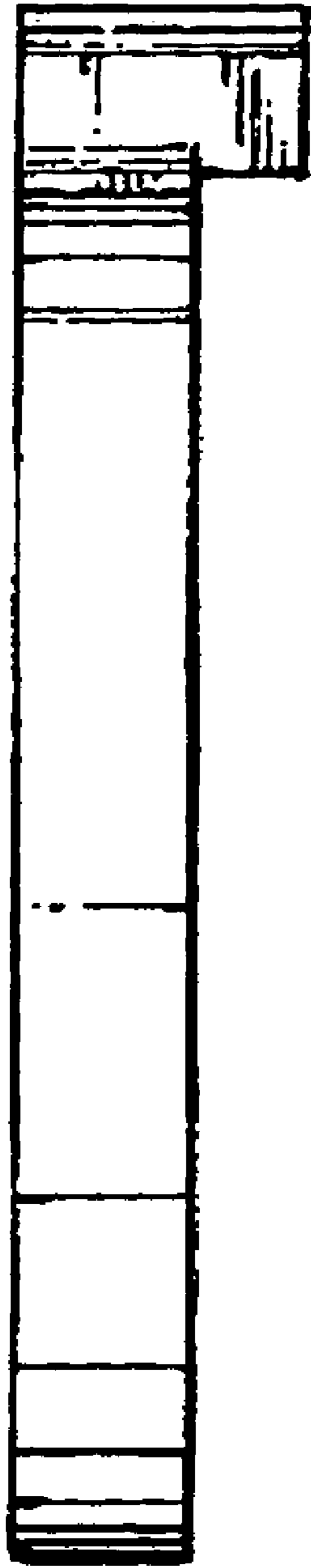


FIGURE 7

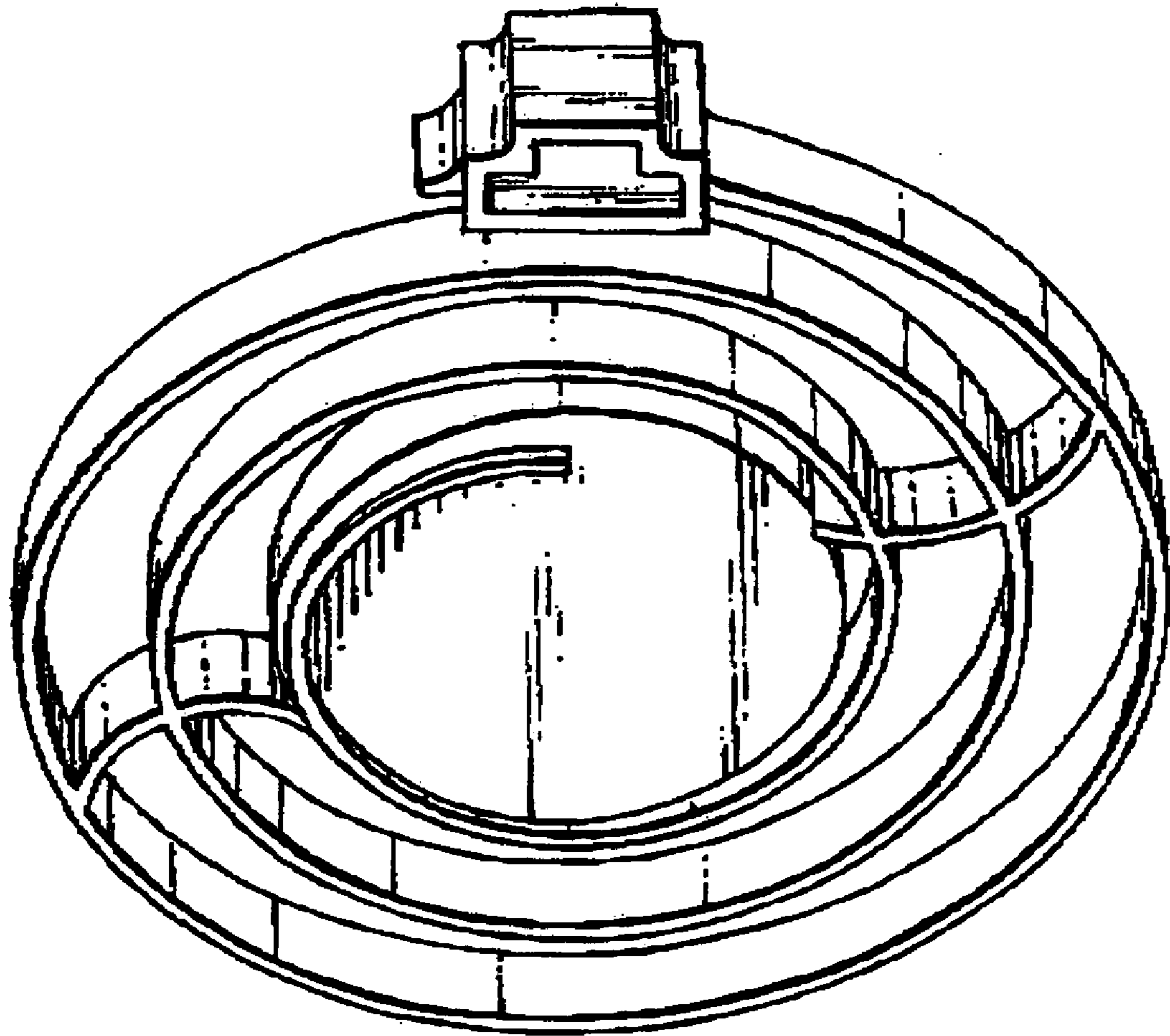


FIGURE 8