

US00D506799S

(12) **United States Design Patent**
Beyers

(10) **Patent No.:** **US D506,799 S**
(45) **Date of Patent:** **** Jun. 28, 2005**

(54) **PITCH MARK REPAIR TOOL**

(76) **Inventor:** **Jan Georg Solms Beyers, Farm**
Kromrivier, Caledon, 7230 (ZA)

(**) **Term:** **14 Years**

(21) **Appl. No.:** **29/202,580**

(22) **Filed:** **Apr. 1, 2004**

(30) **Foreign Application Priority Data**

Oct. 6, 2003 (ZA) A2003/01213

(51) **LOC (8) Cl.** **21-02**

(52) **U.S. Cl.** **D21/793**

(58) **Field of Search** D21/789, 793,
D21/794; 473/286, 408

(56) **References Cited**

U.S. PATENT DOCUMENTS

D308,713 S * 6/1990 Sherry D21/793
5,094,456 A * 3/1992 Mitchell 473/286

D385,939 S * 11/1997 Suk D21/794
6,077,170 A * 6/2000 Hawkins 473/286
D457,932 S * 5/2002 Bellville D21/789
D462,408 S * 9/2002 Kerr D21/789

* cited by examiner

Primary Examiner—Mitchell Siegel

(74) *Attorney, Agent, or Firm*—Marshall A. Lerner, Esq.;
Finn T. Simmens, Esq.; Kleinberg & Lerner, LLP

(57) **CLAIM**

The ornamental design for a pitch mark repair tool, as shown.

DESCRIPTION

FIG. 1 is a side view of a pitch mark repair tool showing my new design;

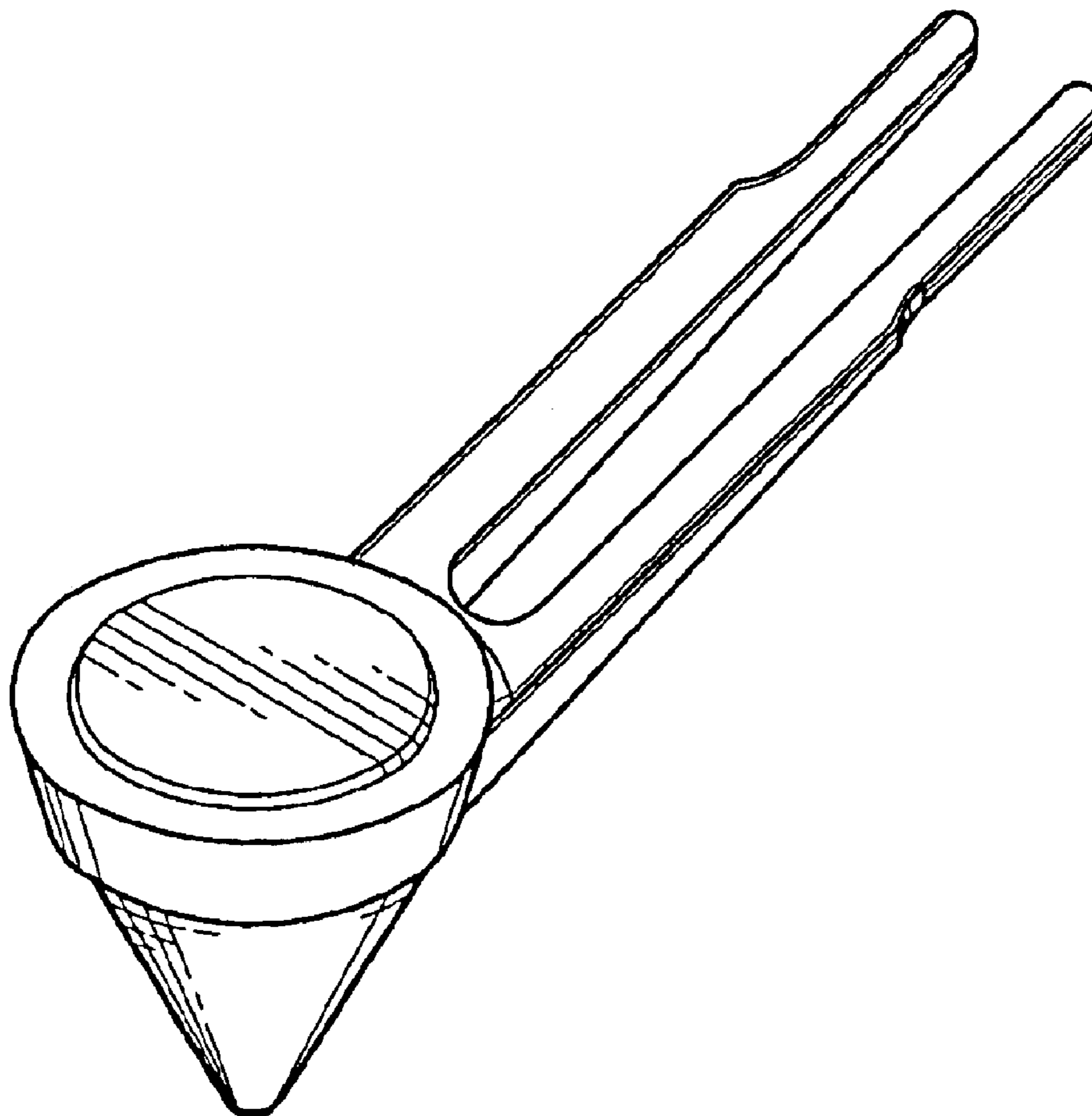
FIG. 2 is a top view thereof;

FIG. 3 is a first end view thereof;

FIG. 4 is a second end view thereof; and,

FIG. 5 is a perspective view thereof.

1 Claim, 1 Drawing Sheet



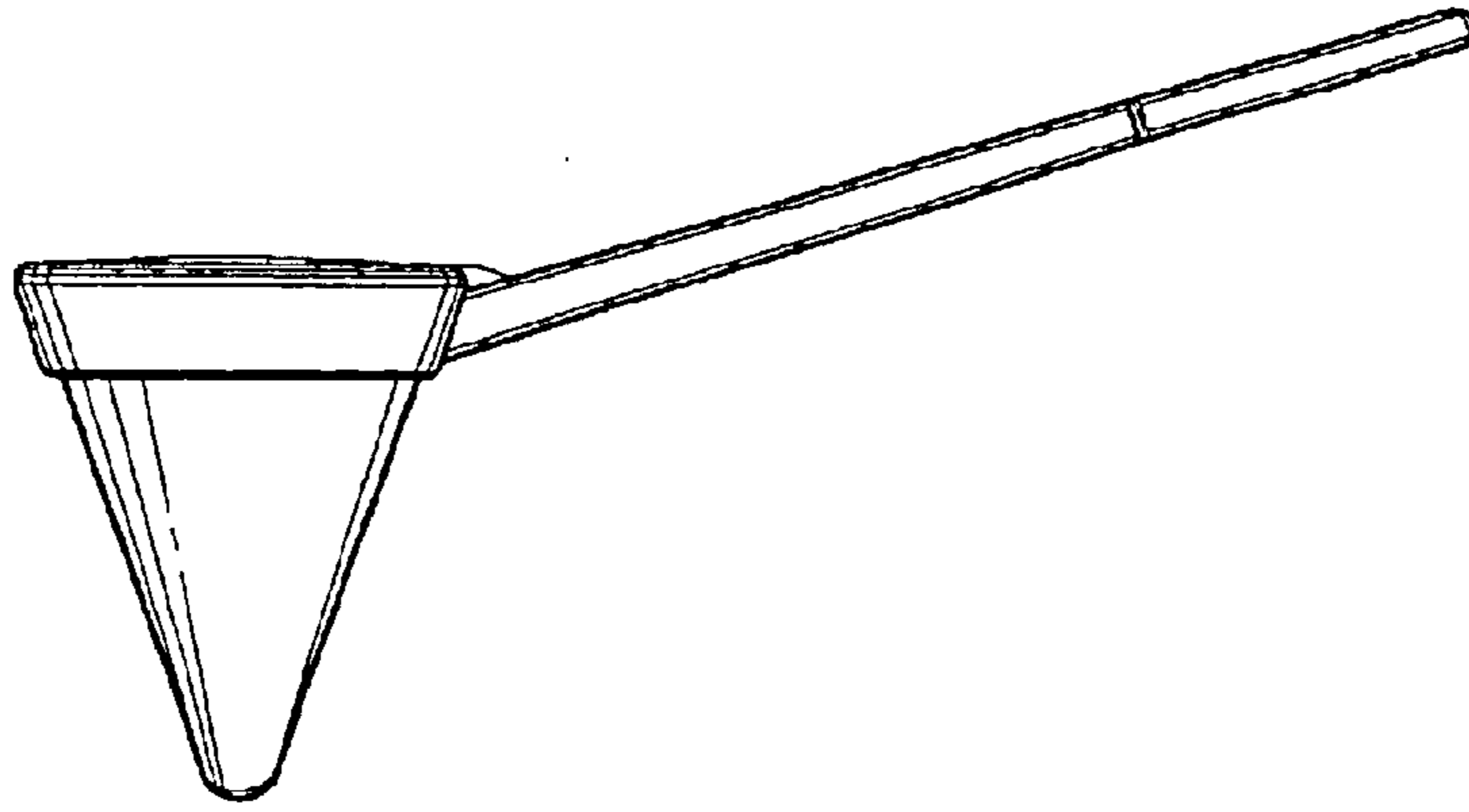


Fig 1

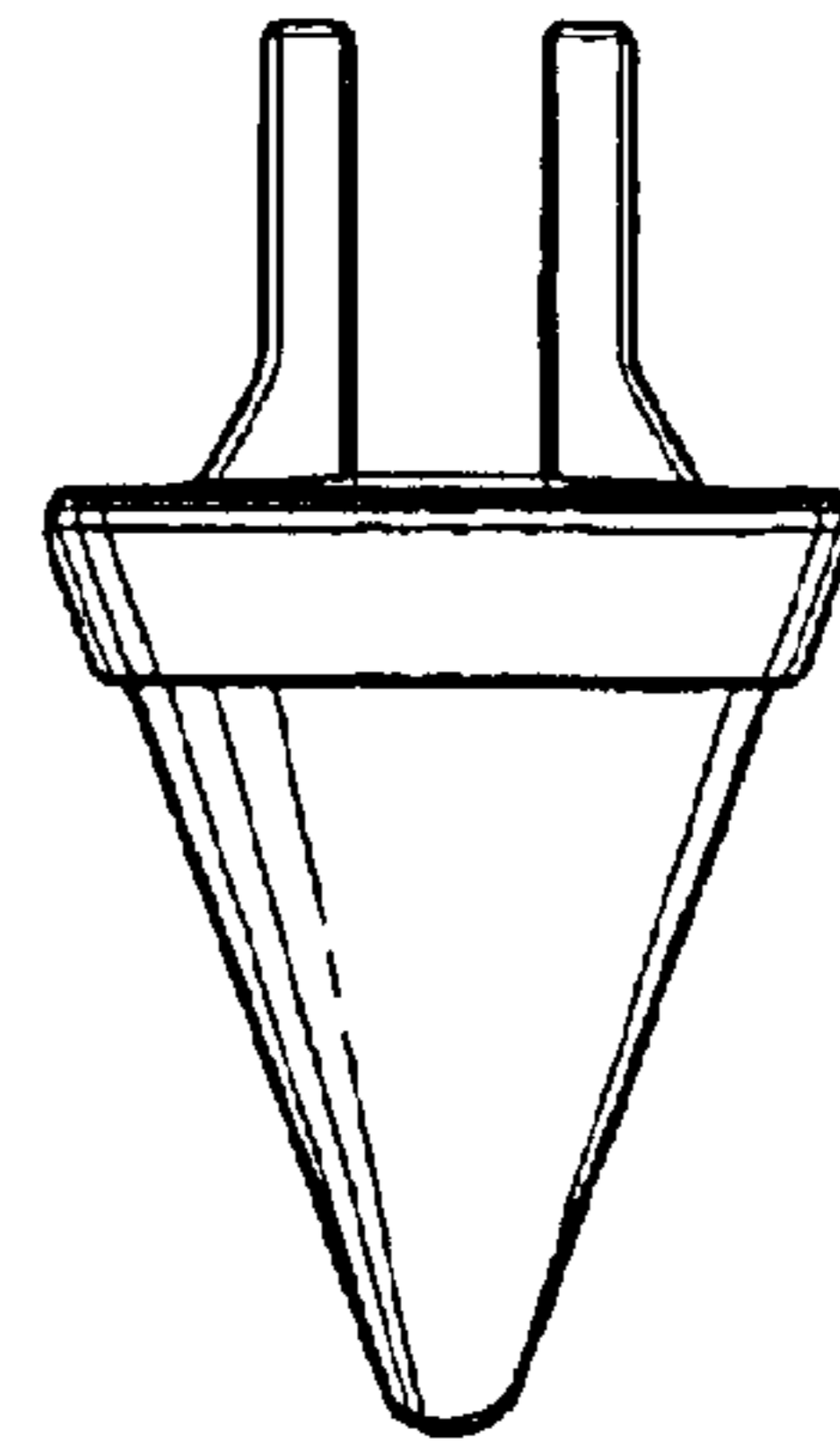


Fig 3

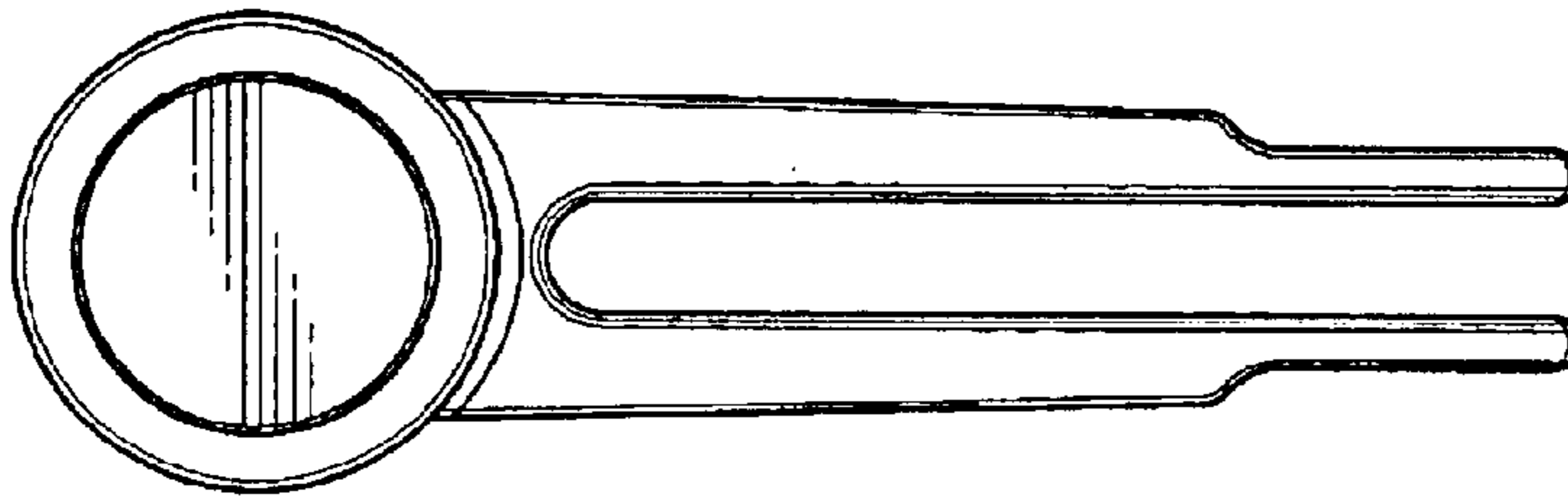


Fig 2

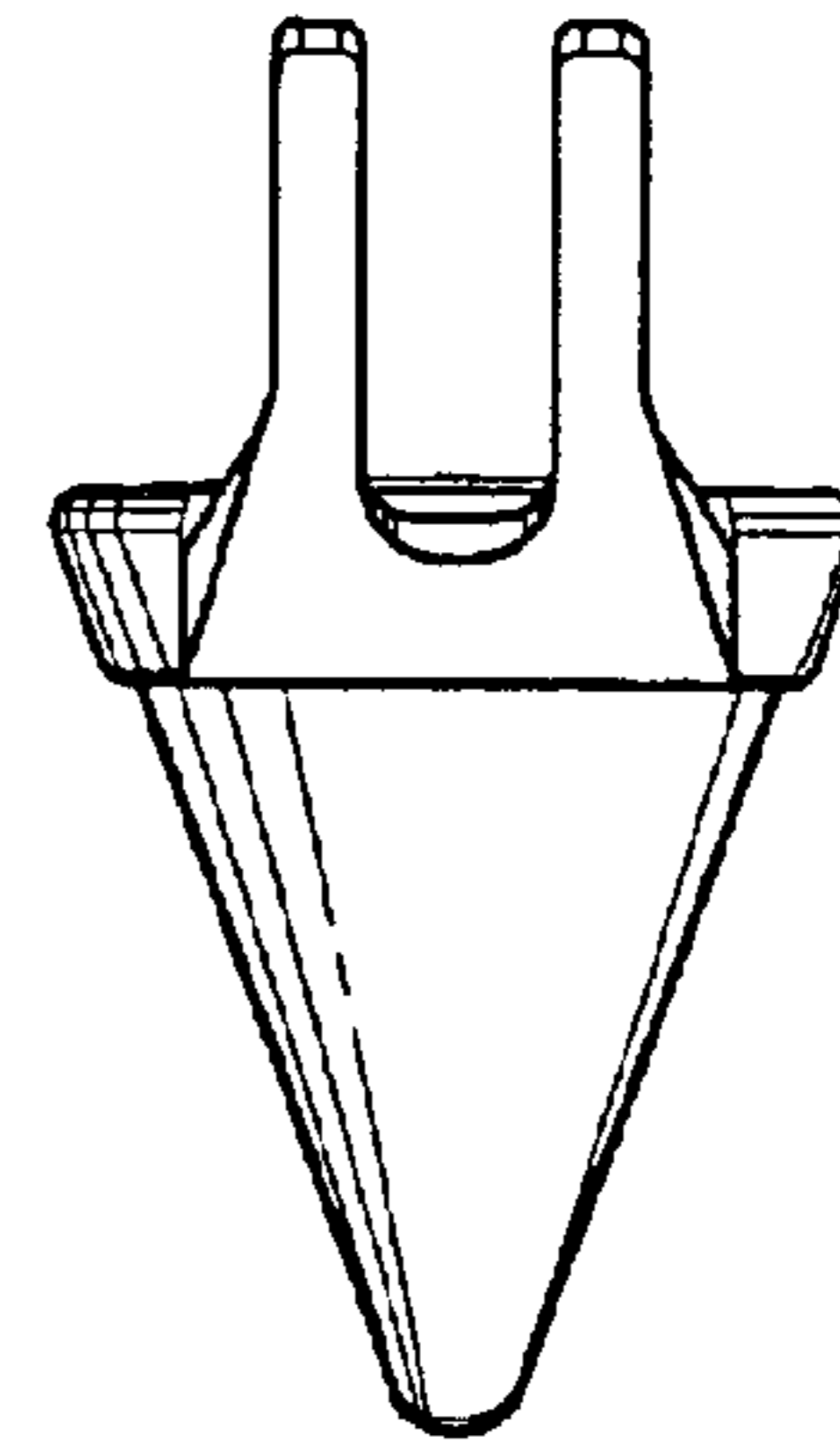


Fig 4

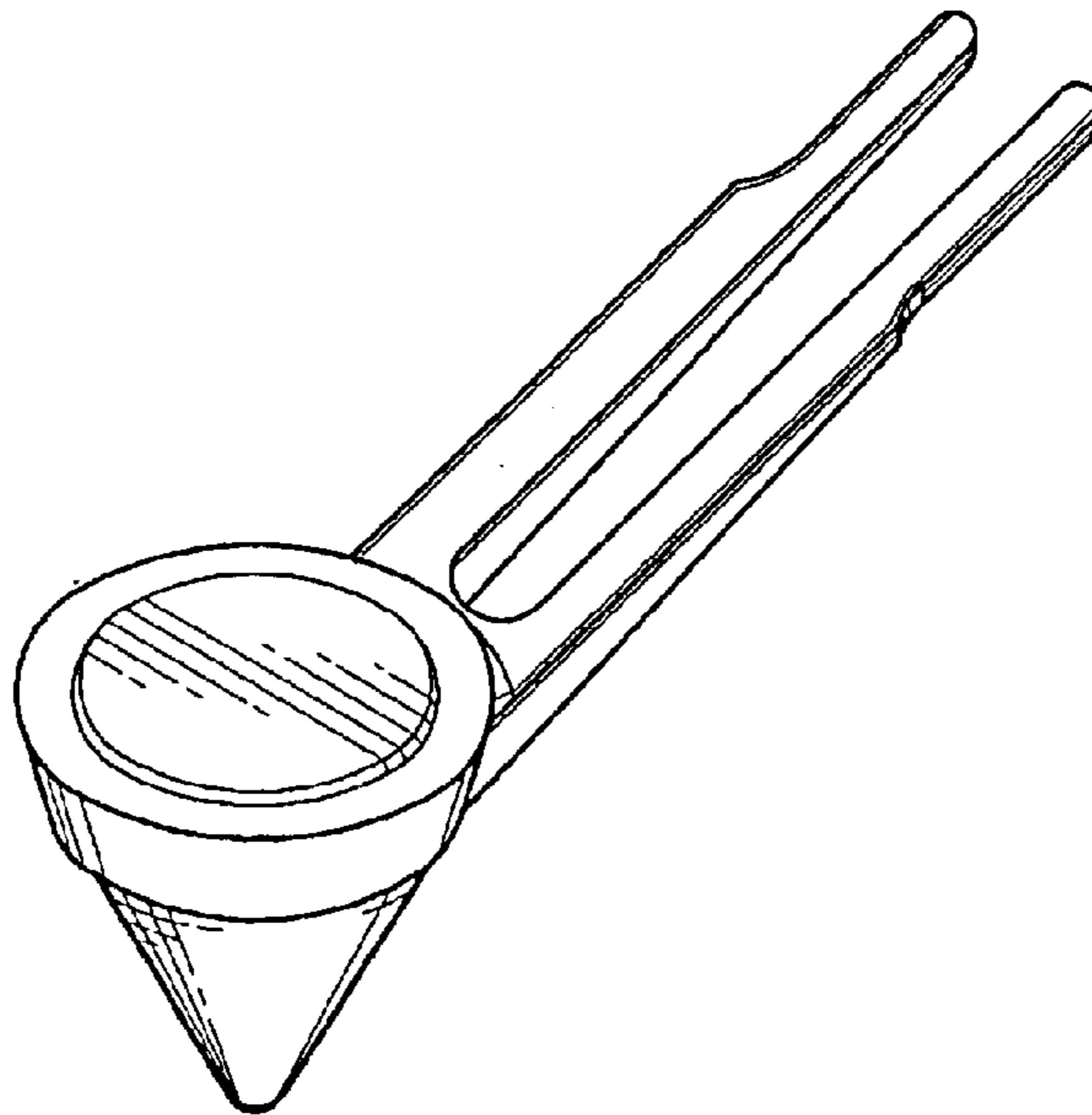


Fig 5