

US00D506795S

(12) **United States Design Patent**
Petersen

(10) **Patent No.:** **US D506,795 S**
(45) **Date of Patent:** **** Jun. 28, 2005**

(54) **GOLF PUTTER HEAD**

(75) Inventor: **David L. Petersen**, Phoenix, AZ (US)

(73) Assignee: **Karsten Manufacturing Corporation**,
Phoenix, AZ (US)

(**) Term: **14 Years**

(21) Appl. No.: **29/199,616**

(22) Filed: **Feb. 17, 2004**

(51) **LOC (8) Cl.** **21-02**

(52) **U.S. Cl.** **D21/742**

(58) **Field of Search** D21/736-746;
473/324-331, 340, 341, 251-256

(56) **References Cited**

U.S. PATENT DOCUMENTS

D379,484 S	5/1997	Solheim	
D380,029 S	6/1997	Anderson	
D396,896 S	* 8/1998	Casteel D21/742
D399,911 S	10/1998	Nicolette	
D405,137 S	2/1999	Nelson	
D410,717 S	6/1999	Anderson	
D411,271 S	6/1999	Nelson	
D430,631 S	* 9/2000	Garcia D21/742
D444,833 S	7/2001	Wells	
D451,973 S	12/2001	Wells	
D472,949 S	4/2003	Serrano	

D474,821 S	5/2003	Wells	
D485,322 S	* 1/2004	Madore D21/742
D485,880 S	* 1/2004	Madore et al. D21/759
D496,416 S	* 9/2004	Garcia D21/738

* cited by examiner

Primary Examiner—Mitchell Siegel

(74) *Attorney, Agent, or Firm*—Darrell F. Marquette

(57) **CLAIM**

I claim the ornamental design for a golf putter head, as shown and described.

DESCRIPTION

FIG. 1 is a top plan view of a golf putter head showing my new design;

FIG. 2 is a cross-sectional view of the golf putter head taken along the lines 2—2 in FIG. 1;

FIG. 3 is a rear elevational view of the golf putter head shown in FIG. 1;

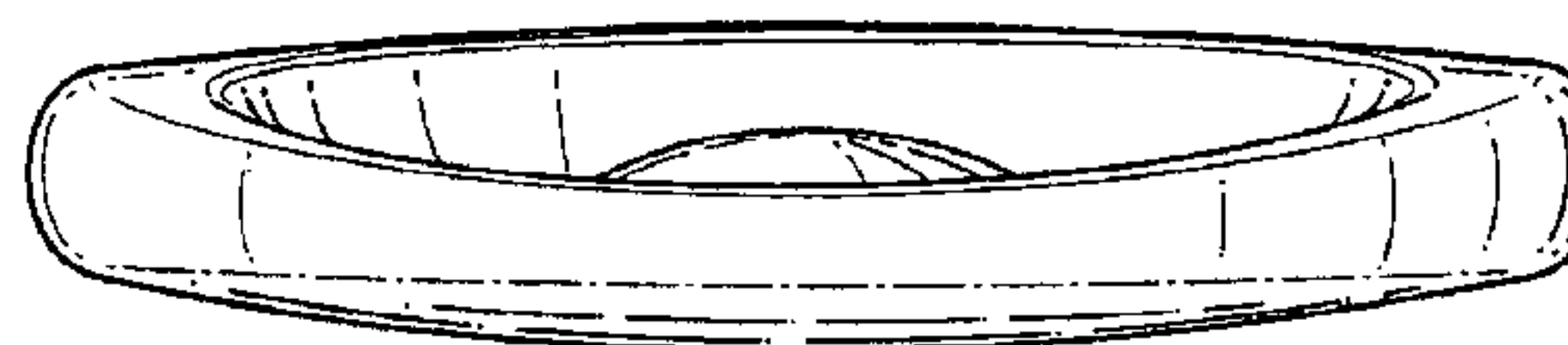
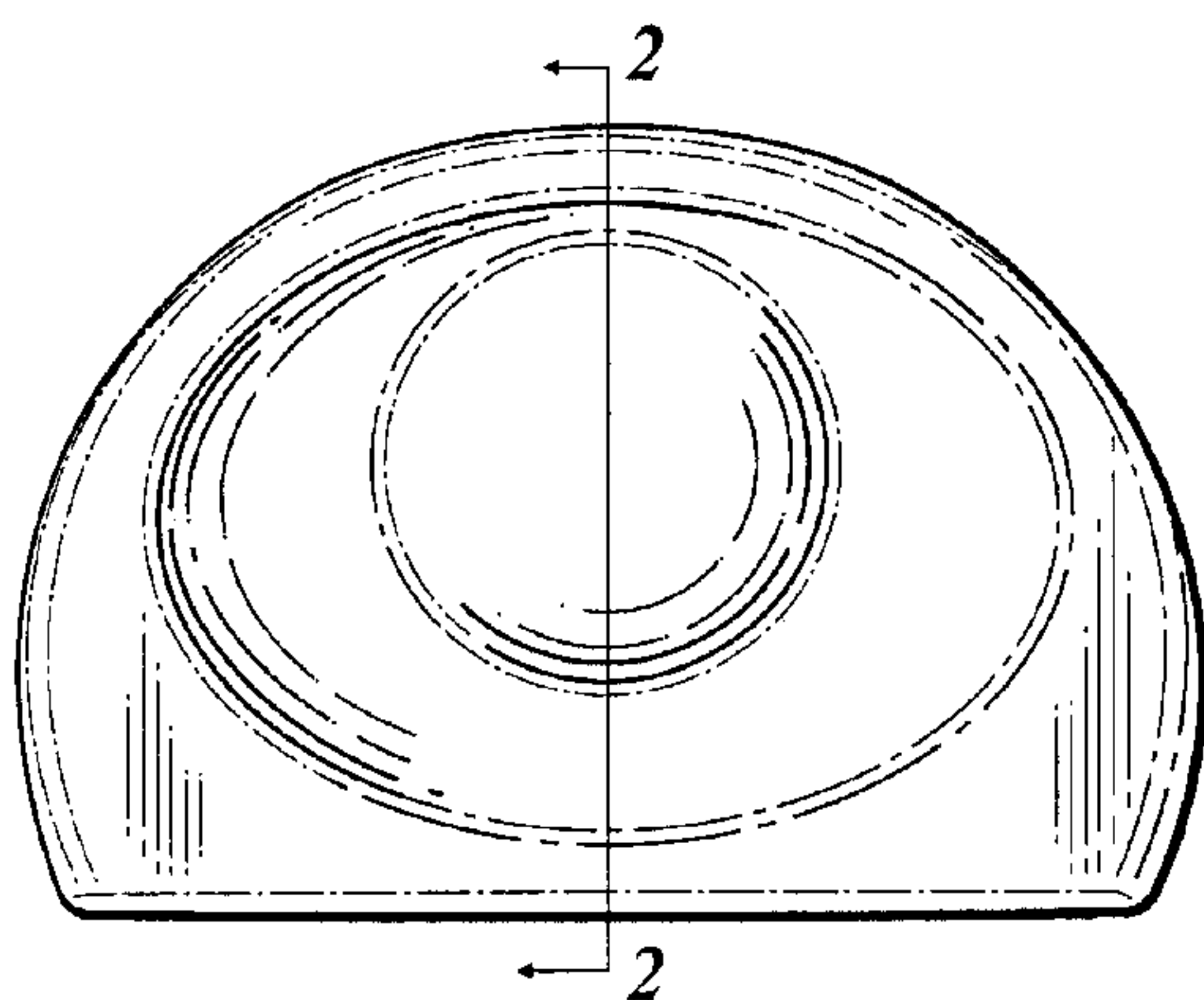
FIG. 4 is a bottom view of the golf putter head shown in FIG. 1;

FIG. 5 is a front elevational view of the golf putter head shown in FIG. 1;

FIG. 6 is a toe end view of the golf putter head shown in FIG. 1; and,

FIG. 7 is a heel end view of the golf putter head shown in FIG. 1.

1 Claim, 2 Drawing Sheets



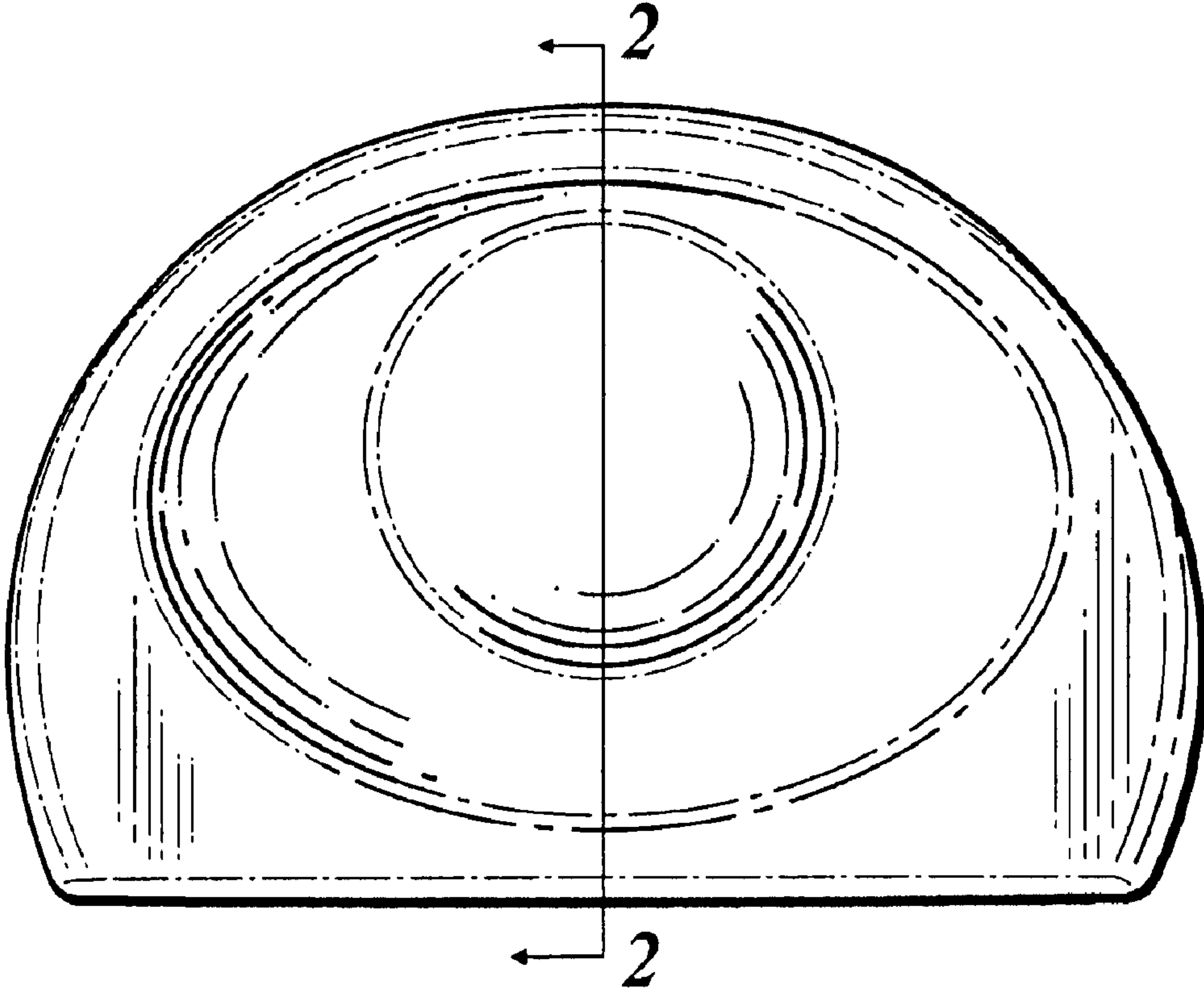


Fig. 1

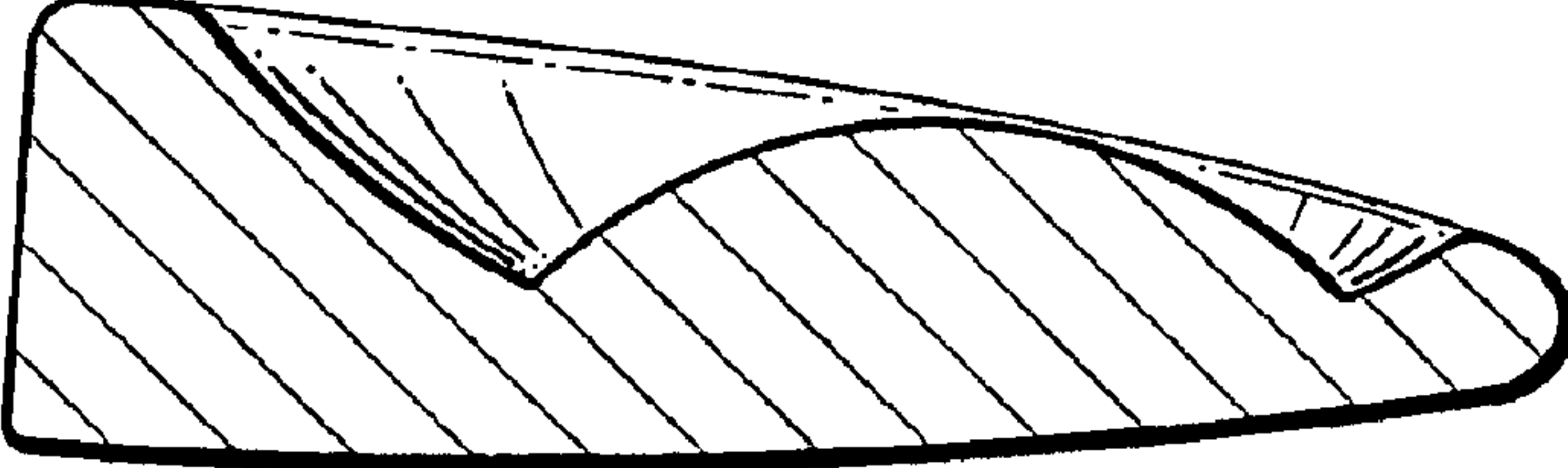


Fig. 2

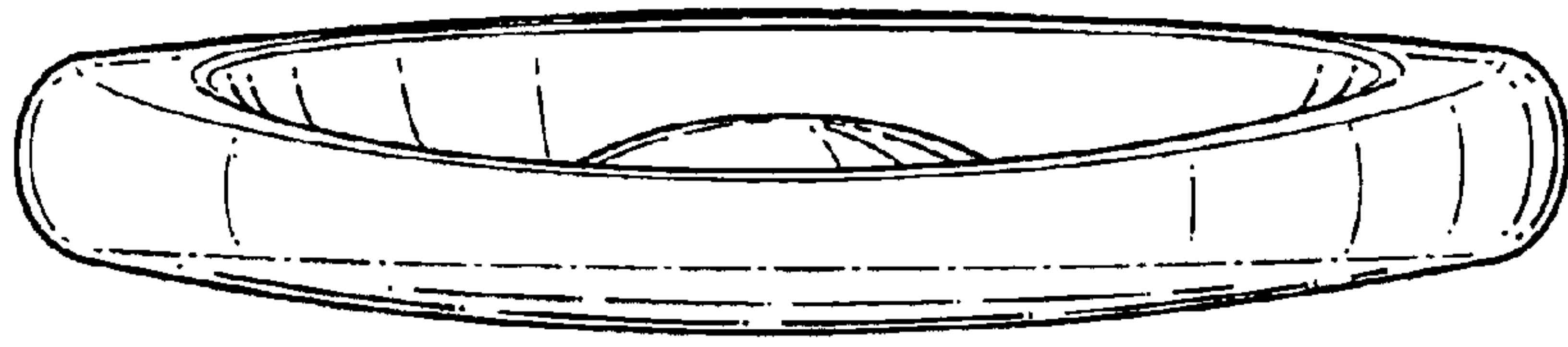


Fig. 3

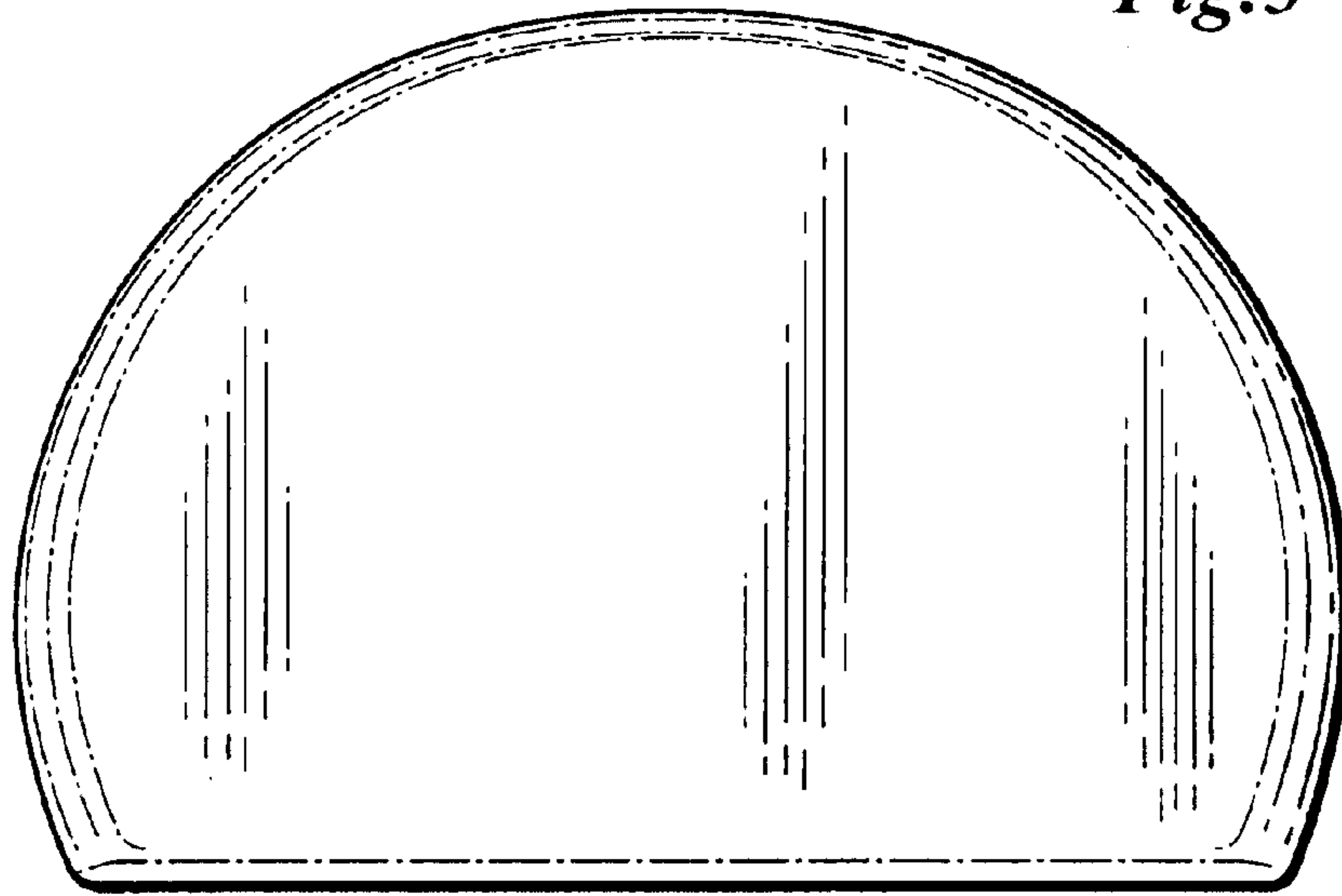


Fig. 4

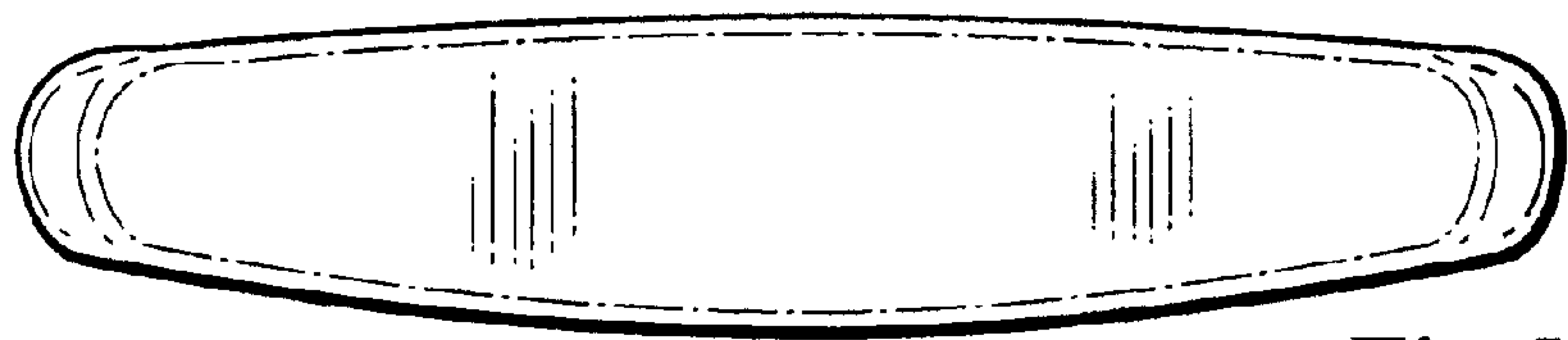


Fig. 5



Fig. 6

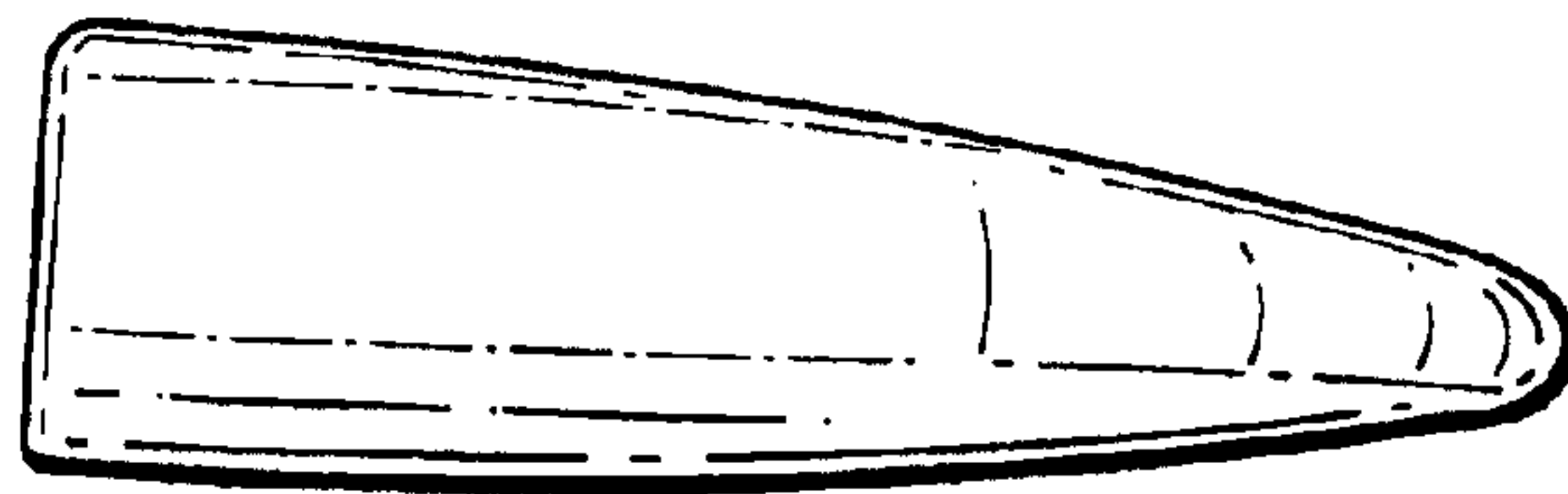


Fig. 7