

US00D506788S

(12) **United States Design Patent**  
**Weisman et al.**

(10) **Patent No.:** **US D506,788 S**  
(45) **Date of Patent:** **\*\* Jun. 28, 2005**

(54) **VIEWER PORTION OF GAME PIECE**

(75) Inventors: **Jordan K. Weisman**, Redmond, WA (US); **Ethan S. U. Pasternack**, Seattle, WA (US); **John J. Grubb**, Renton, WA (US)

(73) Assignee: **Wizkids LLC**, Bellevue, WA (US)

(\*\*) Term: **14 Years**

(21) Appl. No.: **29/190,768**

(22) Filed: **Sep. 25, 2003**

(51) **LOC (8) Cl.** ..... **21-01**

(52) **U.S. Cl.** ..... **D21/386**

(58) **Field of Search** ..... D7/511; D10/62, D10/64; D16/134-135; D19/40, 64; D14/480; D21/385-386, 390; 33/562-563, 565; 273/236, 255, 288-289; 434/87, 343-345, 364

(56) **References Cited**

**U.S. PATENT DOCUMENTS**

D133,842 S	*	9/1942	Alt	.....	D10/64
D136,683 S	*	11/1943	Riley	.....	D19/64
D142,946 S	*	11/1945	Burleigh	.....	D10/62
2,612,708 A	*	10/1952	Amsel	.....	434/344
2,702,944 A	*	3/1955	Lane et al.	.....	33/563
3,103,750 A	*	9/1963	Werner	.....	D19/64
3,599,350 A	*	8/1971	Moskowitz	.....	D19/64
3,699,660 A	*	10/1972	Siegel	.....	33/565
3,891,217 A	*	6/1975	Geary et al.	.....	273/236
D245,253 S	*	8/1977	Moskowitz	.....	D16/135
4,505,044 A	*	3/1985	Shafii-Rad-G.	.....	33/562
D279,797 S	*	7/1985	Brunetto	.....	D10/64
D282,671 S	*	2/1986	Papsdorf	.....	D10/64

D307,758 S	*	5/1990	Tsuji	.....	D16/135
5,031,918 A	*	7/1991	Brill	.....	273/288
5,211,403 A	*	5/1993	Ostrander	.....	273/288
5,676,376 A	*	10/1997	Valley	.....	273/288
D411,215 S	*	6/1999	Byram	.....	D16/135
D434,440 S	*	11/2000	Lawton et al.	.....	D19/40
2002/0180150 A1		12/2002	Weisman		
2003/0071414 A1		4/2003	Weisman		

\* cited by examiner

*Primary Examiner*—Sandra L. Morris

(74) *Attorney, Agent, or Firm*—George C. Rondeau, Jr.; Davis Wright Tremaine LLP

(57) **CLAIM**

The ornamental design for a viewer portion of game piece, as shown and described.

**DESCRIPTION**

FIG. 1 is a first top perspective view of a viewer portion of a game piece showing our new design.

FIG. 2 is a second top perspective view thereof.

FIG. 3 is a top plan view thereof.

FIG. 4 is a bottom plan view thereof.

FIG. 5 is a left side elevational view thereof, the right side elevational view being a mirror image thereto.

FIG. 6 is a front side elevational view thereof, the rear side elevational view being a mirror image thereto.

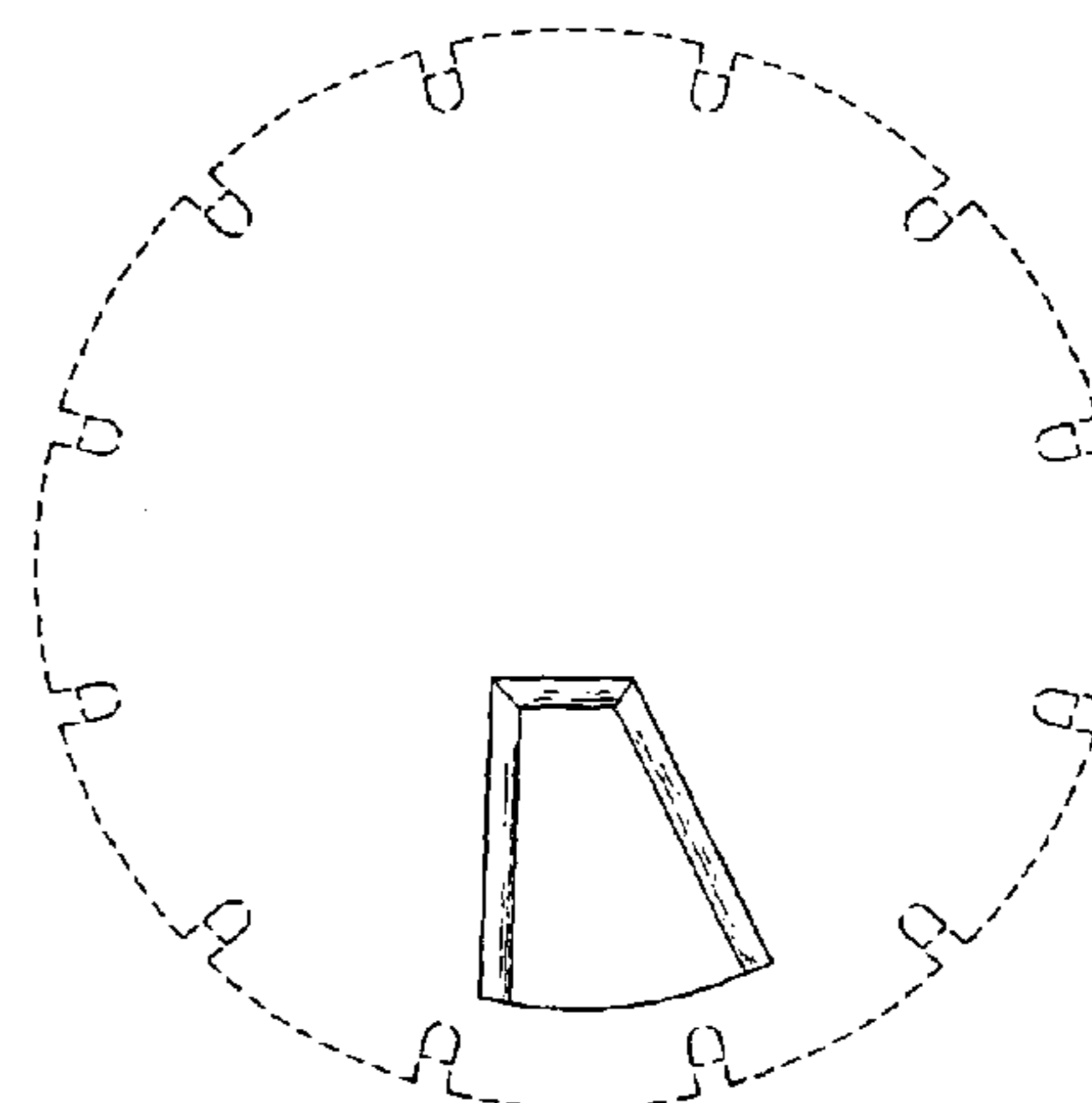
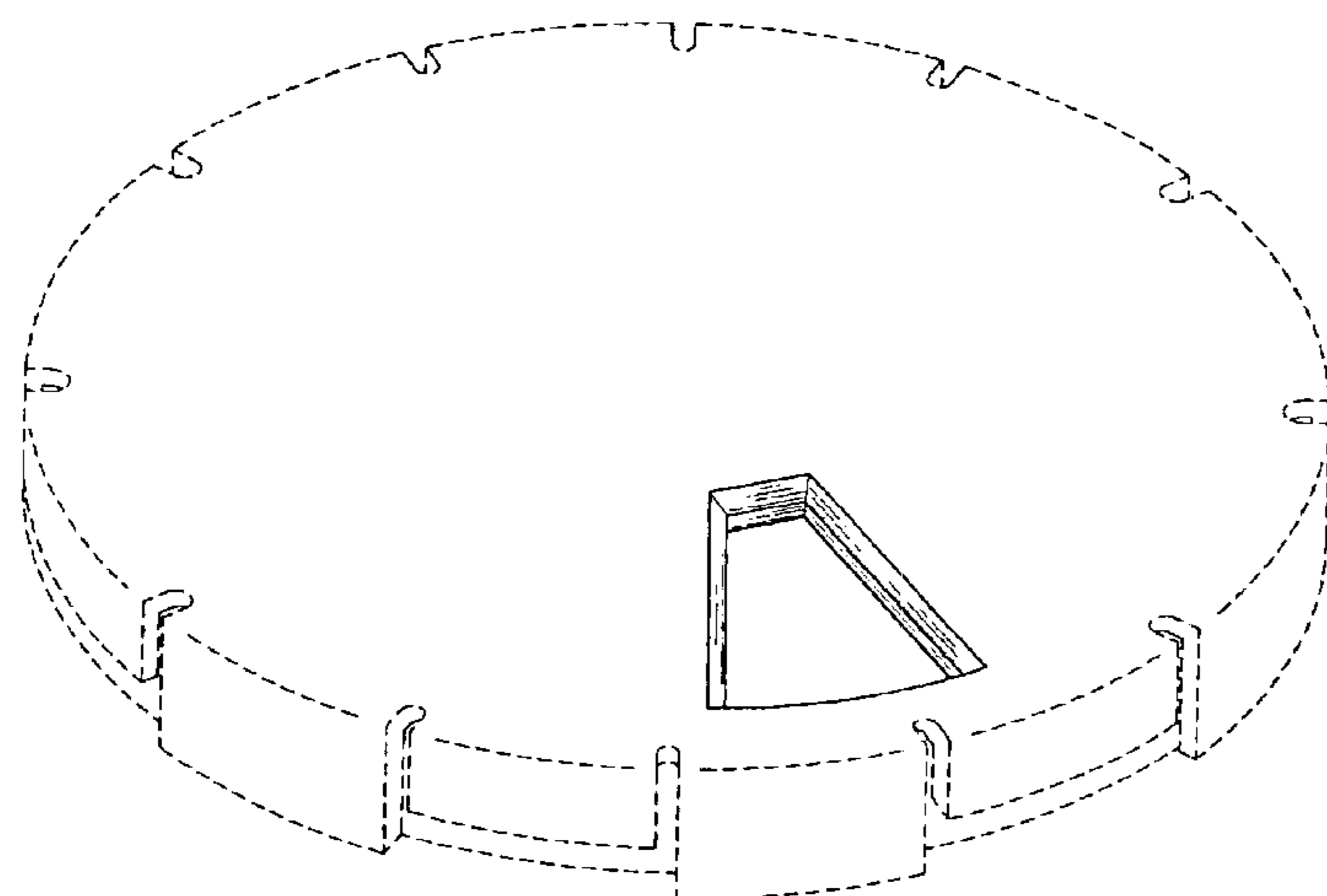
FIG. 7 is a first top perspective view of a second embodiment thereof.

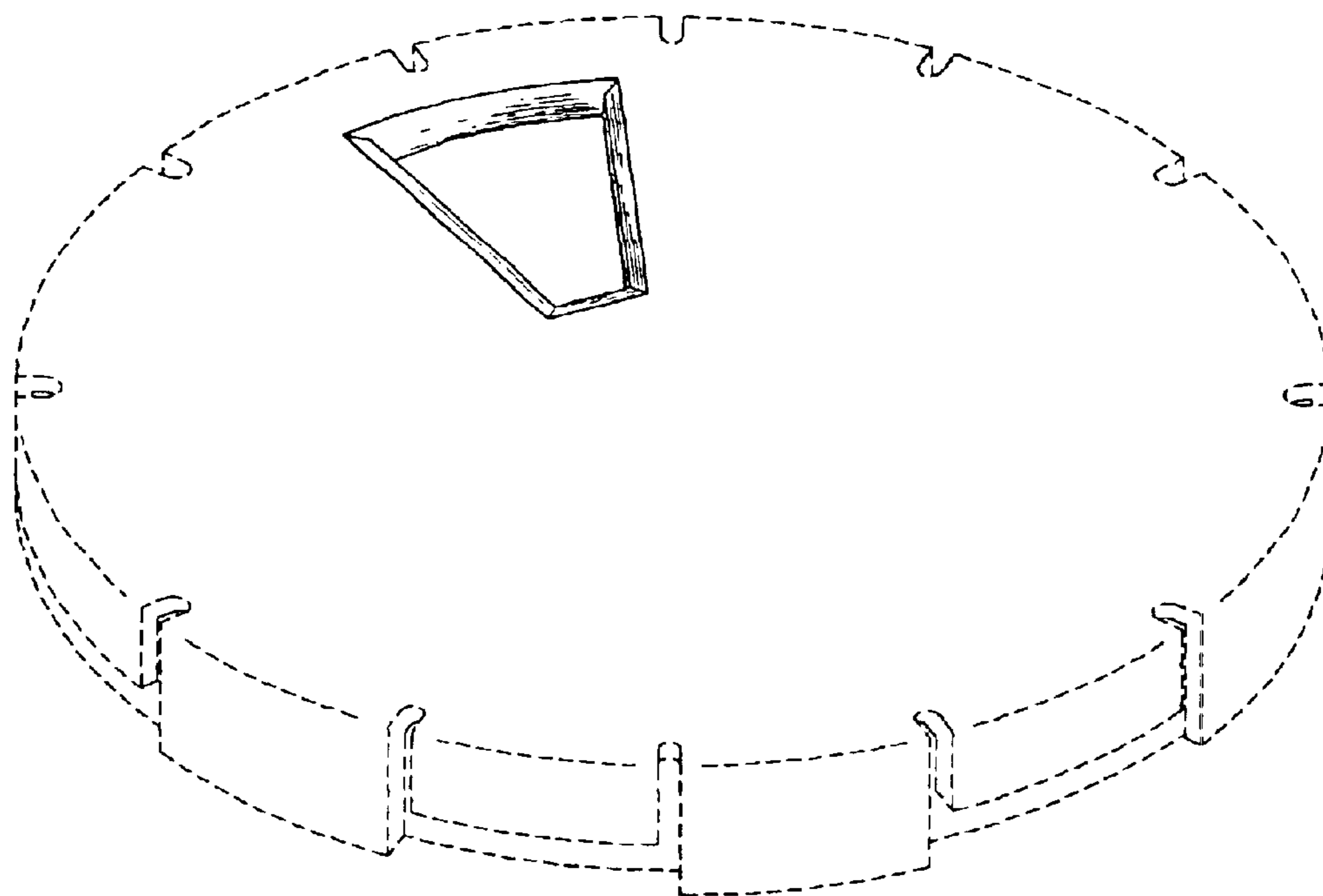
FIG. 8 is second top perspective view thereof; and,

FIG. 9 is a top plan view thereof.

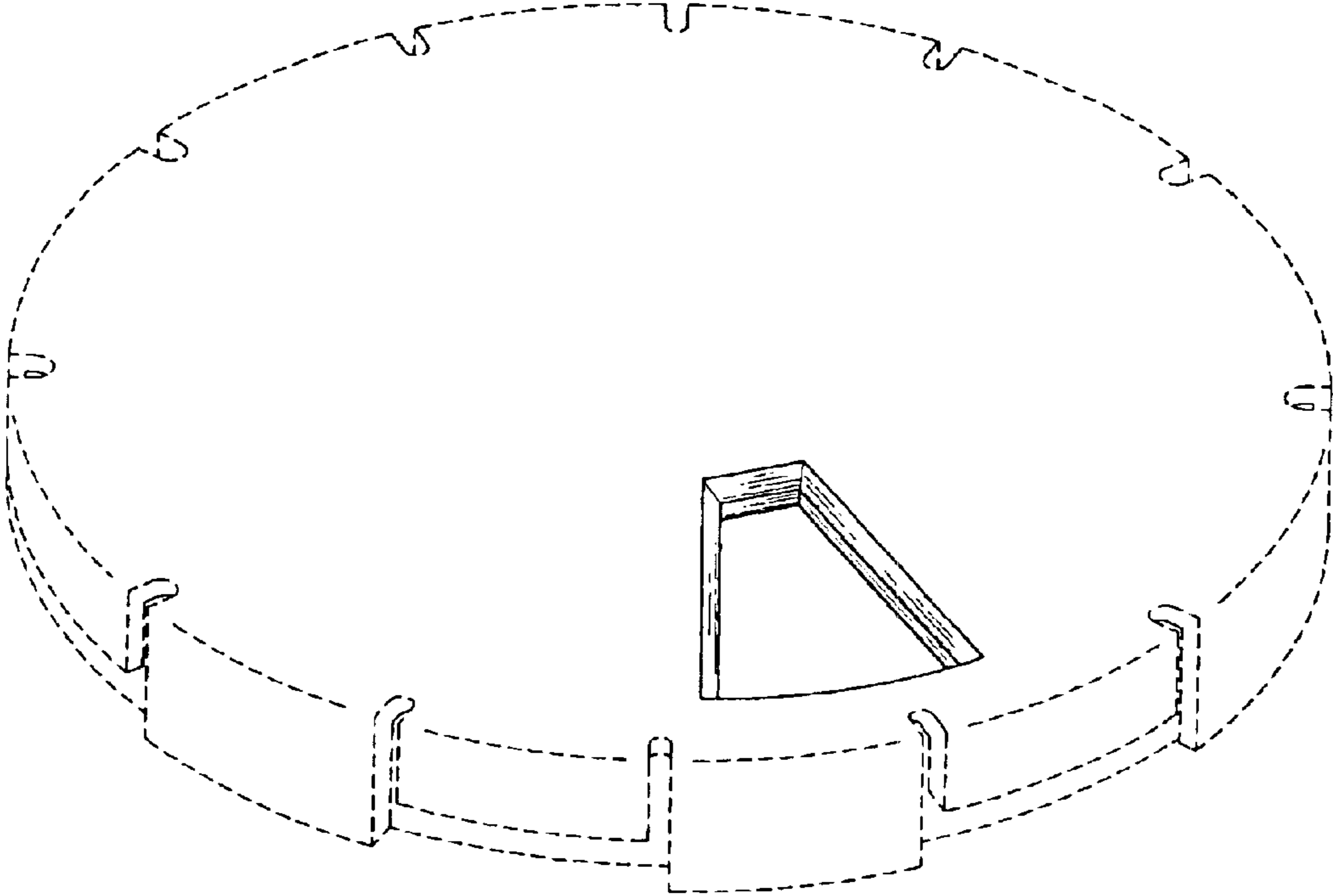
The broken lines are for illustrative purposes only and form no part of the claimed design.

**1 Claim, 7 Drawing Sheets**

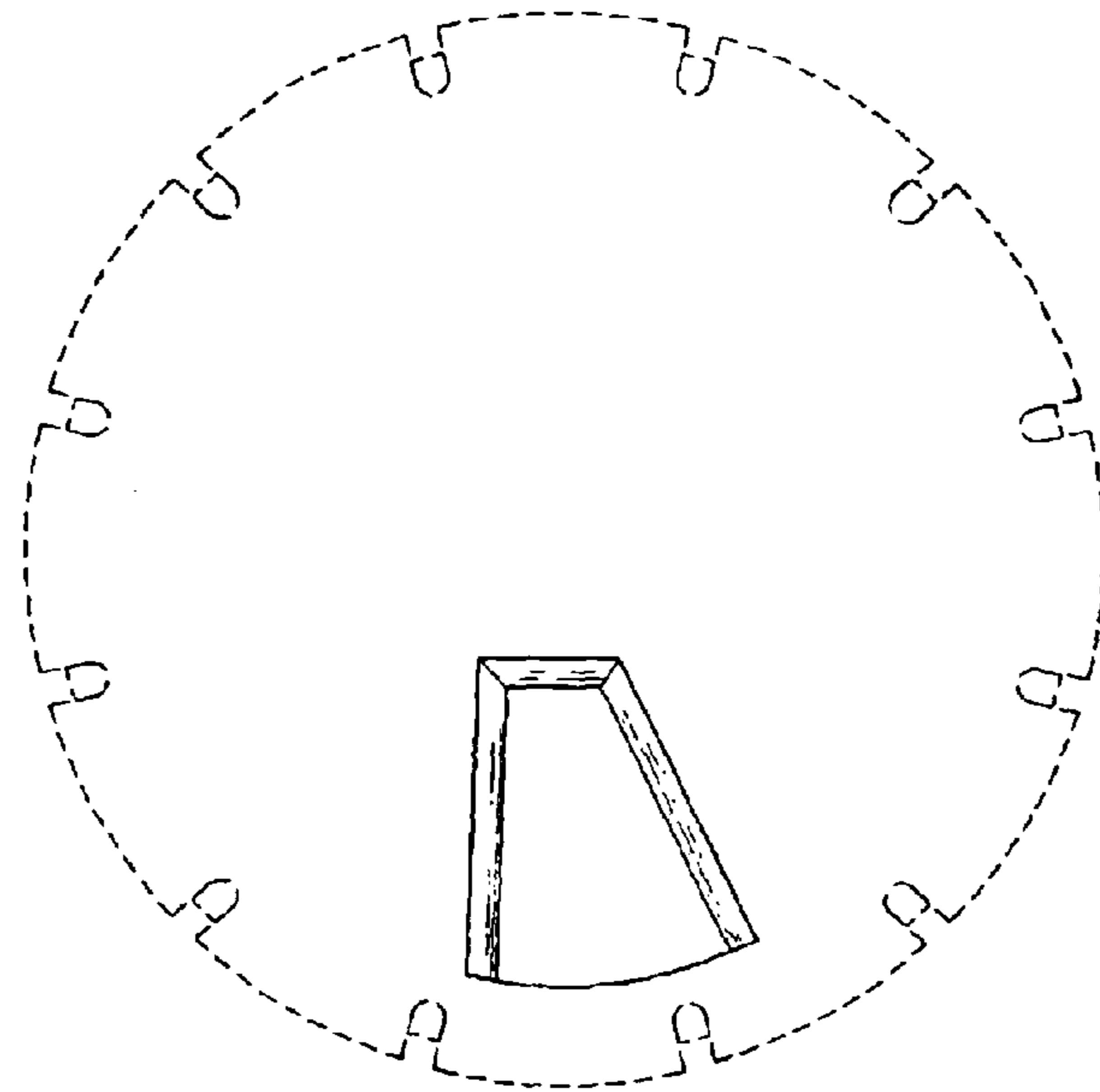




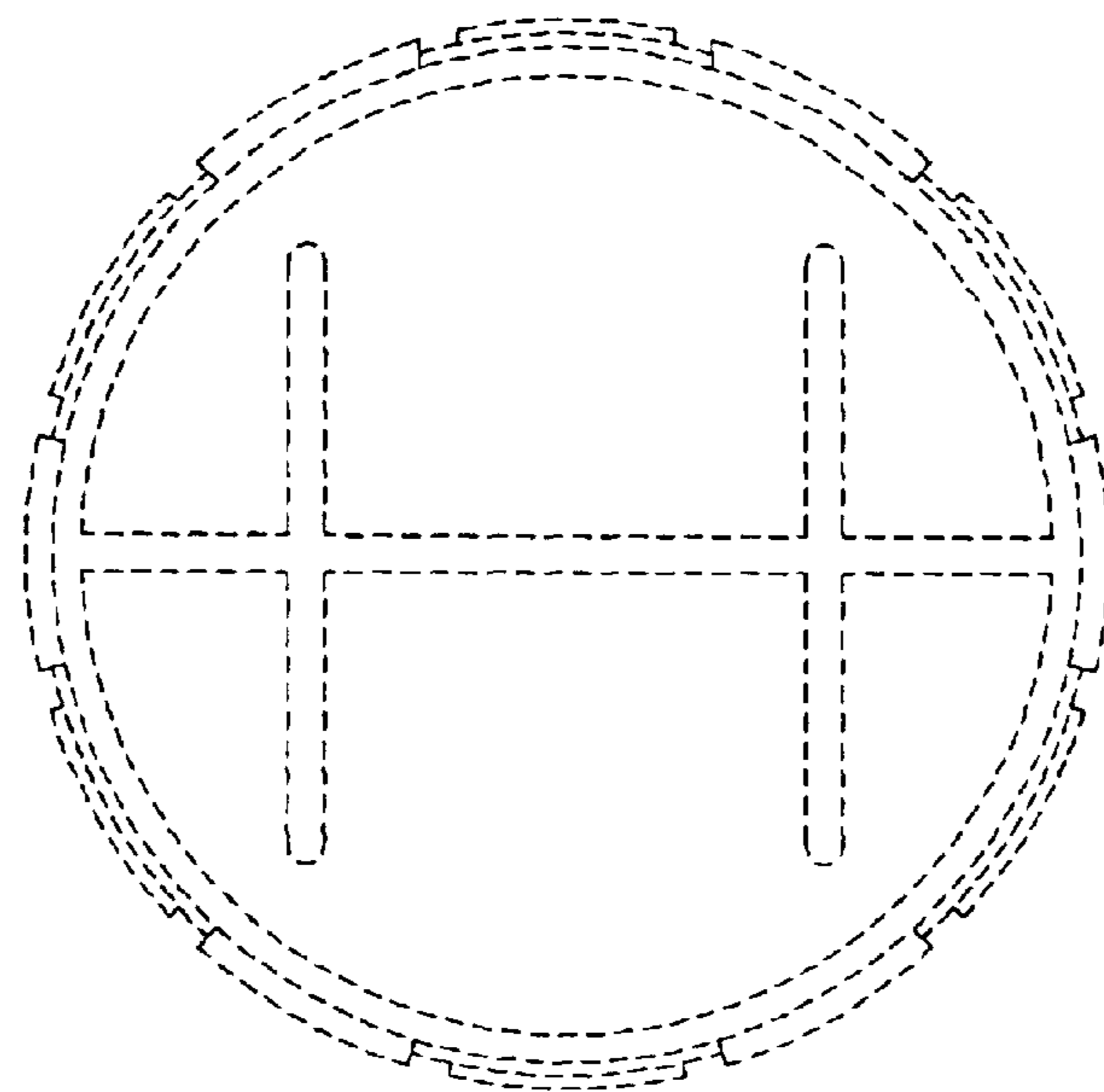
*Fig. 1*



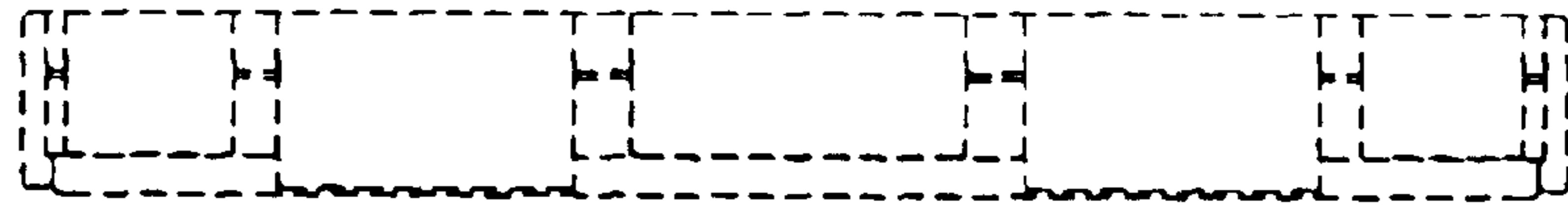
*Fig. 2*



*Fig. 3*



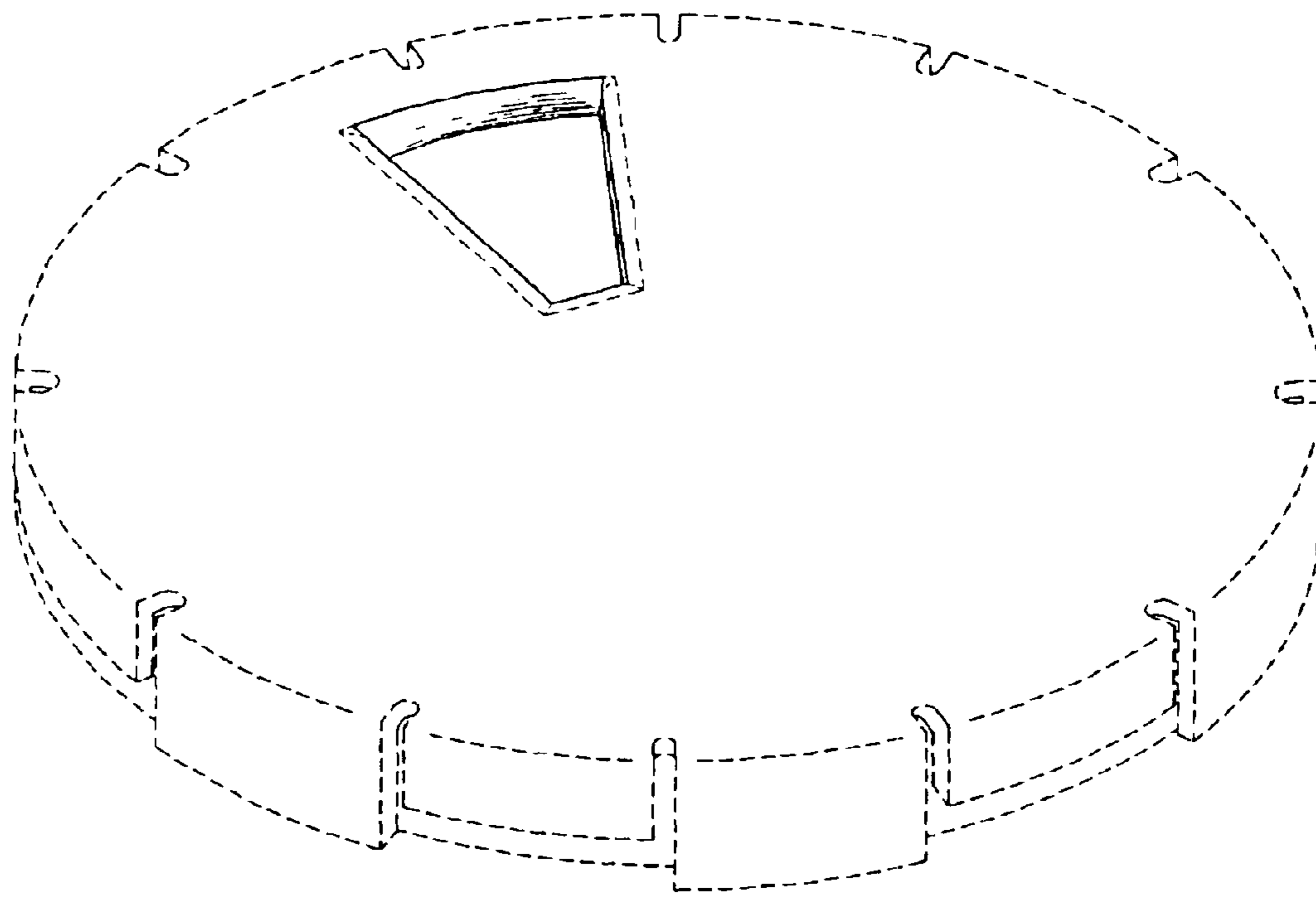
*Fig. 4*



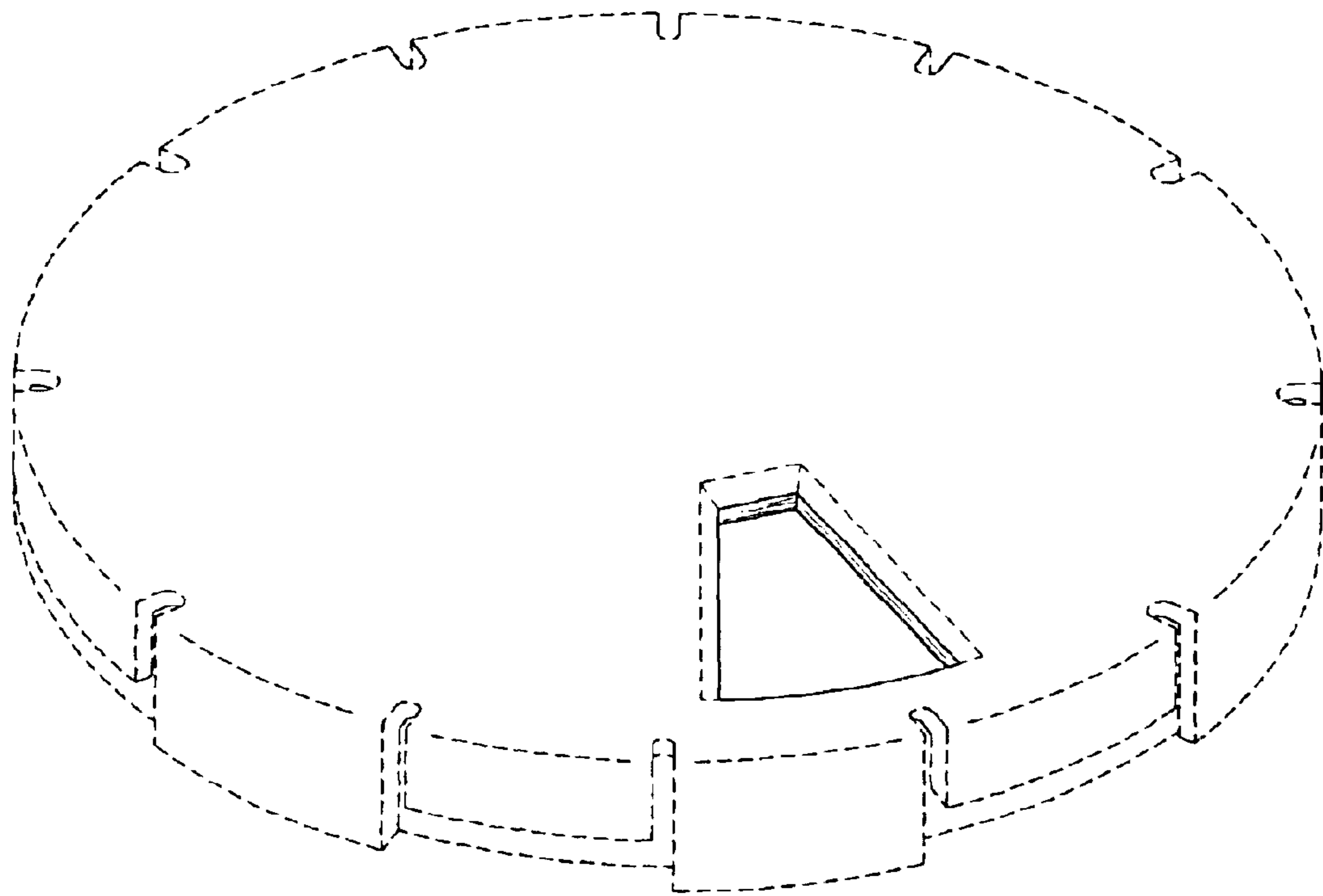
*Fig. 5*



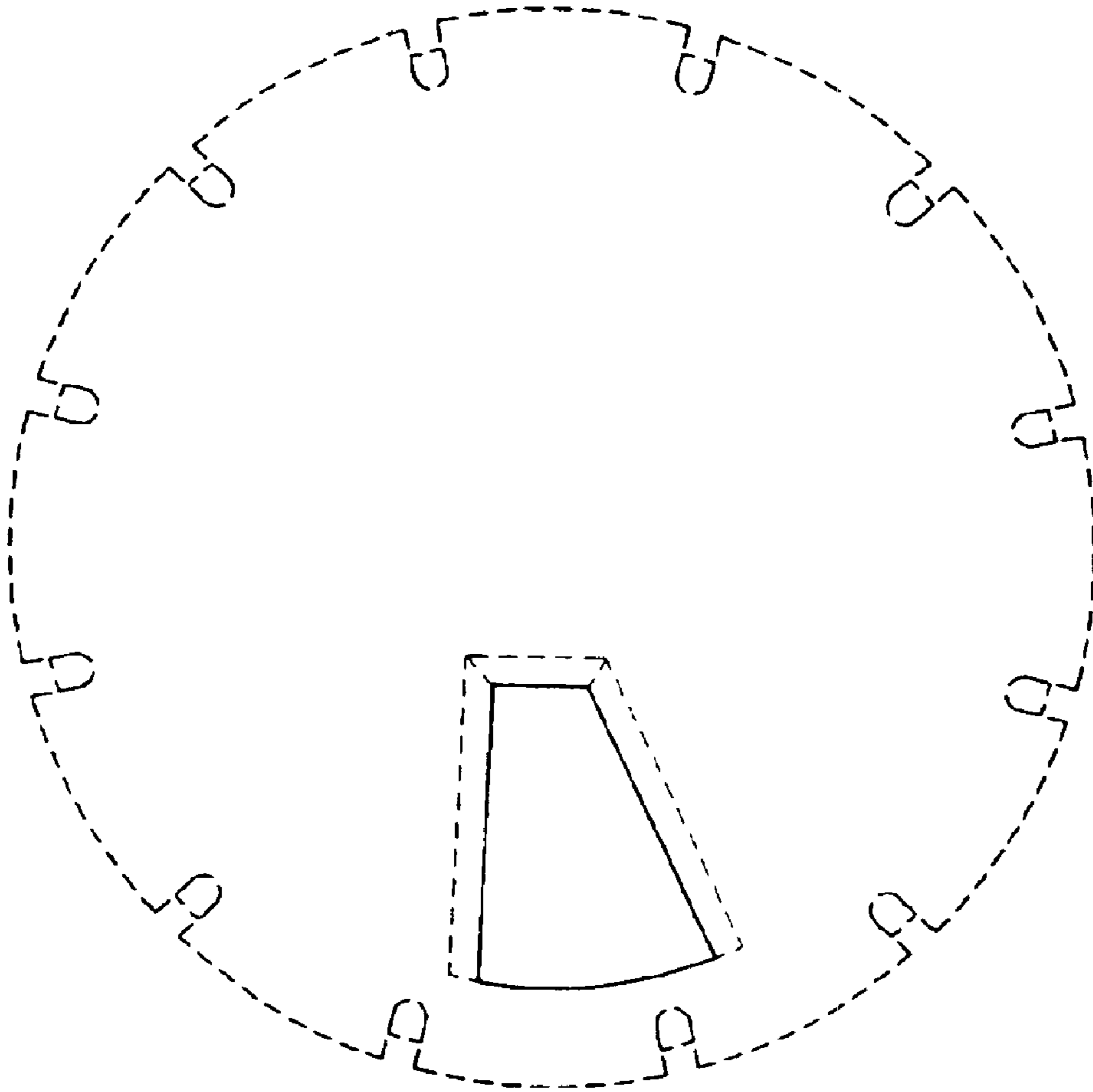
*Fig. 6*



*Fig. 7*



*Fig. 8*



*Fig. 9*