

US00D506787S

(12) **United States Design Patent**
Russell

(10) **Patent No.:** **US D506,787 S**
(45) **Date of Patent:** **** Jun. 28, 2005**

(54) **IMAGE MARKER**

(76) **Inventor:** **Donald G. Russell**, 86 Windsor Rd.,
Kensington, CT (US) 06037

(**) **Term:** **14 Years**

(21) **Appl. No.:** **29/194,634**

(22) **Filed:** **Nov. 26, 2003**

(51) **LOC (8) Cl.** **19-08**

(52) **U.S. Cl.** **D20/22**

(58) **Field of Search** D20/10, 22, 23,
D20/27, 28, 42, 99; 40/219, 630; 116/200,
234, 291, 298; 356/247; 378/162, 165,
205; 428/38, 42.3; 600/414, 437

(56) **References Cited**

U.S. PATENT DOCUMENTS

D92,405 S	*	6/1934	Klebanow	D20/28
3,583,358 A		6/1971	Hanson, Jr.	116/119
3,924,879 A		12/1975	Wright	282/28
4,180,284 A	*	12/1979	Ashley	283/70
4,274,006 A		6/1981	Caine	250/476
4,345,540 A	*	8/1982	Karmin	116/278
4,680,210 A		7/1987	Corcoran	428/42
4,693,554 A	*	9/1987	Cordes	359/710
4,698,836 A		10/1987	Minasian	378/162
4,764,948 A		8/1988	Hurwitz	378/165
4,833,774 A	*	5/1989	Jacob-Grinschl et al.	...	29/605
4,951,595 A		8/1990	Bedford, Jr.	116/200
4,953,193 A		8/1990	Robinson	378/162
D312,657 S	*	12/1990	Saffran	D19/34
5,101,756 A		4/1992	Strumbos	116/234
5,167,074 A	*	12/1992	Weiss	33/200
D335,686 S	*	5/1993	Christian	D19/65
5,287,397 A		2/1994	Dumsha	378/162
5,323,443 A		6/1994	Lary	378/165
5,368,030 A		11/1994	Zinreich et al.	128/653.1
5,469,847 A		11/1995	Zinreich et al.	128/653.1
5,609,827 A	*	3/1997	Russell et al.	422/102
5,732,122 A		3/1998	Tibbals	378/162
5,848,125 A		12/1998	Arnett	378/162
6,198,807 B1		3/2001	DeSena	378/165
6,231,508 B1		5/2001	Miller et al.	600/437

6,354,737 B1		3/2002	Hufe et al.	378/205
6,356,621 B1		3/2002	Furumori et al.	378/162
6,662,694 B2	*	12/2003	Rankin, Sr.	83/13
6,705,037 B2	*	3/2004	Van Kirk	42/126
6,729,062 B2	*	5/2004	Thomas et al.	42/122
2002/0082948 A1		6/2002	Panelli	705/27

FOREIGN PATENT DOCUMENTS

EP		0 545 959 B1		11/1994	G03B/42/04
EP		0 648 610 B1		6/1998	B41M/3/12
EP		0 984 864 B1		7/2002	B42D/15/10
JP		10165391 A		6/1998	A61B/5/055

* cited by examiner

Primary Examiner—Robert M. Spear
(74) *Attorney, Agent, or Firm*—McCarter & English, LLP

(57) **CLAIM**

The ornamental design for an image marker, as shown and described.

DESCRIPTION

This patent application discloses subject matter that is similar to the subject matter disclosed in the co-pending U.S. patent application Ser. No. **10/722,920** of Donald G. Russell, entitled “Markers, Methods of Marking, and Marking Systems for Use in Association With Images”, filed on even date herewith, which is hereby expressly incorporated by reference as part of the present disclosure.

FIG. 1 is a front plan view of a first embodiment of a marker showing our new design;

FIG. 2 is a left side plan view of the marker of FIG. 1;

FIG. 3 is a top plan view thereof;

FIG. 4 is a rear plan view thereof;

FIG. 5 is a bottom plan view thereof; and,

FIG. 6 is a right side plan view thereof.

The diagonal lines (or shading lines) are intended to show that the respective portion(s) of the marker are transparent or substantially transparent, whereas the claimed portion(s) of the marker that do not include such lines are opaque or substantially opaque.

1 Claim, 1 Drawing Sheet

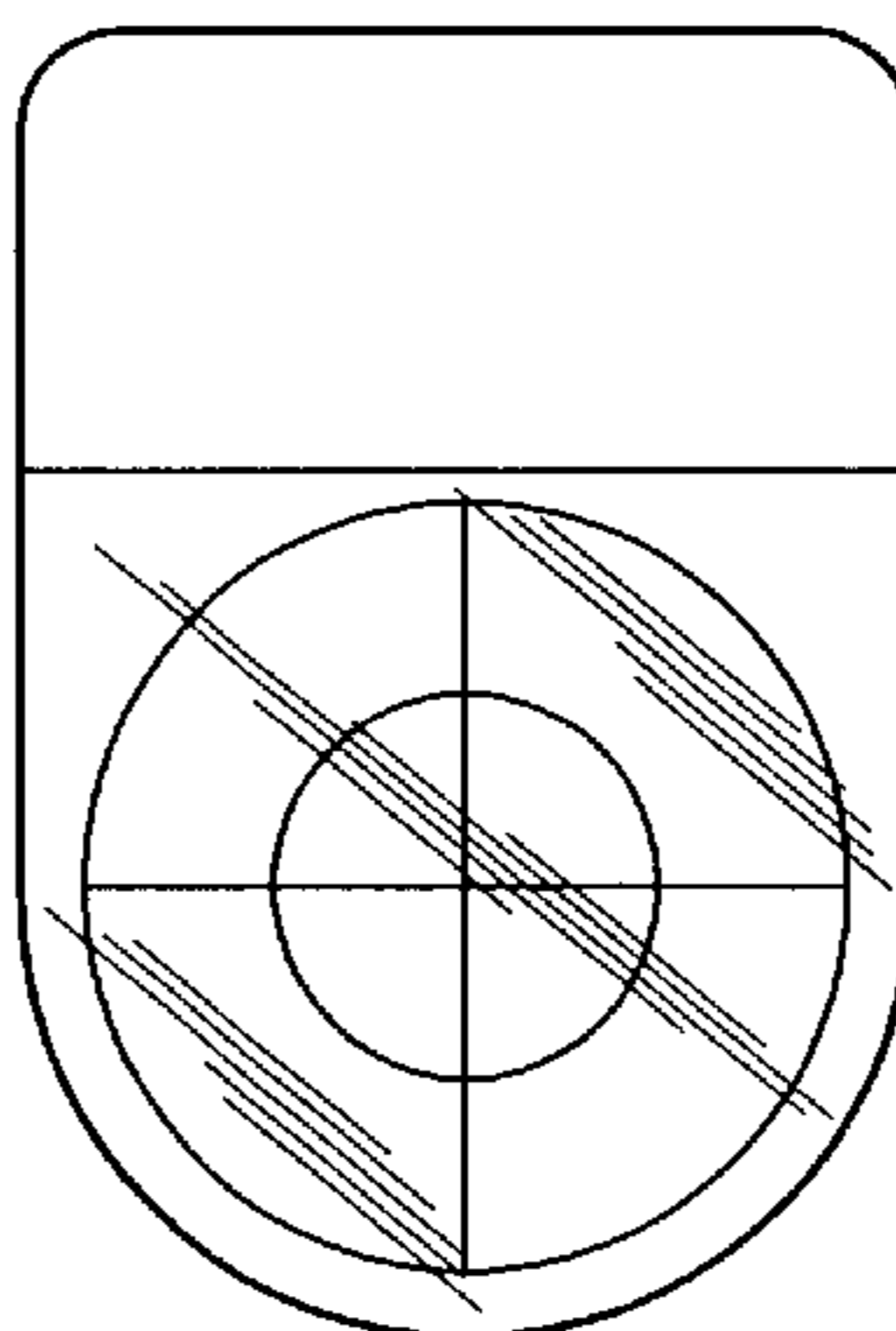


FIG. 3



FIG. 1

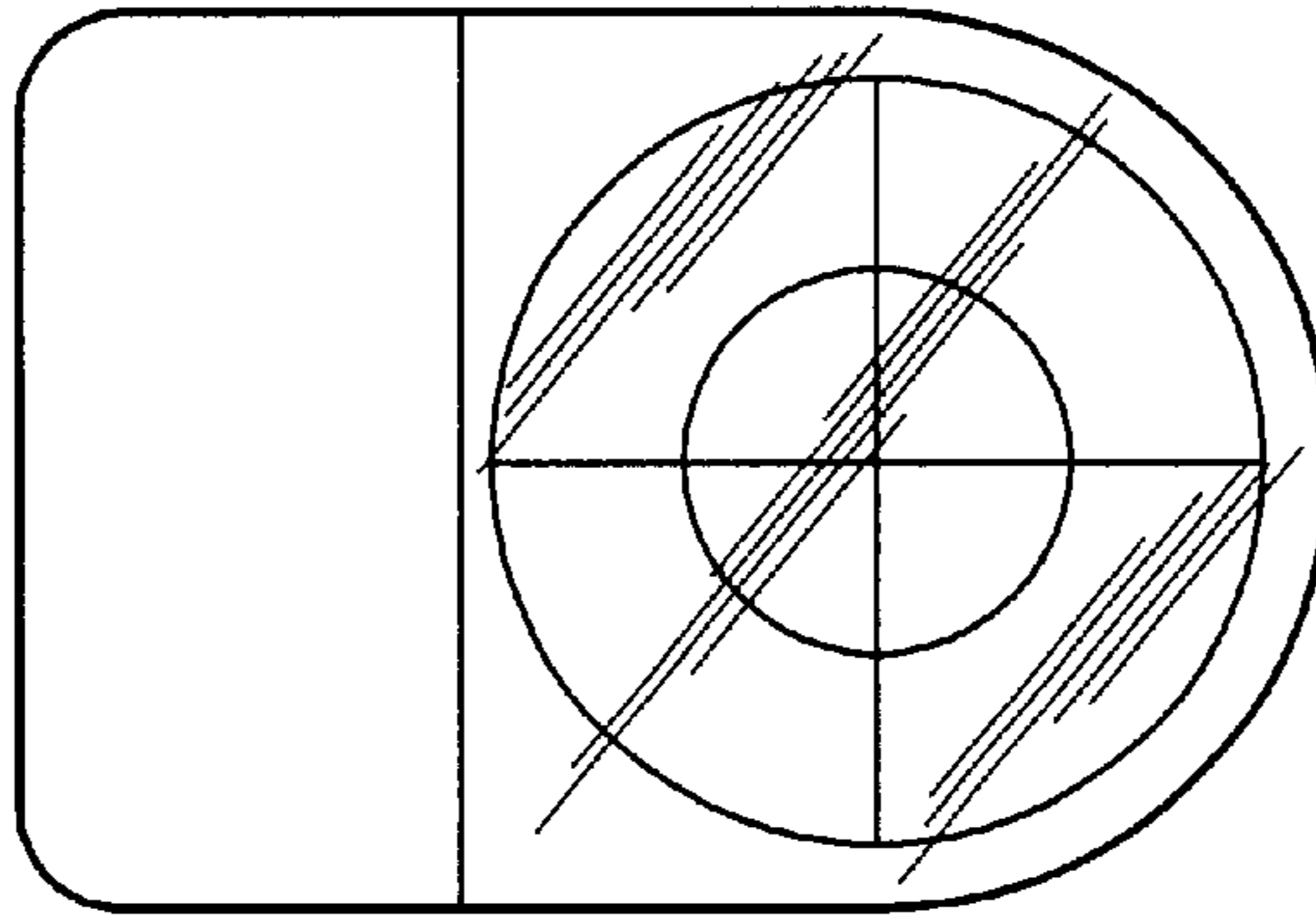


FIG. 2



FIG. 4

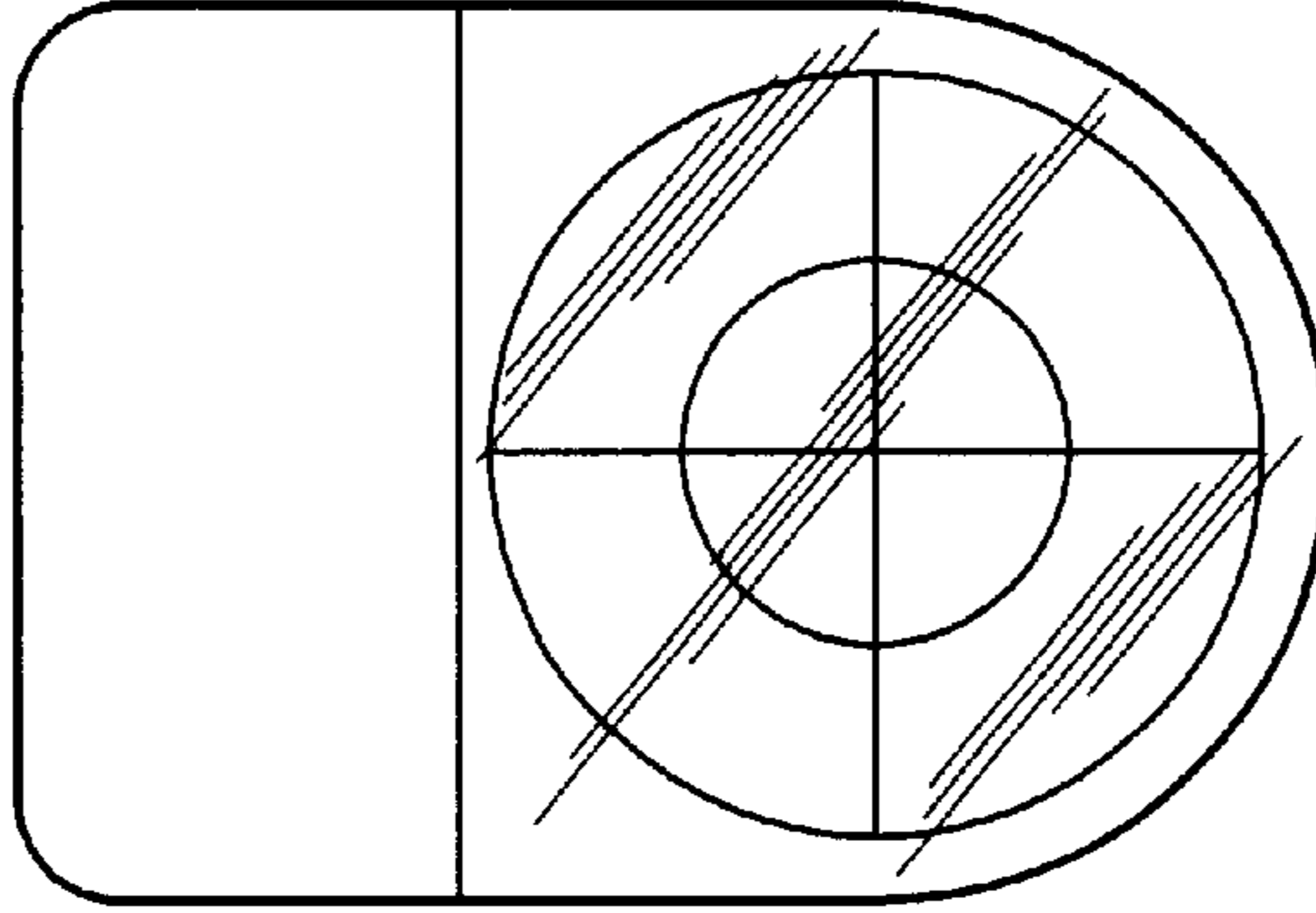


FIG. 6



FIG. 5

