

US00D506784S

(12) **United States Design Patent**
Bodum

(10) **Patent No.:** **US D506,784 S**
(45) **Date of Patent:** **** Jun. 28, 2005**

(54) **HOLE PUNCH**
(75) **Inventor:** **Jørgen Bodum, St. Niklausen (CH)**
(73) **Assignee:** **PI-Design AG, Triengen (CH)**
(**) **Term:** **14 Years**

4,742,744 A * 5/1988 Lindberg 83/167
4,757,733 A * 7/1988 Barlow 83/588
5,247,863 A * 9/1993 Cohen 83/167
D349,301 S * 8/1994 Mori D19/72
D358,845 S * 5/1995 Mori D19/65 X
D408,453 S * 4/1999 Mori D19/72
D467,618 S * 12/2002 Gstalder D19/72

* cited by examiner

(21) **Appl. No.:** **29/180,455**
(22) **Filed:** **Apr. 24, 2003**
(30) **Foreign Application Priority Data**

Nov. 26, 2002 (DK) DA 2002 00939

(51) **LOC (8) Cl.** **19-02**
(52) **U.S. Cl.** **D19/72; D19/95**
(58) **Field of Search** D19/35, 36, 65,
D19/72, 95, 99, 100; D8/49-51, 98, 105;
83/166, 167, 454, 465, 467, 468, 549, 560,
588, 618, 620, 633, 698; 30/358, 363, 289,
294

(56) **References Cited**

U.S. PATENT DOCUMENTS

D183,155 S * 7/1958 Aleks D19/72
3,073,199 A * 1/1963 Yerkes 83/549
D251,600 S * 4/1979 MacGregor D19/72
4,594,927 A * 6/1986 Mori 83/620

Primary Examiner—Martie K. Holtje
(74) *Attorney, Agent, or Firm*—Nath & Associates PLLC;
Gregory B. Kang; Teresa M. Arroyo

(57) **CLAIM**

The ornamental design for a hole punch, as shown and described.

DESCRIPTION

FIG. 1 is a rear perspective view of a hole punch showing my new design;
FIG. 2 is a rear elevational view thereof;
FIG. 3 is a front elevational view thereof;
FIG. 4 is a top plan view thereof;
FIG. 5 is a bottom plan view thereof;
FIG. 6 is a right side elevational view thereof;
FIG. 7 is a left side elevational view thereof; and,
FIG. 8 is a cross-sectional view of FIG. 7.

1 Claim, 8 Drawing Sheets

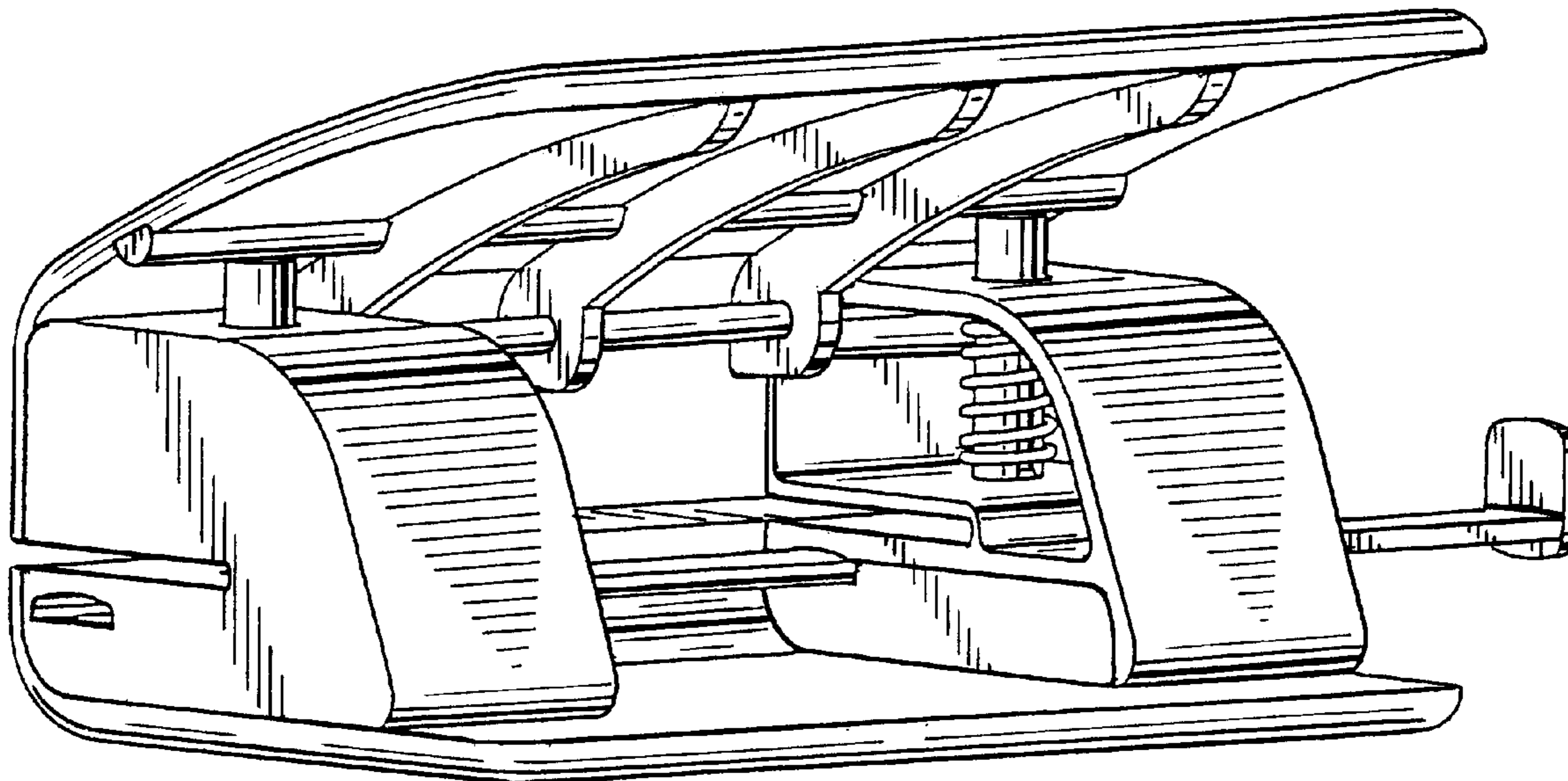


FIG. 1

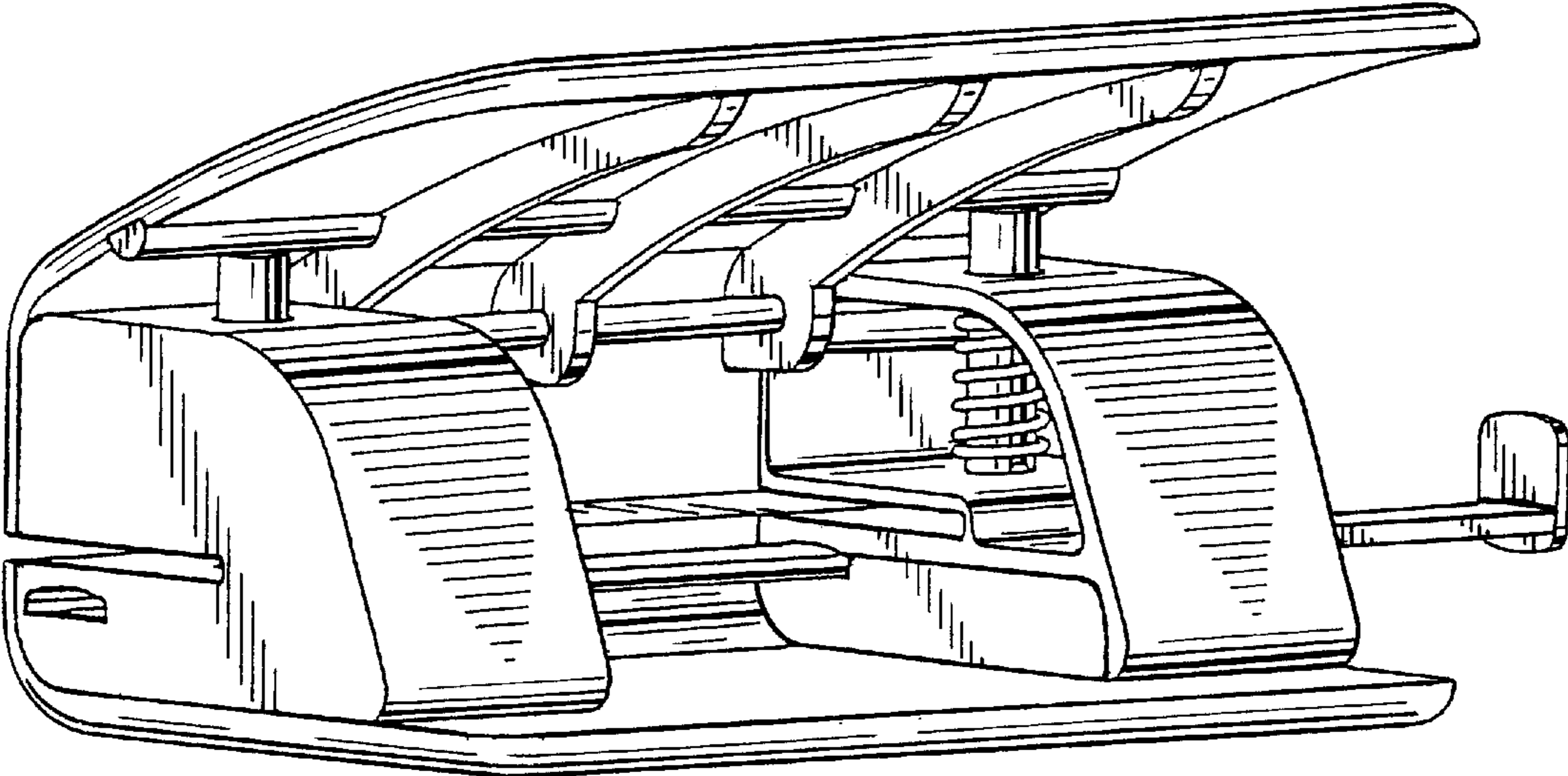


FIG. 2

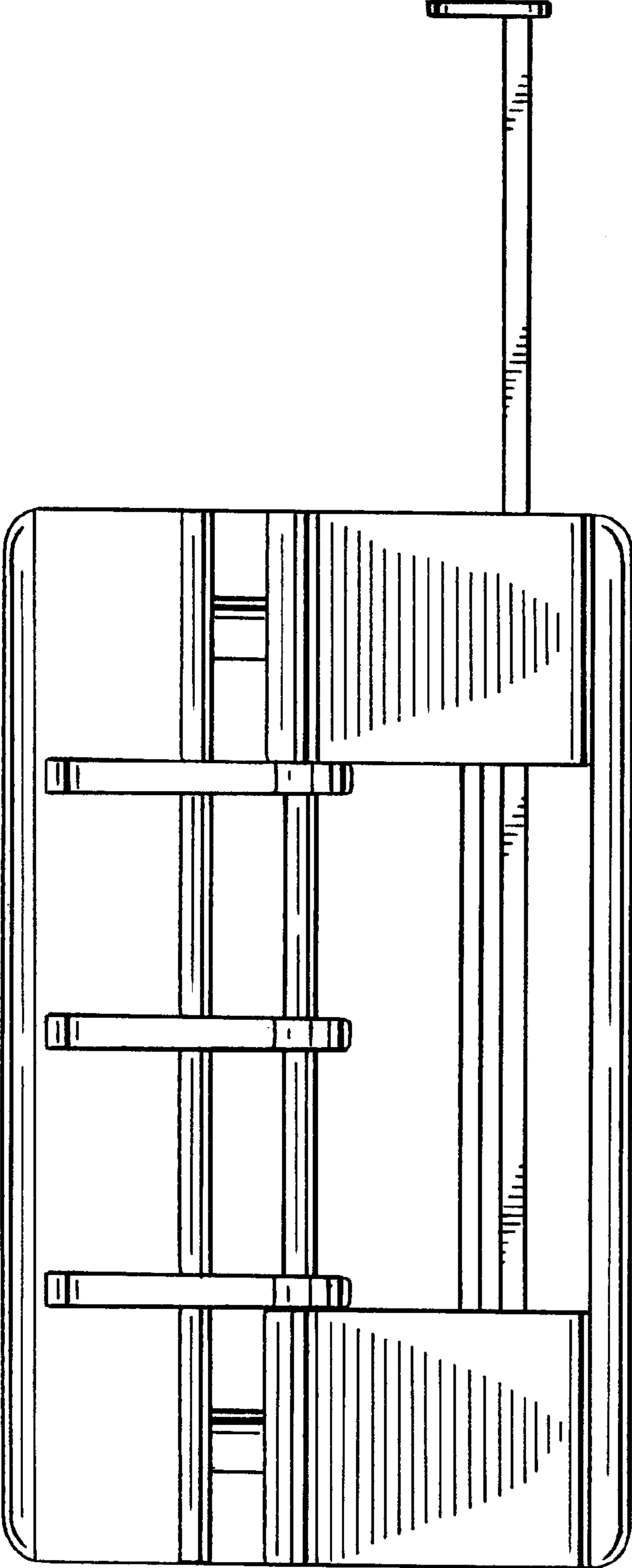


FIG. 3

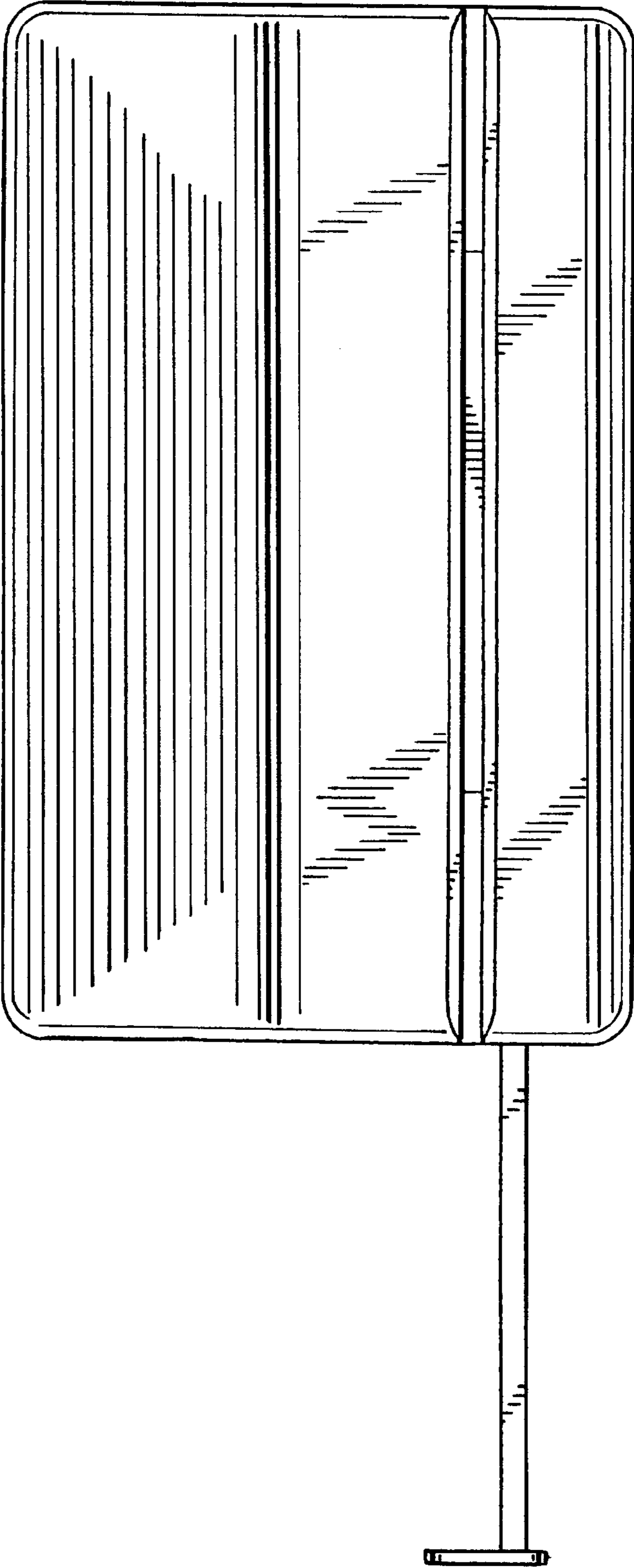


FIG. 4

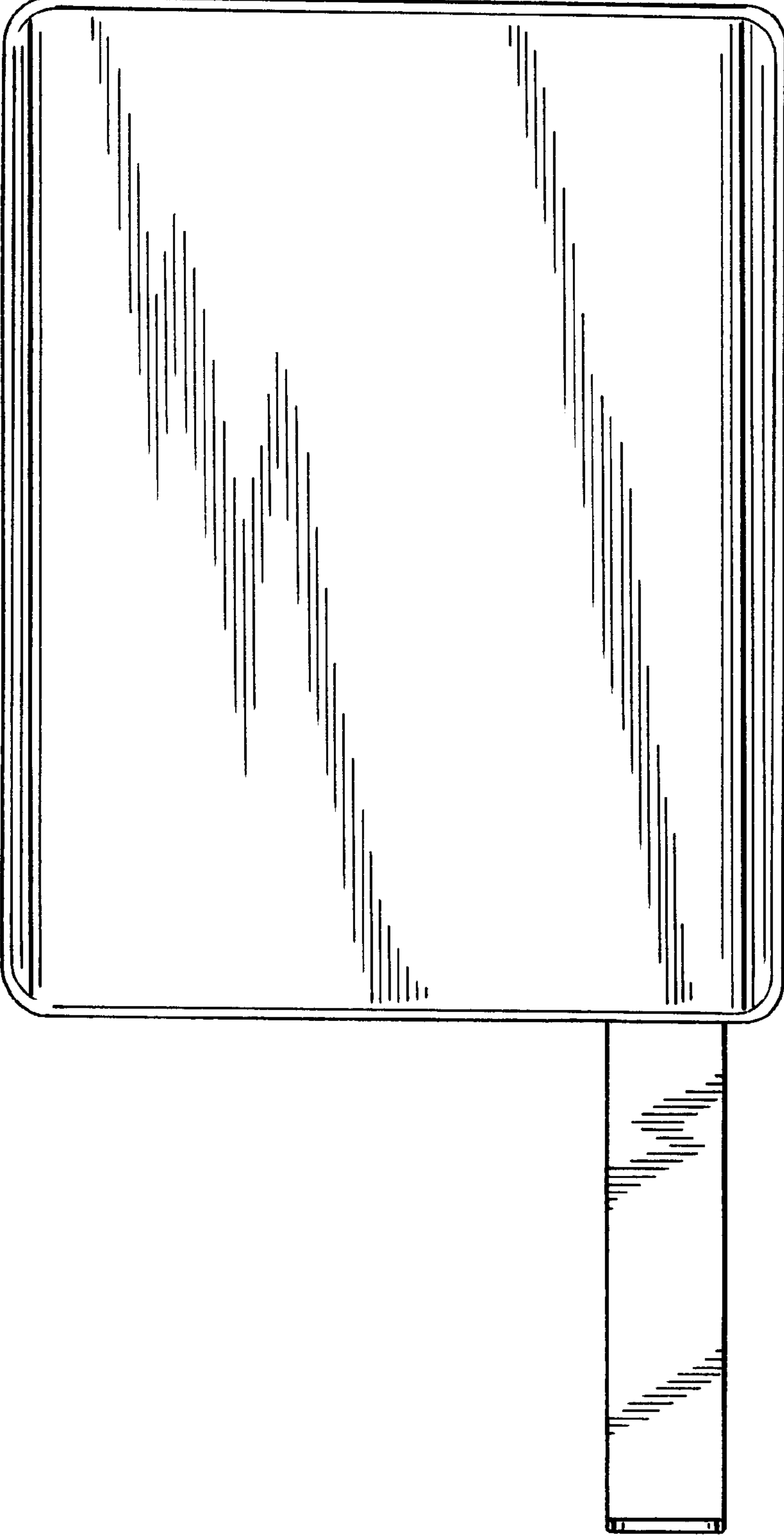


FIG. 5

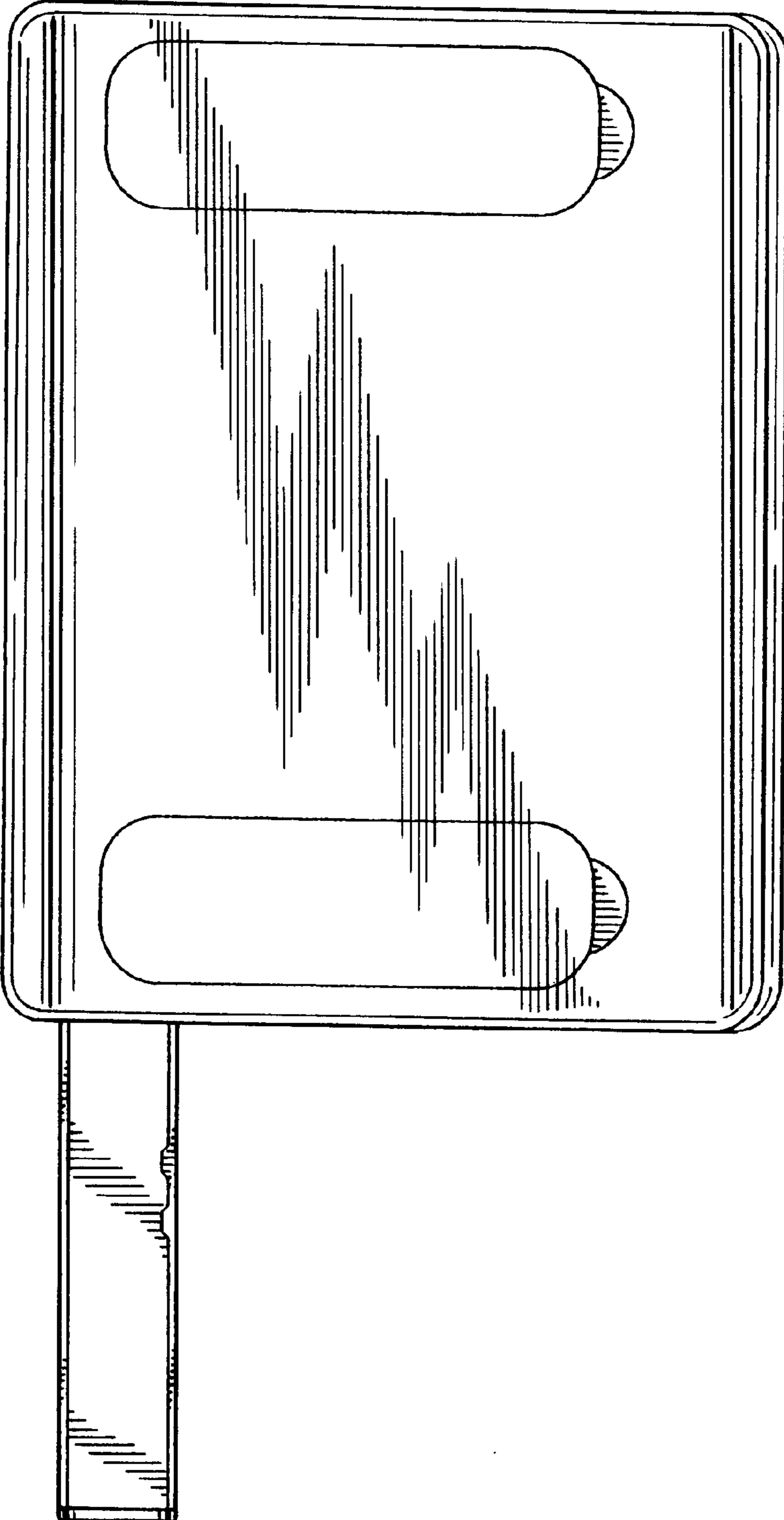


FIG. 6

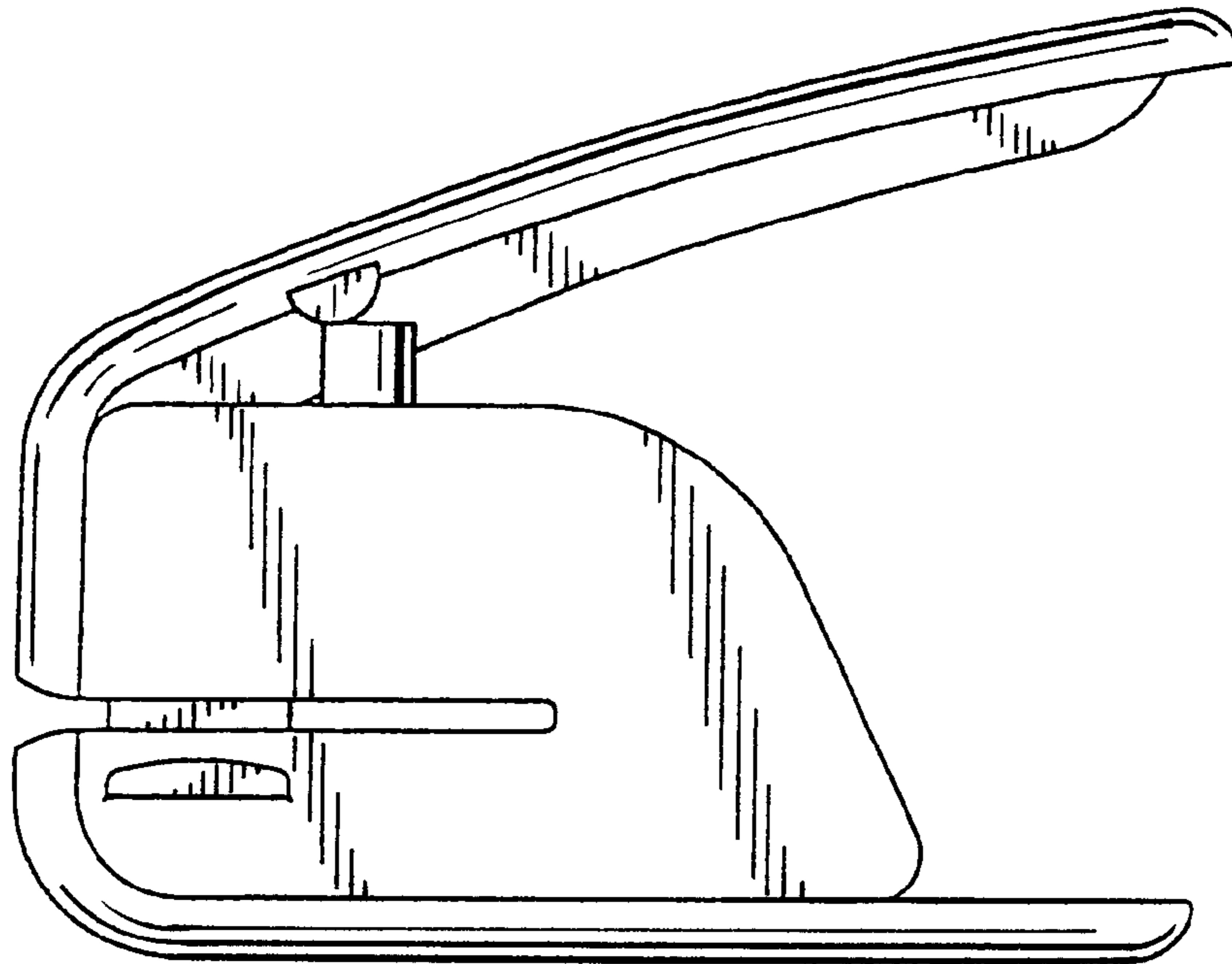


FIG. 7

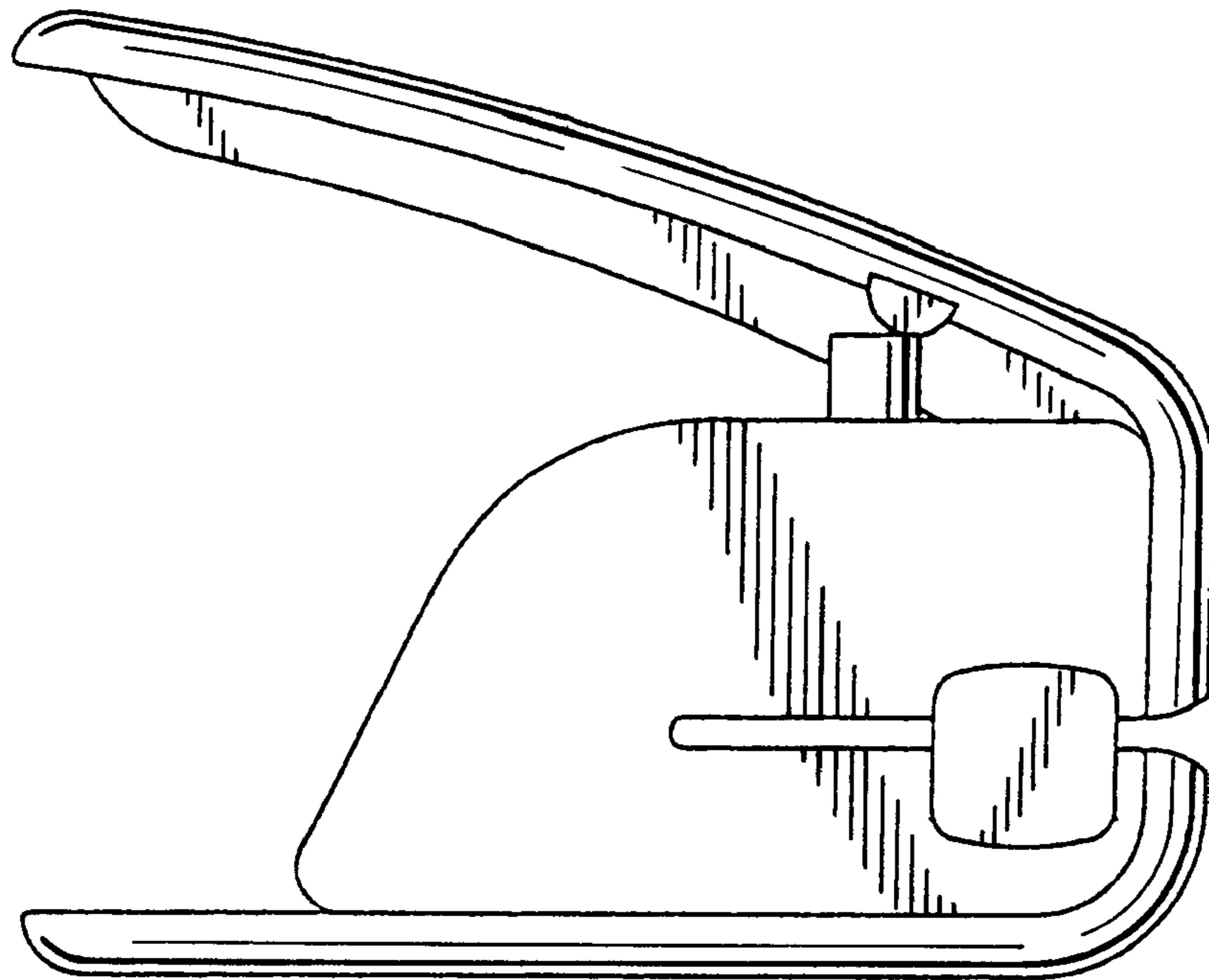


FIG. 8

