

US00D506779S

(12) **United States Design Patent**  
**Jones et al.**

(10) **Patent No.: US D506,779 S**  
(45) **Date of Patent: \*\* Jun. 28, 2005**

(54) **INK STICK FOR PHASE CHANGE INK JET PRINTER**

(75) Inventors: **Brent R. Jones**, Tualatin, OR (US);  
**Frederick T. Mattern**, Portland, OR (US); **Jasper Wong**, Portland, OR (US)

(73) Assignee: **Xerox Corporation**, Stamford, CT (US)

(\*\*) Term: **14 Years**

(21) Appl. No.: **29/195,218**

(22) Filed: **Dec. 8, 2003**

(51) **LOC (8) Cl.** ..... **18-02**

(52) **U.S. Cl.** ..... **D18/56; 347/88**

(58) **Field of Search** ..... **D18/56; D21/499; 347/88, 99; 106/31.29, 31.61**

(56) **References Cited**

**U.S. PATENT DOCUMENTS**

5,223,860 A	6/1993	Loofbourow et al.	
D346,821 S	5/1994	Smith	D18/56
5,510,821 A	4/1996	Jones et al.	347/88
D371,801 S	* 7/1996	Jones et al.	D18/56
D371,802 S	* 7/1996	Jones et al.	D18/56
D372,268 S	* 7/1996	Jones et al.	D18/56
5,734,402 A	3/1998	Rousseau et al.	347/88
D403,699 S	1/1999	Chin et al.	D18/56
5,861,903 A	1/1999	Crawford et al.	347/88
D440,249 S	* 4/2001	Ellers et al.	D18/56
D478,347 S	8/2003	Jones	D18/56
D479,368 S	9/2003	Jones	
D481,758 S	11/2003	Jones	D18/56

D482,062 S	11/2003	Jones	D18/56
D482,389 S	* 11/2003	Jones	D18/56
D482,721 S	* 11/2003	Jones	D18/56
D482,722 S	* 11/2003	Jones	D18/56
6,672,716 B2	* 1/2004	Jones	347/88
D494,620 S	* 8/2004	Levin et al.	D18/56
2003/0202071 A1	10/2003	Jones et al.	347/88
2003/0202075 A1	10/2003	Jones	347/99

**OTHER PUBLICATIONS**

A list of Tektronix/Xerox Corporation Solid Ink Products sold at least one year prior to Apr. 29, 2002.

\* cited by examiner

*Primary Examiner*—Cathy Anne MacCormac

(74) *Attorney, Agent, or Firm*—David J. Arthur

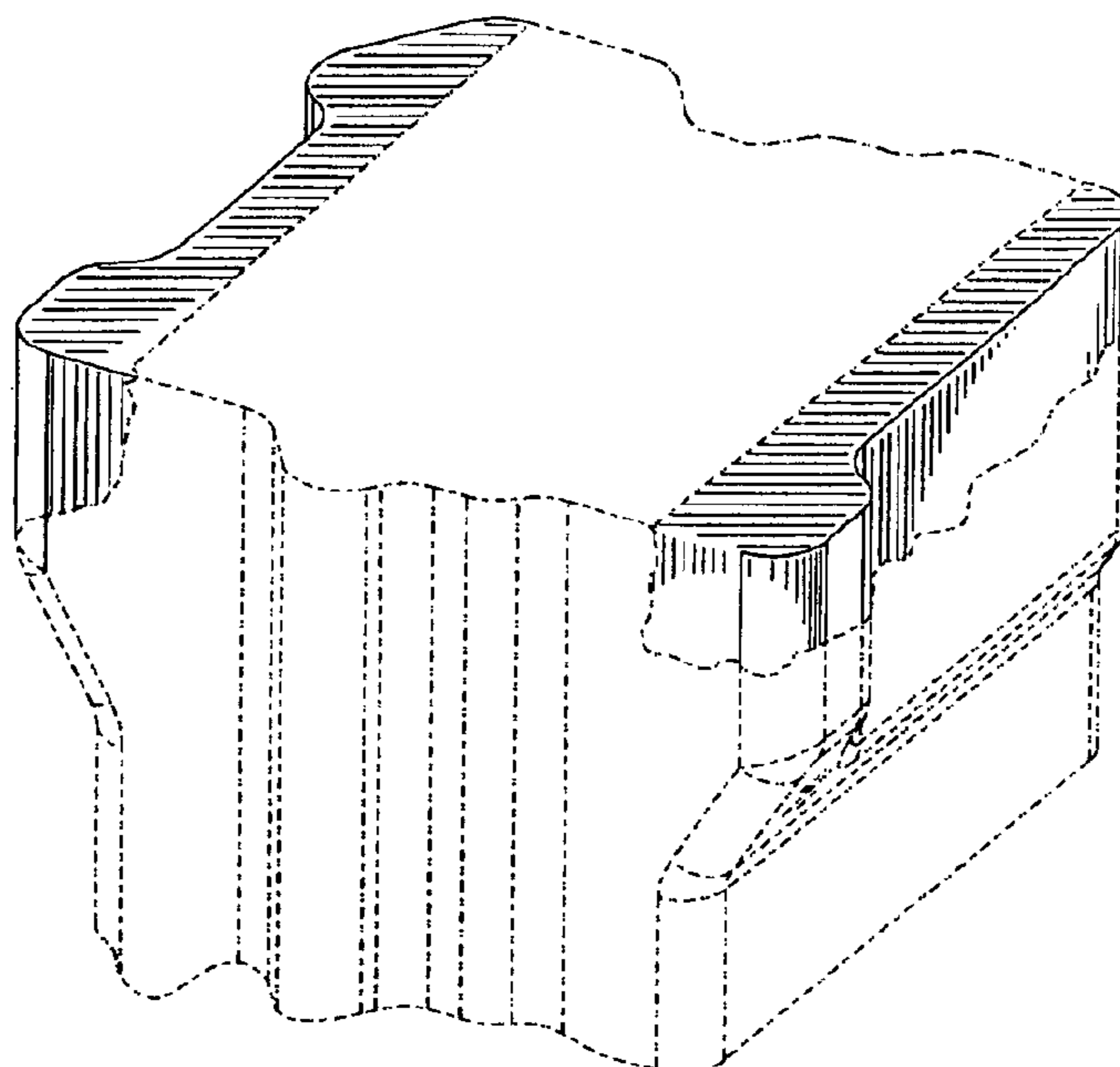
(57) **CLAIM**

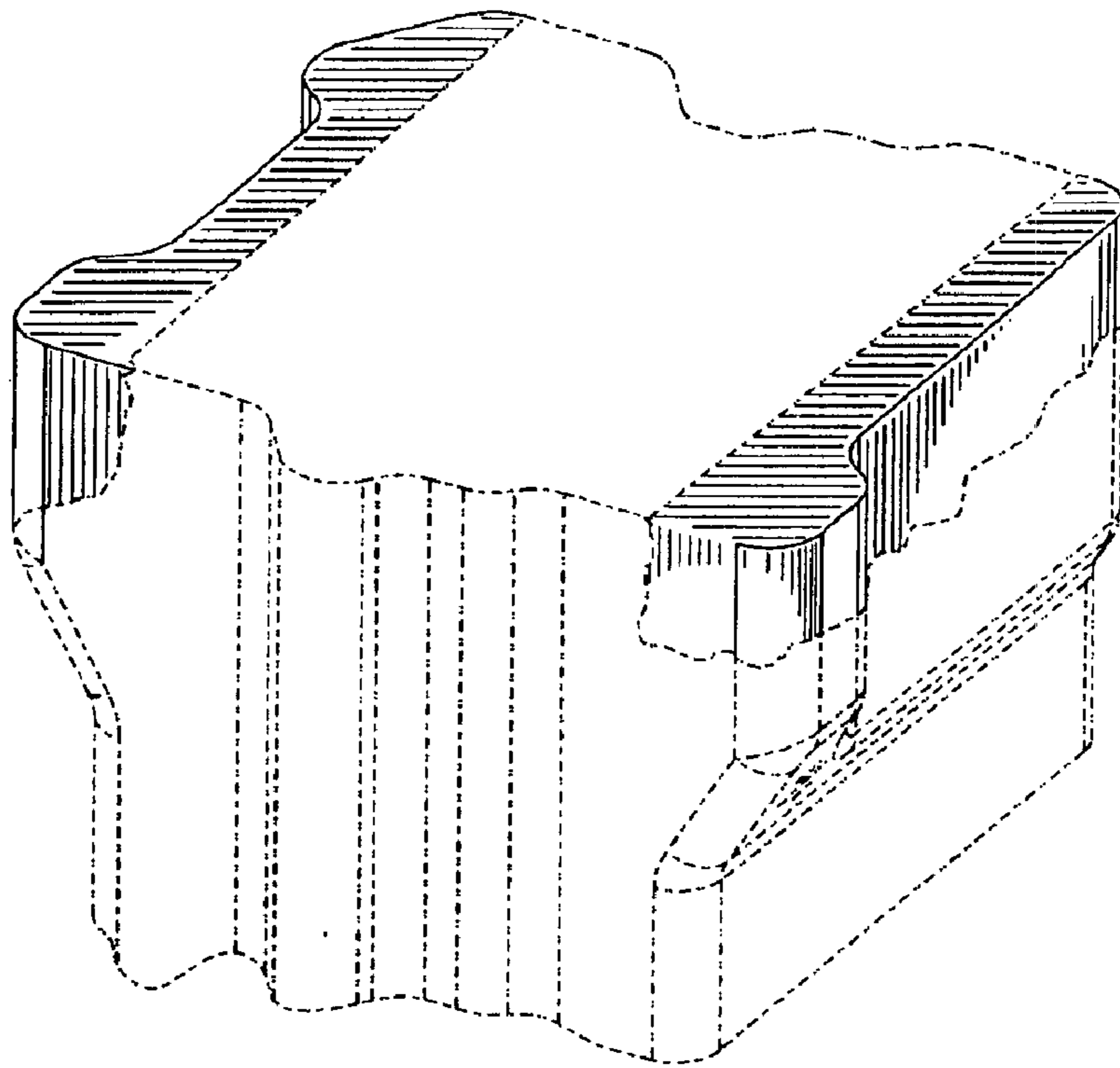
The ornamental design for an ink stick for phase change ink jet printer, as shown and described.

**DESCRIPTION**

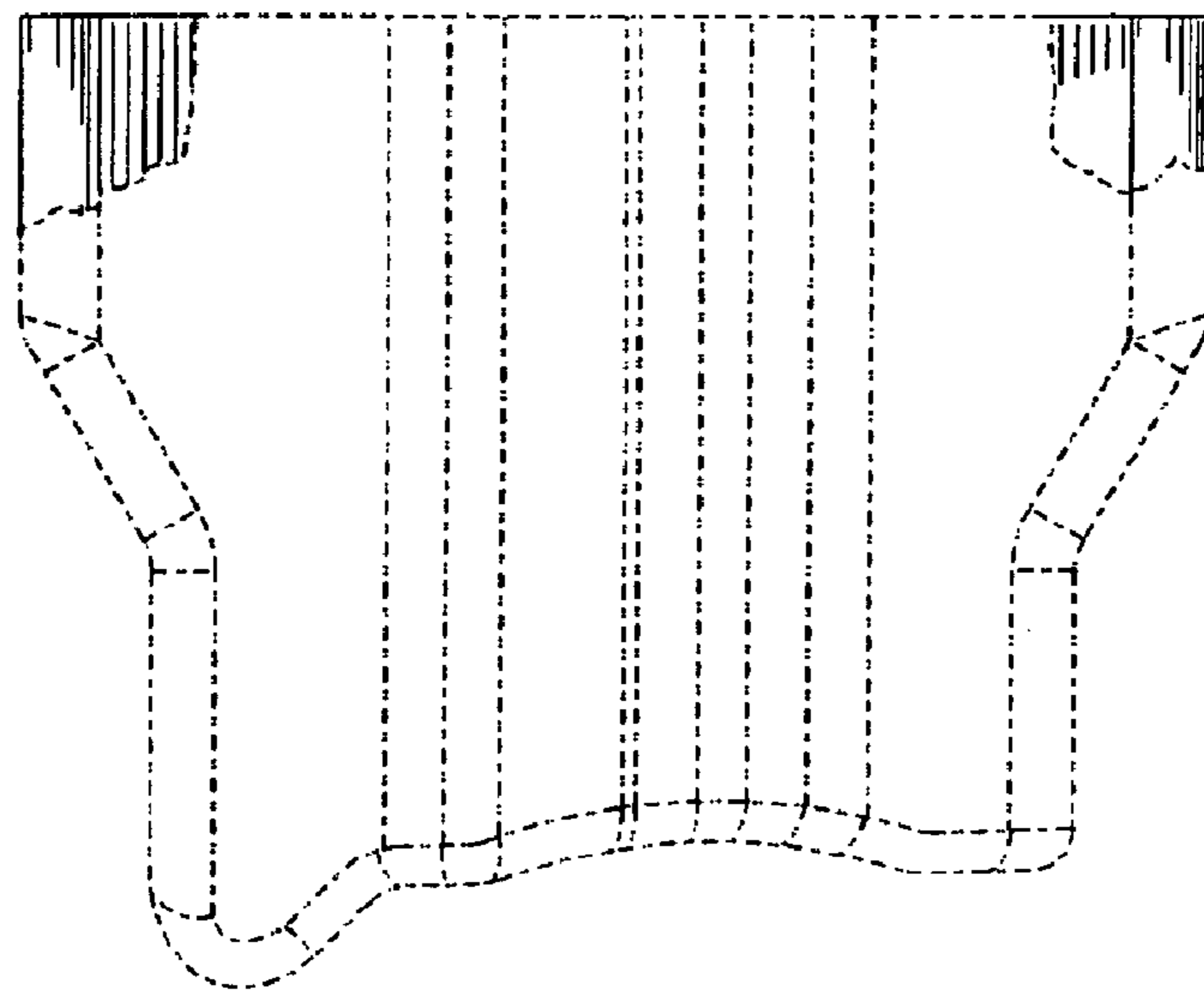
FIG. 1 is a perspective view of an ink stick for phase change ink jet printer illustrating the new design; FIG. 2 is a front elevational view thereof; FIG. 3 is a right side elevational view thereof; FIG. 4 is a rear elevational view thereof; FIG. 5 is a left side elevational view thereof; FIG. 6 is a top plan view thereof; and, FIG. 7 is a bottom plan view thereof. The broken lines are for illustrative purposes only and form no part of the claimed design.

**1 Claim, 4 Drawing Sheets**

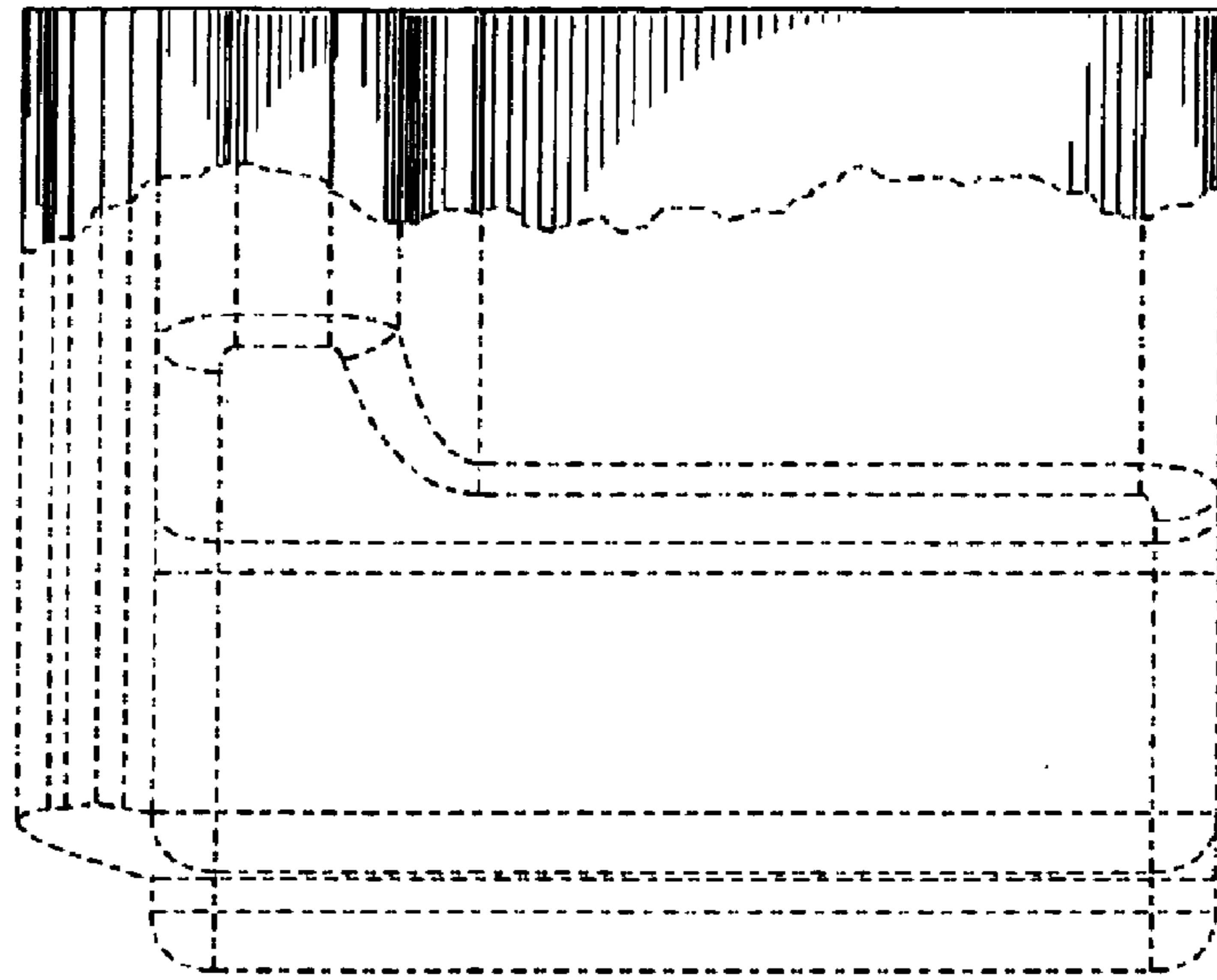




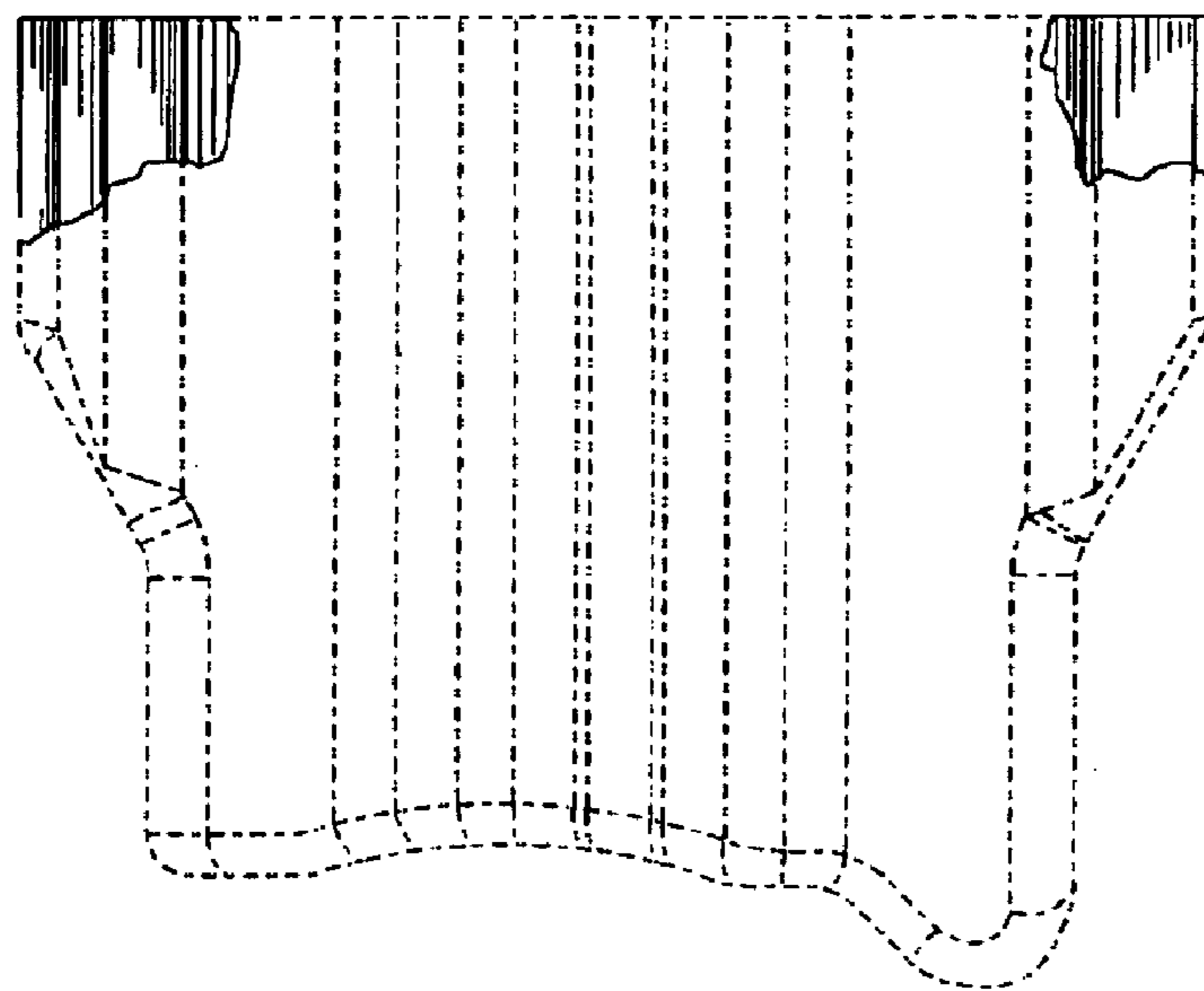
**FIG. 1**



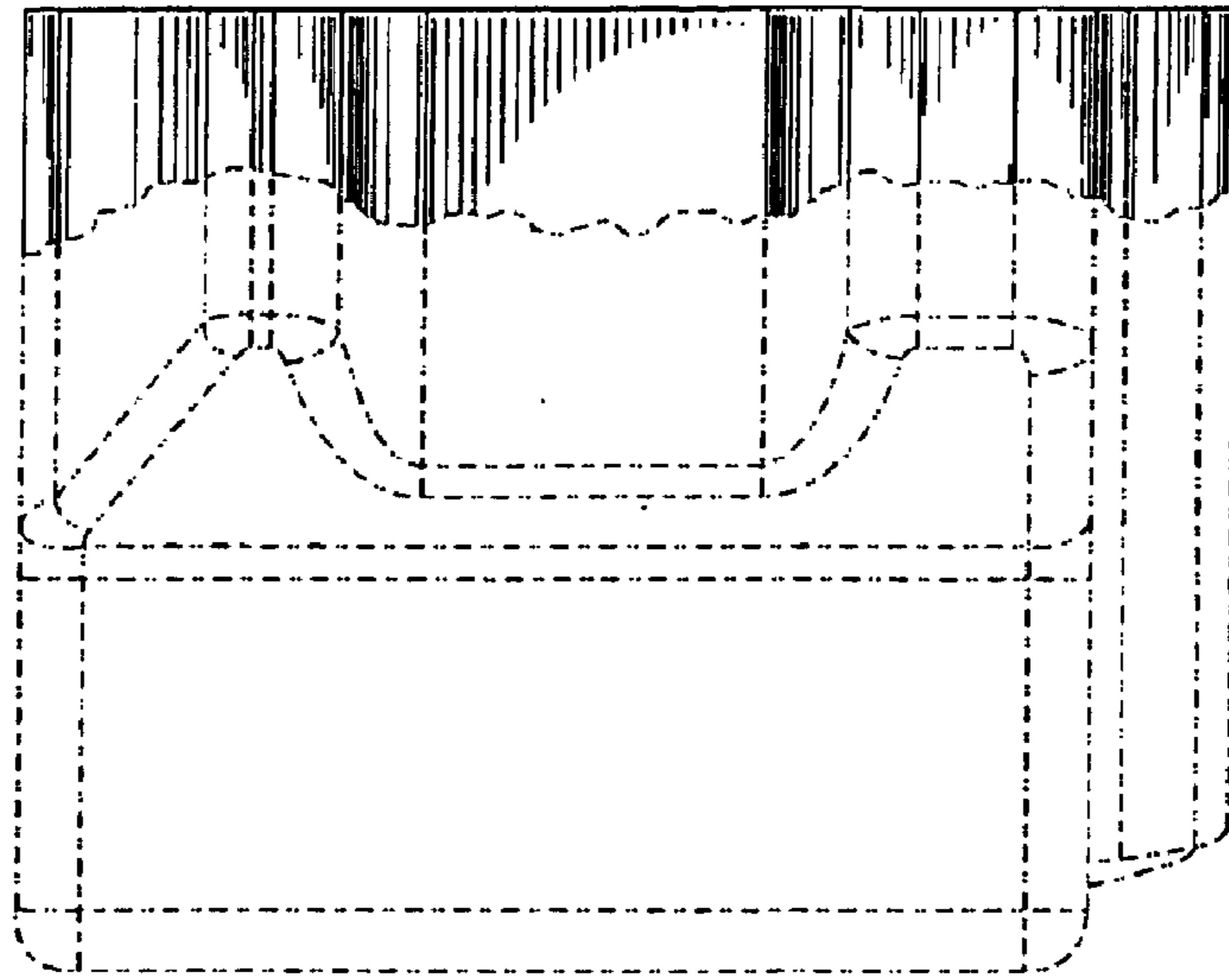
**FIG. 2**



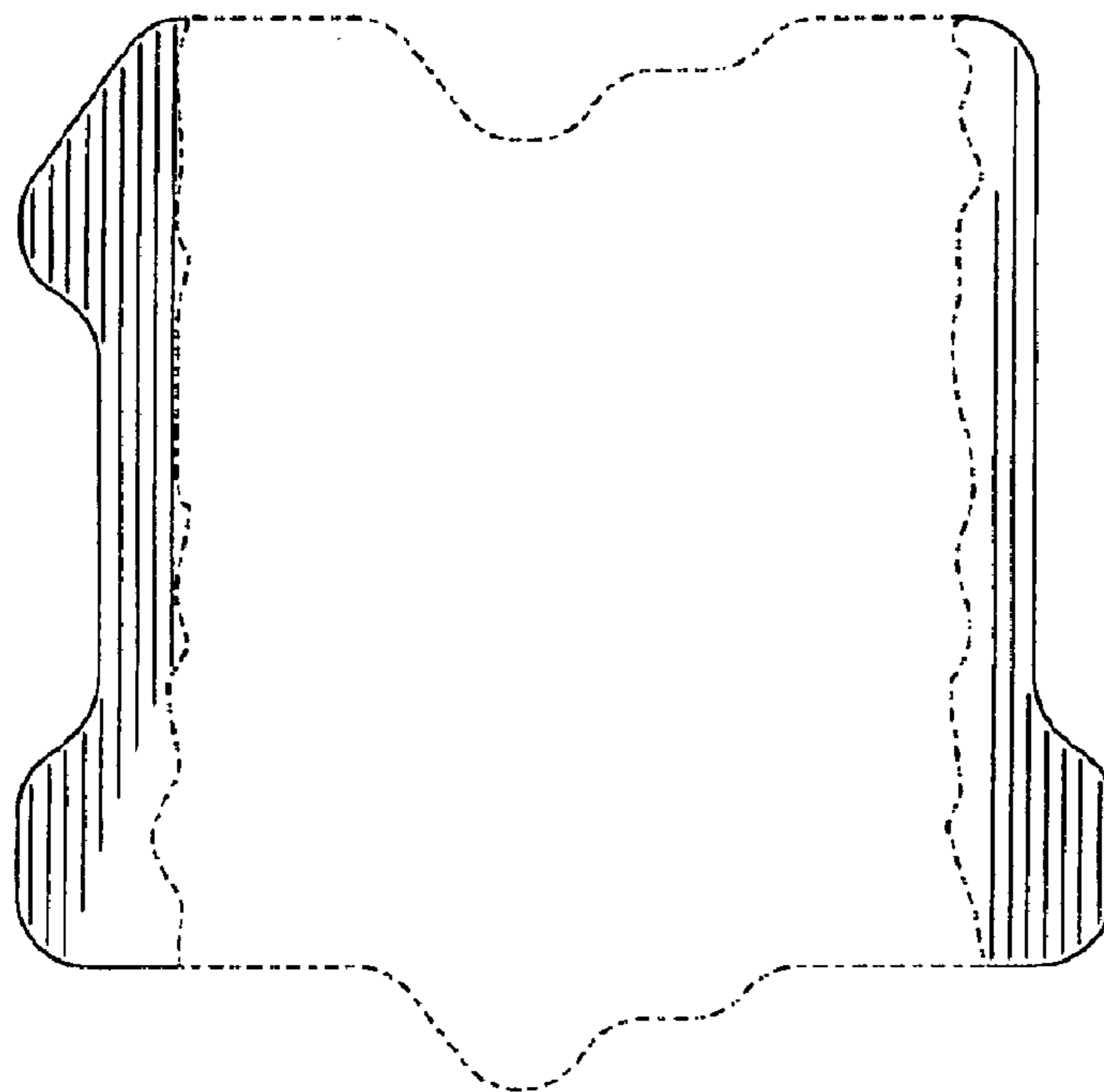
**FIG. 3**



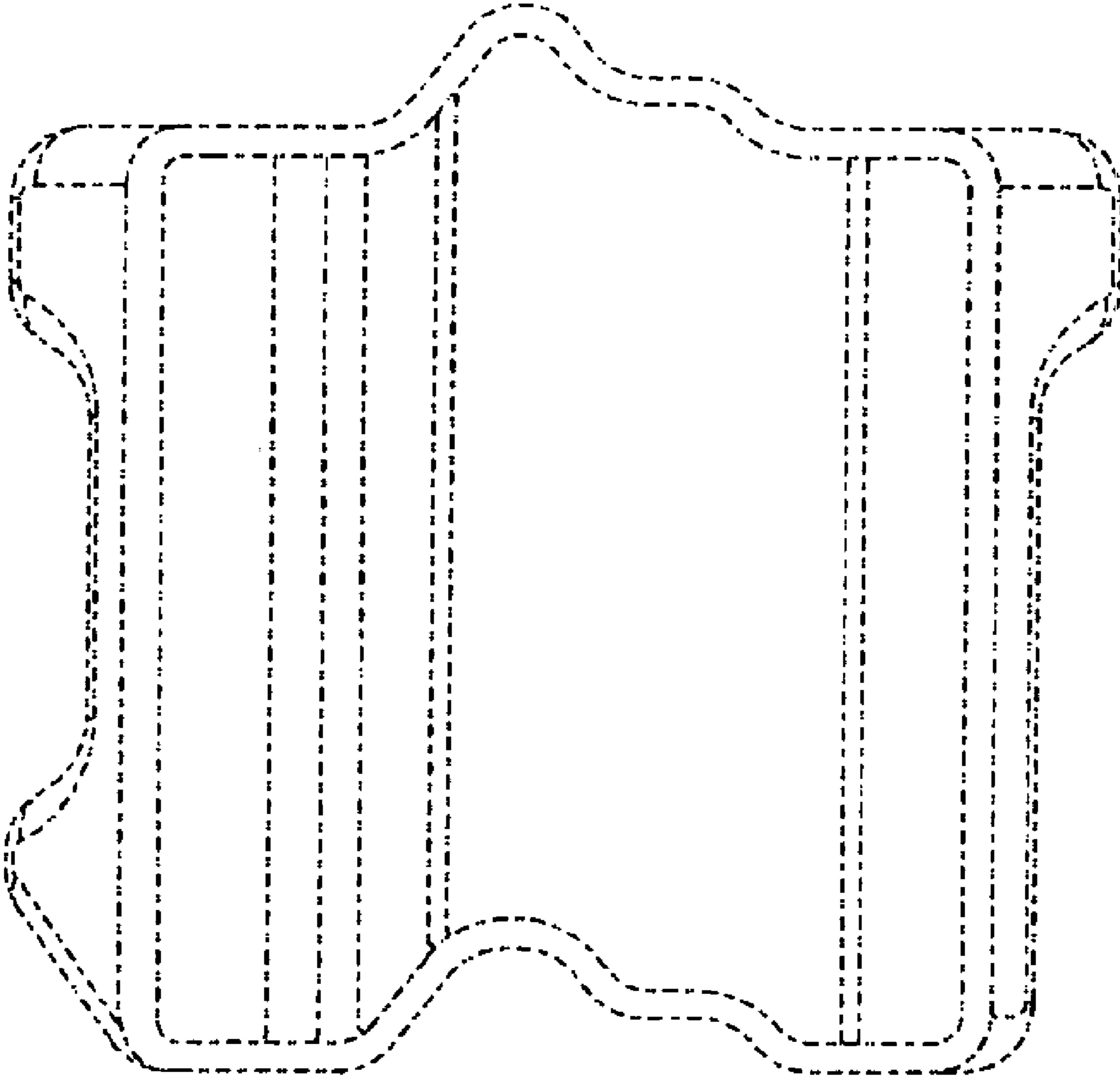
**FIG. 4**



**FIG. 5**



**FIG. 6**



**FIG. 7**