

US00D506776S

(12) **United States Design Patent**
Kobayashi et al.

(10) **Patent No.:** **US D506,776 S**
(45) **Date of Patent:** **** Jun. 28, 2005**

(54) **TONER CARTRIDGE**

(75) Inventors: **Sakiko Kobayashi**, Nagoya (JP);
Fumio Morita, Nagoya (JP);
Shigeharu Katayama, Nagoya (JP);
Tsutomu Suzuki, Nagoya (JP)

(73) Assignee: **Brother Industries, Ltd.**, Nagoya (JP)

(**) Term: **14 Years**

(21) Appl. No.: **29/197,018**

(22) Filed: **Jan. 8, 2004**

(30) **Foreign Application Priority Data**

Jul. 9, 2003 (JP) 2003-19896

(51) **LOC (8) Cl.** **16-03**

(52) **U.S. Cl.** **D18/43**

(58) **Field of Search** D18/40, 43, 56;
222/DIG. 1; 399/24-30, 110-125, 252-262

(56) **References Cited**

U.S. PATENT DOCUMENTS

- D319,842 S * 9/1991 Tanda D18/43
- D366,275 S * 1/1996 Komaki D18/43
- D415,191 S * 10/1999 Okada D18/43
- D422,304 S 4/2000 Suzuki et al.
- D442,216 S 5/2001 Kimura et al.

- D458,959 S * 6/2002 Tanda D18/43
- D459,387 S * 6/2002 Tanda D18/43
- D460,980 S * 7/2002 Matsuzaki et al. D18/40
- D464,671 S * 10/2002 Tanda D18/43
- D471,228 S 3/2003 Okabe et al.

* cited by examiner

Primary Examiner—Caron D. Veynar

(74) *Attorney, Agent, or Firm*—Oliff & Berridge, PLC

(57) **CLAIM**

The ornamental design for a toner cartridge, as shown and described.

DESCRIPTION

FIG. 1 is a Front Elevation View of a toner cartridge of the present invention;
 FIG. 2 is a Top Plan View thereof;
 FIG. 3 is a Right Side View thereof;
 FIG. 4 is a Left Side View thereof;
 FIG. 5 is a Rear Elevation View thereof;
 FIG. 6 is a Bottom Plan View thereof;
 FIG. 7 is a top perspective view thereof;
 FIG. 8 is a bottom perspective view thereof; and,
 FIG. 9 is an enlarged cross section view taken along line 9—9 in FIG. 2.

The broken lines are for purposes of illustration only and form no part of the claimed design.

1 Claim, 5 Drawing Sheets

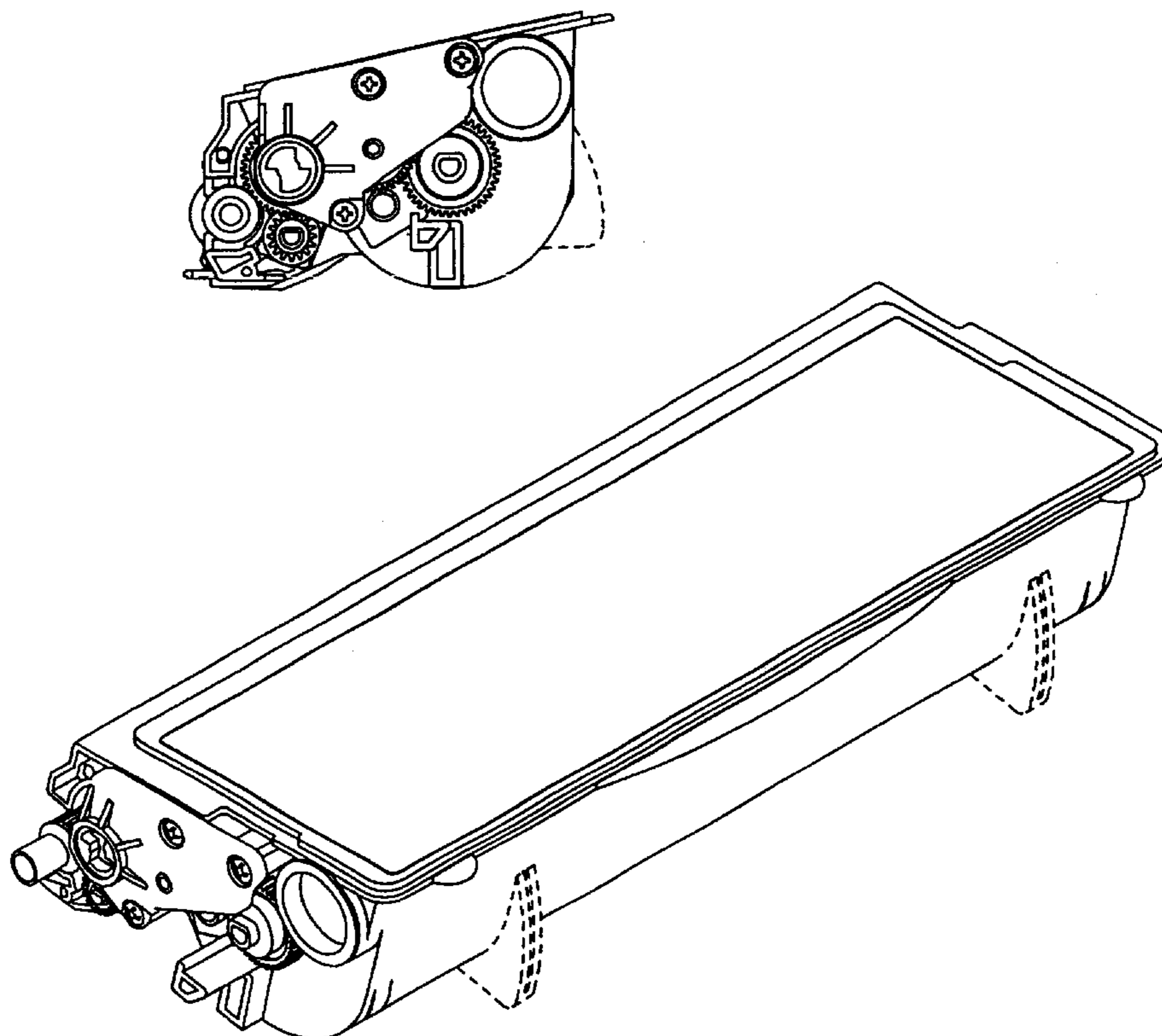


Fig. 1

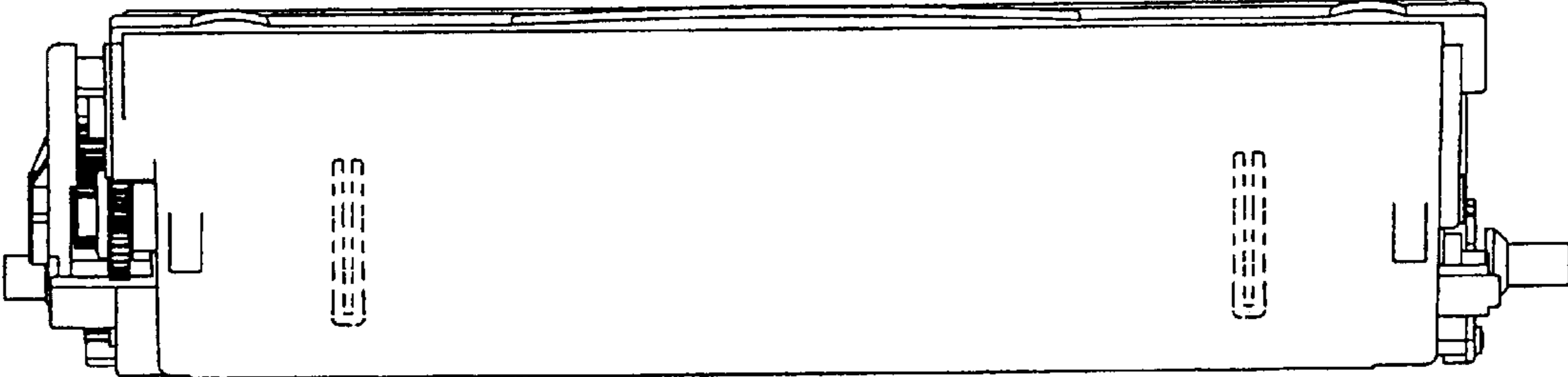


Fig. 2

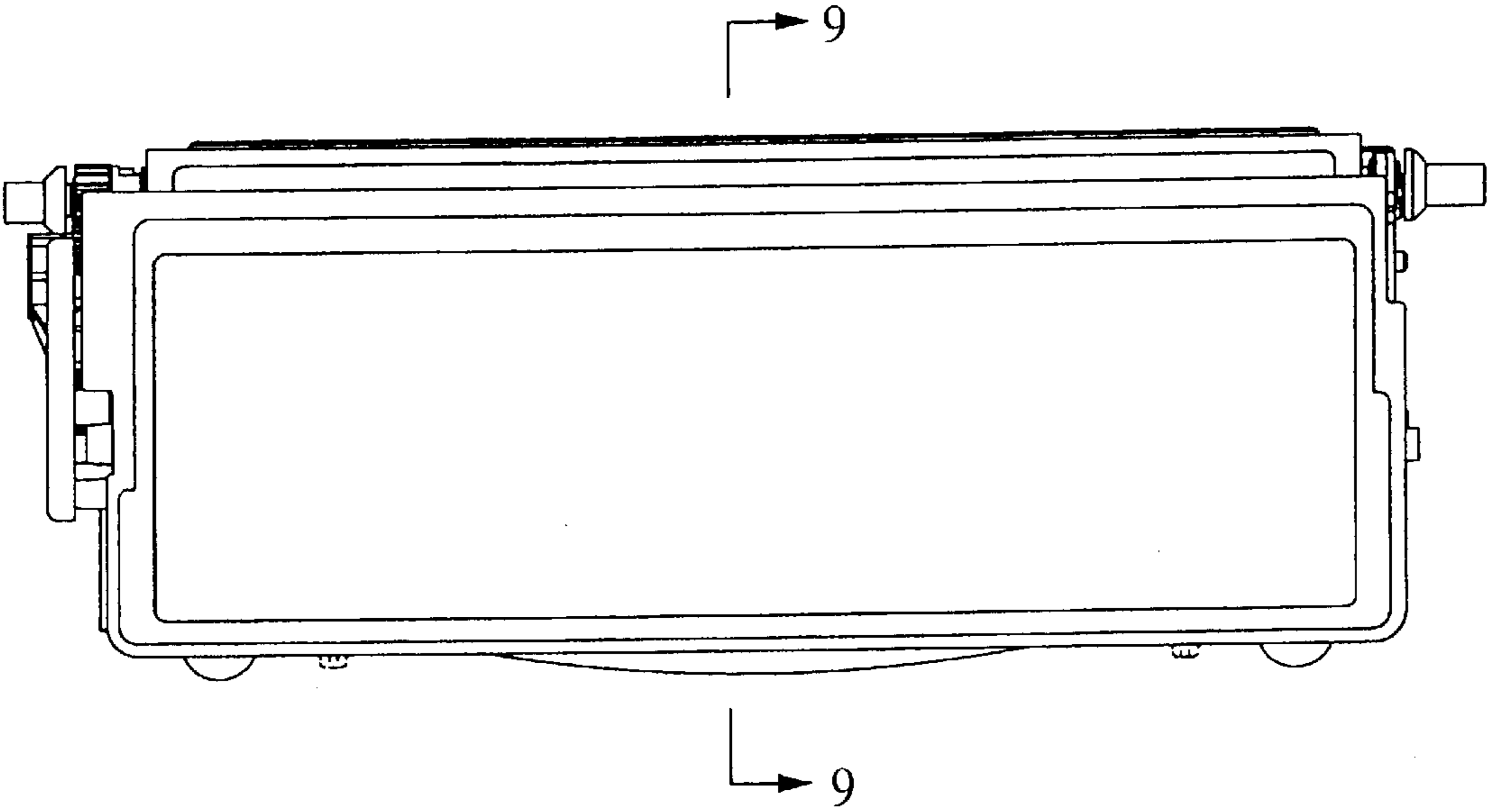


Fig. 3

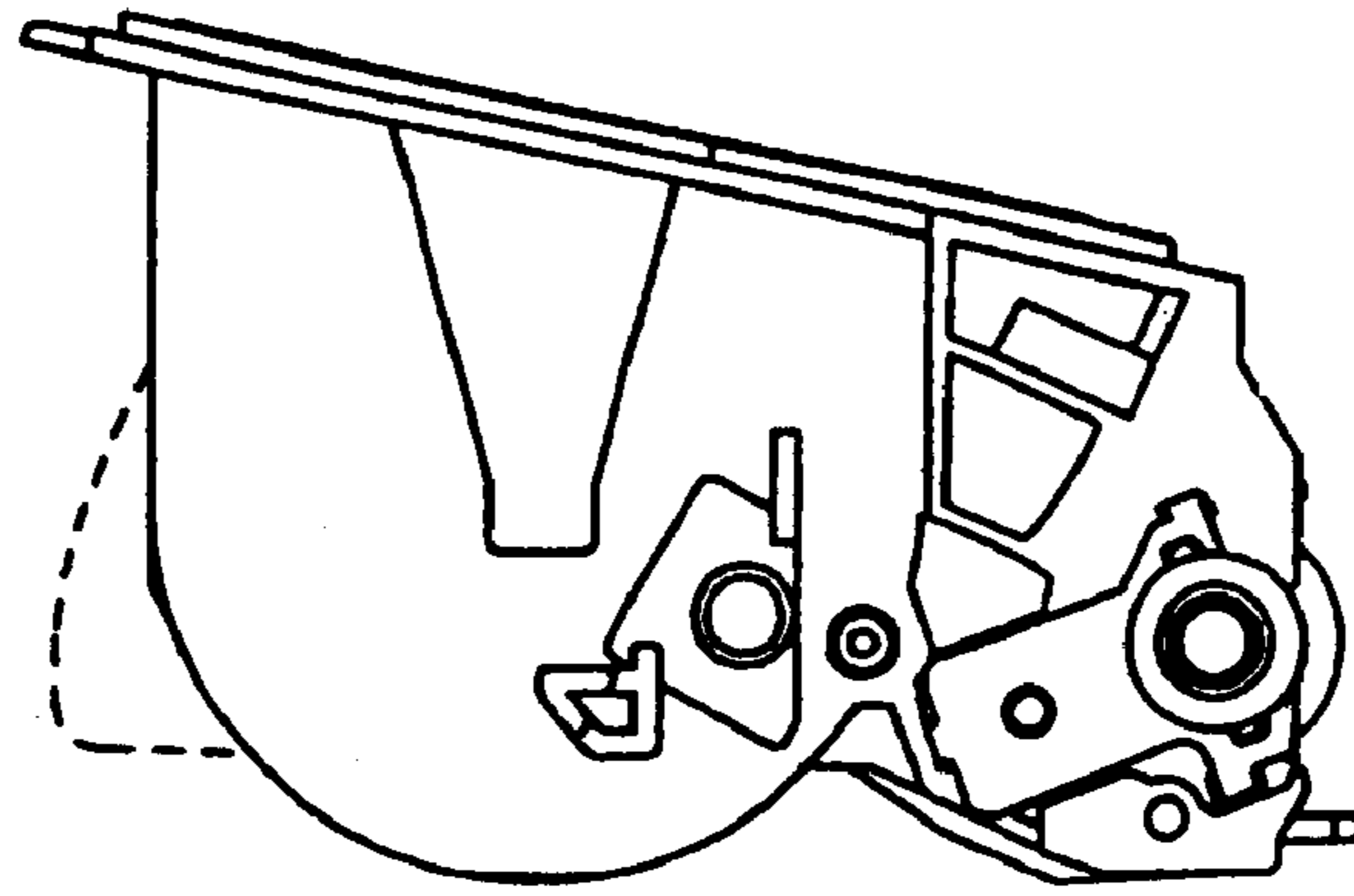


Fig. 4

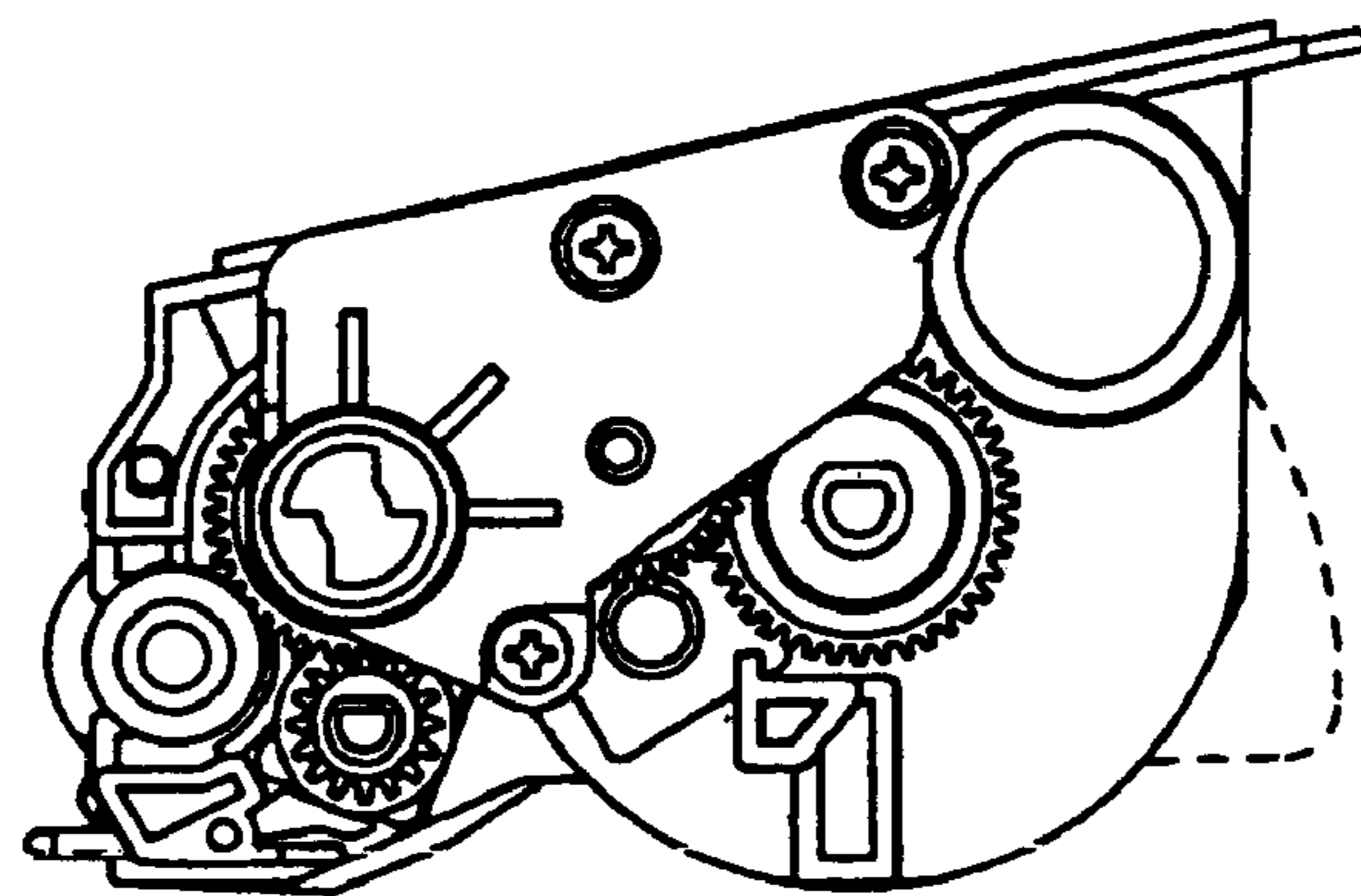


Fig. 5

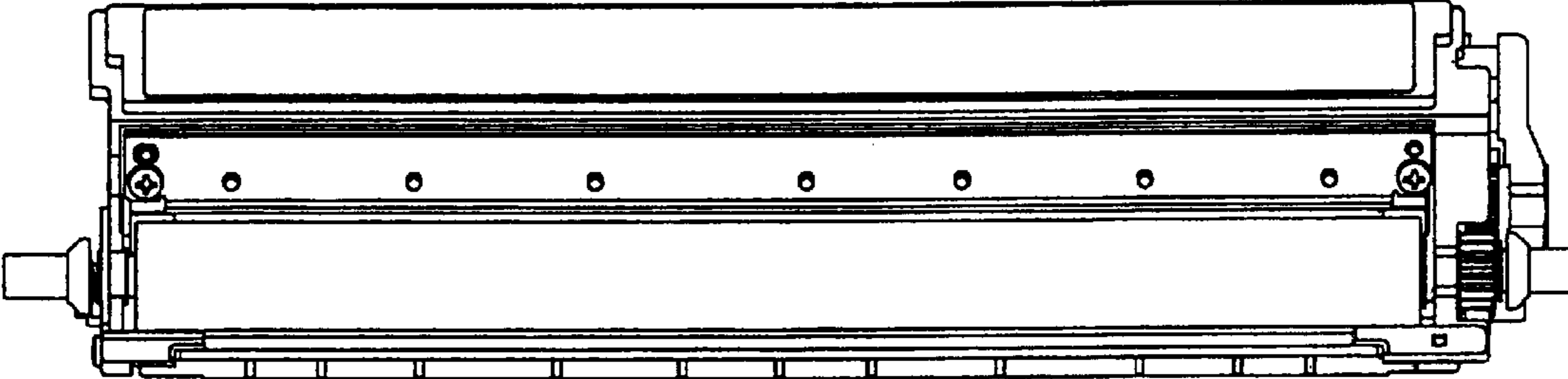


Fig. 6

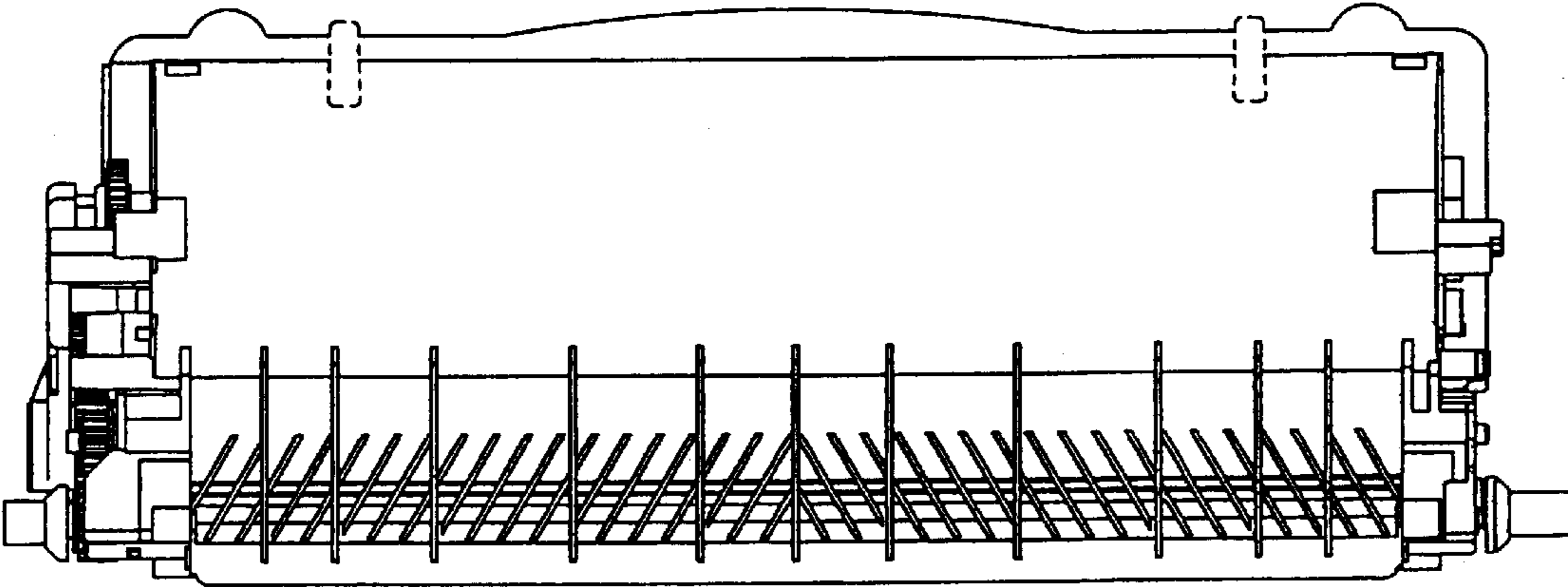


Fig. 7

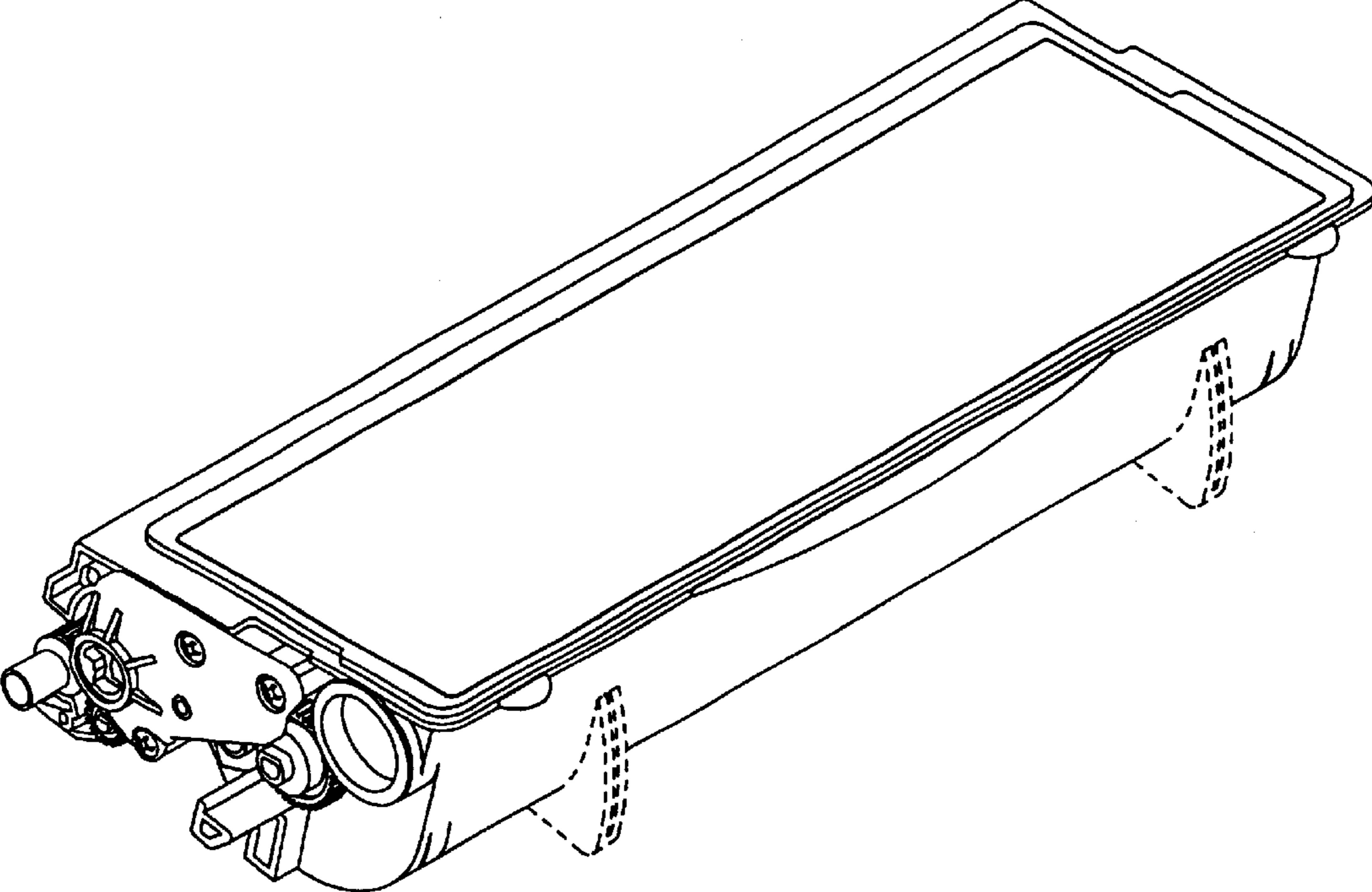


Fig. 8

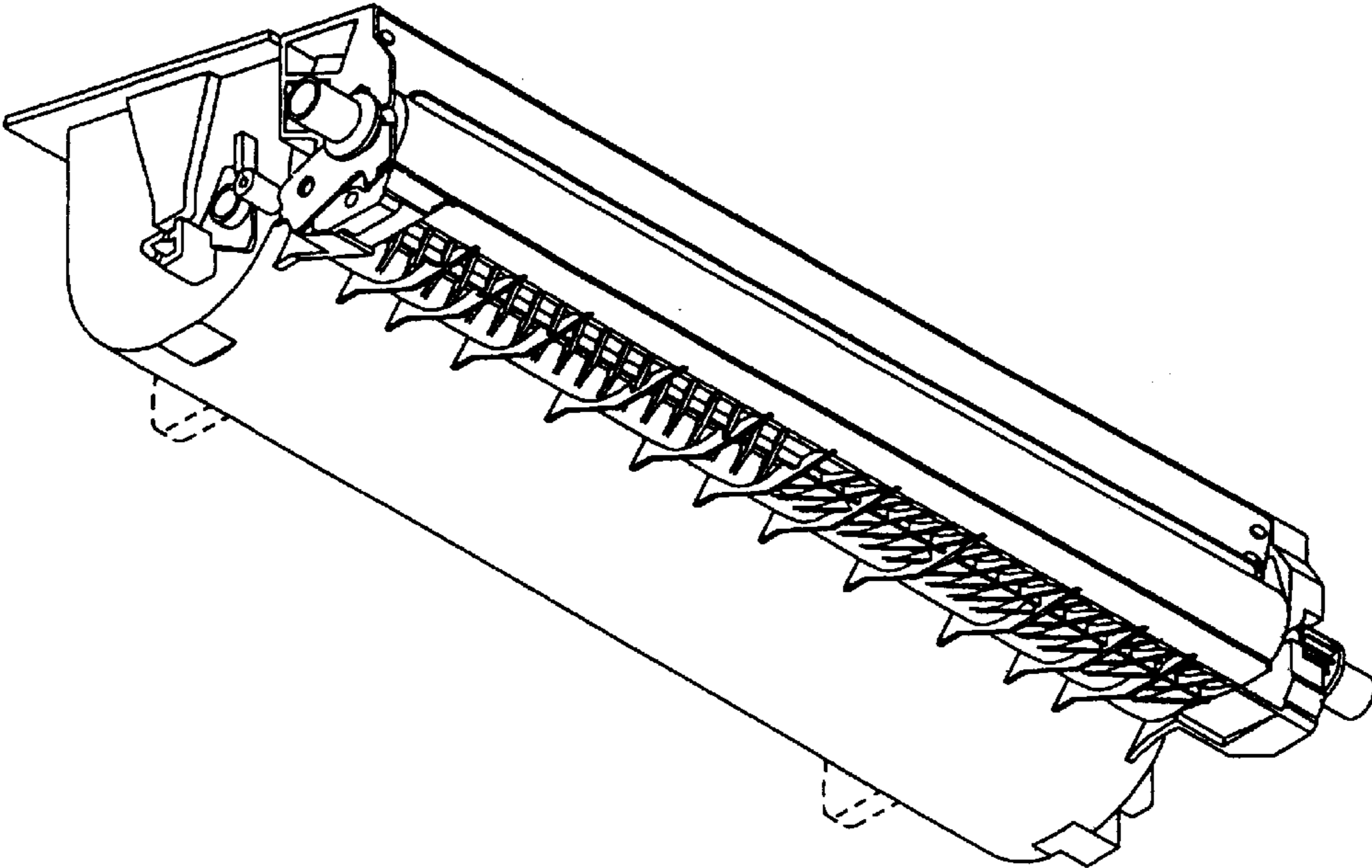


Fig. 9

