

US00D506771S

(12) **United States Design Patent**
Ooshima et al.

(10) **Patent No.:** **US D506,771 S**
(45) **Date of Patent:** **** Jun. 28, 2005**

(54) **LIQUID CRYSTAL PROJECTOR**
(75) Inventors: **Jun Ooshima, Ota-ku (JP); Masatomo Naruki, Kawasaki (JP)**

D475,389 S 6/2003 Kurokawa
D477,833 S 7/2003 Kurokawa et al.
D480,410 S * 10/2003 Morishita et al. D16/230
D491,973 S * 6/2004 Morishita et al. D16/230
D492,338 S 6/2004 Ooshima

(73) Assignee: **Kabushiki Kaisha Toshiba (JP)**

FOREIGN PATENT DOCUMENTS

(**) Term: **14 Years**

JP 1018637-2 11/2000

(21) Appl. No.: **29/202,516**

* cited by examiner

(22) Filed: **Apr. 1, 2004**

Primary Examiner—Adir Aronovich

(30) **Foreign Application Priority Data**

(74) *Attorney, Agent, or Firm*—Banner & Witcoff, Ltd.

Feb. 25, 2004 (JP) 2004-005533

(57) **CLAIM**

(51) **LOC (8) Cl.** **16-02**

The ornamental design for a liquid crystal projector, as shown and described.

(52) **U.S. Cl.** **D16/230; D16/225**

DESCRIPTION

(58) **Field of Search** D16/205, 208,
D16/221, 225, 229, 230, 231, 234, 235;
D21/514; 353/115, 119, 122

FIG. 1 is a top, front and right side perspective view of a liquid crystal projector showing our new design, FIG. 2 is a front elevational view thereof, FIG. 3 is a rear elevational view thereof, FIG. 4 is a top plan view thereof, FIG. 5 is a left side elevational view thereof, FIG. 6 is a right side elevational view thereof; and, FIG. 7 is a bottom plan view thereof.

(56) **References Cited**

U.S. PATENT DOCUMENTS

D449,060 S * 10/2001 Saeki et al. D16/230
D450,076 S * 11/2001 Fujimaki D16/230
D454,360 S * 3/2002 Shimizu et al. D16/230
D472,570 S * 4/2003 Takahashi D16/230
6,568,813 B1 * 5/2003 Haba et al. 353/119

1 Claim, 3 Drawing Sheets

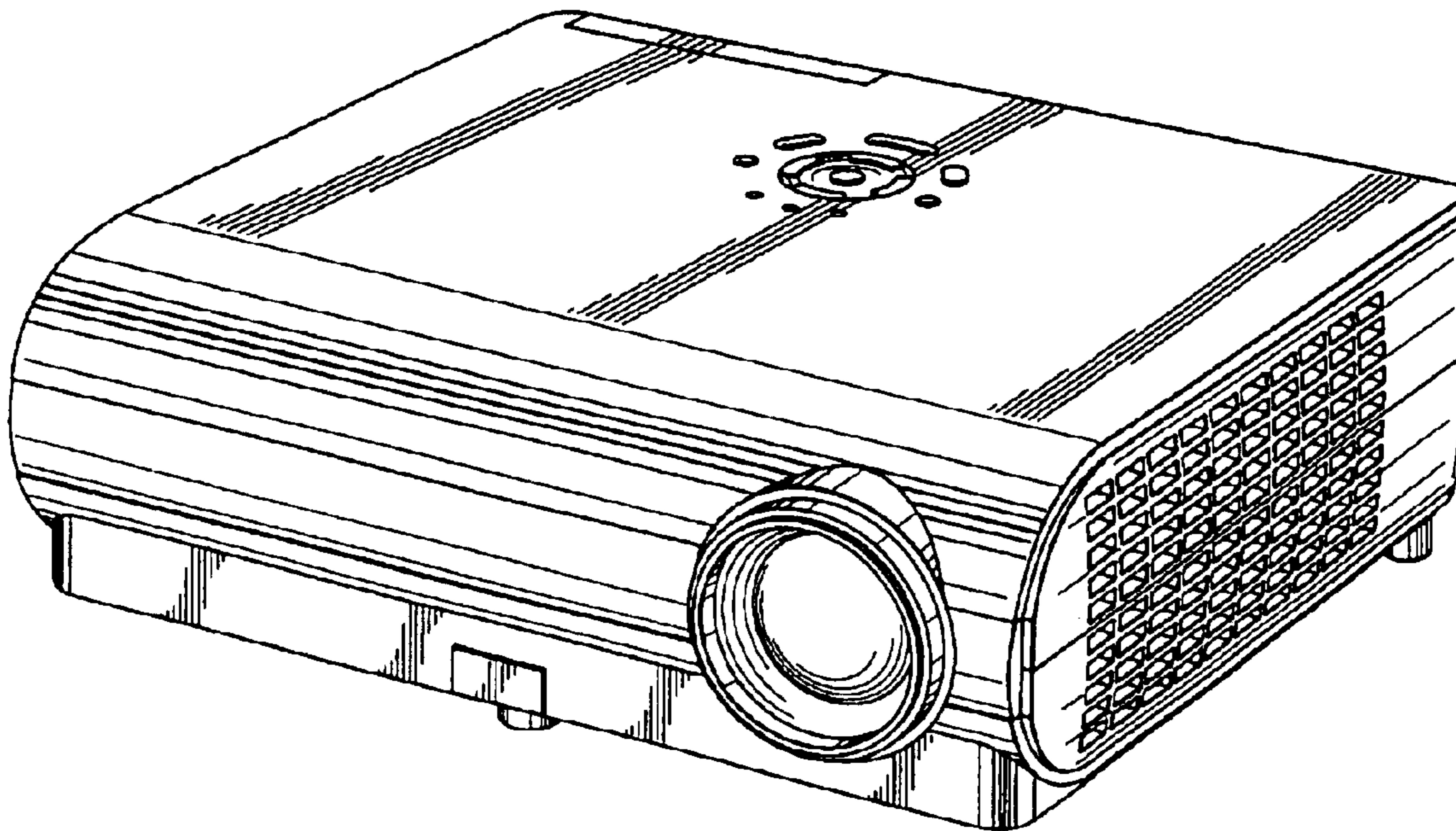


FIG. 1

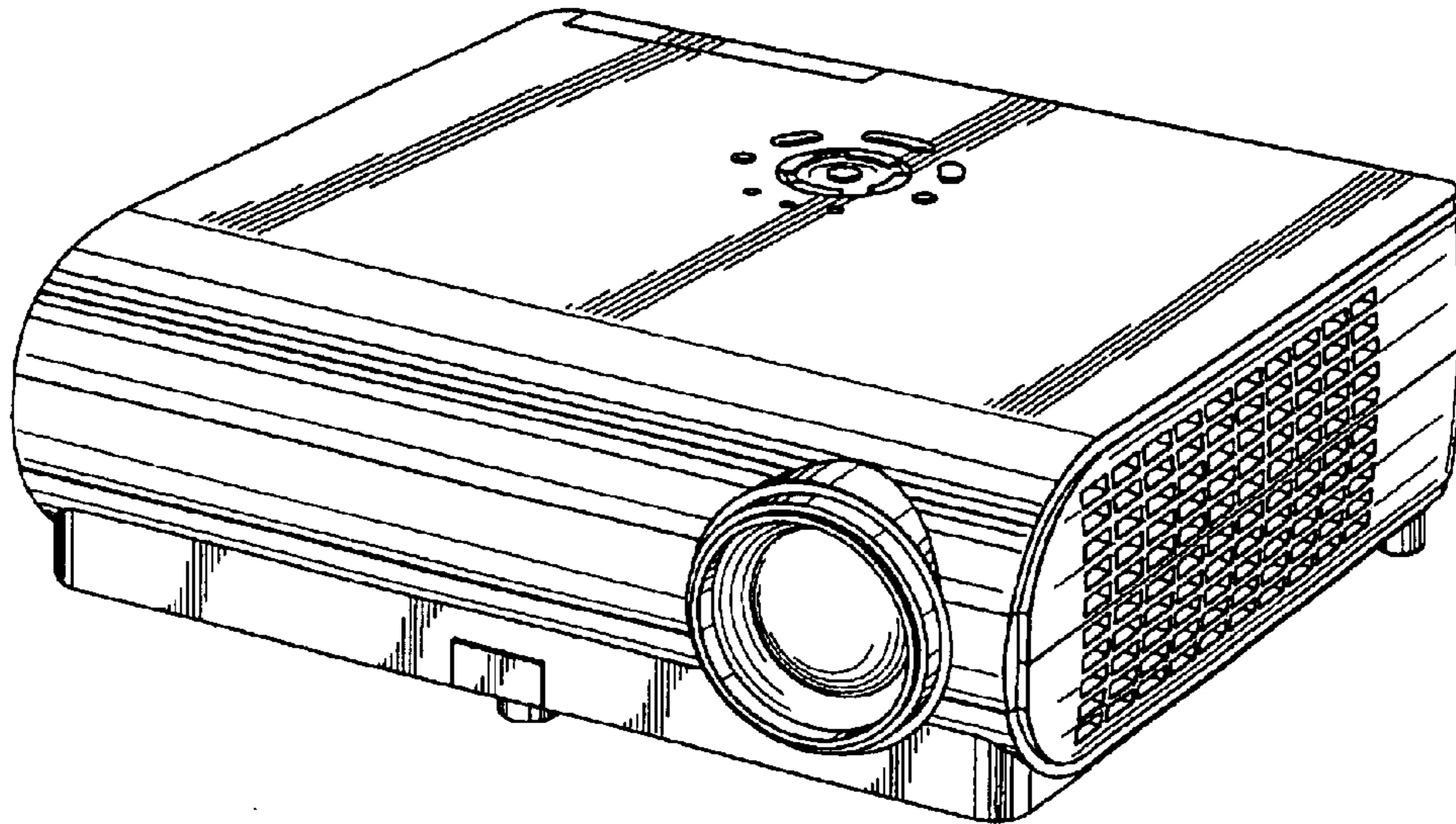


FIG. 2

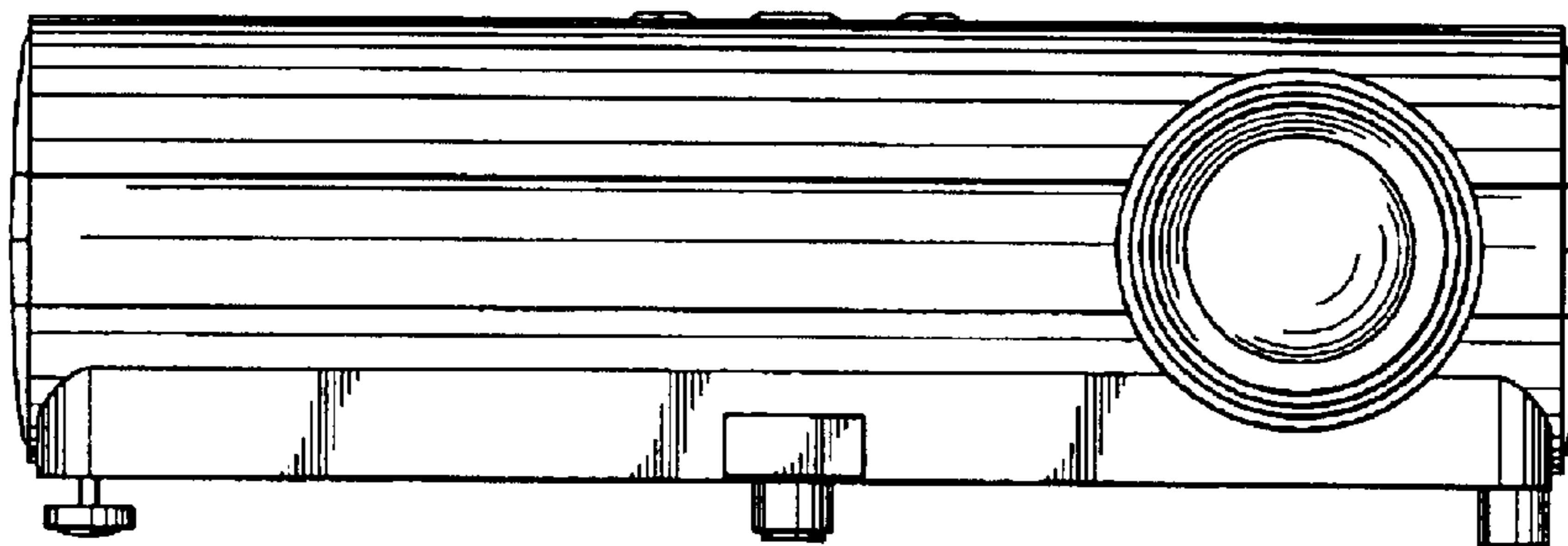


FIG. 3

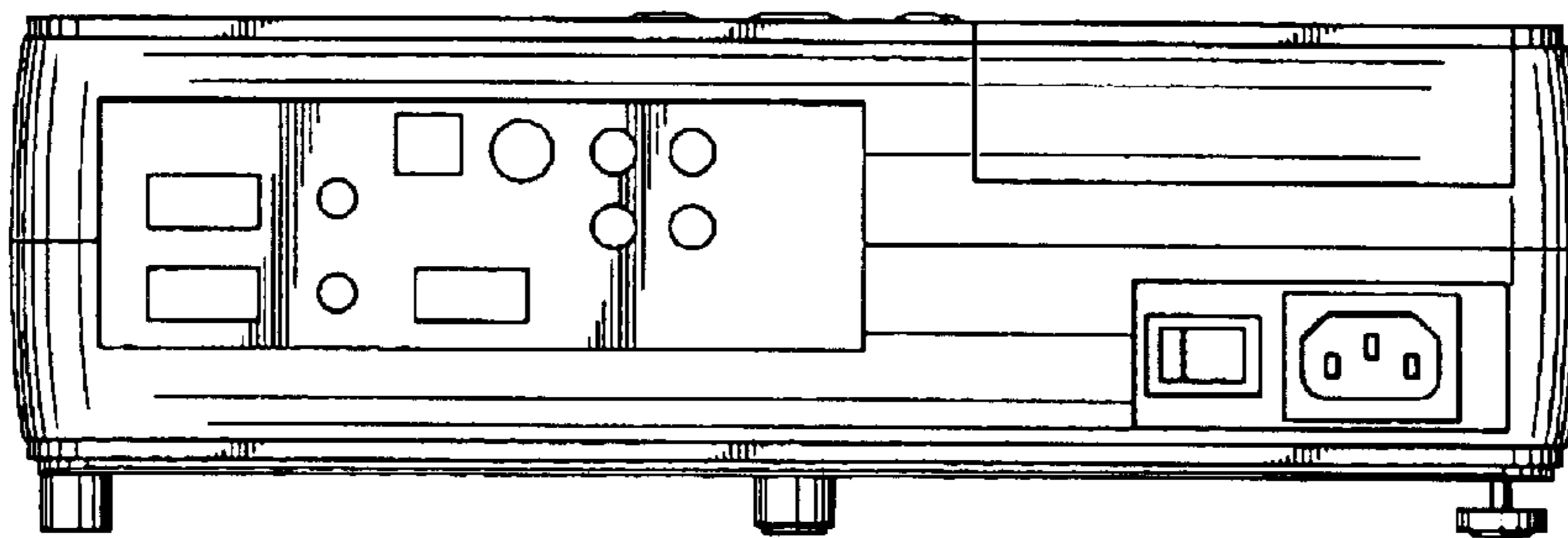


FIG. 4

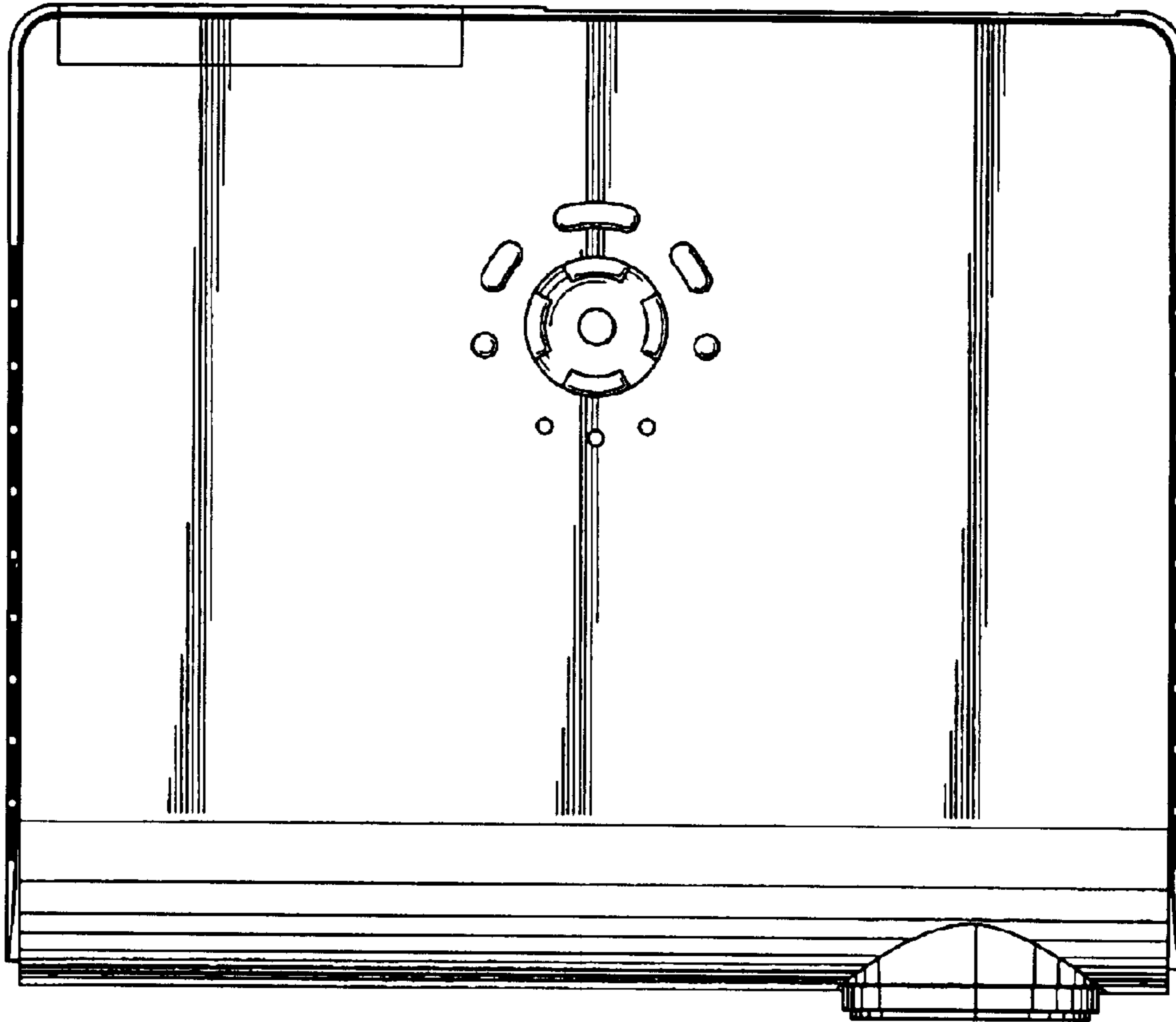


FIG. 5

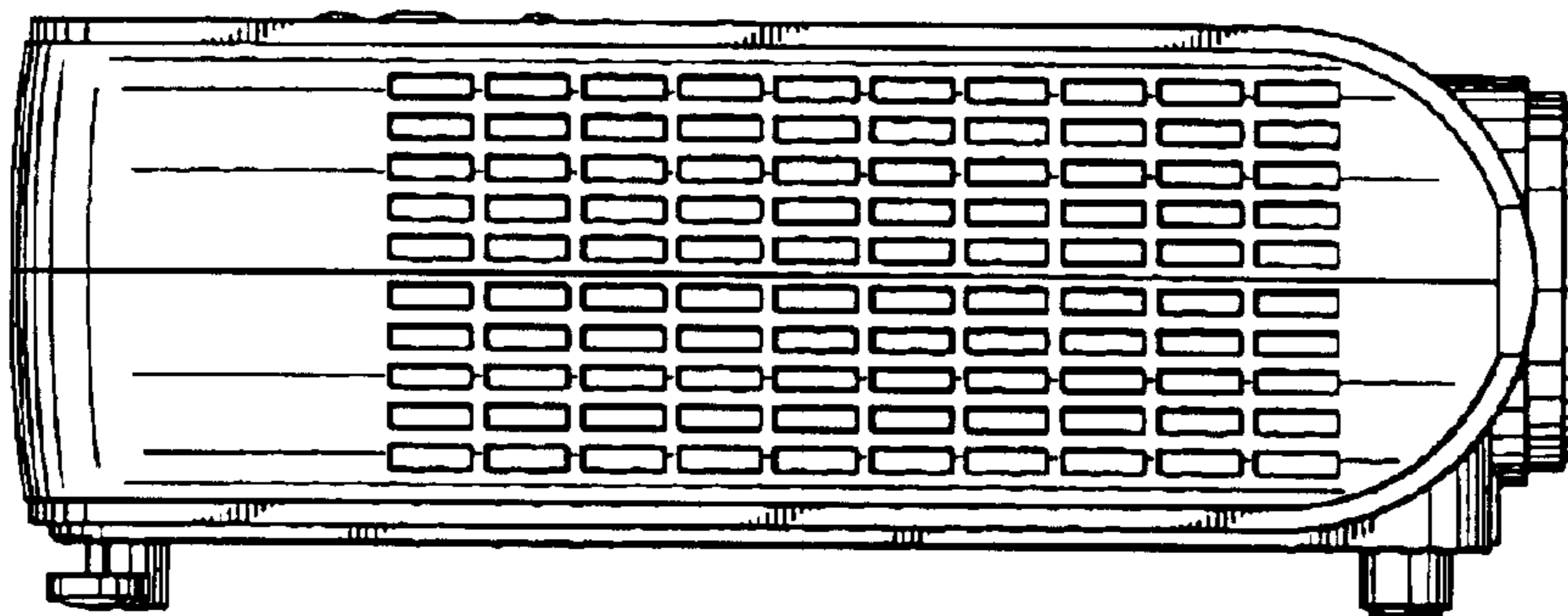


FIG. 6

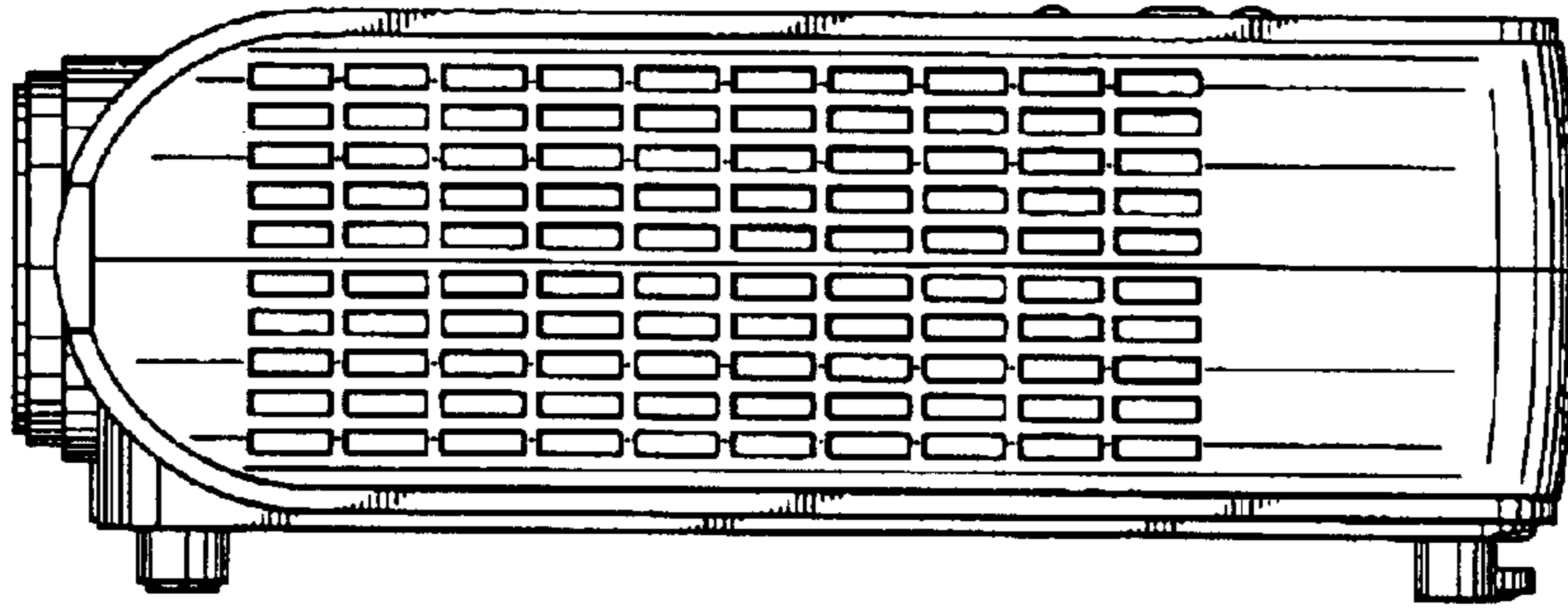


FIG. 7

