

US00D506770S

(12) **United States Design Patent**
Saeki et al.

(10) **Patent No.: US D506,770 S**
(45) **Date of Patent: ** Jun. 28, 2005**

(54) **VIDEO PROJECTOR**
(75) Inventors: **Taisuke Saeki**, Tochigi-ken (JP);
Yoshito Fujii, Tochigi-ken (JP);
Yasutaka Shimamoto, Tochigi-ken (JP)

(73) Assignee: **Sharp Kabushiki Kaisha**, Osaka (JP)

(**) Term: **14 Years**

(21) Appl. No.: **29/182,324**

(22) Filed: **May 27, 2003**

(30) **Foreign Application Priority Data**

Nov. 27, 2002 (JP) 2002-032742

(51) **LOC (8) Cl.** **16-02**

(52) **U.S. Cl.** **D16/230; D16/225**

(58) **Field of Search** **D16/205, 208,**
D16/221, 225, 229, 230, 231, 234, 235;
D21/514; 353/115, 119, 122

(56) **References Cited**

U.S. PATENT DOCUMENTS

D343,850 S	2/1994	Saeki et al.
D356,103 S	3/1995	Saeki et al.
D364,416 S	11/1995	Saeki et al.
D365,587 S	12/1995	Saeki et al.
D387,795 S	12/1997	Sakamoto
D388,111 S	12/1997	Iida
D391,592 S	3/1998	Sakamoto et al.
D398,321 S	9/1998	Iida
D398,622 S	9/1998	Saeki et al.

D412,926 S	8/1999	Saeki et al.	
D419,172 S	1/2000	Saeki et al.	
D428,619 S	7/2000	Saeki et al.	
D434,430 S	11/2000	Saeki et al.	
D441,387 S	5/2001	Saeki et al.	
D449,060 S	10/2001	Saeki et al.	
D450,076 S	* 11/2001	Fujimaki D16/230
D454,360 S	3/2002	Shimizu et al.	
D457,179 S	5/2002	Saeki et al.	
D470,525 S	* 2/2003	Nakayama et al. D16/231
D473,253 S	4/2003	Shimamoto	
D474,799 S	* 5/2003	Kawasaki et al. D16/230
D477,833 S	* 7/2003	Kurokawa et al. D16/230
6,793,346 B2	* 9/2004	Nakano et al. 353/119

* cited by examiner

Primary Examiner—Adir Aronovich

(74) *Attorney, Agent, or Firm*—Nixon & Vanderhye

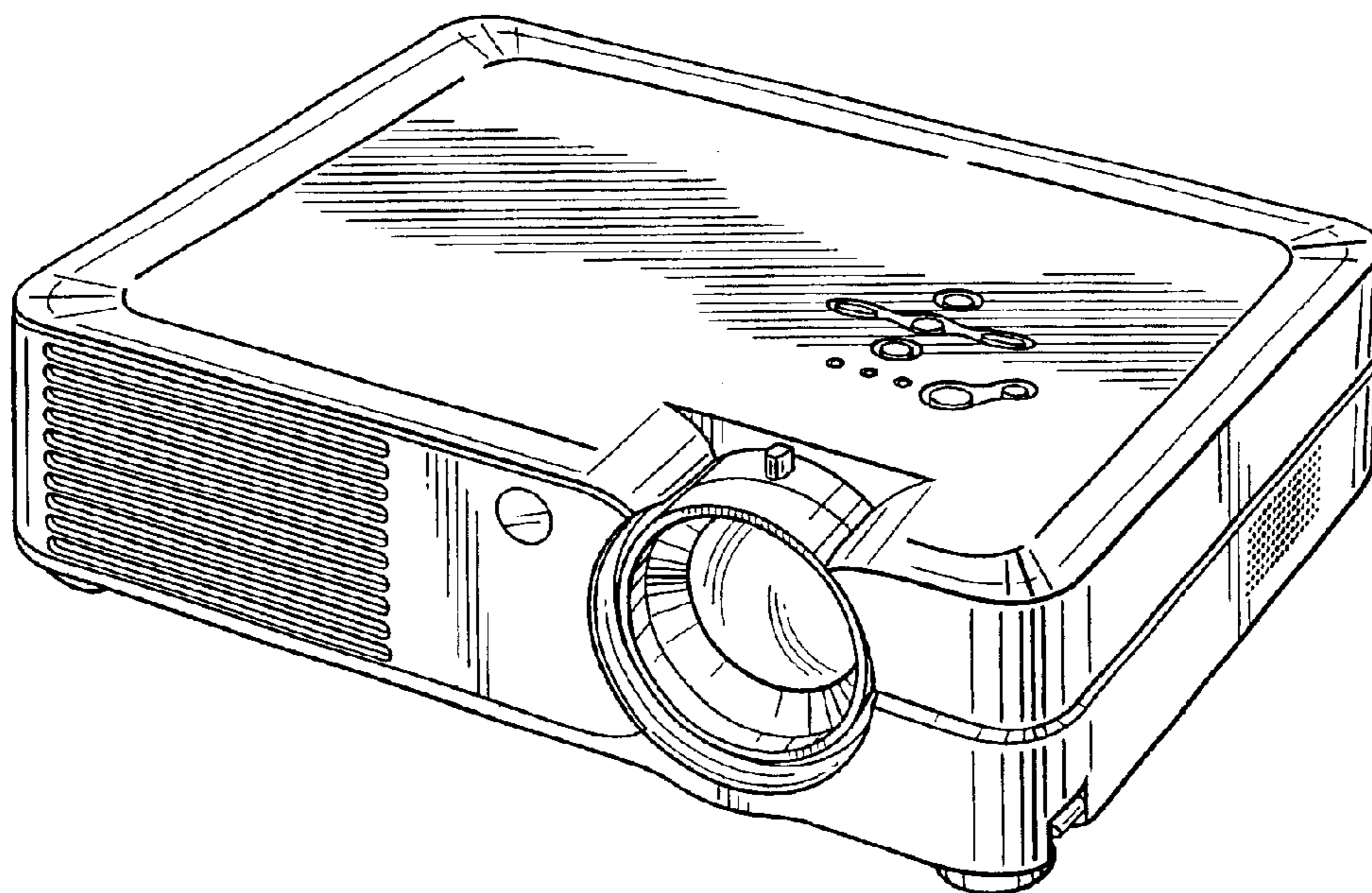
(57) **CLAIM**

The ornamental design for a video projector, as shown and described.

DESCRIPTION

FIG. 1 is a top, front and right side perspective view of a video projector according to our design; FIG. 2 is a front elevational view thereof; FIG. 3 is a rear elevational view thereof; FIG. 4 is a top plan view thereof; FIG. 5 is a bottom plan view thereof; FIG. 6 is a right side elevational view thereof; and, FIG. 7 is a left side elevational view thereof.

1 Claim, 5 Drawing Sheets



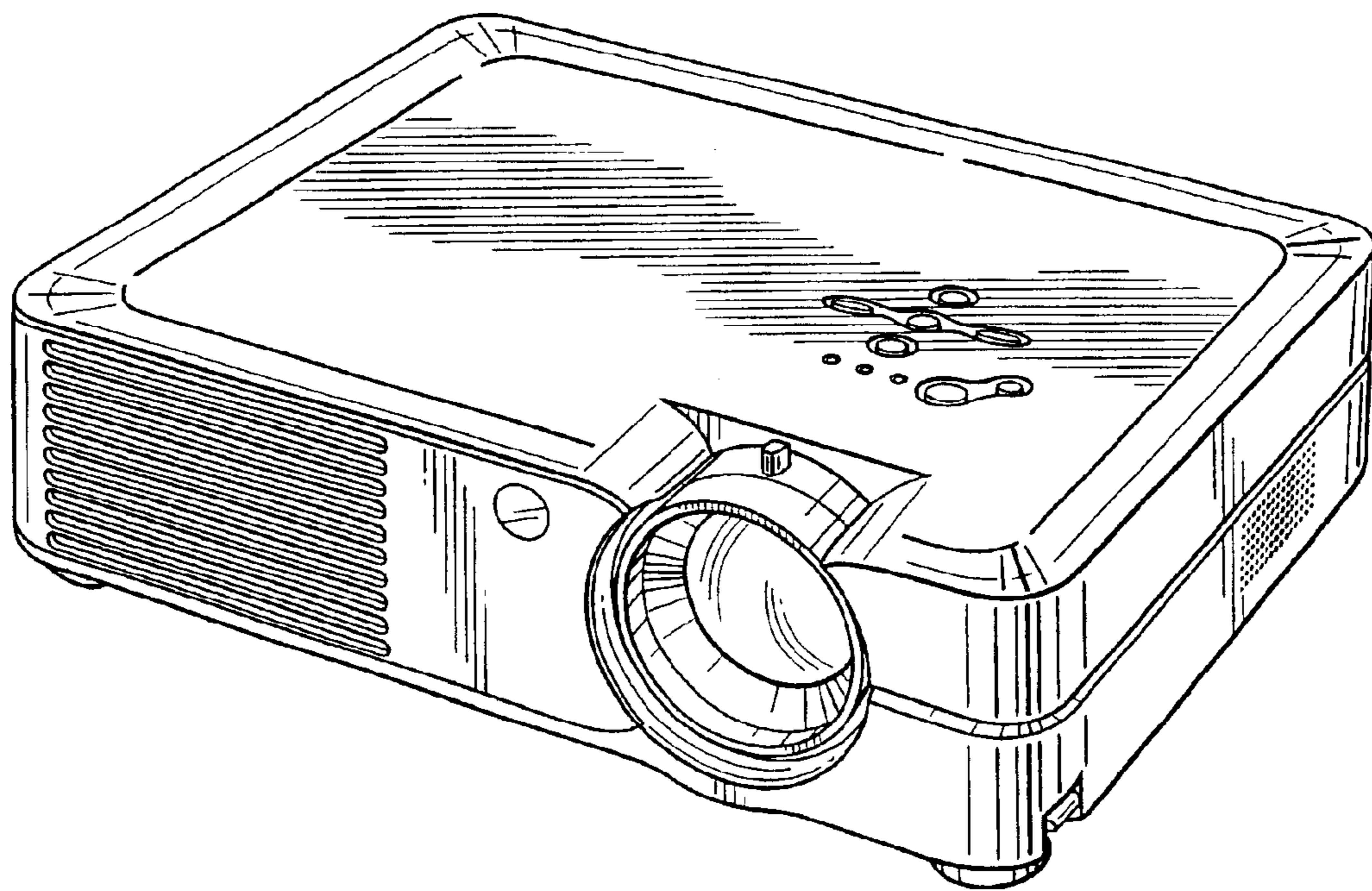


Fig. 1

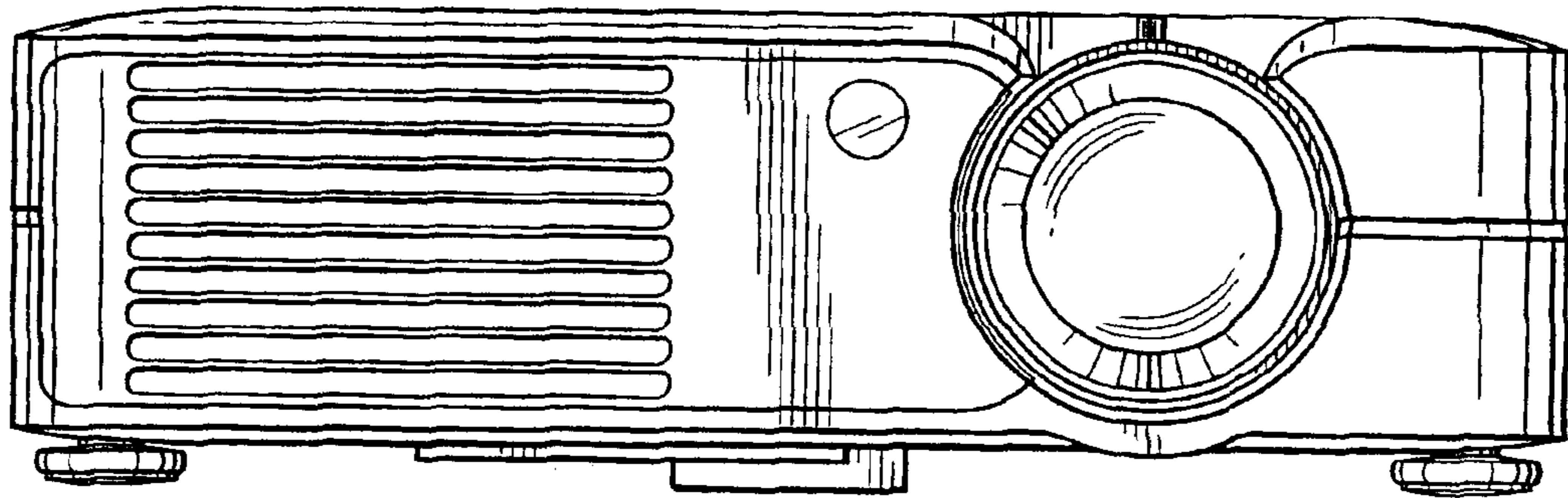


Fig. 2

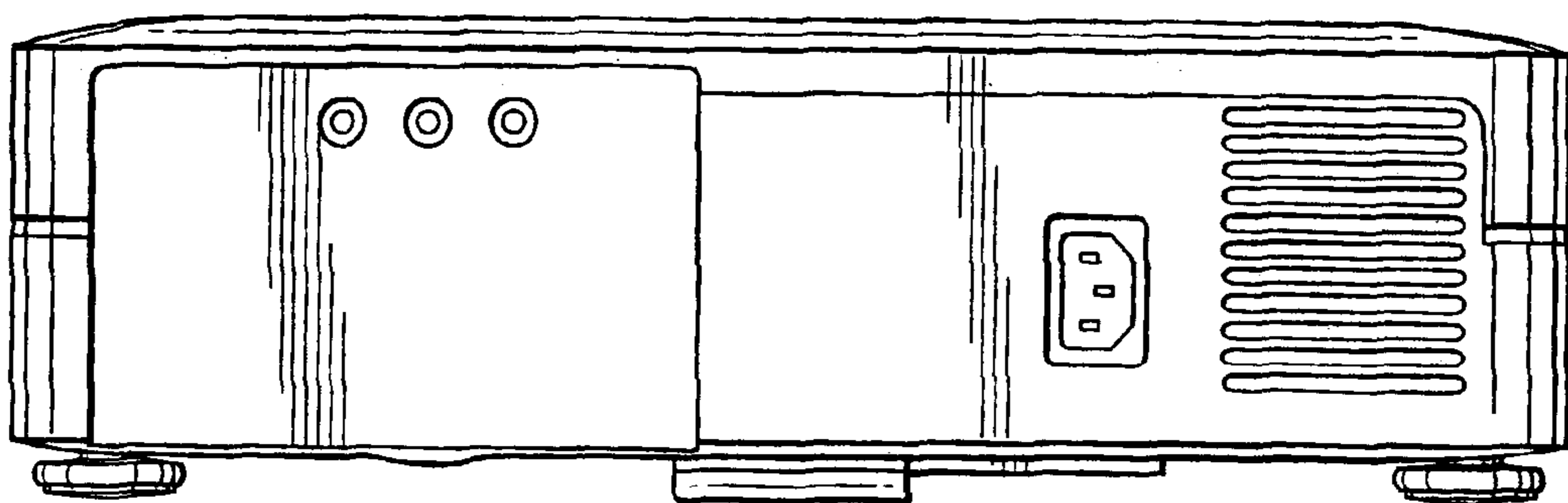


Fig. 3

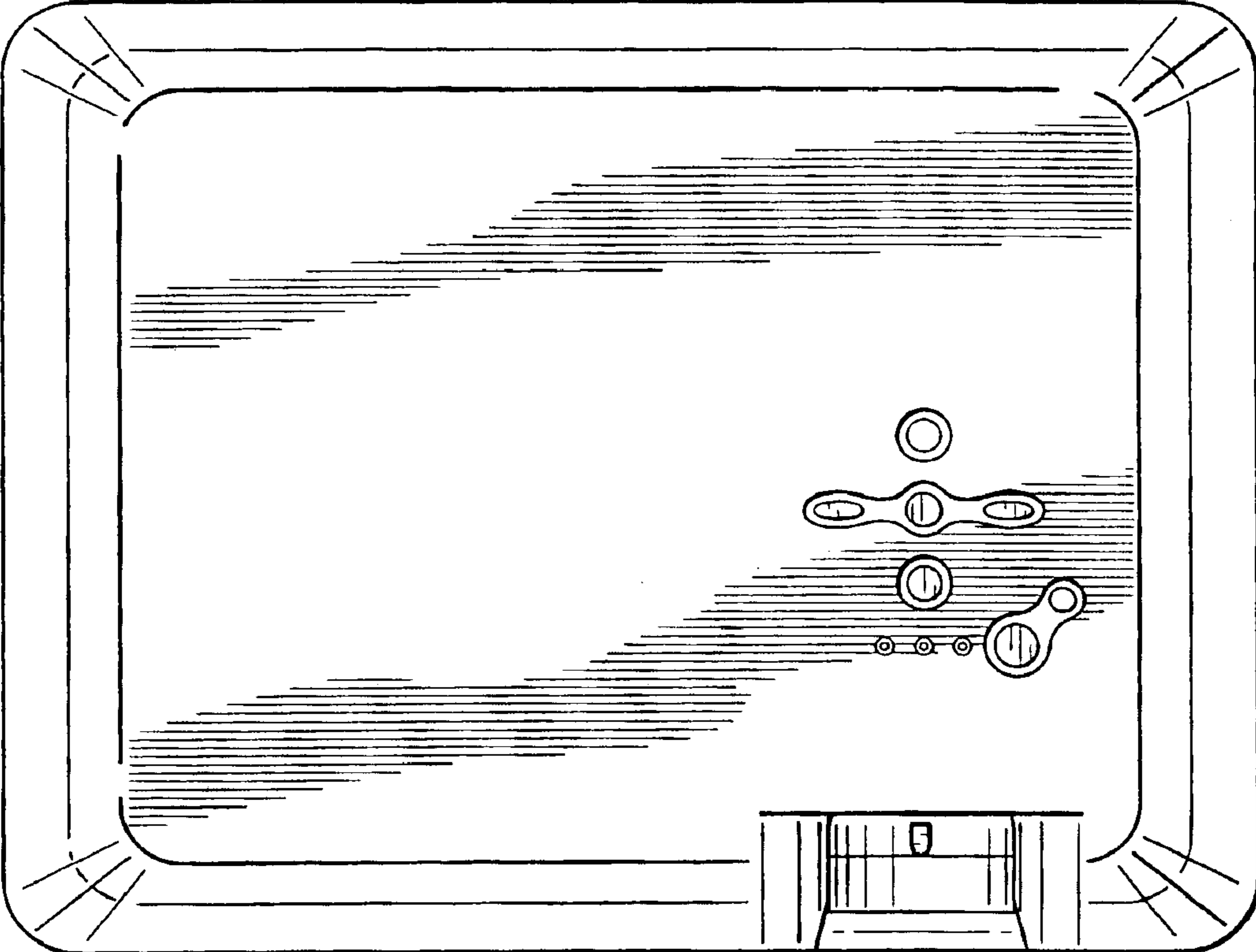


Fig. 4

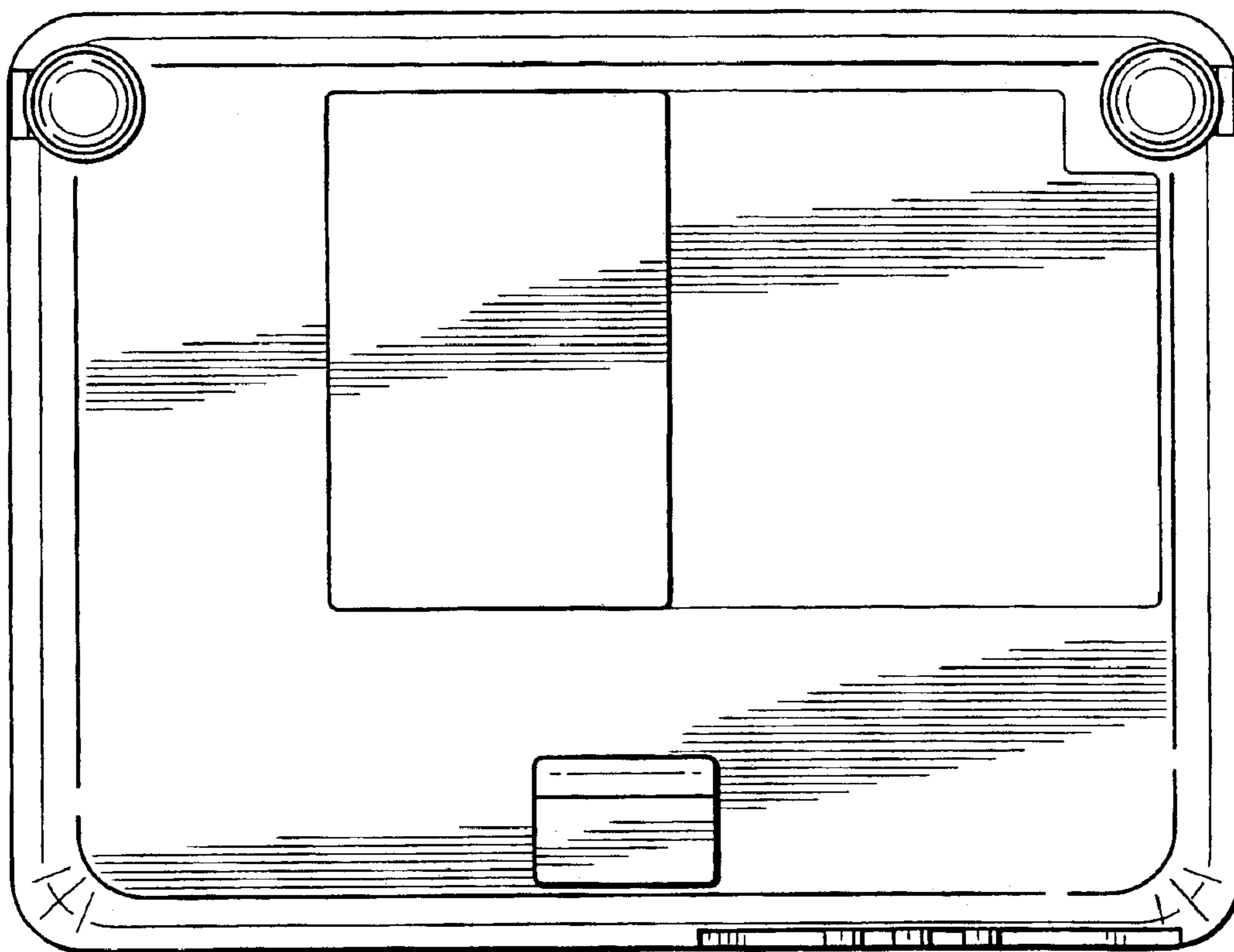


Fig. 5

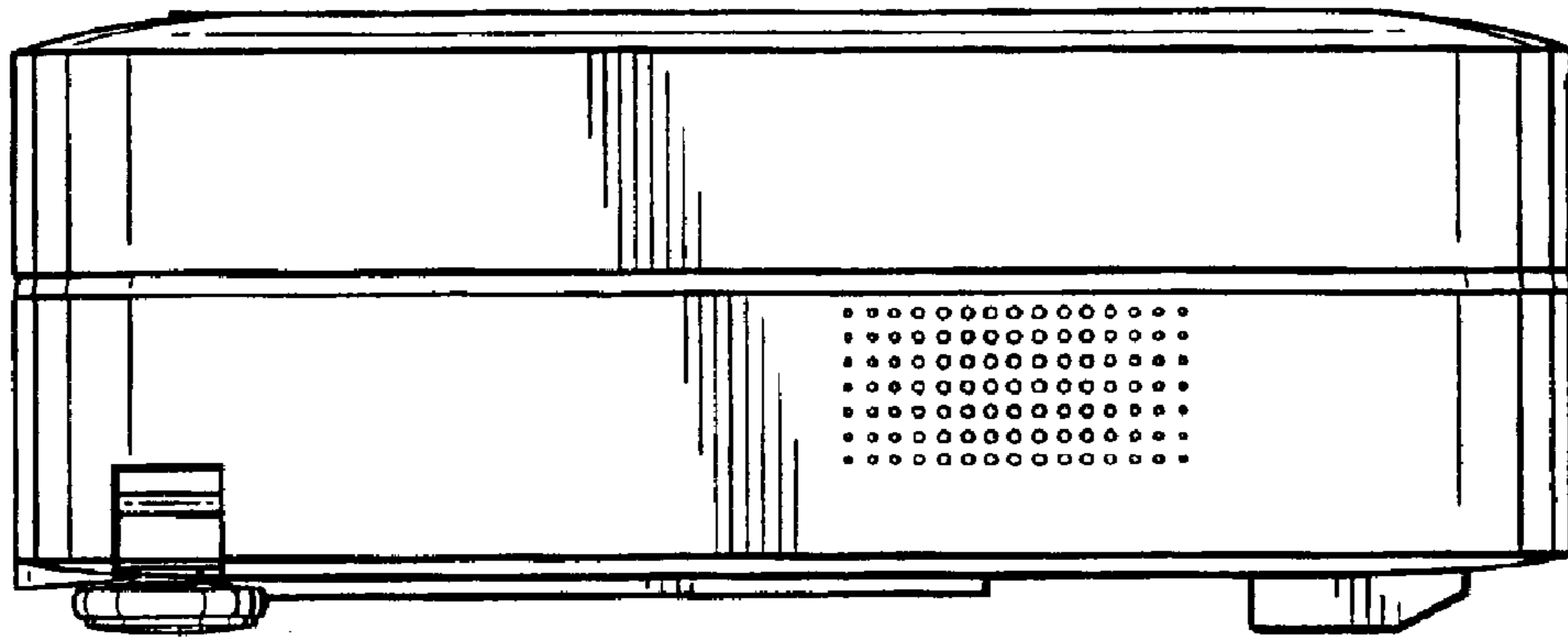


Fig. 6

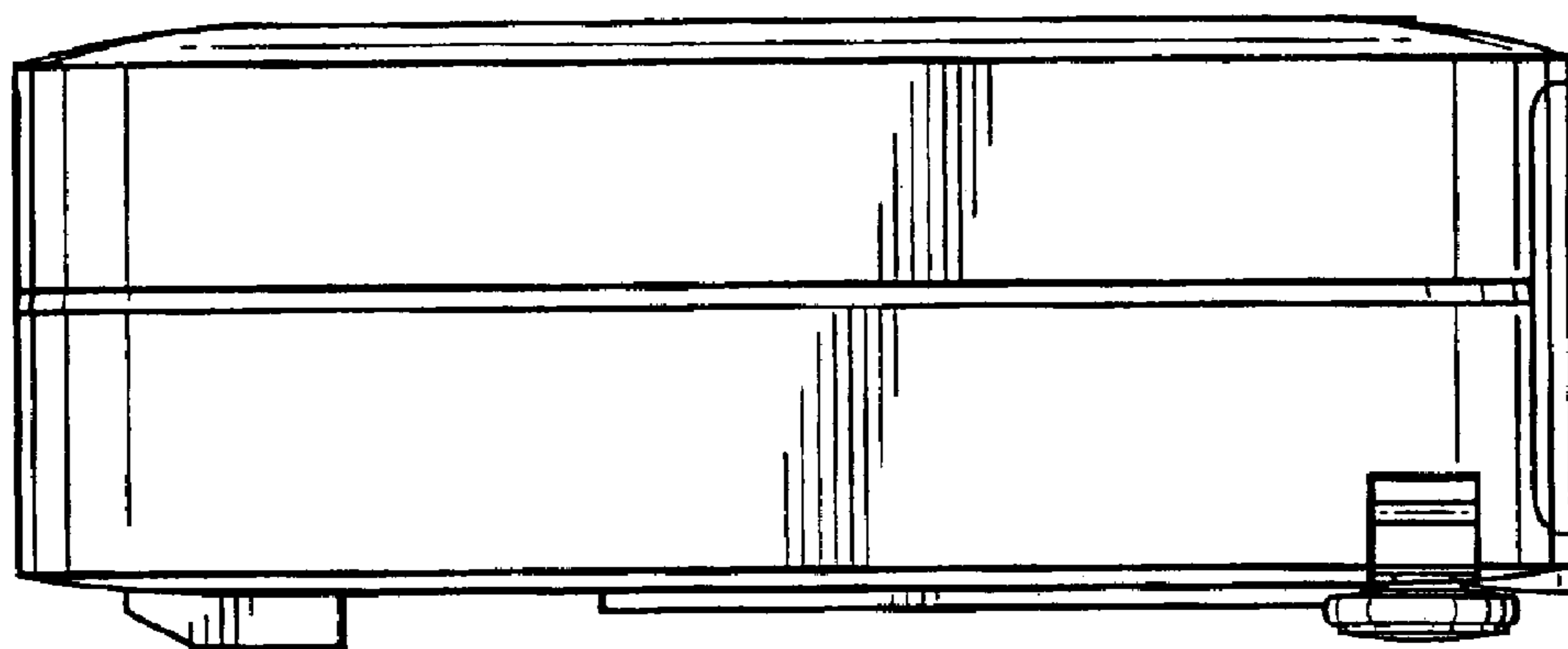


Fig. 7