

US00D506767S

(12) **United States Design Patent**
Imai

(10) **Patent No.:** **US D506,767 S**
(45) **Date of Patent:** **** Jun. 28, 2005**

(54) **ELECTRONIC CAMERA**

(75) Inventor: **Masazumi Imai**, Tokyo (JP)

(73) Assignee: **Fuji Photo Film Co., Ltd.**, Kanagawa (JP)

(**) Term: **14 Years**

(21) Appl. No.: **29/205,736**

(22) Filed: **May 20, 2004**

(30) **Foreign Application Priority Data**

Nov. 20, 2003 (JP) 2003-034672

(51) **LOC (8) Cl.** **16-01**

(52) **U.S. Cl.** **D16/202; D16/200**

(58) **Field of Search** D16/200-204,
D16/208, 218; 348/373-376; 358/906, 909.1;
396/535-541

(56) **References Cited**

U.S. PATENT DOCUMENTS

D387,078 S * 12/1997 Akita D16/202
6,434,337 B1 * 8/2002 Misawa 358/909.1

D474,218 S * 5/2003 Nagayama D16/202
D484,902 S * 1/2004 Baba D16/202
D494,201 S * 8/2004 Chen D16/202
D494,203 S * 8/2004 Yoo D16/202

* cited by examiner

Primary Examiner—Adir Aronovich

(74) *Attorney, Agent, or Firm*—Young & Thompson

(57) **CLAIM**

The ornamental design for an electronic camera, as shown.

DESCRIPTION

FIG. 1 is a top, front and side perspective view of an electronic camera showing my new design; FIG. 2 is a front elevational view thereof; FIG. 3 is a rear elevational view thereof; FIG. 4 is a top plan view thereof; FIG. 5 is a bottom plan view thereof; and FIG. 6 is a side elevational view thereof from the left of FIG. 2; and, FIG. 7 is a side elevational view thereof from the right of FIG. 2.

1 Claim, 4 Drawing Sheets

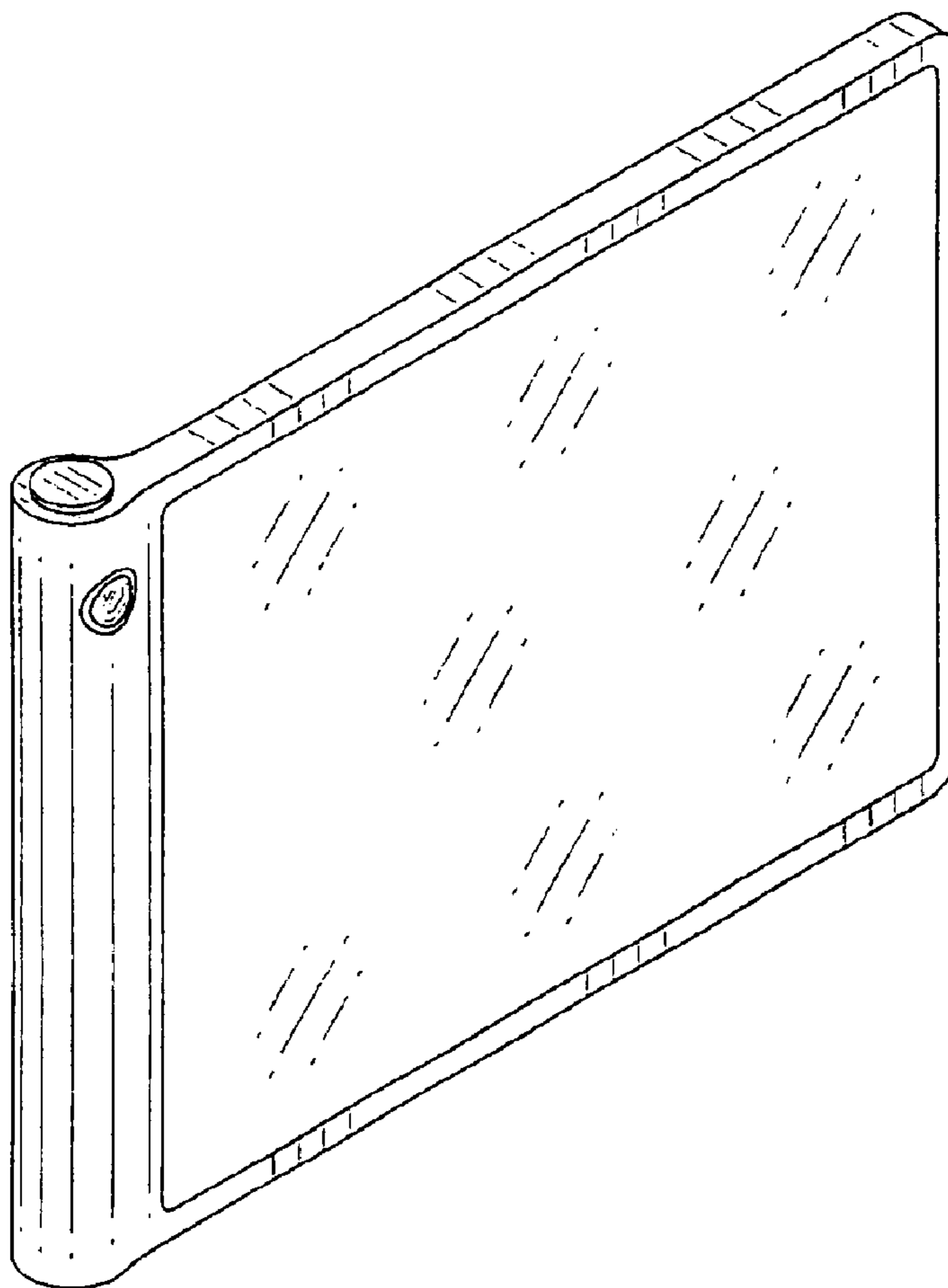


FIG. 1

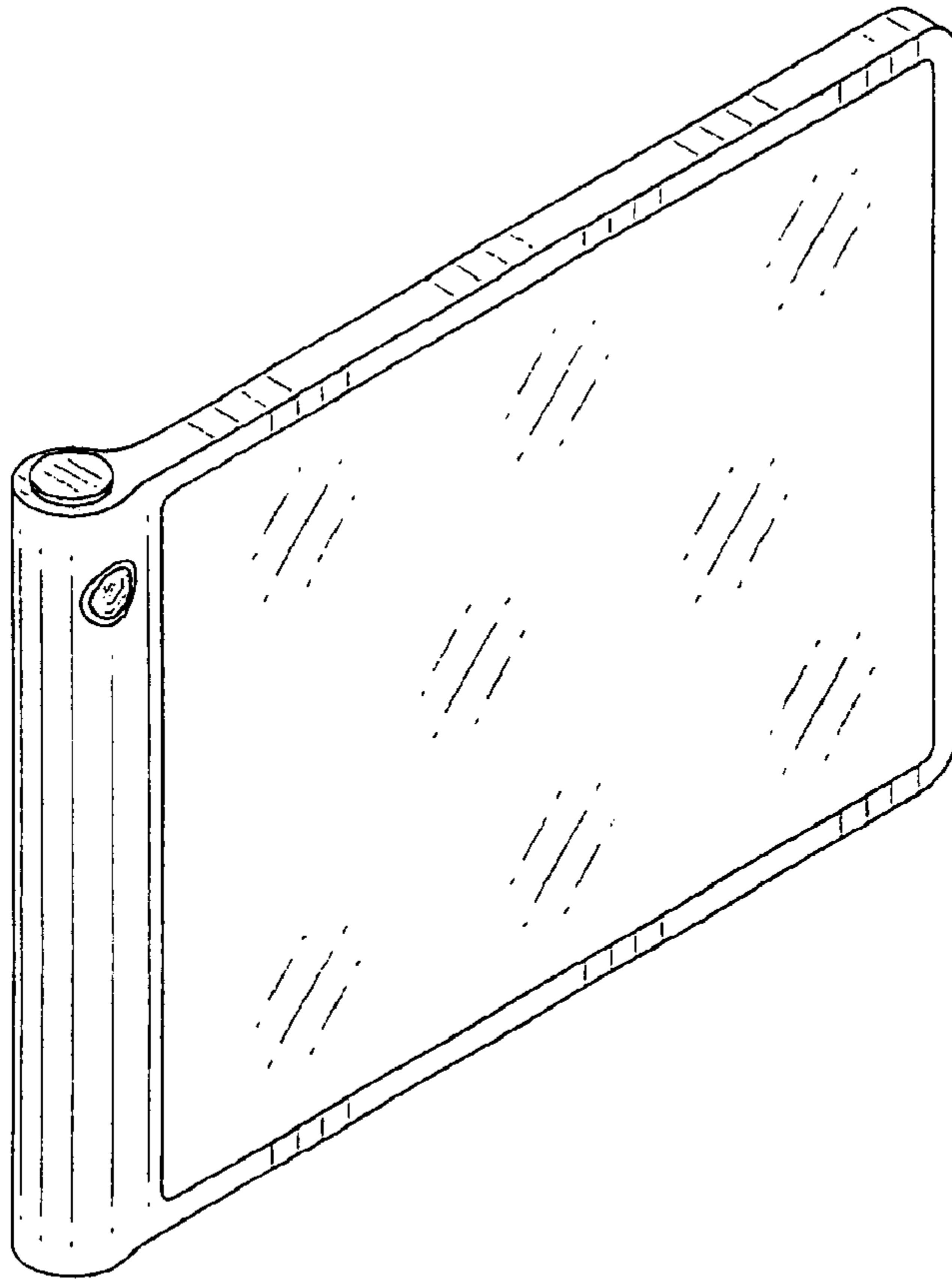


FIG. 2

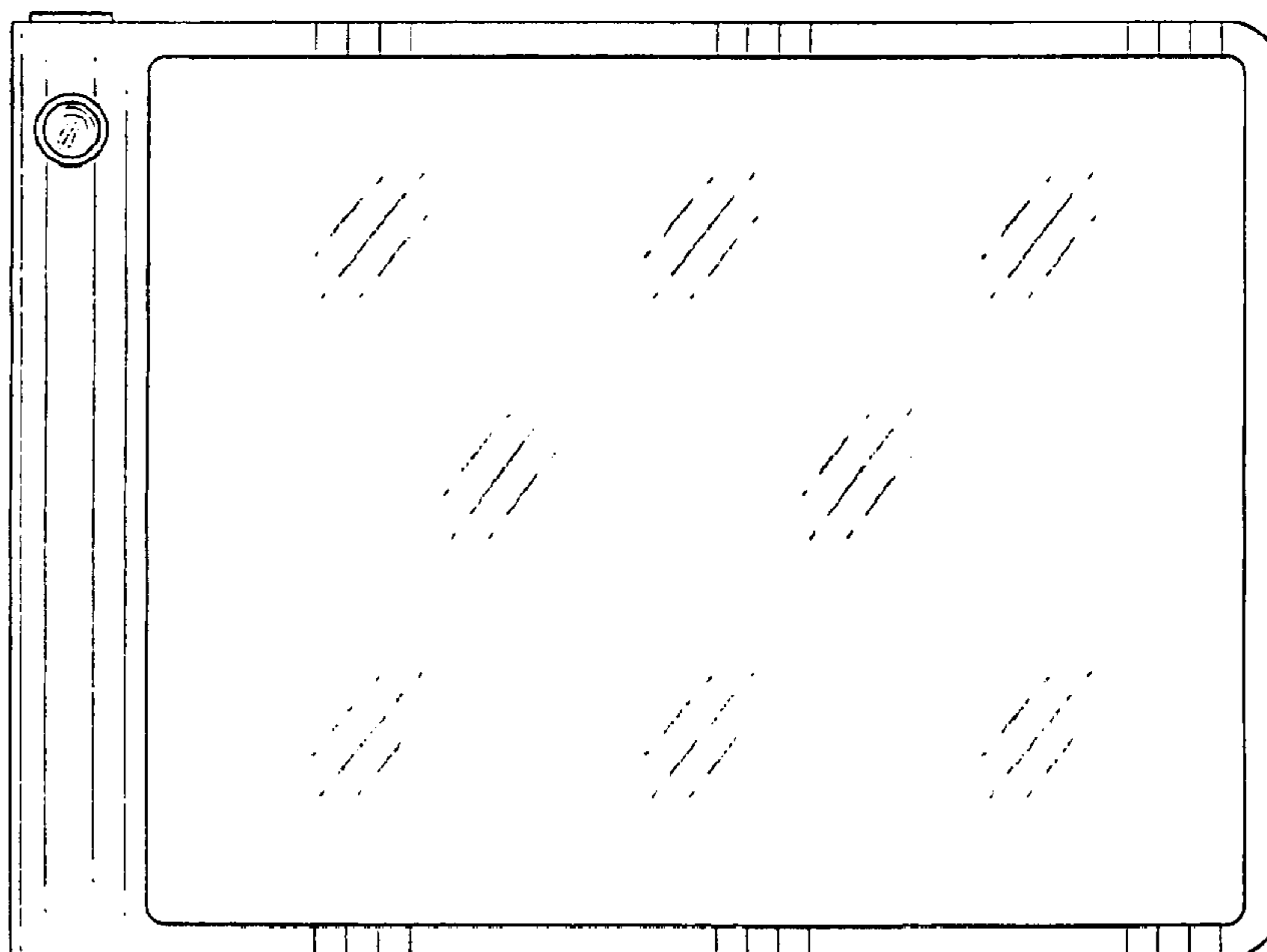


FIG.3

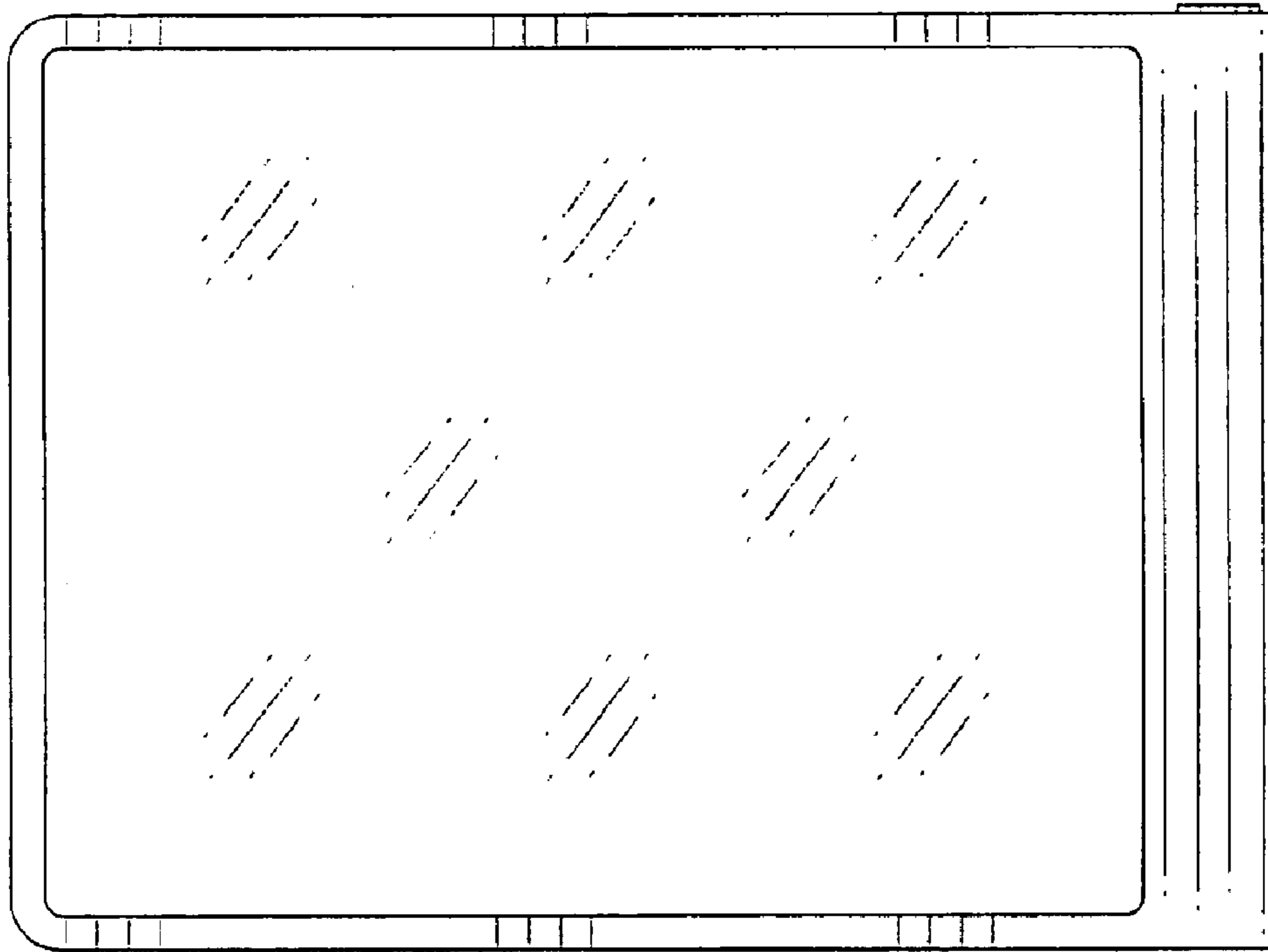


FIG.4

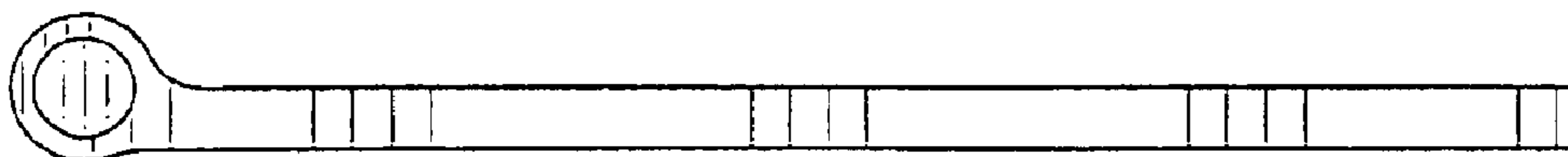


FIG. 5

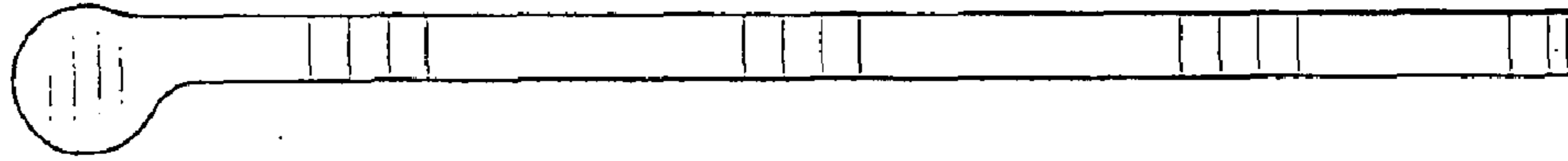


FIG. 6



FIG. 7

