

US00D506766S

(12) **United States Design Patent**  
**Yeung**

(10) **Patent No.:** **US D506,766 S**  
(45) **Date of Patent:** **\*\* Jun. 28, 2005**

(54) **TELESCOPE**

(75) **Inventor:** **Wa-Sang Yeung, Kowloon (CN)**

(73) **Assignee:** **Eastcolight (Hong Kong) Limited,**  
**Hong Kong (CN)**

(\*\*) **Term:** **14 Years**

(21) **Appl. No.:** **29/210,266**

(22) **Filed:** **Jul. 27, 2004**

(51) **LOC (8) Cl.** ..... **16-06**

(52) **U.S. Cl.** ..... **D16/132**

(58) **Field of Search** ..... **D16/130, 132;**  
**359/363, 364, 399, 430; 356/401; 33/281,**  
**268**

(56) **References Cited**

**U.S. PATENT DOCUMENTS**

2,212,346	A	*	8/1940	Kroon	.....	359/430
D175,388	S	*	8/1955	Brayner	.....	D16/132
3,324,758	A	*	6/1967	Rogers, Jr.	.....	356/401
3,840,284	A	*	10/1974	Rand	.....	359/430
3,942,865	A	*	3/1976	Rand	.....	359/430

3,951,511	A	*	4/1976	Parsons	.....	359/430
D253,476	S	*	11/1979	Schneck et al.	.....	D16/132
D265,482	S	*	7/1982	Bressler	.....	D16/132
D268,768	S	*	4/1983	Melsheimer et al.	.....	D16/132
4,400,066	A	*	8/1983	Byers	.....	359/430
D392,657	S	*	3/1998	Diebel et al.	.....	D16/132

\* cited by examiner

*Primary Examiner*—Paula A. Greene

(74) *Attorney, Agent, or Firm*—Alix, Yale & Ristas, LLP

(57) **CLAIM**

The ornamental design for a telescope, as shown and described.

**DESCRIPTION**

FIG. 1 is a right side elevational view of a telescope showing my new design;

FIG. 2 is a left side elevational view thereof;

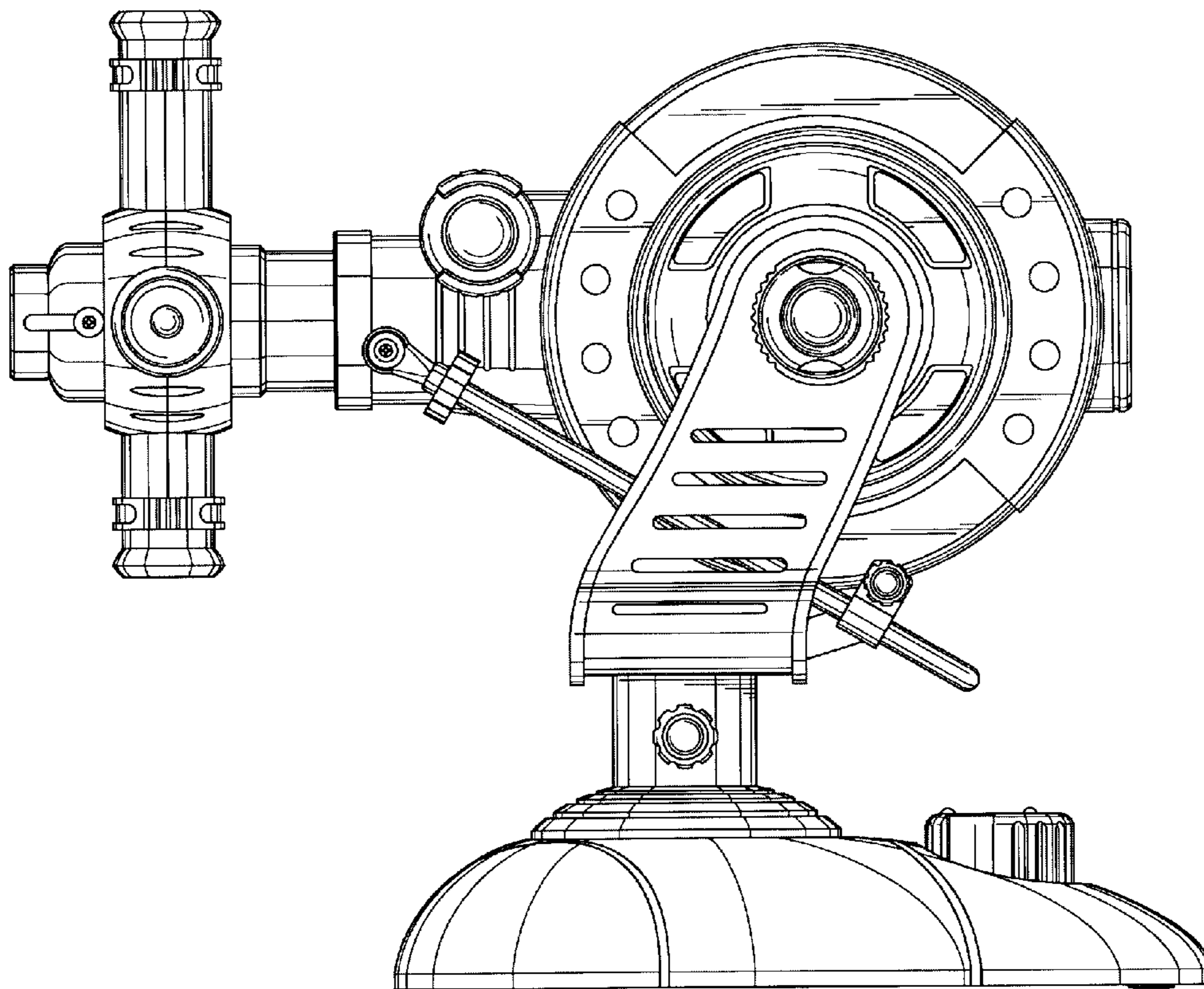
FIG. 3 is a rear elevational view thereof;

FIG. 4 is a front elevational view thereof;

FIG. 5 is a top plan view thereof; and,

FIG. 6 is a bottom plan view thereof.

**1 Claim, 5 Drawing Sheets**



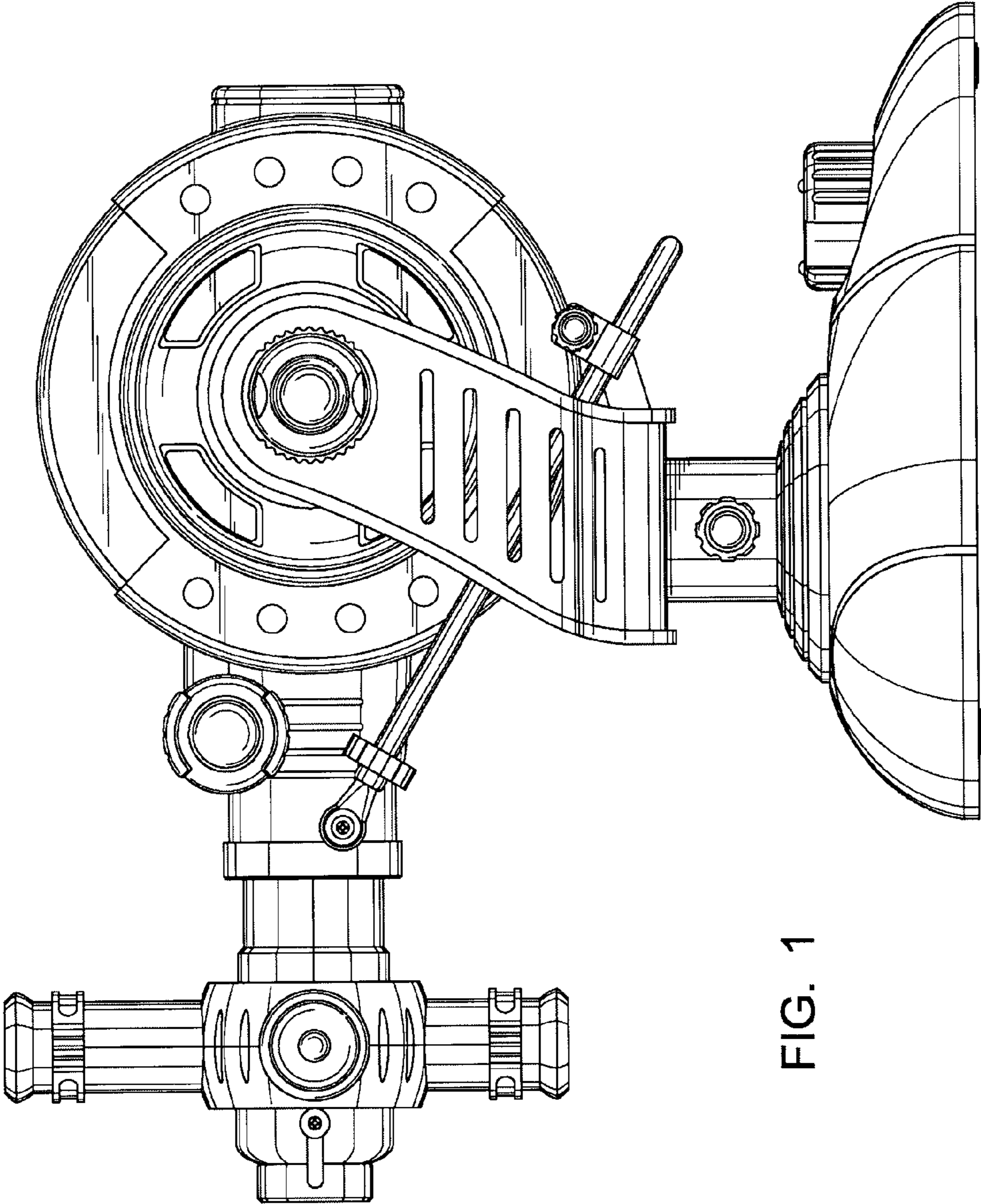


FIG. 1

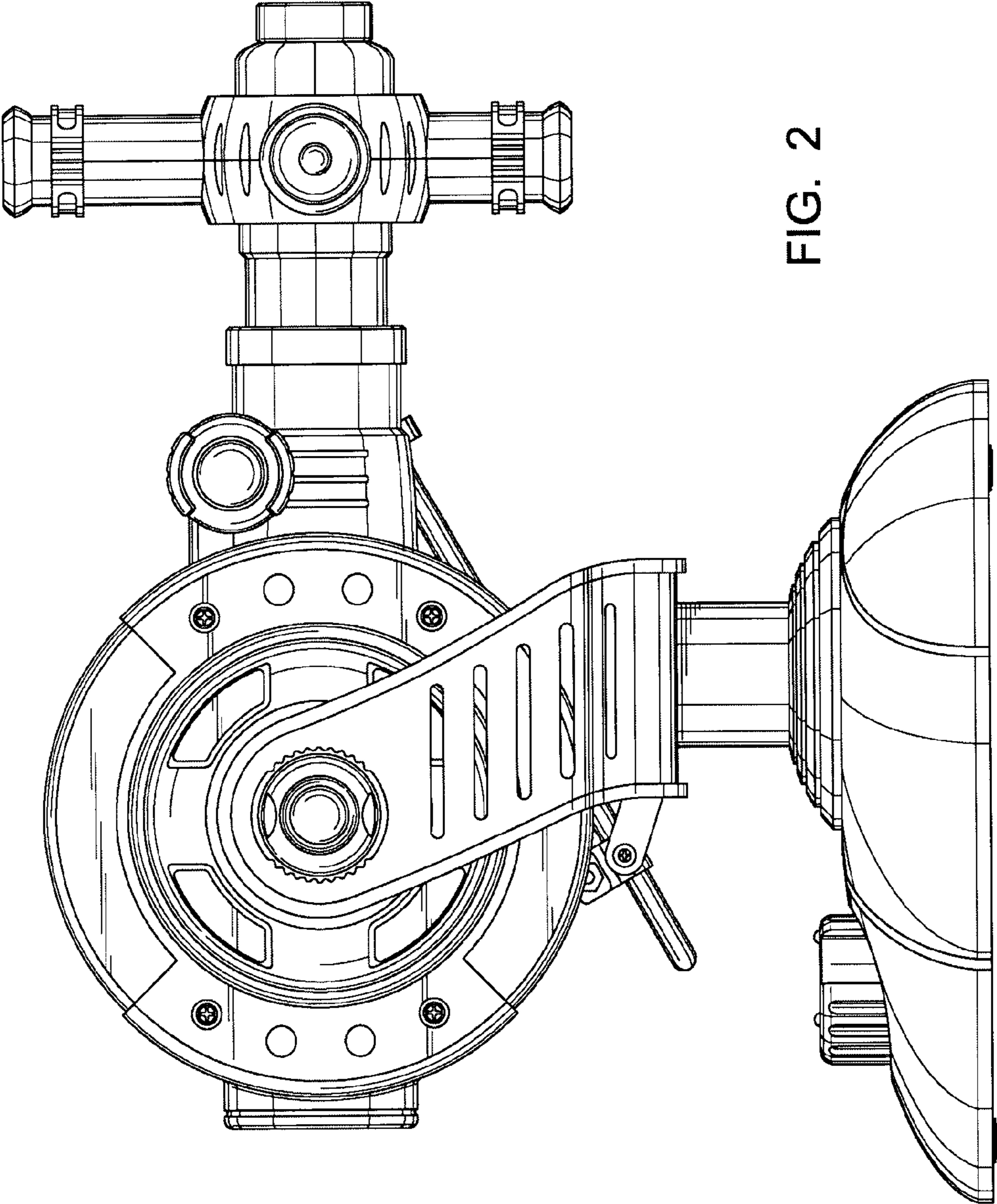


FIG. 2

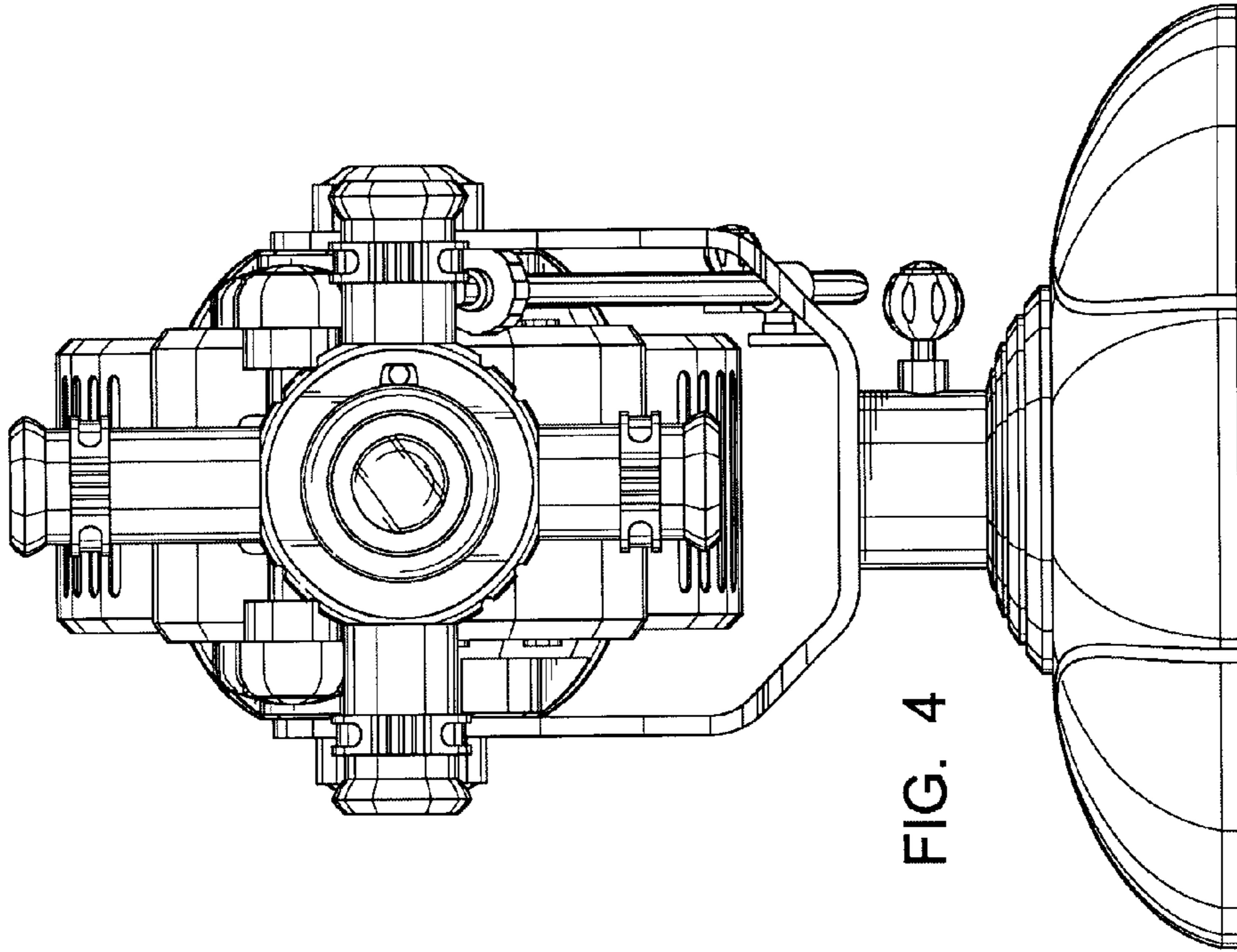


FIG. 4

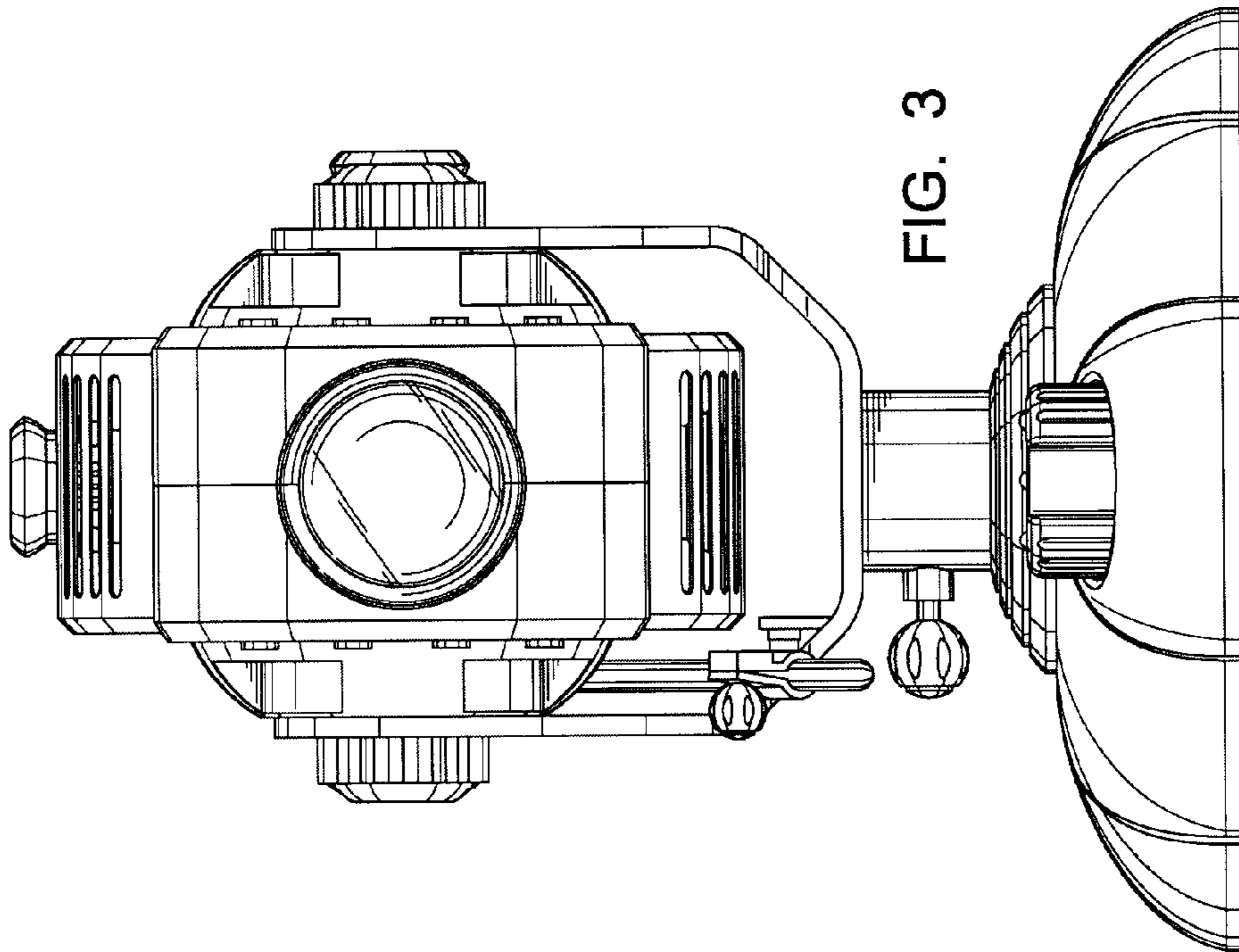


FIG. 3

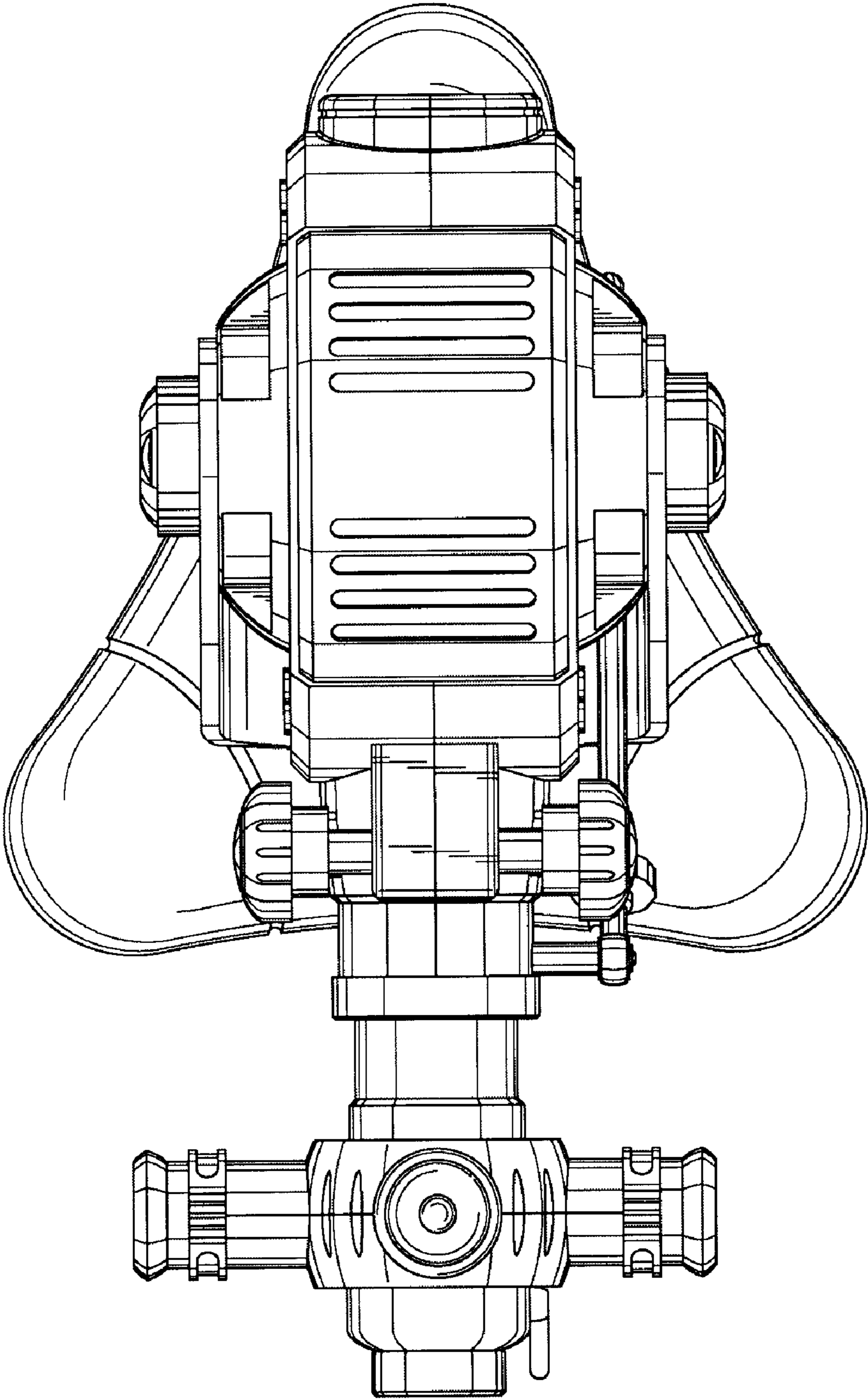


FIG. 5

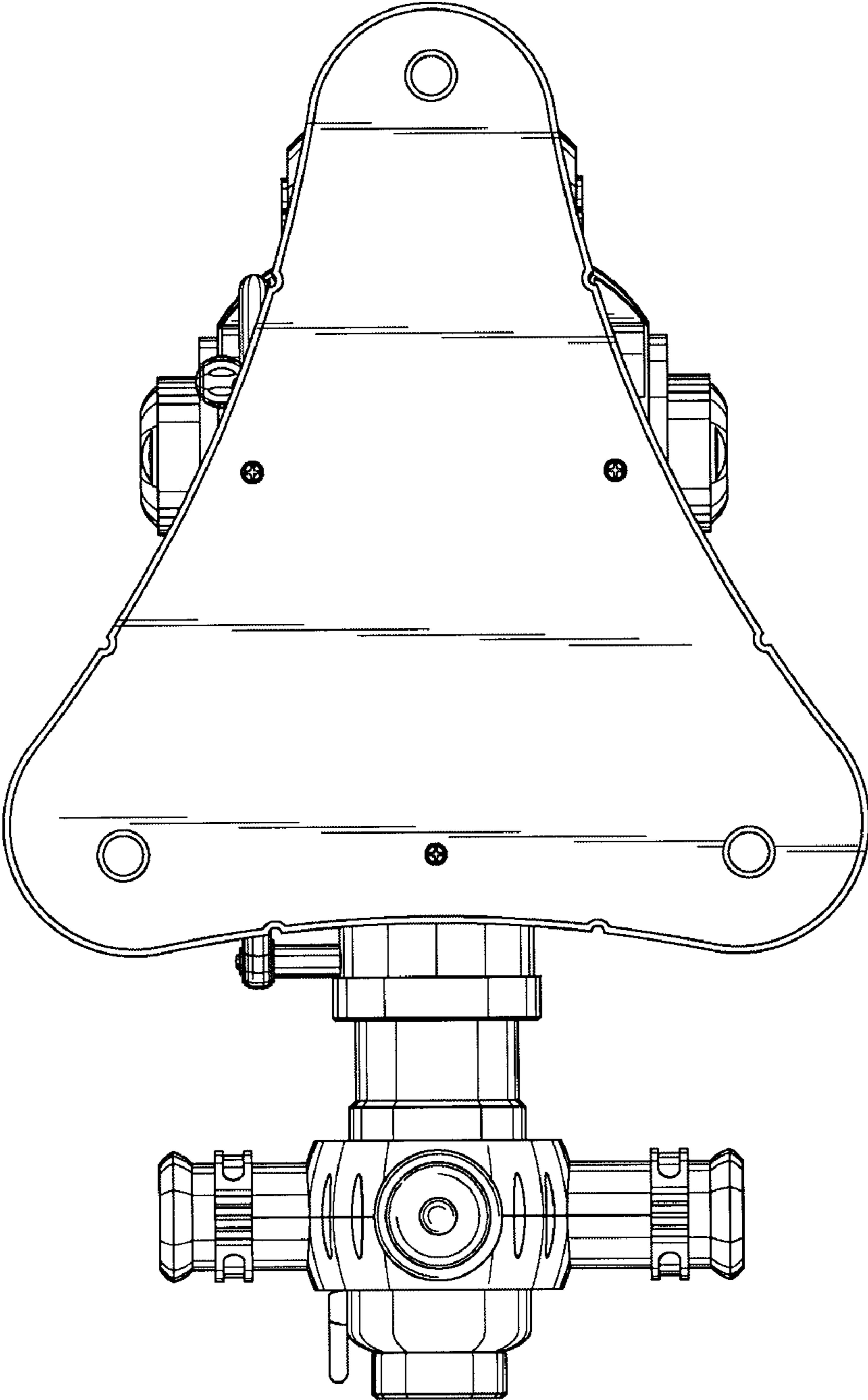


FIG. 6