

US00D506764S

(12) **United States Design Patent**
Kuraoka et al.

(10) **Patent No.:** **US D506,764 S**
(45) **Date of Patent:** **** Jun. 28, 2005**

(54) **NOZZLE FOR A PLASMA ARC TORCH**

(75) **Inventors:** **Kazuhiro Kuraoka, Komatsu (JP);**
Yoshihiro Yamaguchi, Komatsu (JP)

(73) **Assignee:** **Komatsu Industries Corporation,**
Tokyo (JP)

(**) **Term:** **14 Years**

(21) **Appl. No.:** **29/179,394**

(22) **Filed:** **Apr. 10, 2003**

(51) **LOC (8) Cl. 15-09**

(52) **U.S. Cl. D15/144**

(58) **Field of Search D15/144, 144.1,**
D15/144.2; 219/121.4-121.5

(56) **References Cited**

U.S. PATENT DOCUMENTS

D407,726 S * 4/1999 Zigliotto D15/144

* cited by examiner

Primary Examiner—Antoine D. Davis

(74) *Attorney, Agent, or Firm*—Manabu Kanesaka

(57) **CLAIM**

The ornamental design for a nozzle for a plasma arc torch,
as shown and described.

DESCRIPTION

FIG. 1 is a perspective view of a nozzle for a plasma arc
torch showing our new design;

FIG. 2 is a front view thereof;

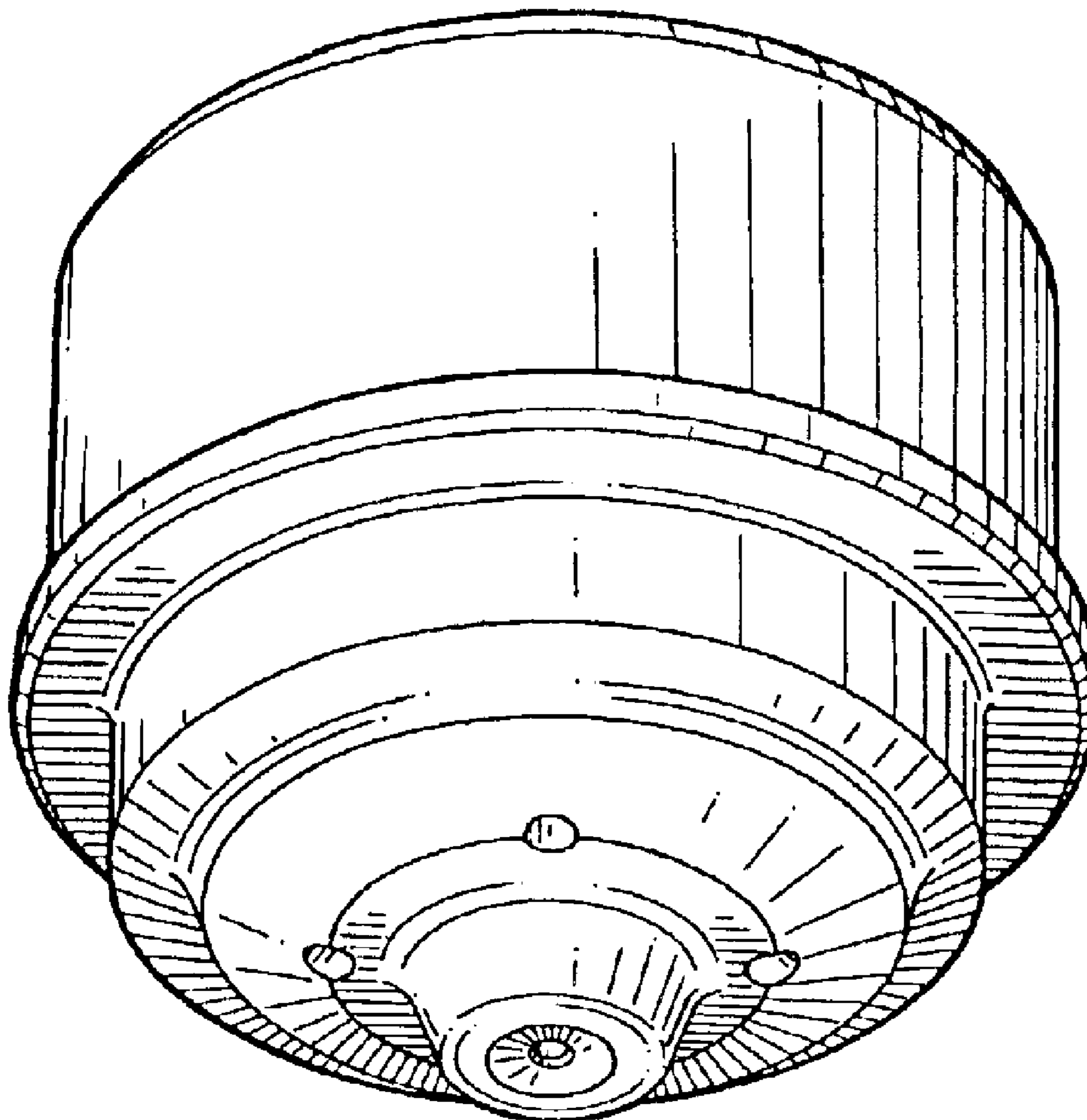
FIG. 3 is a right side view thereof;

FIG. 4 is a plan view thereof;

FIG. 5 is a bottom view thereof; and,

FIG. 6 is a sectional view thereof taken along line 6—6 in
FIG. 2.

1 Claim, 3 Drawing Sheets



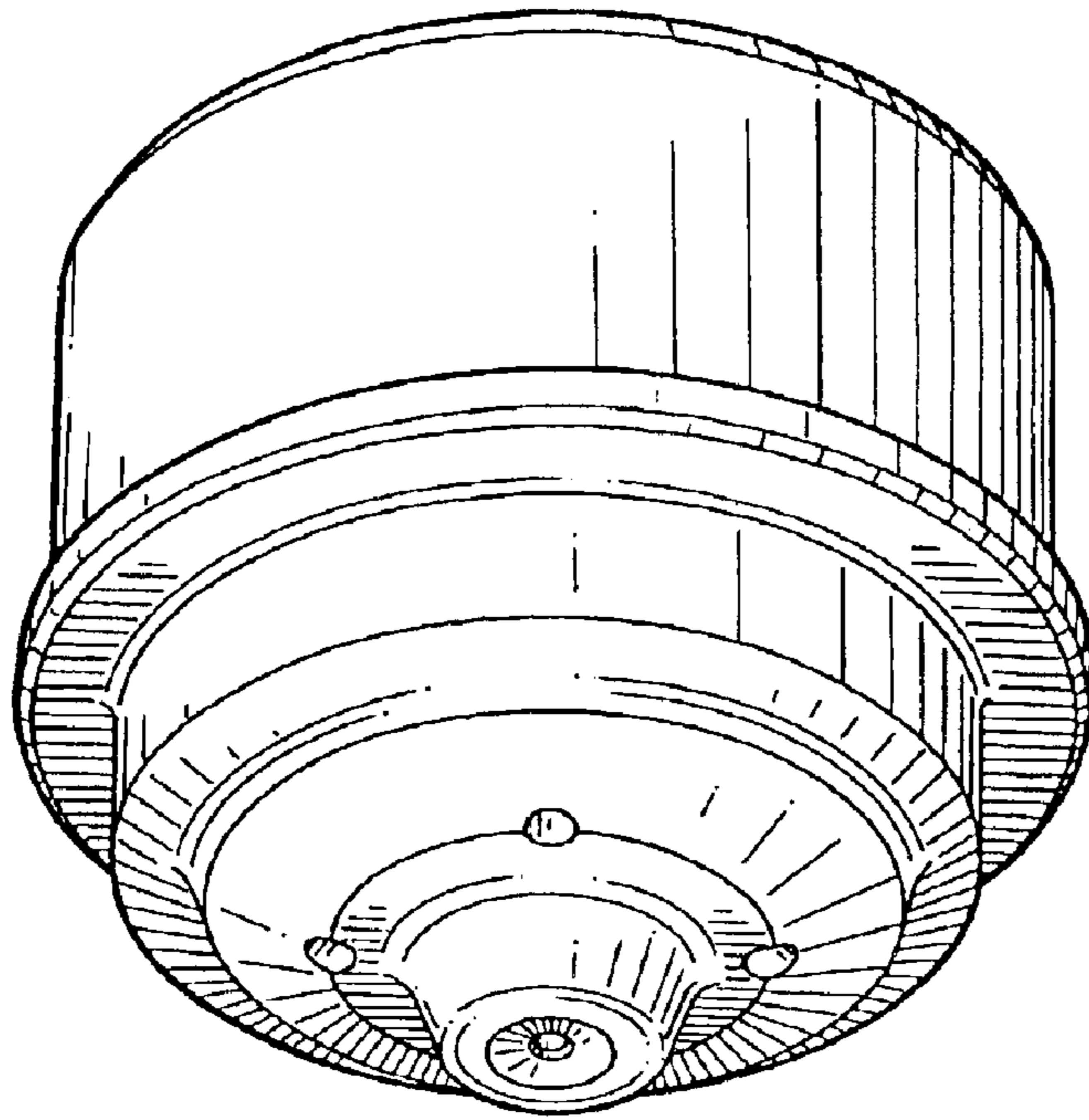


FIG. 1

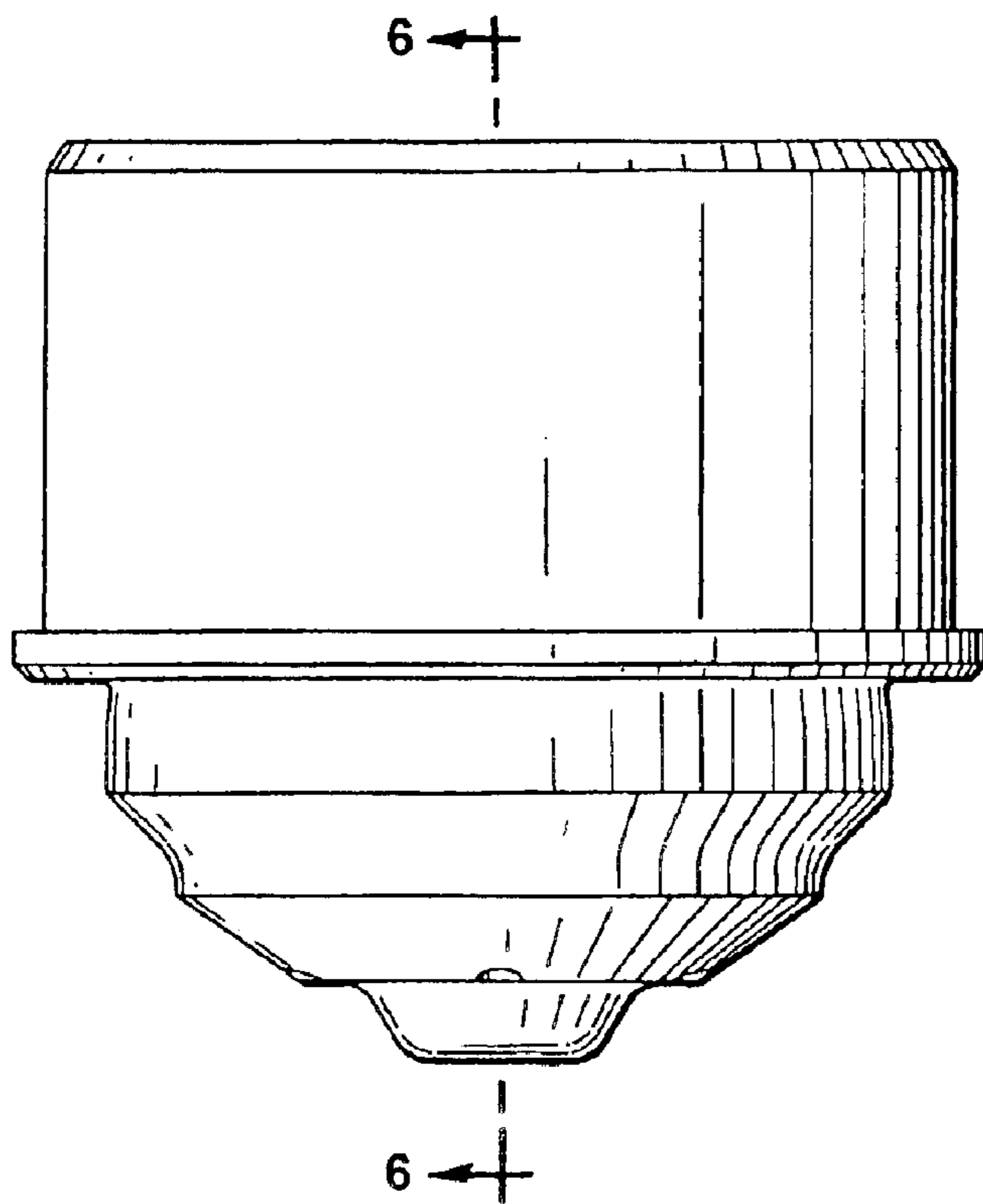


FIG. 2

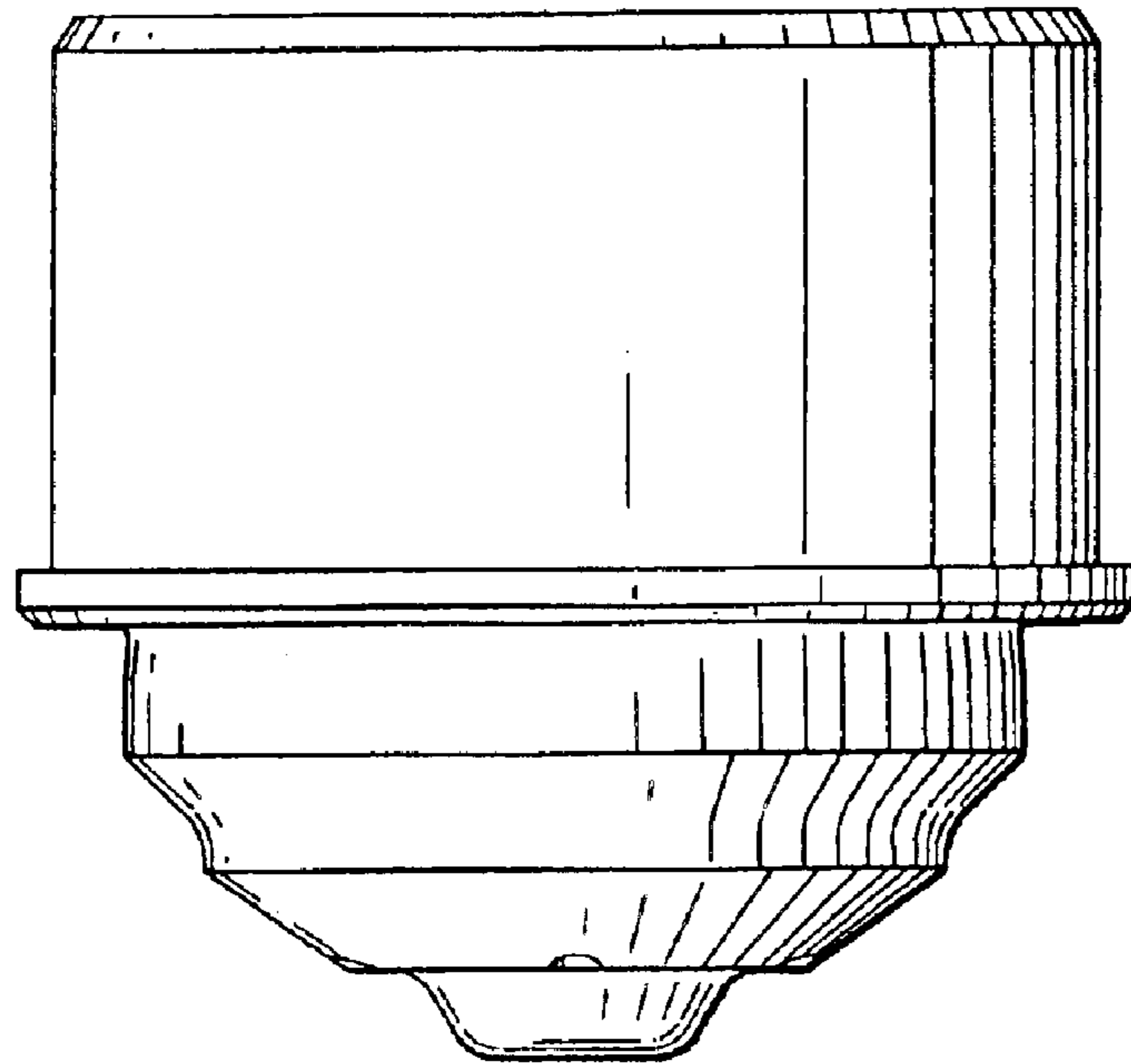


FIG. 3

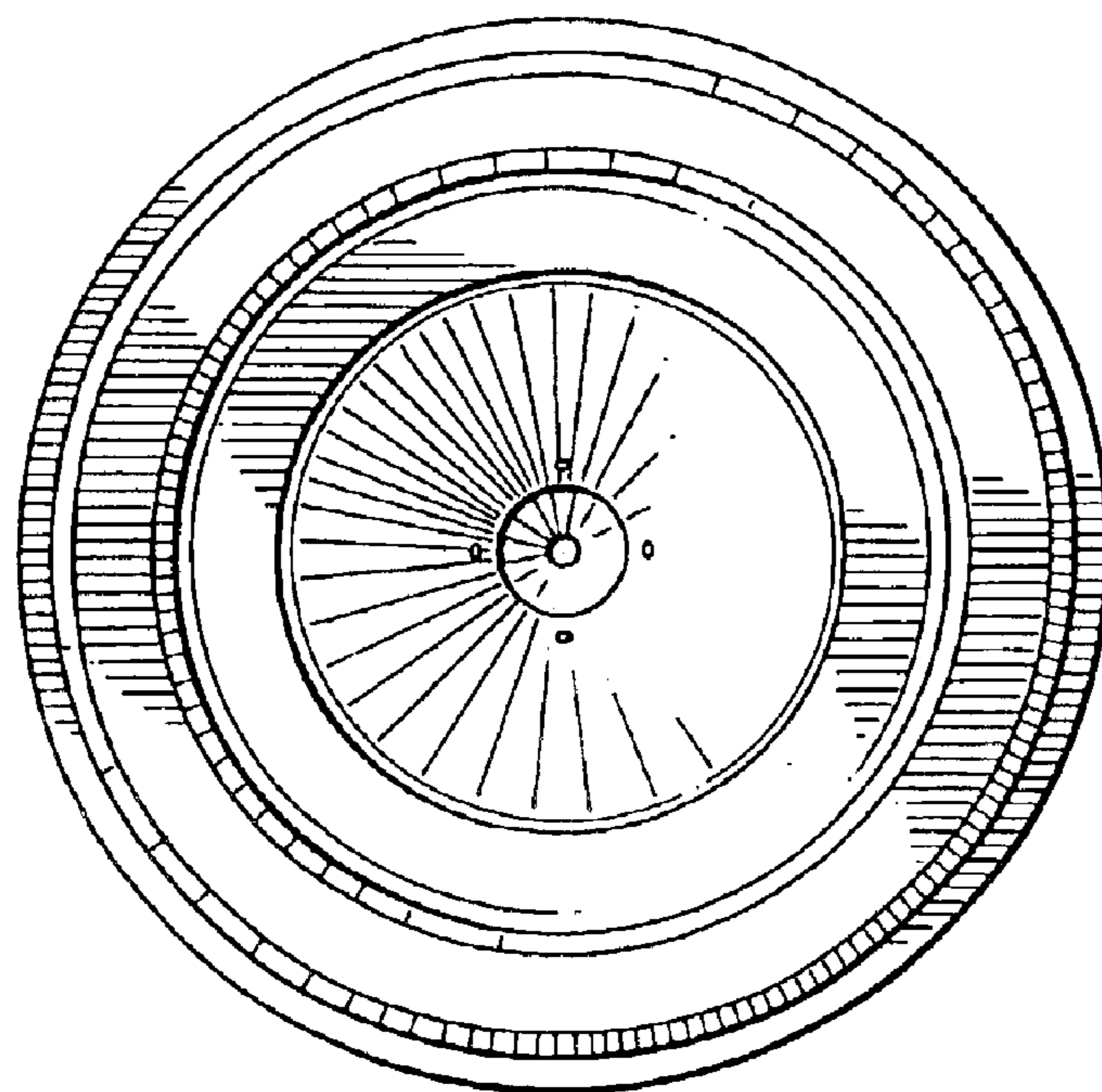


FIG. 4

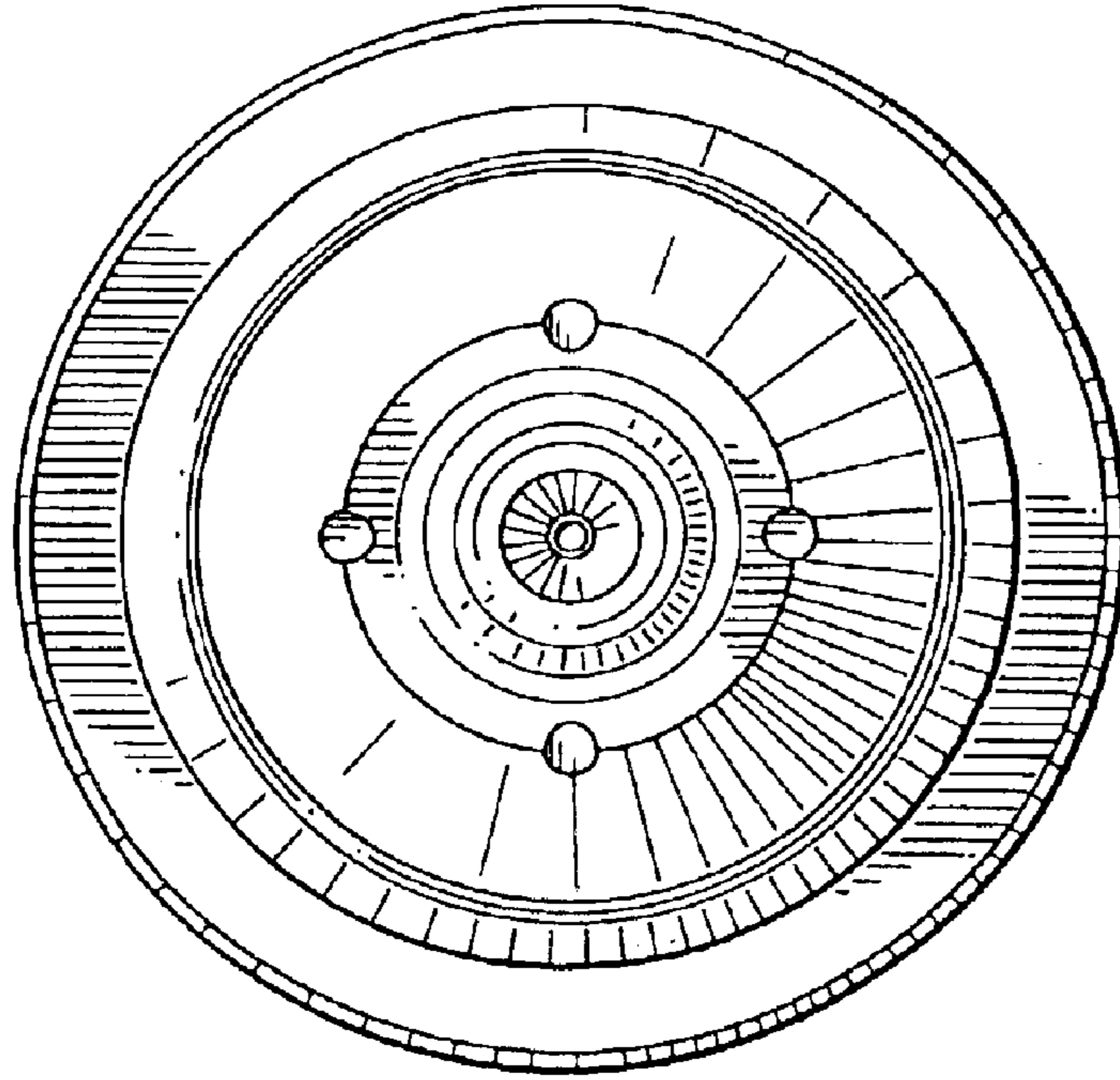


FIG. 5

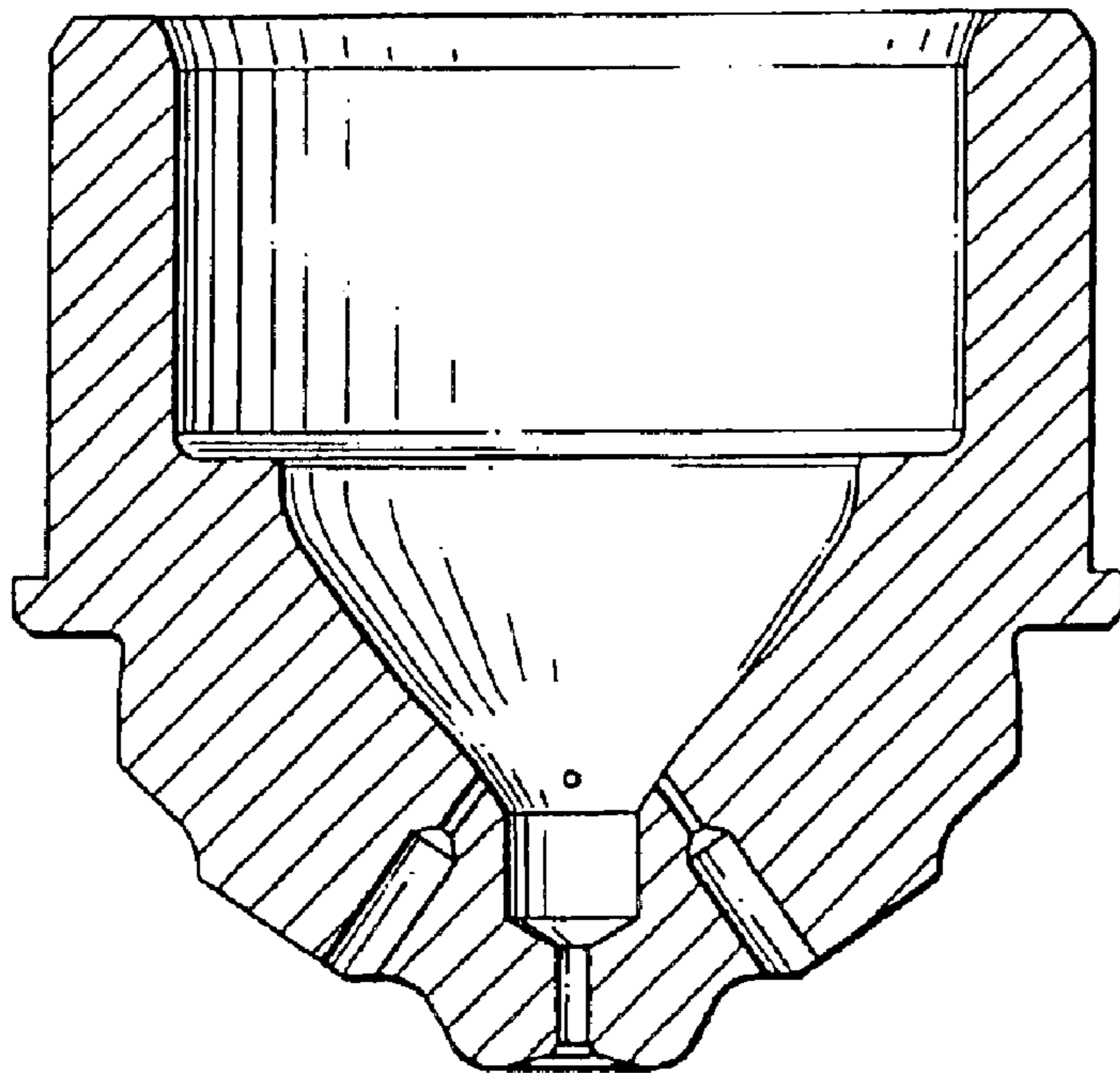


FIG. 6