

US00D506763S

(12) **United States Design Patent**  
**Chu**

(10) **Patent No.:** **US D506,763 S**  
(45) **Date of Patent:** **\*\* Jun. 28, 2005**

(54) **CYLINDER HOUSING FOR AIR COMPRESSOR**

D361,574 S \* 8/1995 Makino ..... D15/7  
D363,073 S \* 10/1995 Makino ..... D15/7  
D363,493 S \* 10/1995 Makino ..... D15/7

(76) Inventor: **Henry C. Chu**, 133N. Lemon St.,  
Orange, CA (US) 92866

\* cited by examiner

(\*\*) Term: **14 Years**

*Primary Examiner*—Ralf Seifert  
(74) *Attorney, Agent, or Firm*—Charles E. Baxley

(21) Appl. No.: **29/210,162**

(57) **CLAIM**

(22) Filed: **Jul. 27, 2004**

The ornamental design for a cylinder housing for air compressor, as shown and described.

**Related U.S. Application Data**

**DESCRIPTION**

(63) Continuation-in-part of application No. 10/722,659, filed on Nov. 24, 2003.

(51) **LOC (8) Cl.** ..... **15-02**

(52) **U.S. Cl.** ..... **D15/9**

(58) **Field of Search** ..... D15/7-9; D23/231,  
D23/232; 417/410.4, 359, 415, 410.3, 234,  
229, 321, 265, 405; 210/220

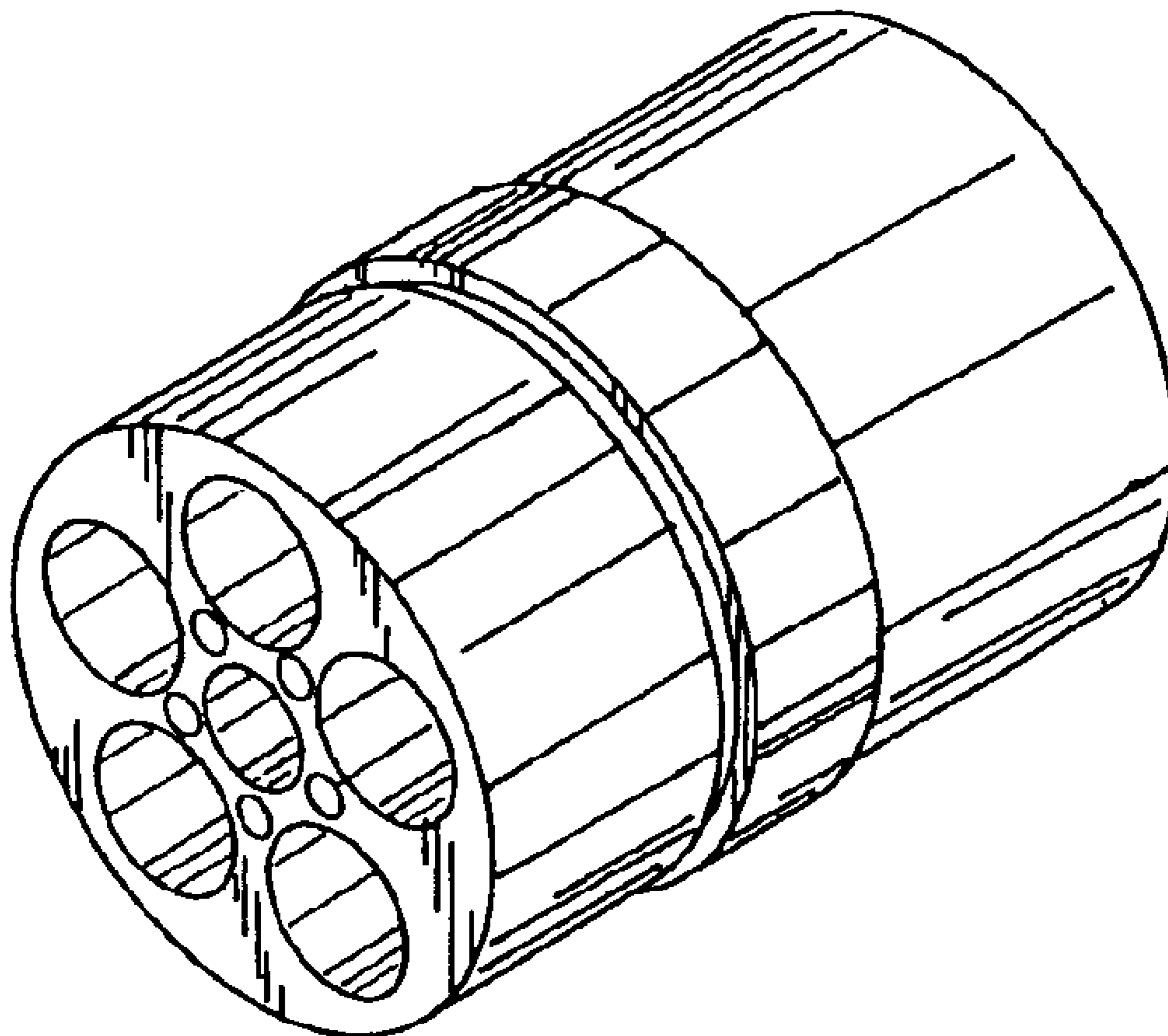
FIG. 1 is a perspective view of a cylinder housing for air compressor showing my new design;  
FIG. 2 is a front elevational view thereof;  
FIG. 3 is a rear elevational view thereof;  
FIG. 4 is a top plan view thereof;  
FIG. 5 is a bottom plan view thereof;  
FIG. 6 is a left side elevational view thereof;  
FIG. 7 is a right side elevational view thereof; and,  
FIG. 8 is a perspective view thereof, the orifices and pin depicted by means of broken lines being for illustrative purposes only and forming no part of the claimed design.

(56) **References Cited**

**U.S. PATENT DOCUMENTS**

4,702,830 A \* 10/1987 Makino et al. .... 210/220  
D356,573 S \* 3/1995 Makino ..... D15/7  
D361,572 S \* 8/1995 Makino ..... D15/7

**1 Claim, 2 Drawing Sheets**



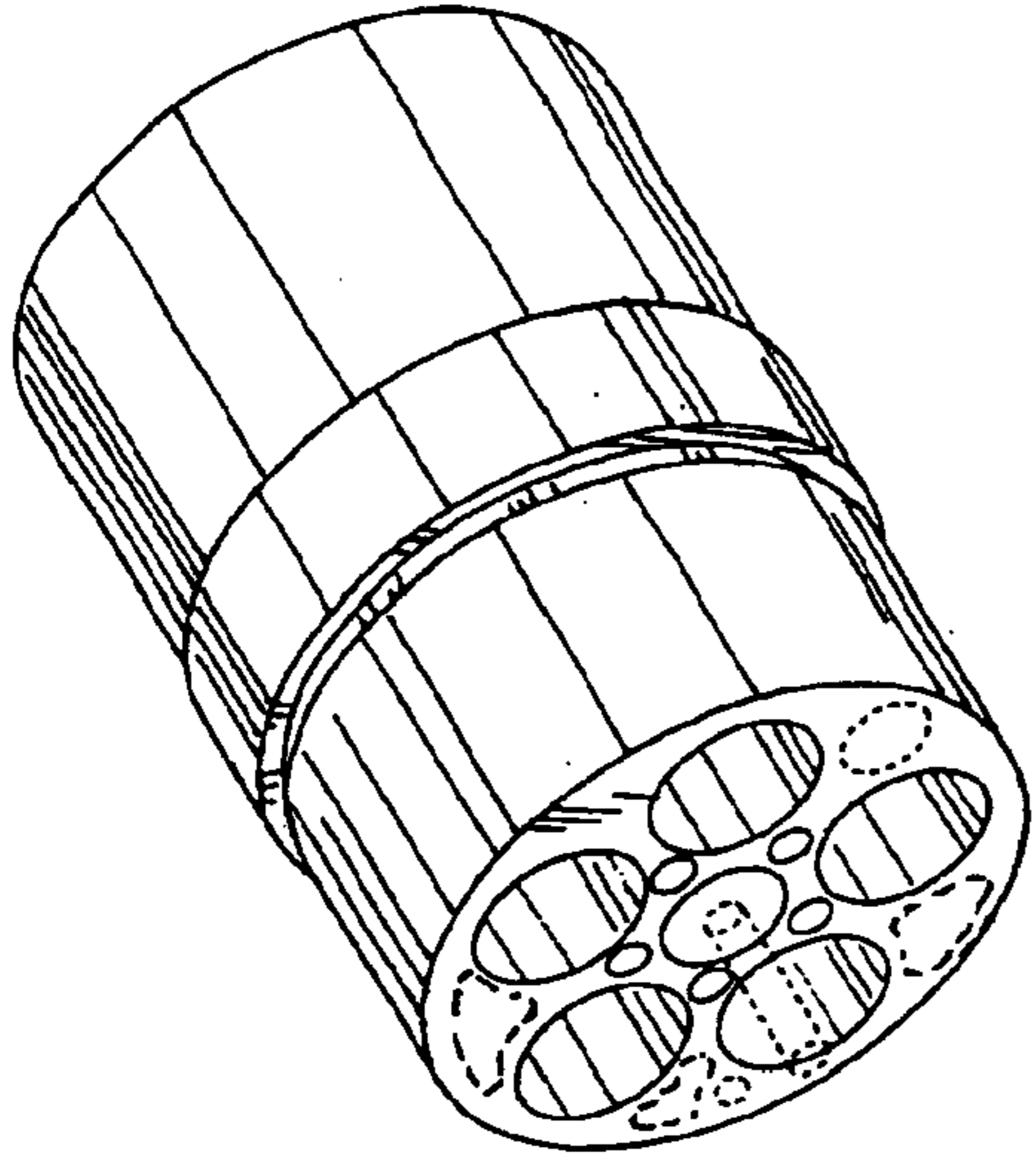


FIG. 8

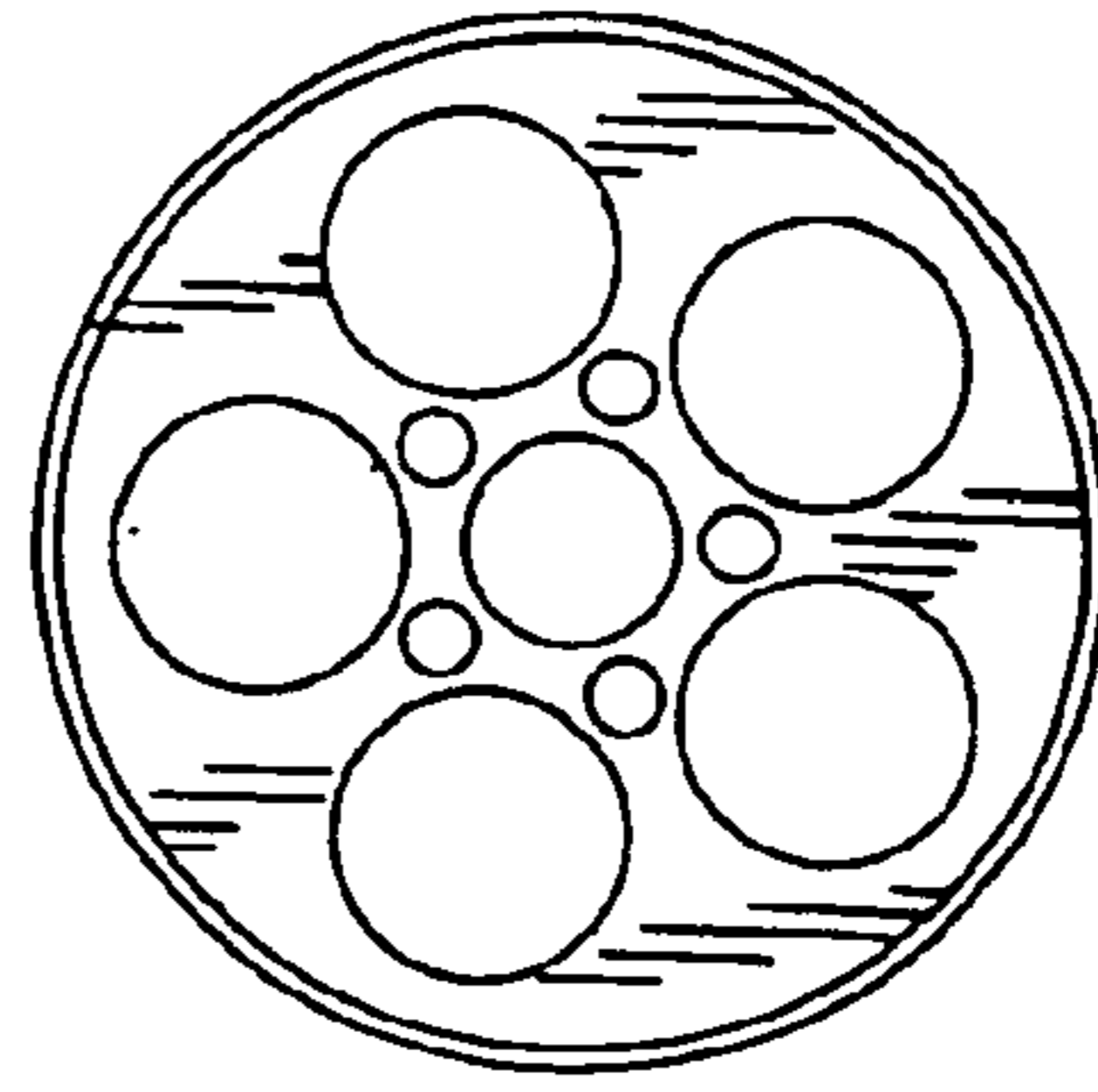


FIG. 3

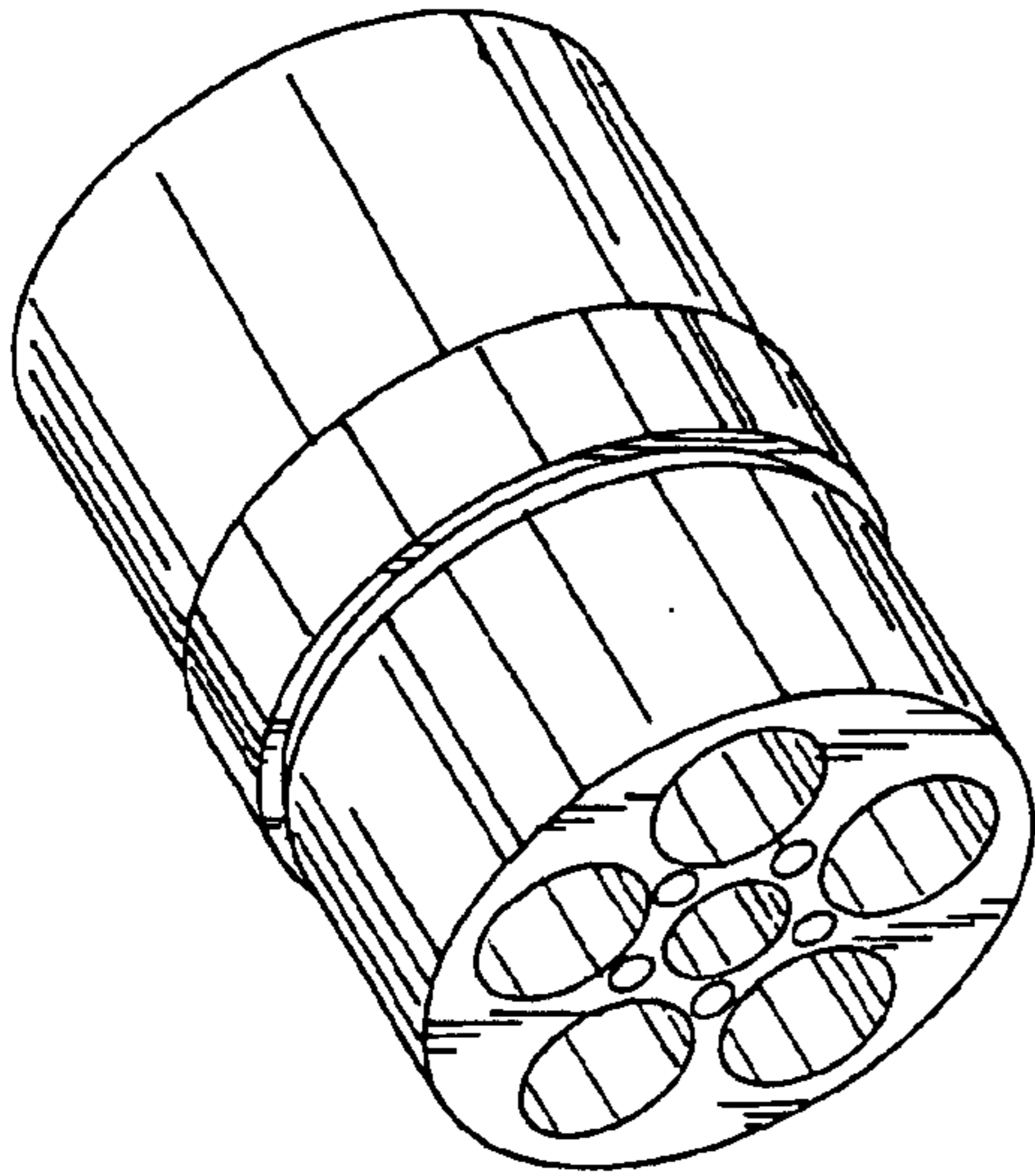


FIG. 1

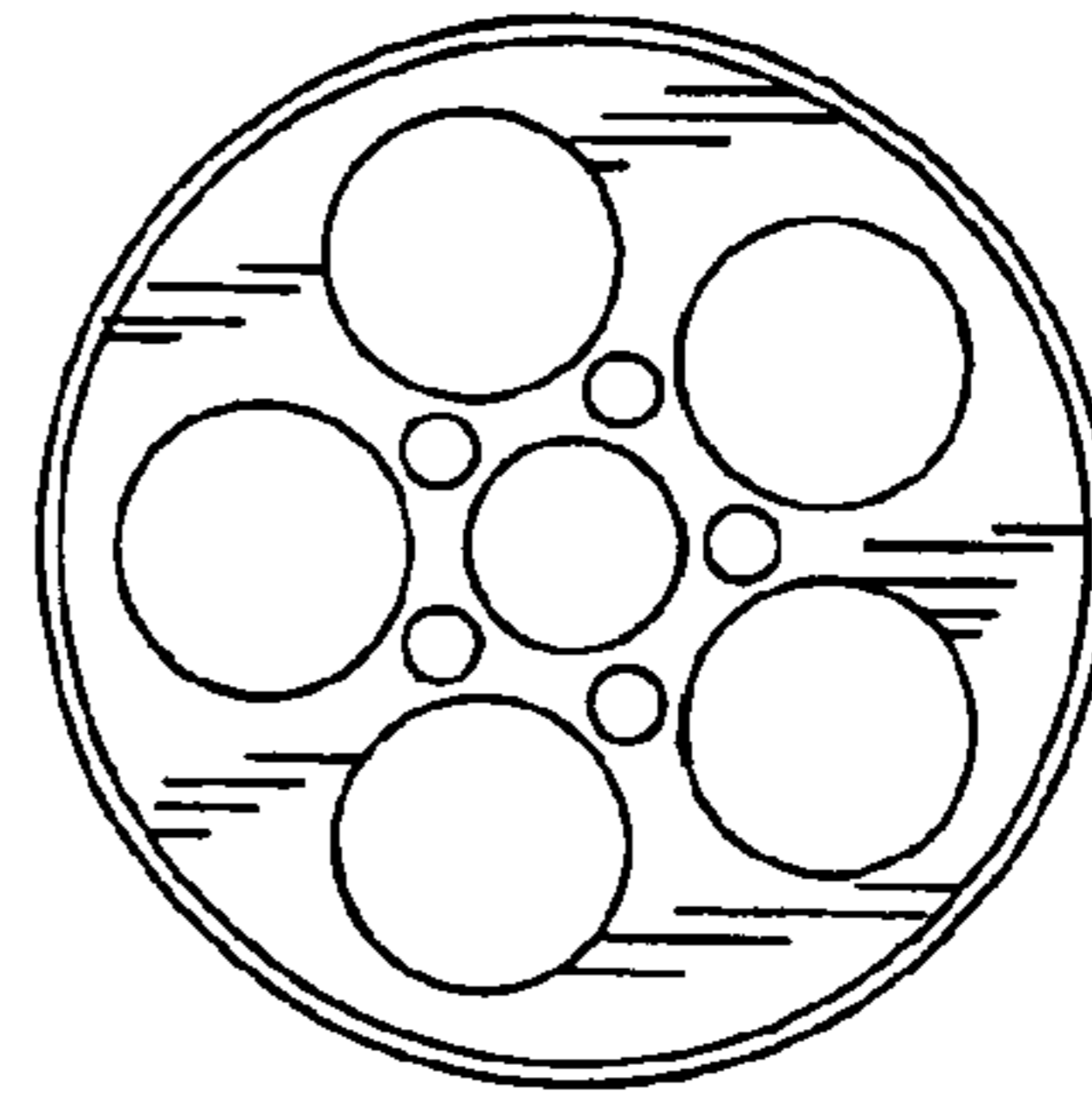


FIG. 2

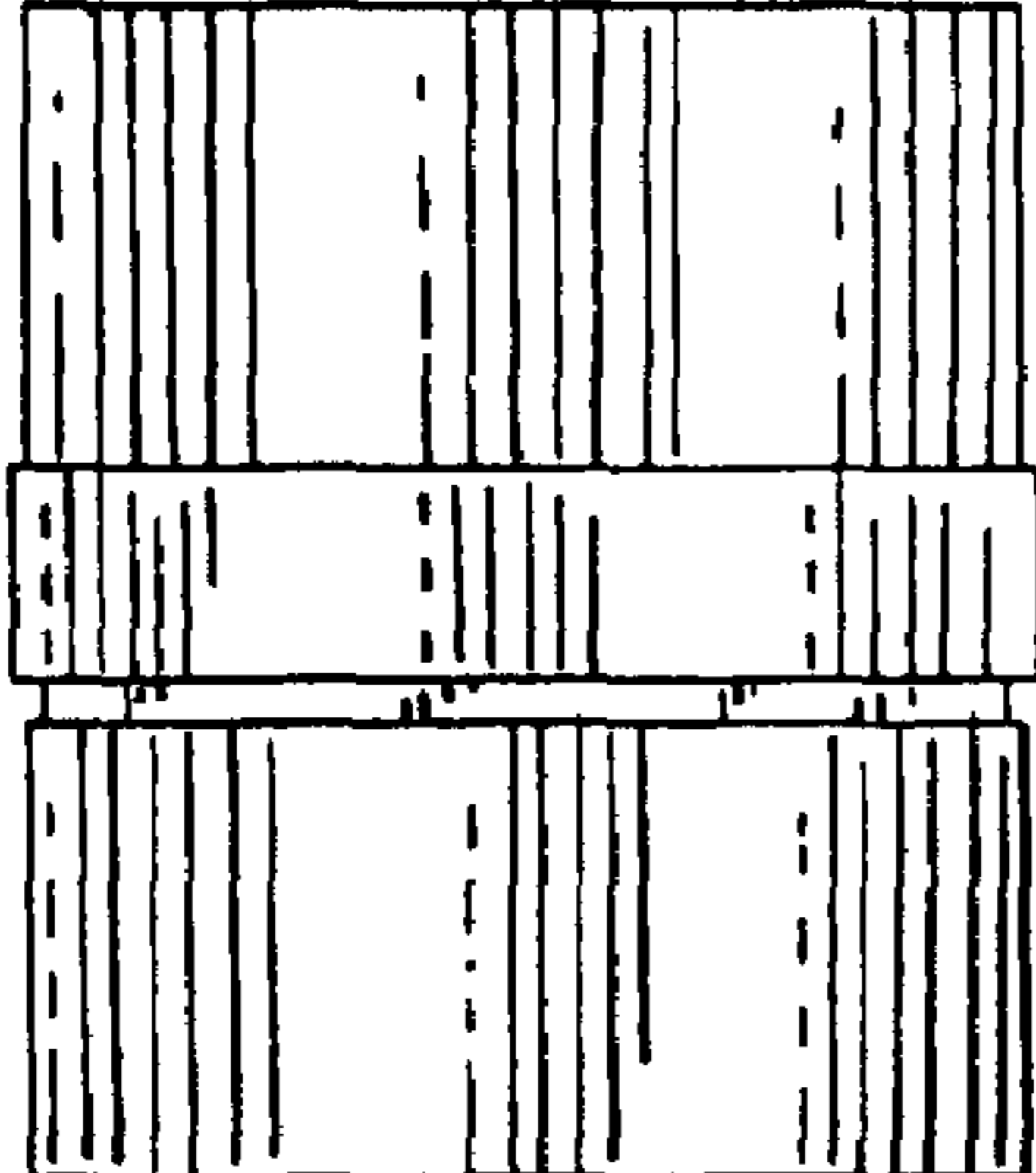


FIG. 5

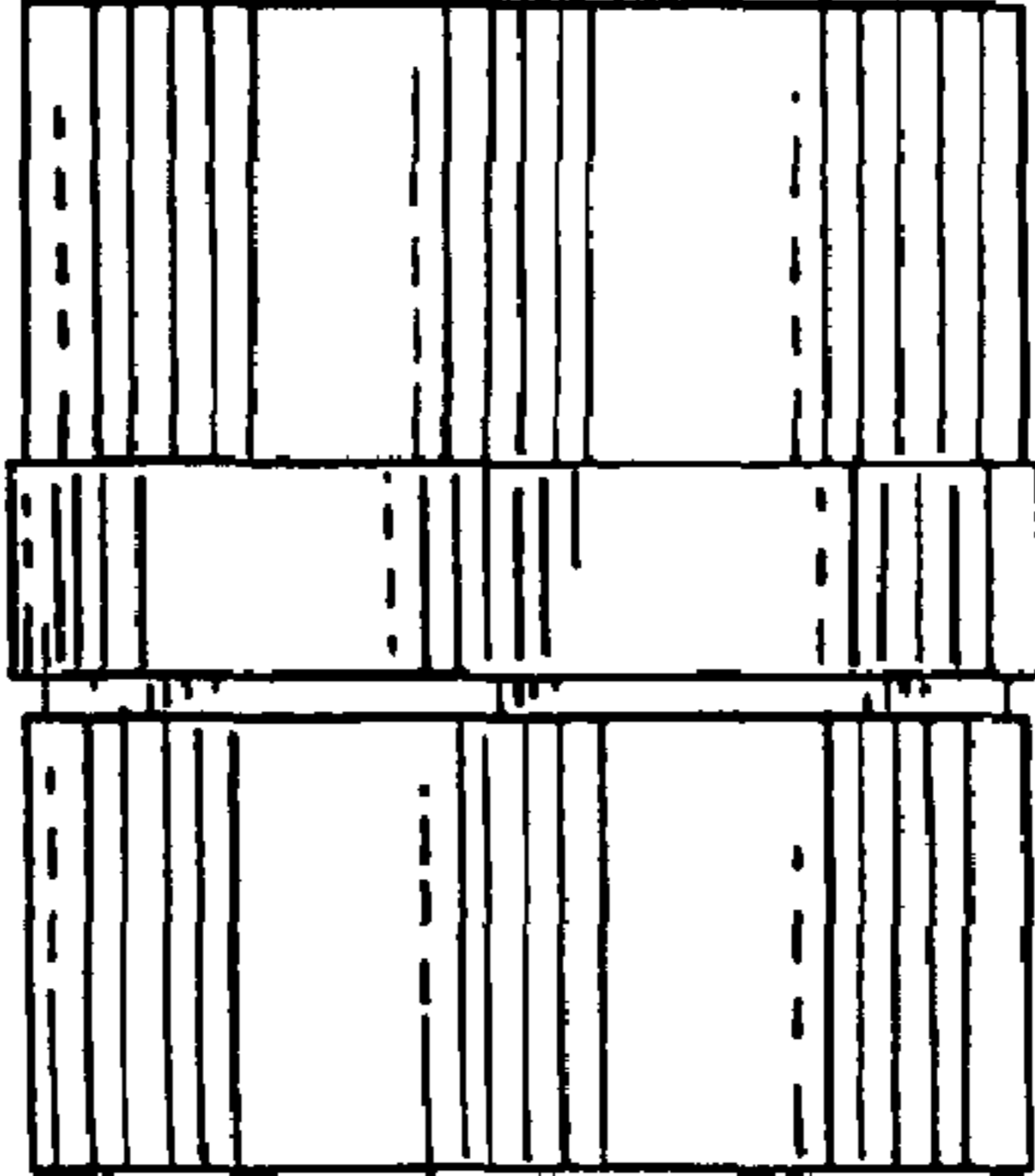


FIG. 7

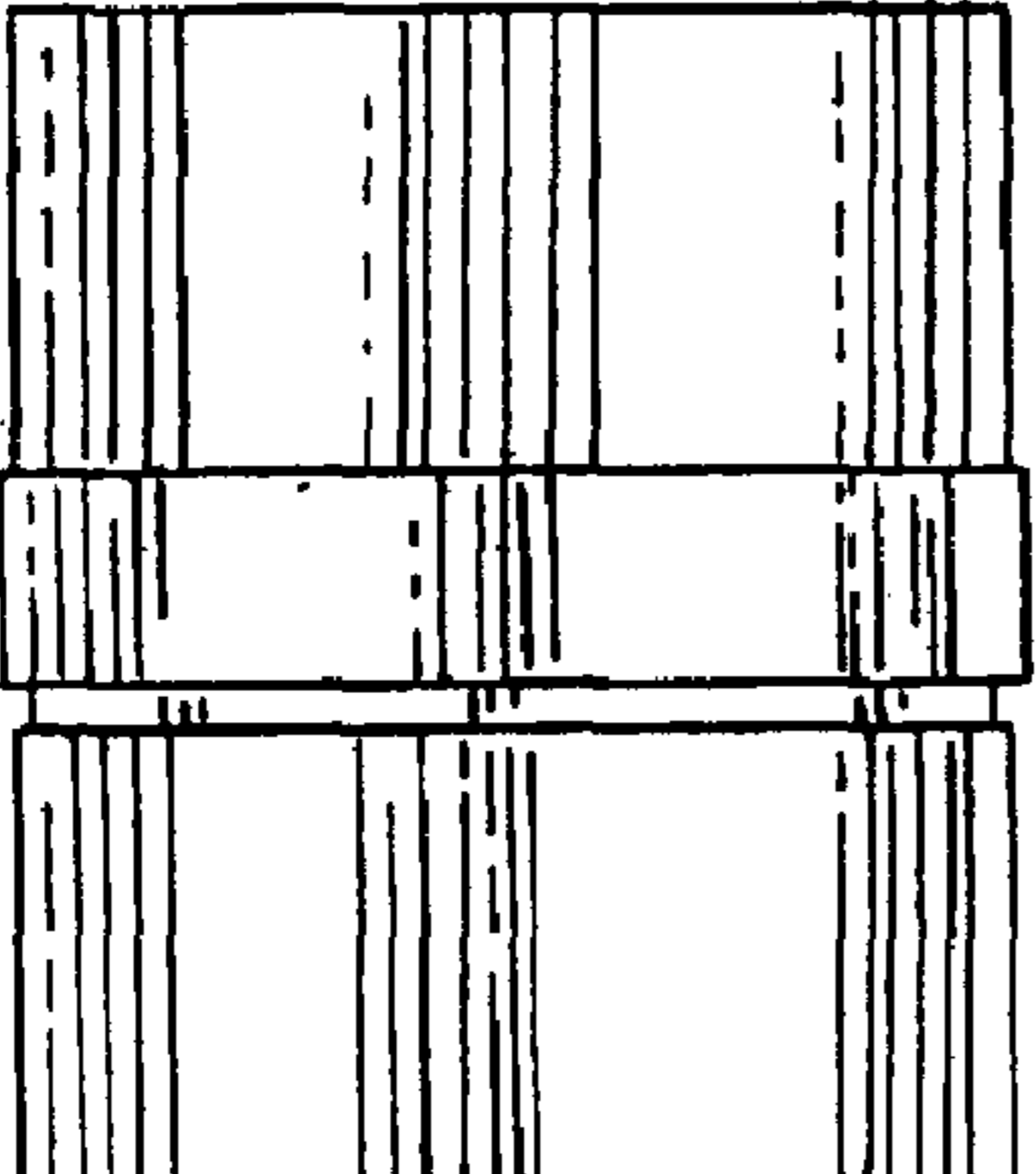


FIG. 4

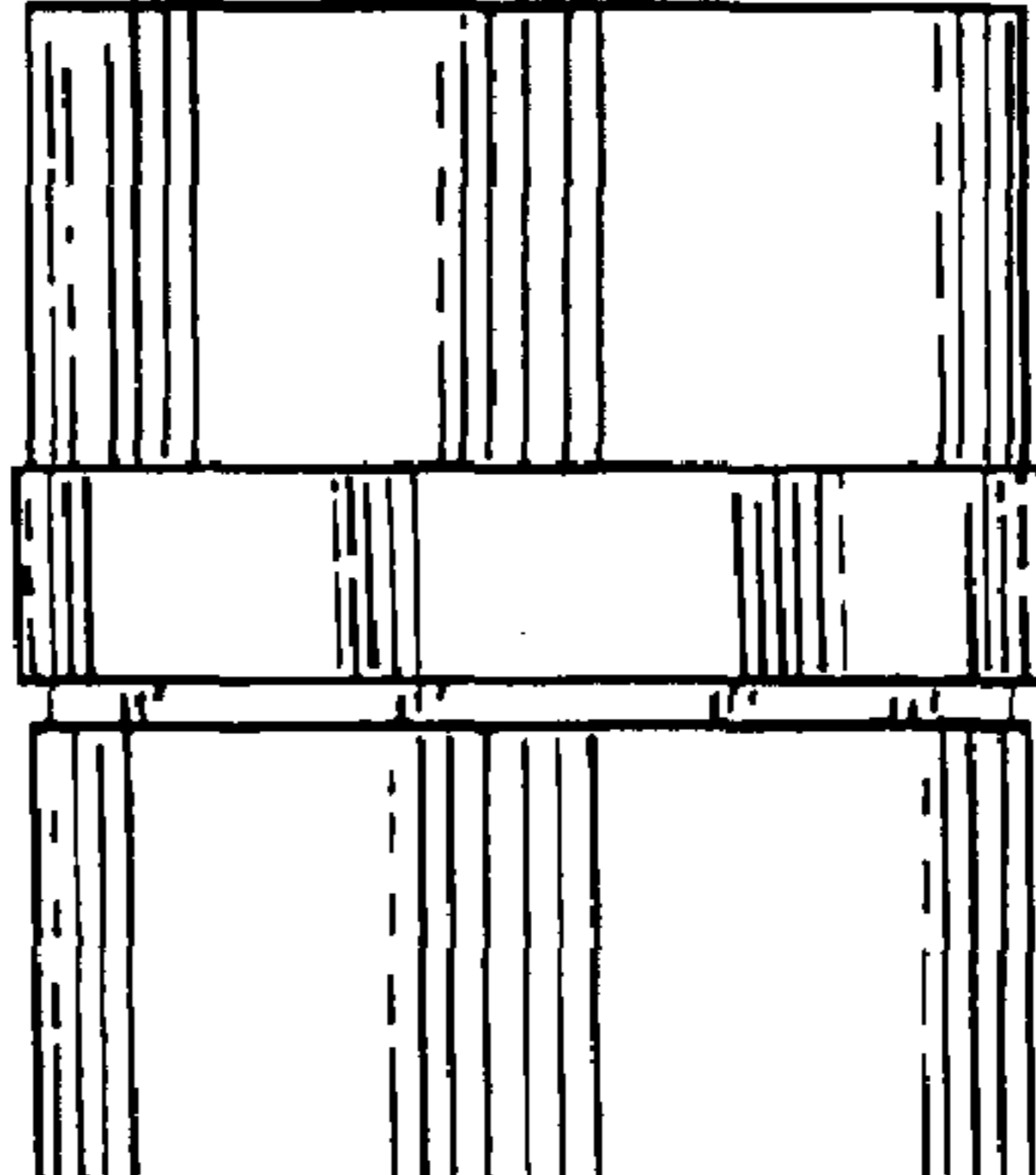


FIG. 6