

US00D506761S

(12) **United States Design Patent**
Hulks et al.

(10) **Patent No.: US D506,761 S**
(45) **Date of Patent: ** Jun. 28, 2005**

(54) **AIR PUMP**

(75) Inventors: **Roger Hulks**, Watford (GB); **Simon King**, Amesbury (GB); **Dave Burt**, Stoke-on-Trent (GB)

(73) Assignee: **Michelin Recherche et S.A.**, Granges-Paccot (CH)

(**) Term: **14 Years**

(21) Appl. No.: **29/217,600**

(22) Filed: **Nov. 19, 2004**

Related U.S. Application Data

(62) Division of application No. 29/190,540, filed on Sep. 17, 2003, now Pat. No. Des. 499,743.

(51) **LOC (8) Cl.** **15-02**

(52) **U.S. Cl.** **D15/7**

(58) **Field of Search** D15/7-9; 417/321, 417/410, 413.1, 415, 423.3, 486, 521, 534; 415/148

(56) **References Cited**

U.S. PATENT DOCUMENTS

1,160,528 A 11/1915 Pilkington 92/118
1,236,479 A 8/1917 Peteler 92/20

1,280,511 A 10/1918 McBeth 92/20
1,370,993 A 3/1921 Perkins 74/96
1,382,603 A 6/1921 Wheeler 92/130 R
2,200,012 A 5/1940 Russell et al. 417/464
2,573,375 A * 10/1951 Winstead 206/225
2,781,166 A 2/1957 Flood et al. 417/464
D257,878 S 1/1981 Schwartz D23/14
4,289,458 A 9/1981 Price 417/464
D358,398 S * 5/1995 Persson D15/7
D439,310 S 3/2001 Wang D23/231
D463,452 S * 9/2002 Soderqvist D15/7

* cited by examiner

Primary Examiner—Ralf Seifert

(74) *Attorney, Agent, or Firm*—E. Martin Remick; Robert R. Reed

(57) **CLAIM**

The ornamental design for an air pump, as shown and described.

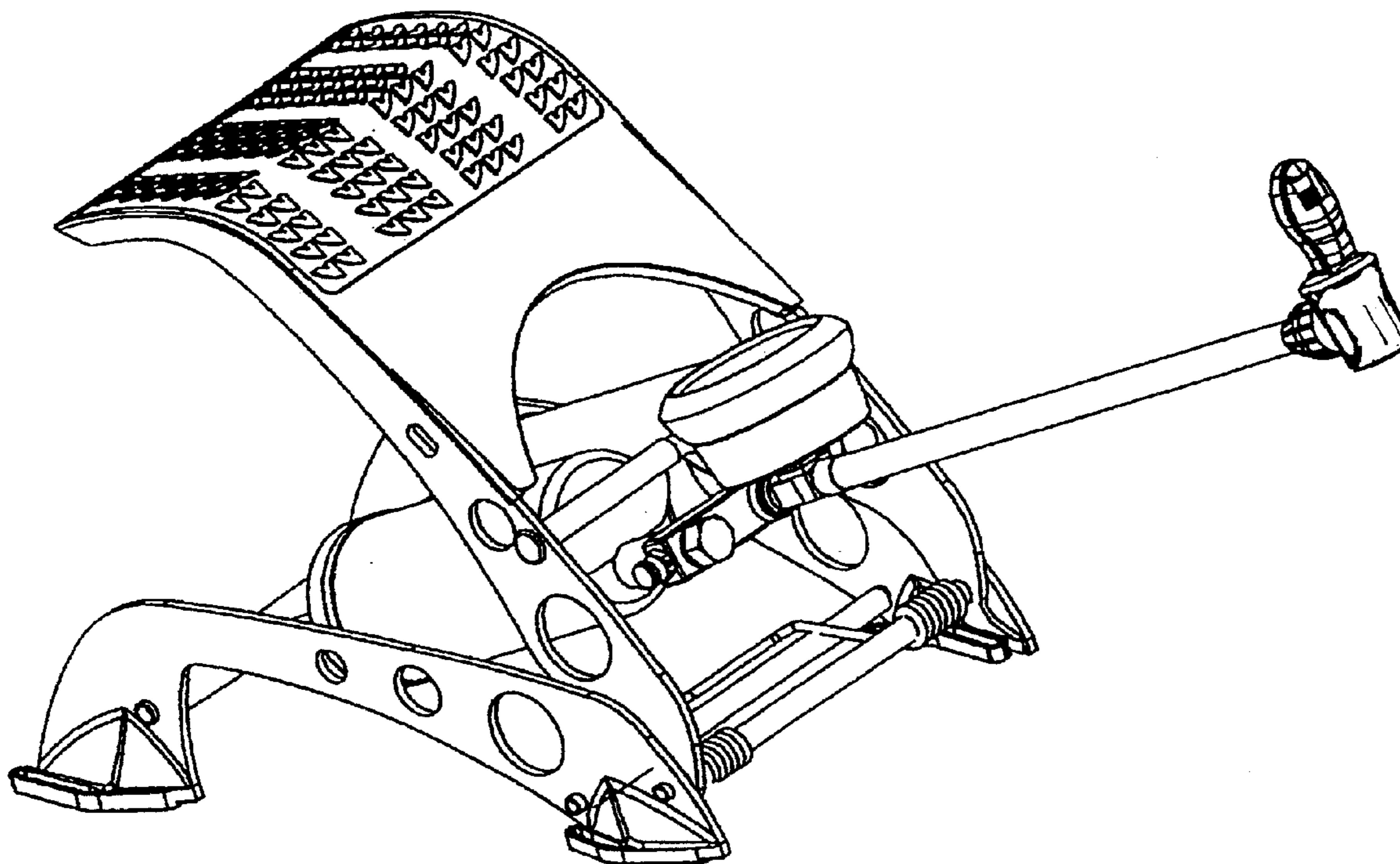
DESCRIPTION

FIG. 1 is a perspective view of an air pump showing our new design;

FIG. 2 is a side view of the air pump of FIG. 1, the opposite side being understood to be a mirror image of the side shown; and,

FIG. 3 is a top plan view of the air pump of FIG. 1.

1 Claim, 3 Drawing Sheets



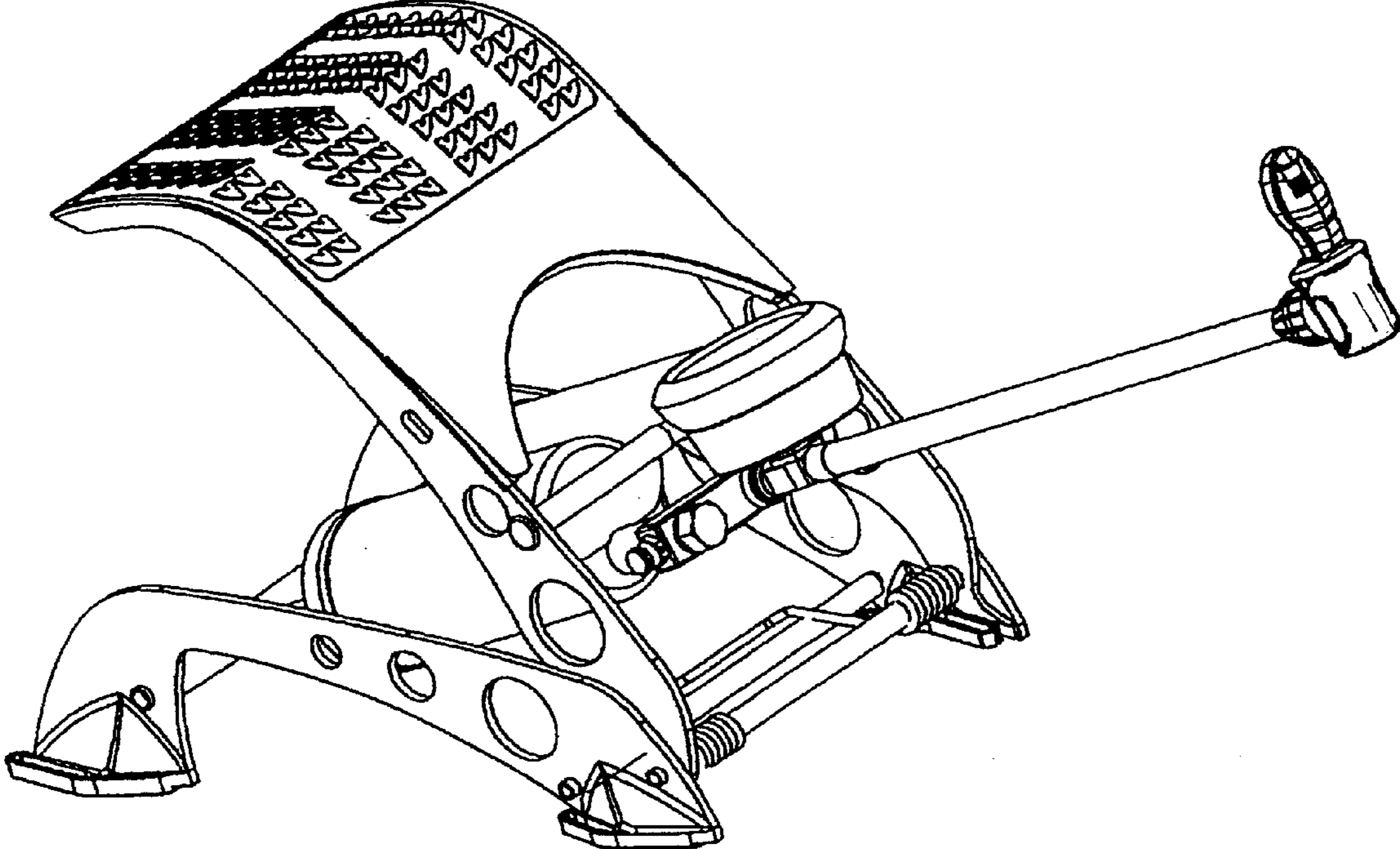


Fig. 1

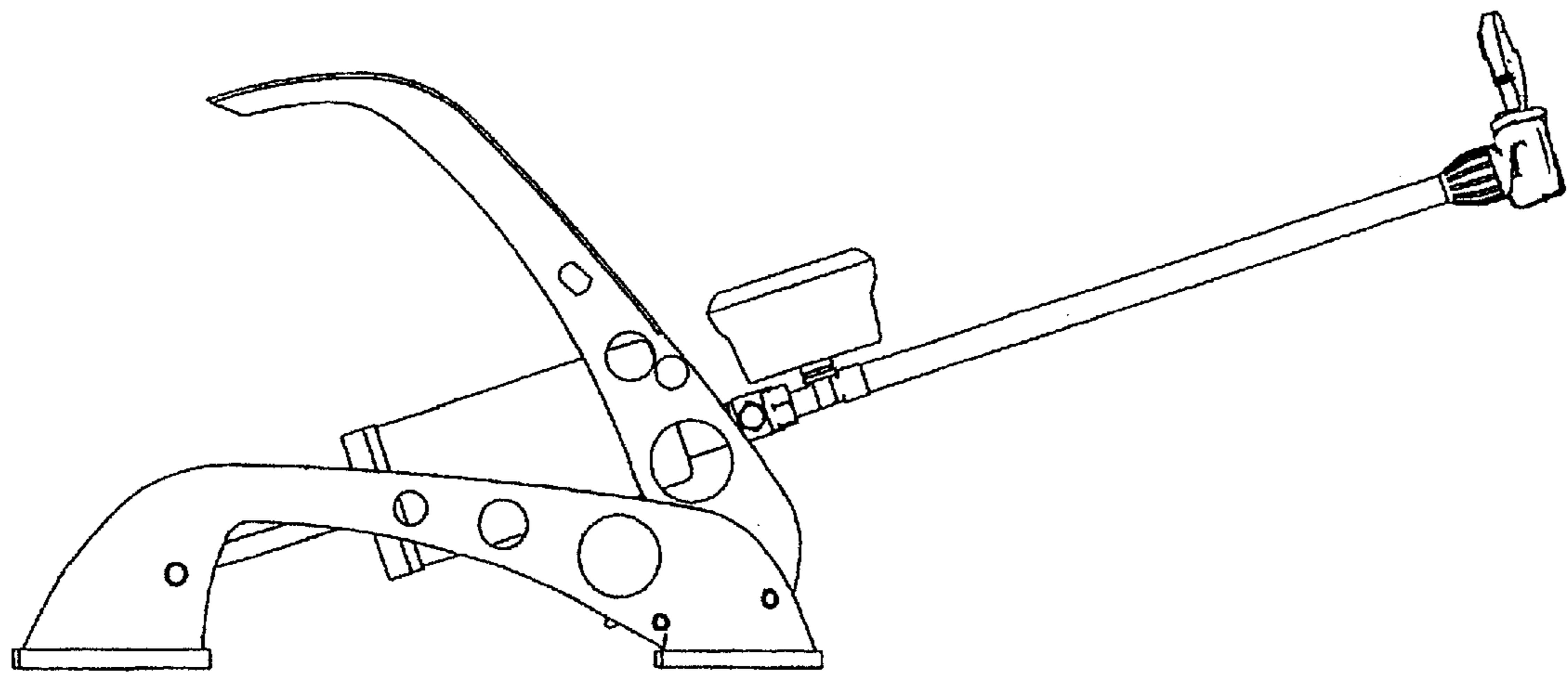


Fig. 2

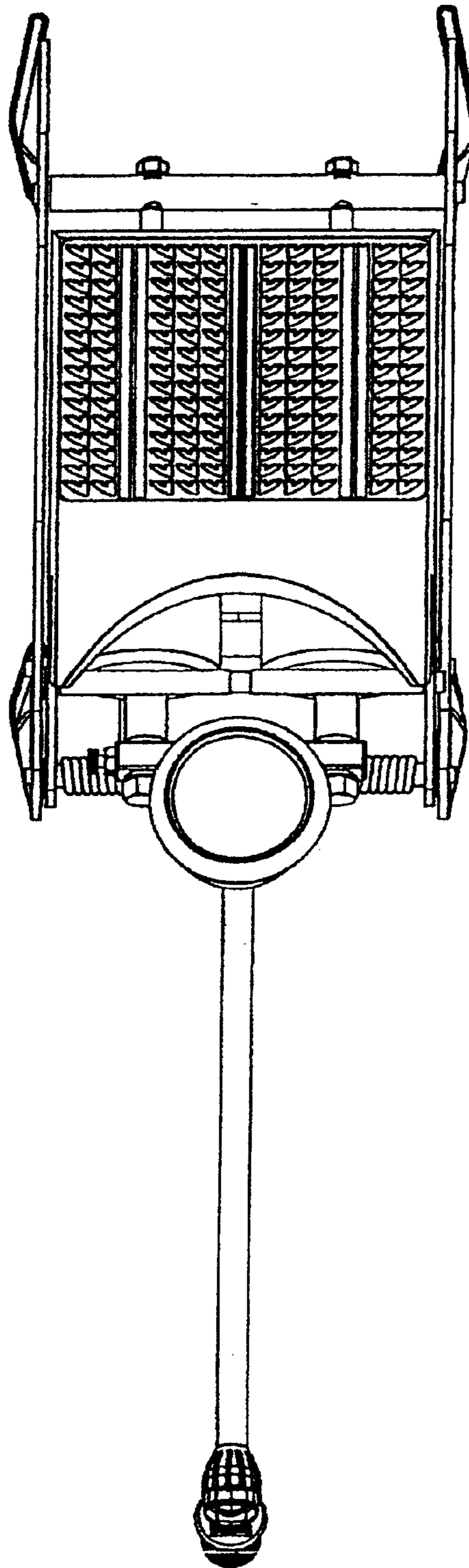


Fig 3