

US00D506755S

(12) **United States Design Patent**
Chen et al.

(10) **Patent No.:** **US D506,755 S**
(45) **Date of Patent:** **** Jun. 28, 2005**

(54) **COMPUTER ENCLOSURE**

(75) Inventors: **Li-Ping Chen**, Tu-Chen (TW);
Chen-Lu Fan, Tu-Chen (TW)

(73) Assignee: **Hon Hai Precision Ind. Co., Ltd.**,
Taipei Hsien (TW)

(**) Term: **14 Years**

(21) Appl. No.: **29/199,376**

(22) Filed: **Feb. 12, 2004**

(30) **Foreign Application Priority Data**

Sep. 19, 2003 (CN) 3364576

(51) **LOC (8) Cl.** **14-02**

(52) **U.S. Cl.** **D14/349**

(58) **Field of Search** D14/300-302,
D14/308, 314, 349, 356, 361, 362; D13/162,
184, 199; 312/223.2; 361/680-686, 690-696

(56) **References Cited**

U.S. PATENT DOCUMENTS

D322,778 S * 12/1991 Kline et al. D14/354

D428,005 S * 7/2000 Takizawa et al. D14/349
D431,243 S * 9/2000 Oba D14/351
D469,430 S * 1/2003 Sue et al. D14/349

* cited by examiner

Primary Examiner—Freda S. Nunn

(74) *Attorney, Agent, or Firm*—Wei Te Chung

(57) **CLAIM**

The ornamental design for a computer enclosure, as shown and described.

DESCRIPTION

FIG. 1 is a perspective view of a computer enclosure of our new design;

FIG. 2 is a front elevational view thereof;

FIG. 3 is a rear elevational view thereof;

FIG. 4 is a left side elevational view thereof;

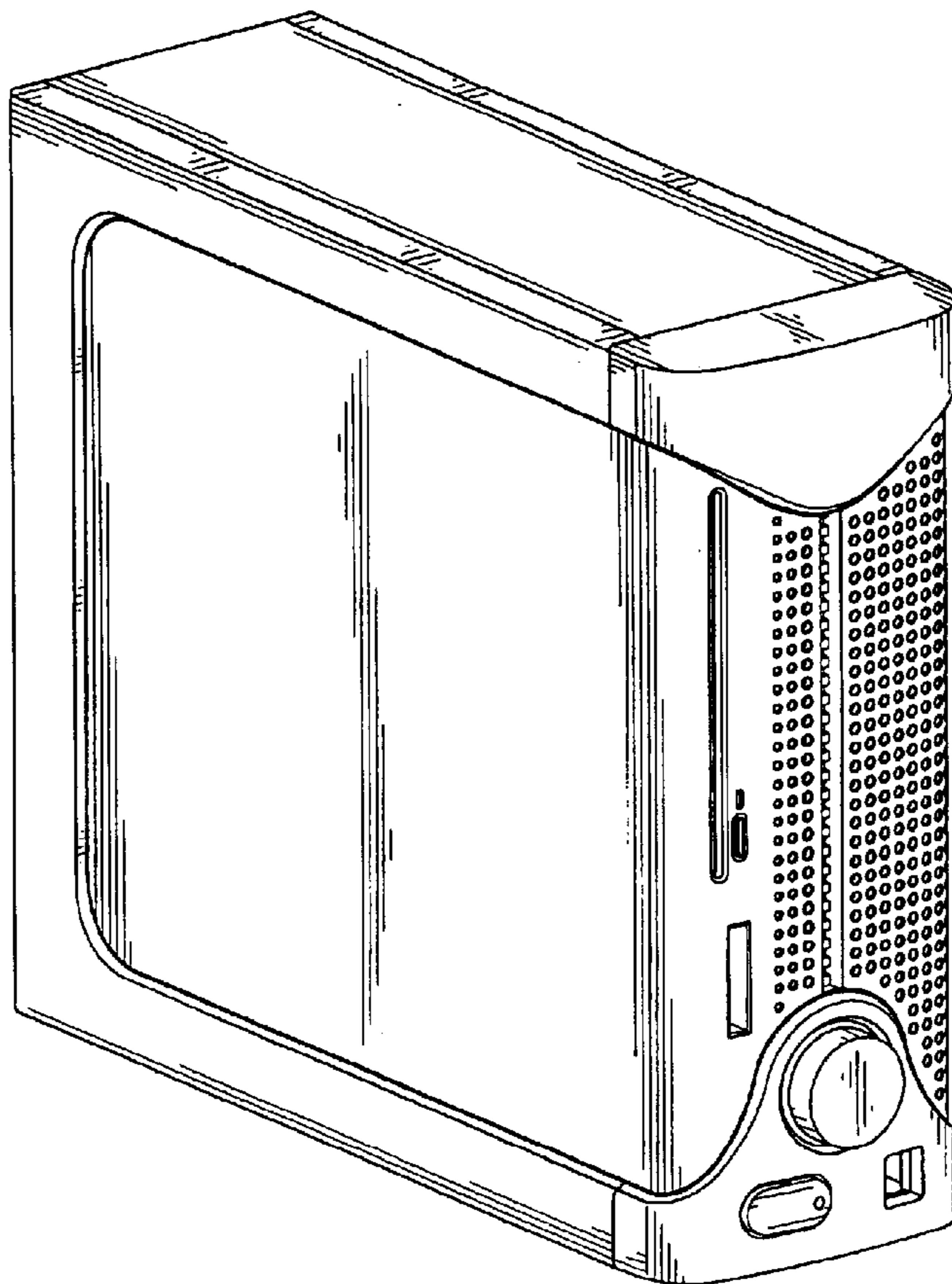
FIG. 5 is a right side elevational view thereof;

FIG. 6 is a top plan view thereof; and,

FIG. 7 is a bottom plan view thereof.

The broken lines are shown for illustrative purposes only and form no part of the claimed design.

1 Claim, 7 Drawing Sheets



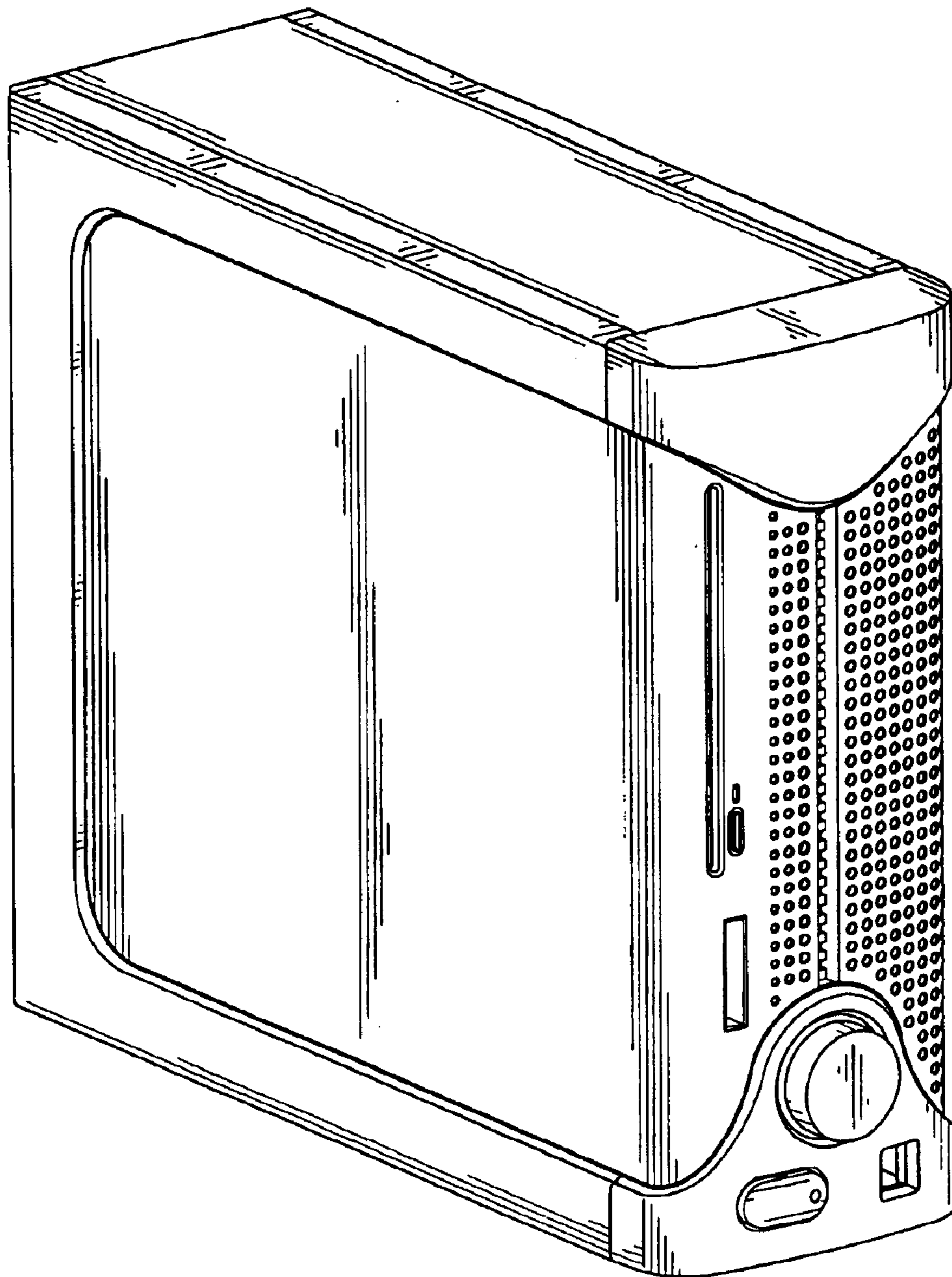


FIG. 1

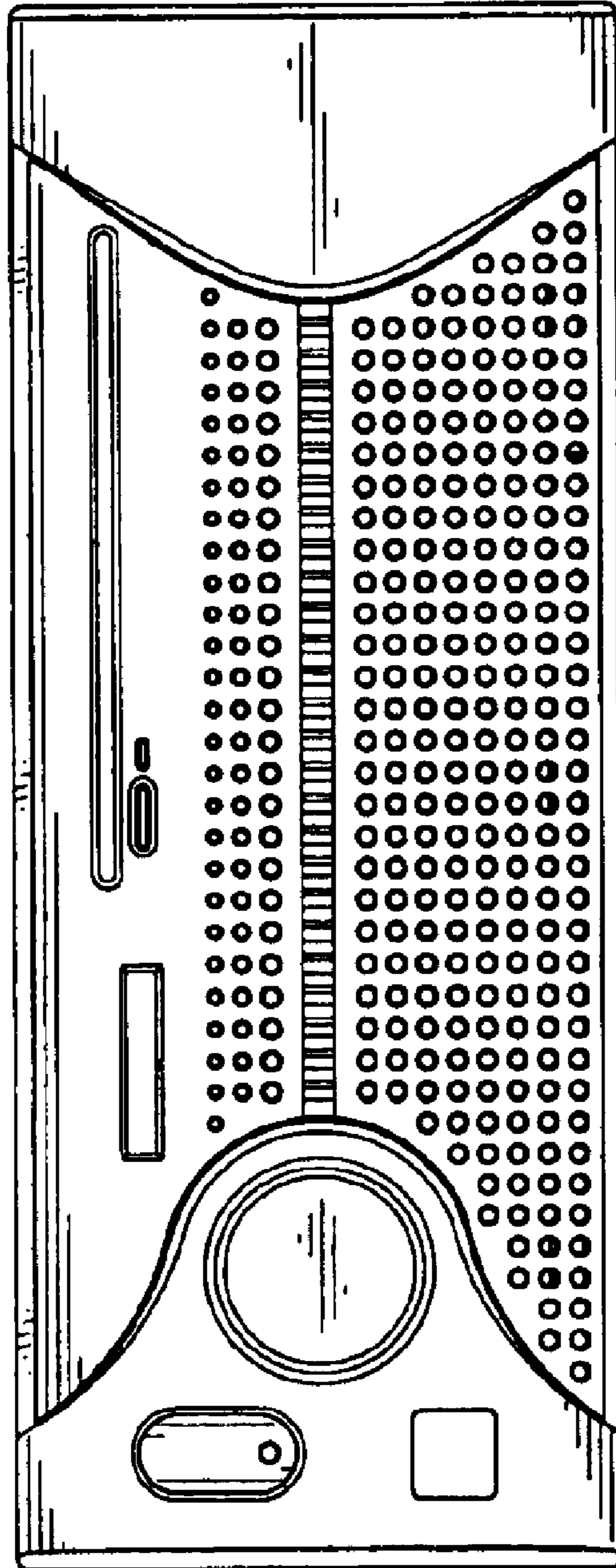


FIG. 2

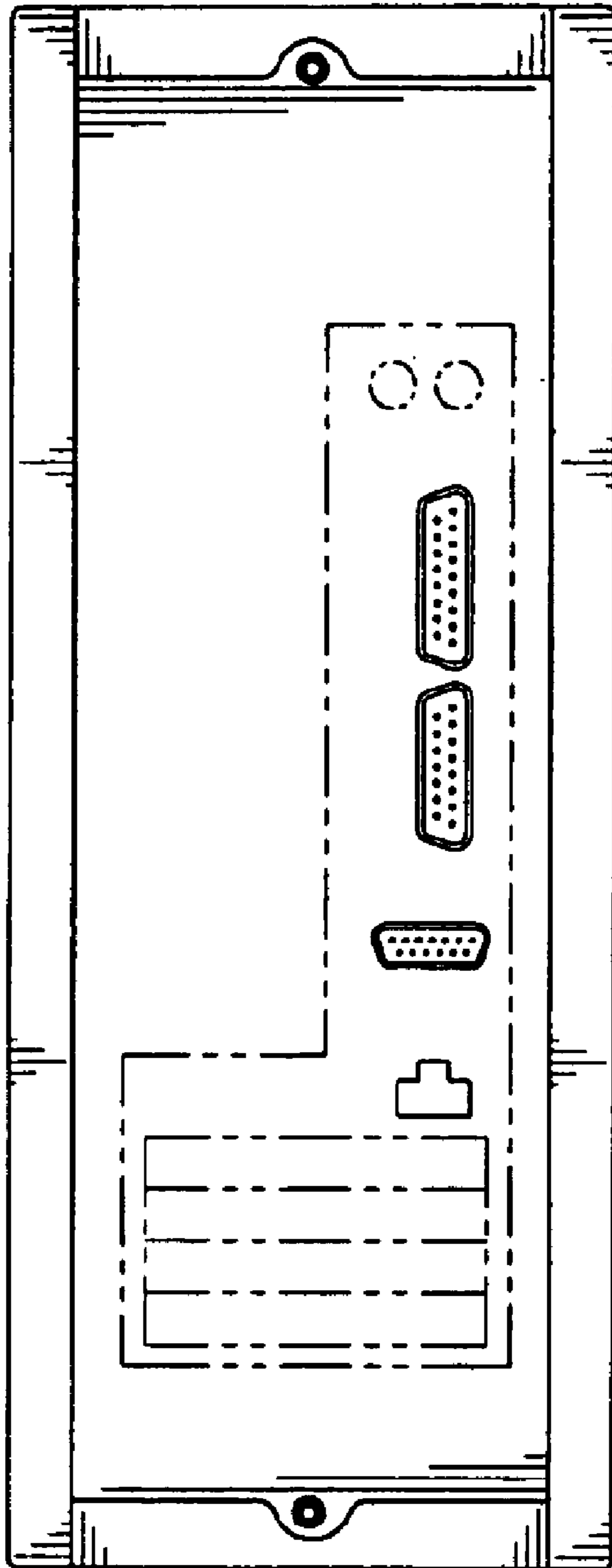


FIG. 3

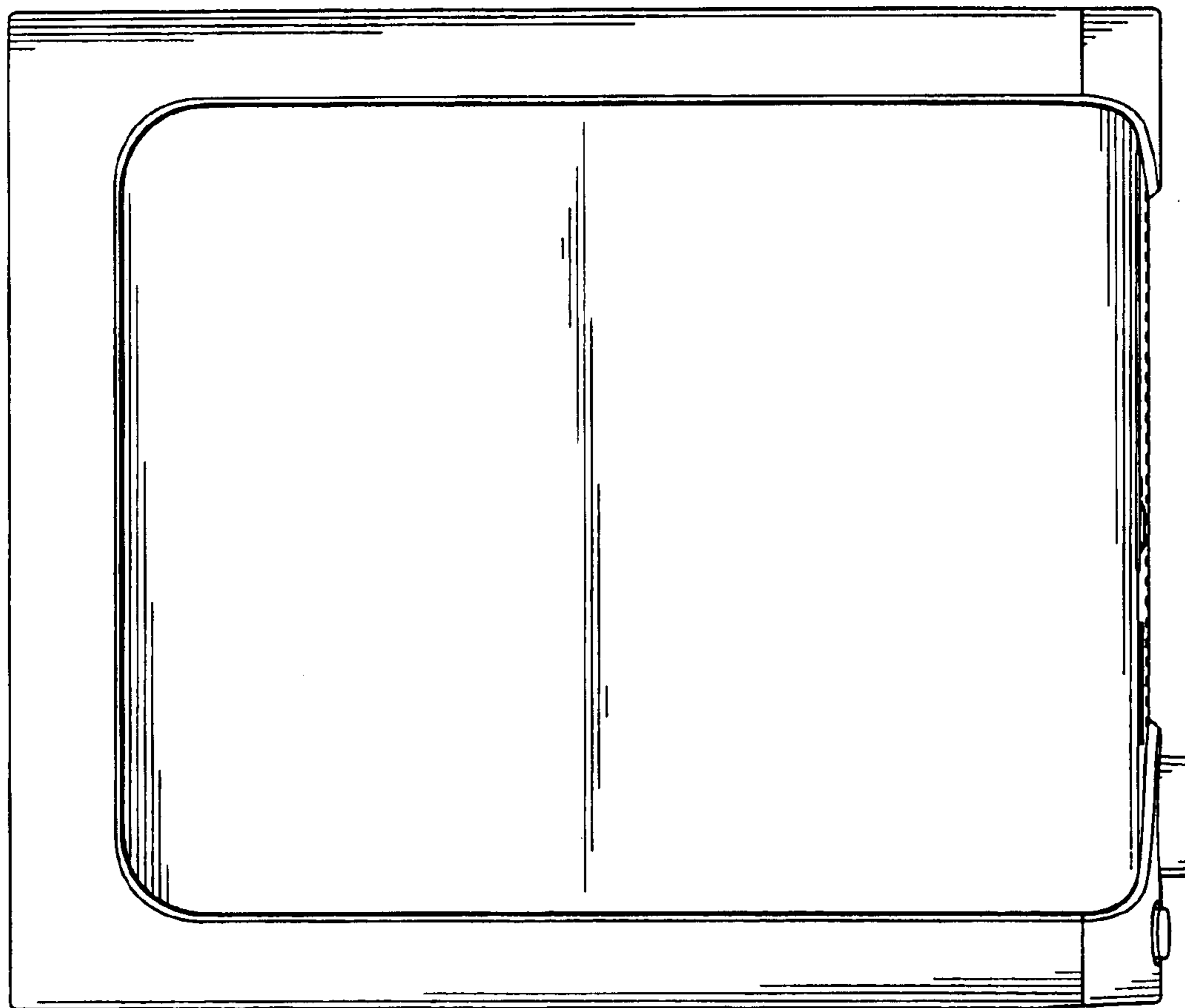


FIG. 4

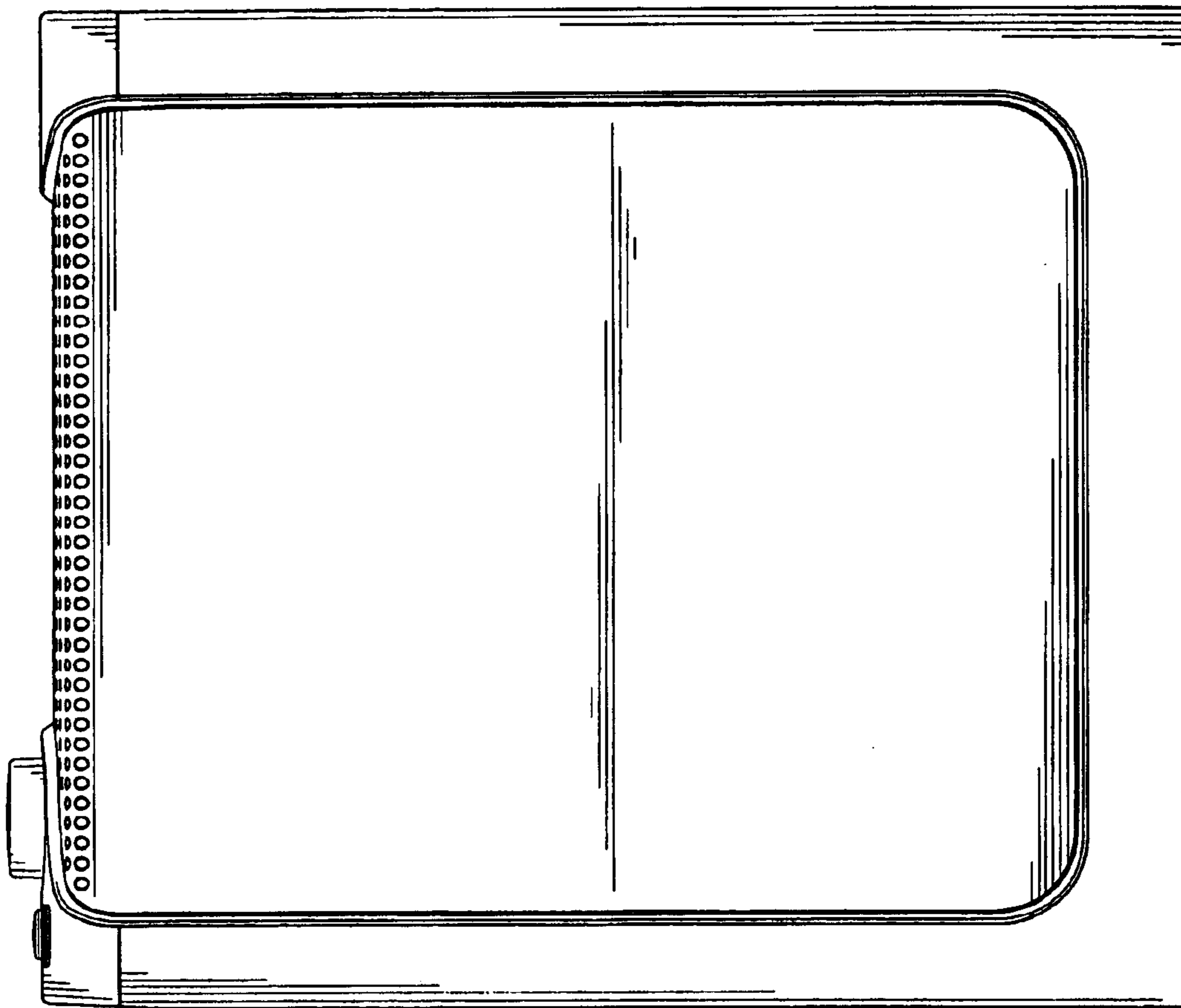


FIG. 5

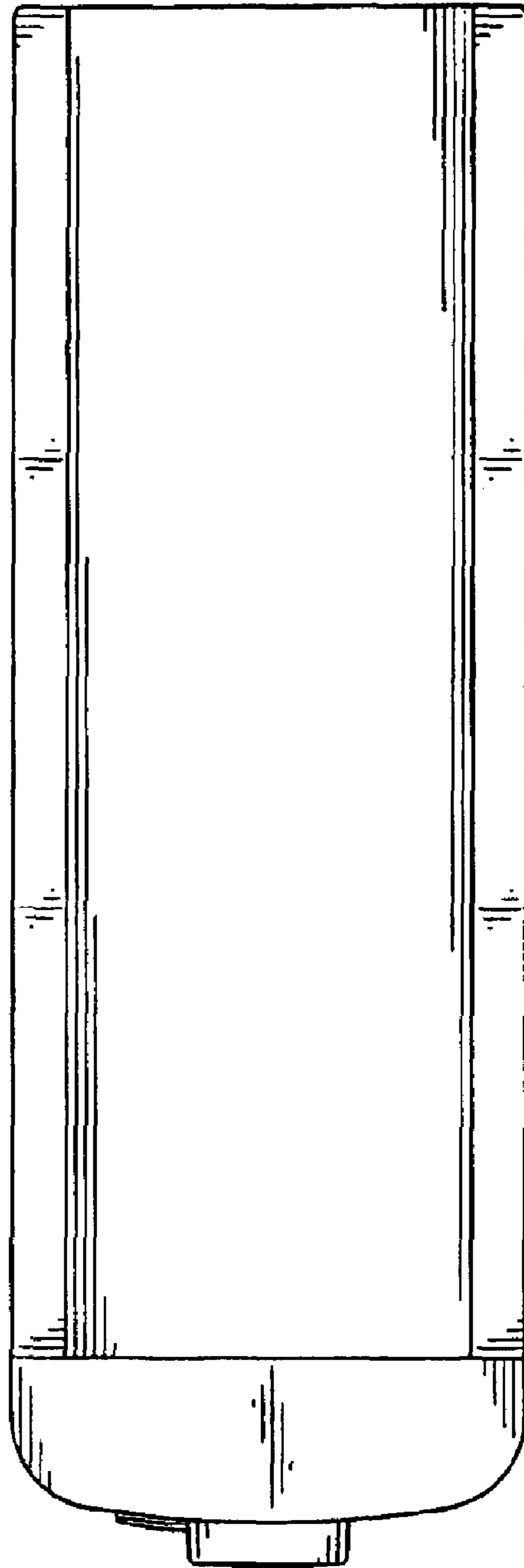


FIG. 6

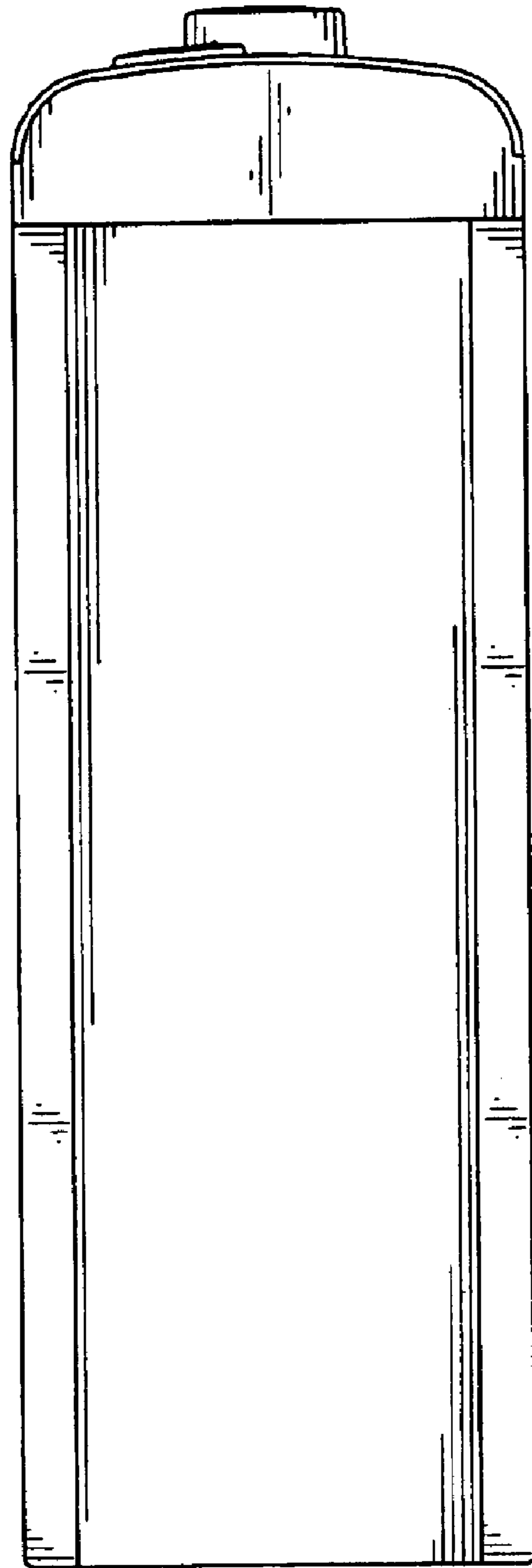


FIG. 7