



US00D506751S

(12) **United States Design Patent** (10) **Patent No.:** **US D506,751 S**
Oga (45) **Date of Patent:** **** Jun. 28, 2005**

(54) **PICKUP FOR DISC PLAYER**

(75) Inventor: **Osamu Oga**, Tokyo (JP)

(73) Assignee: **Sony Corporation**, Tokyo (JP)

(**) Term: **14 Years**

(21) Appl. No.: **29/192,208**

(22) Filed: **Oct. 22, 2003**

(51) **LOC (8) Cl.** **14-03**

(52) **U.S. Cl.** **D14/260**

(58) **Field of Search** D14/260, 366,
D14/217, 156, 299, 239; 720/606, 659,
661, 664, 665, 671, 681, 684, 691, 694;
369/264

(56) **References Cited**

U.S. PATENT DOCUMENTS

5,119,362	A *	6/1992	Yanagisawa	720/665
5,177,731	A *	1/1993	Tanaka et al.	720/700
5,633,850	A *	5/1997	Park	720/608
5,886,977	A *	3/1999	Ota et al.	720/665
D433,676	S	11/2000	Yamada et al.	
6,219,327	B1 *	4/2001	Kim et al.	720/671
D443,874	S *	6/2001	Asaga et al.	D14/260
6,250,169	B1 *	6/2001	Weisser	74/89.17
6,266,311	B1 *	7/2001	Song et al.	720/609
6,430,143	B1 *	8/2002	Kajiyama et al.	720/671
6,445,674	B1 *	9/2002	Morita	720/671
6,449,224	B1 *	9/2002	Lee et al.	369/44.14
6,452,887	B2 *	9/2002	Nakayama et al.	720/664
6,496,472	B1 *	12/2002	Liao et al.	369/264
D475,365	S	6/2003	Yamamoto	
6,614,748	B2 *	9/2003	Shiomi et al.	720/697
6,744,723	B2 *	6/2004	Kirinoe	720/684
6,751,182	B1 *	6/2004	Shiomi et al.	369/219.1
D500,760	S *	1/2005	Kirii et al.	D14/260
2001/0022771	A1 *	9/2001	Muto et al.	369/219
2002/0154594	A1 *	10/2002	Lee	369/264

2002/0186640	A1 *	12/2002	Shimizu et al.	369/75.2
2003/0185132	A1 *	10/2003	Ariyoshi	369/75.2
2003/0193872	A1 *	10/2003	Kagawa	369/75.2
2004/0017765	A1 *	1/2004	Arase	369/244
2004/0017766	A1 *	1/2004	Monden et al.	369/263
2004/0095856	A1 *	5/2004	Nogami	369/44.23
2004/0111735	A1 *	6/2004	Yang	720/671
2004/0143837	A1 *	7/2004	Kim	720/611
2004/0144189	A1 *	7/2004	Nakamura et al.	74/89.18
2004/0194121	A1 *	9/2004	Liao et al.	720/694
2004/0233564	A1 *	11/2004	Kim	360/39
2004/0255316	A1 *	12/2004	Ryu	720/672
2004/0268372	A1 *	12/2004	Liu	720/601
2005/0010940	A1 *	1/2005	Guo et al.	720/659

OTHER PUBLICATIONS

Catalog "KSM-213BCM" 1 sheet, Sony (Sep. 2003 at the latest).

* cited by examiner

Primary Examiner—Joel A. Sincavage

Assistant Examiner—Austin Murphy

(74) *Attorney, Agent, or Firm*—Rader, Fishman & Grauer PLLC

(57) **CLAIM**

The ornamental design for a pickup for disc player, as shown.

DESCRIPTION

FIG. 1 is a perspective view of a pickup for disc player showing my new design;

FIG. 2 is a front elevational view thereof;

FIG. 3 is a rear elevational view thereof;

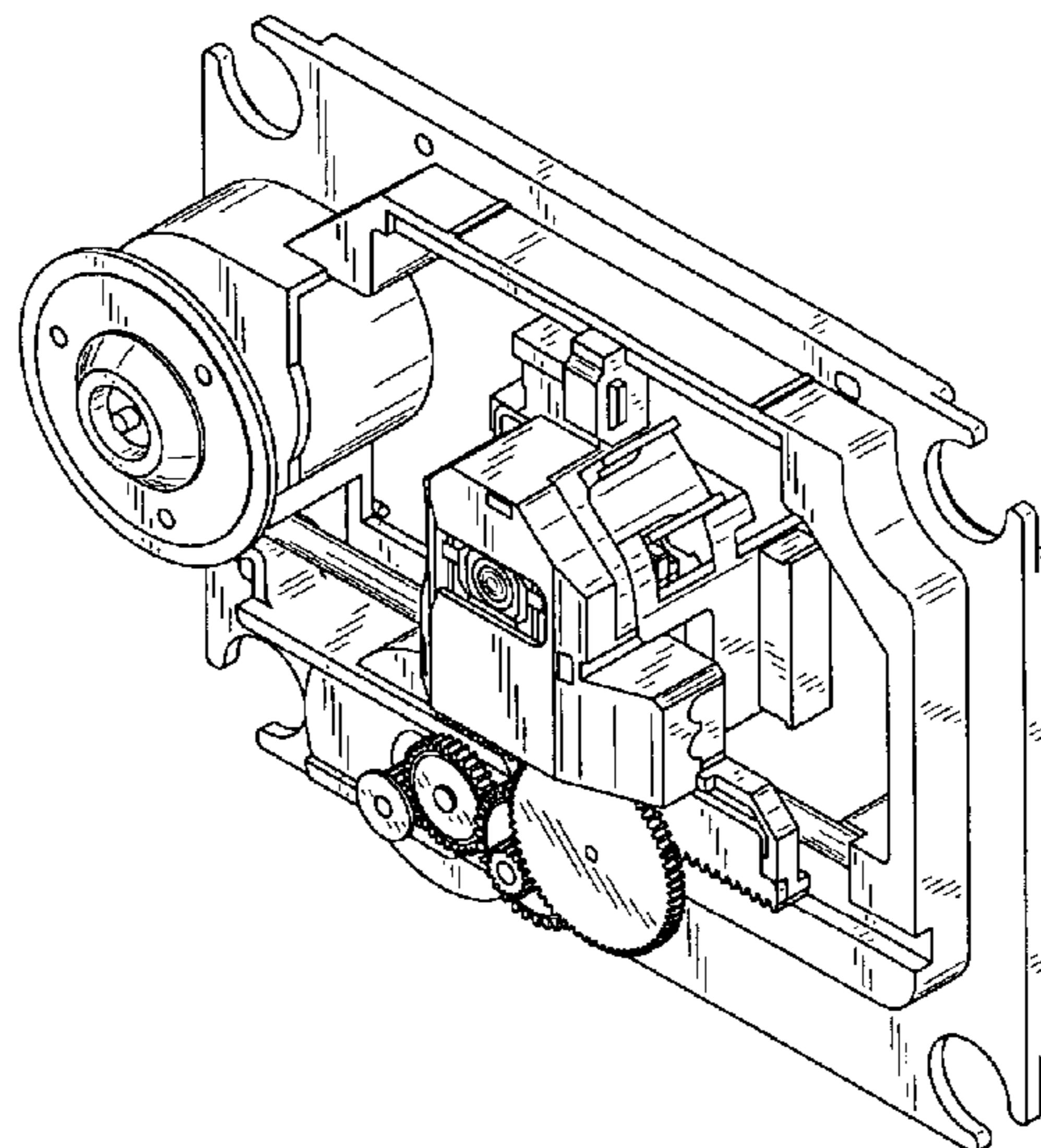
FIG. 4 is a left side elevational view thereof;

FIG. 5 is a right side elevational view thereof;

FIG. 6 is a top plan view thereof; and,

FIG. 7 is a bottom plan view thereof.

1 Claim, 4 Drawing Sheets



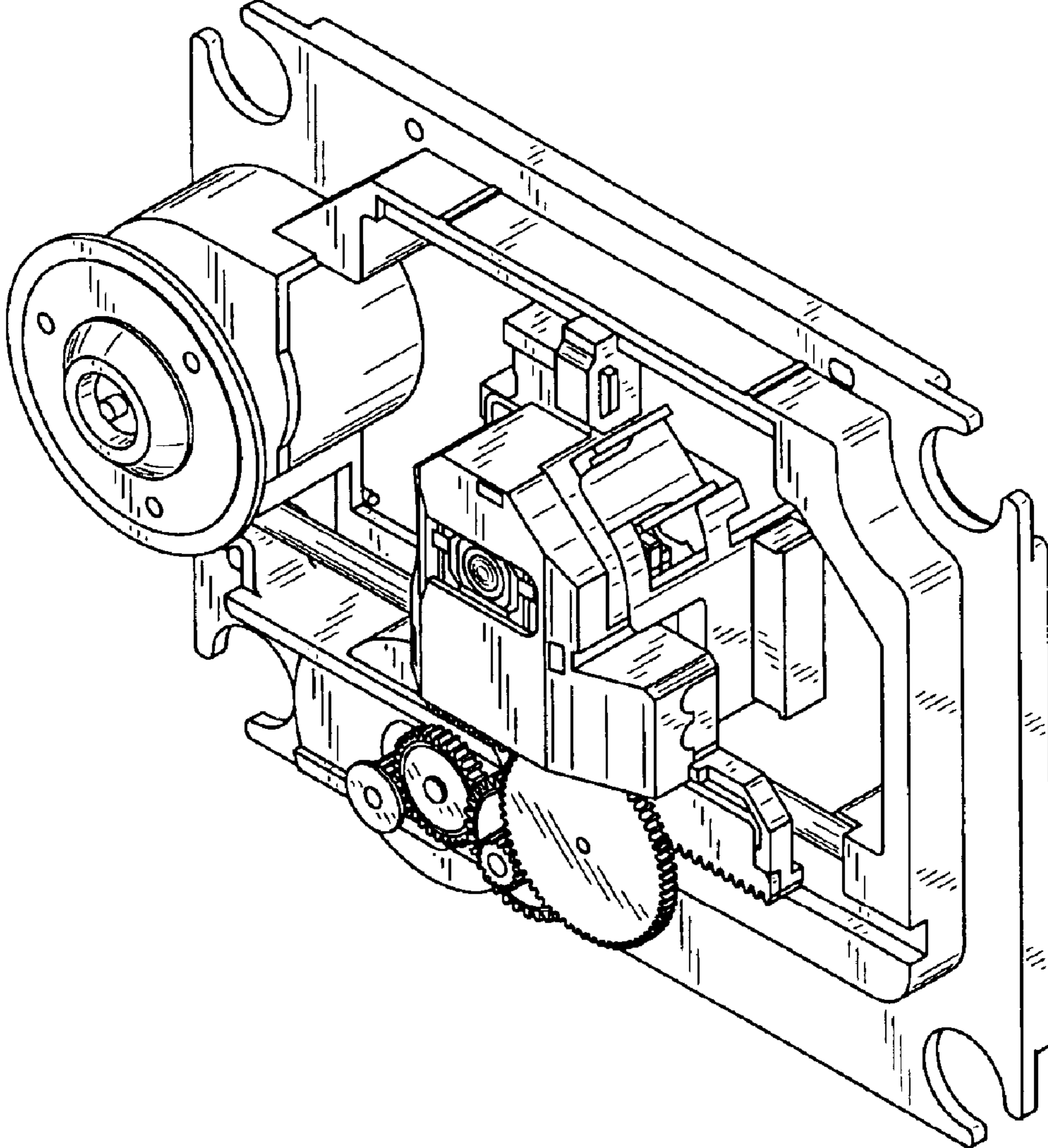


FIG. 1

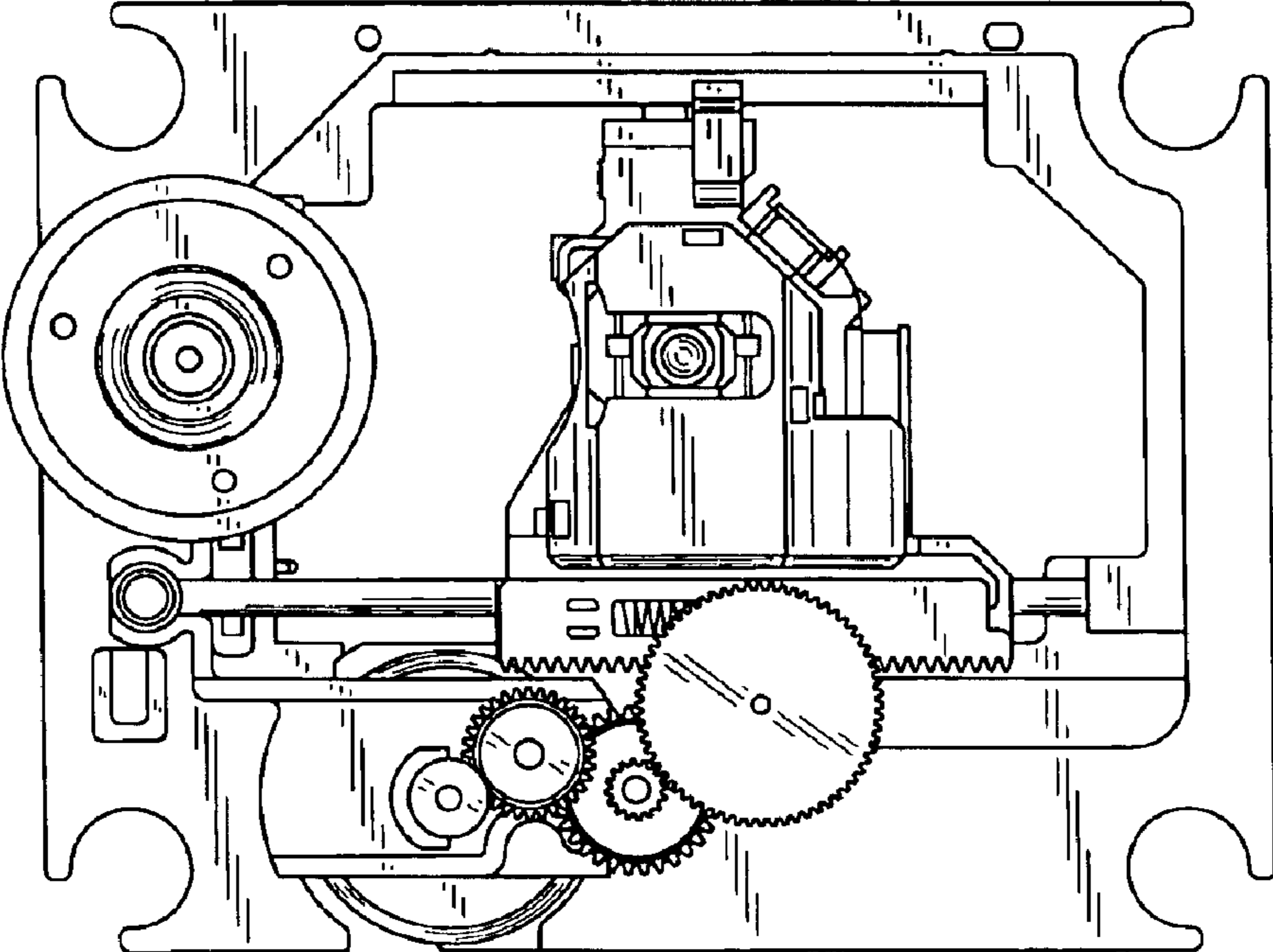


FIG. 2

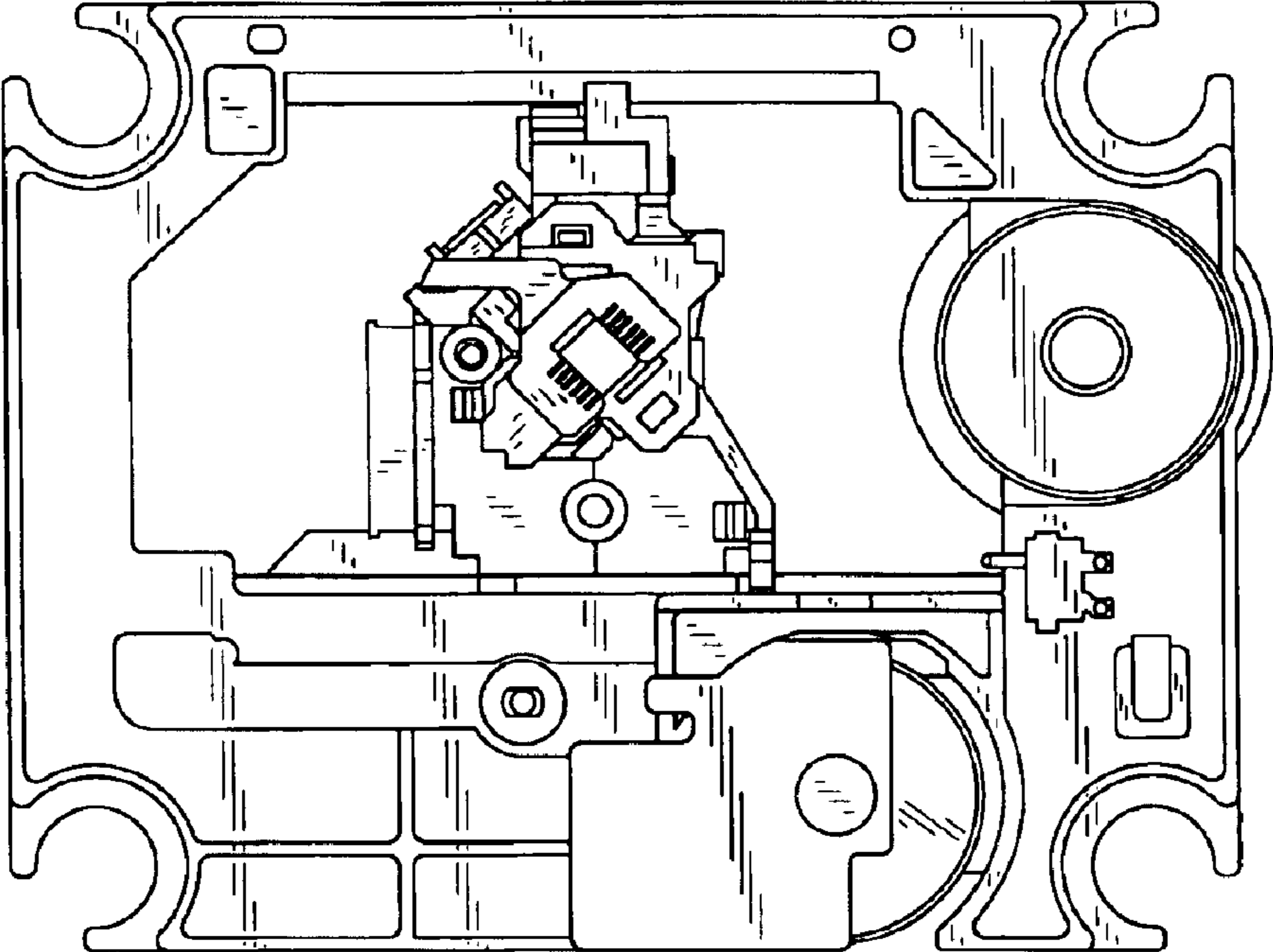


FIG. 3

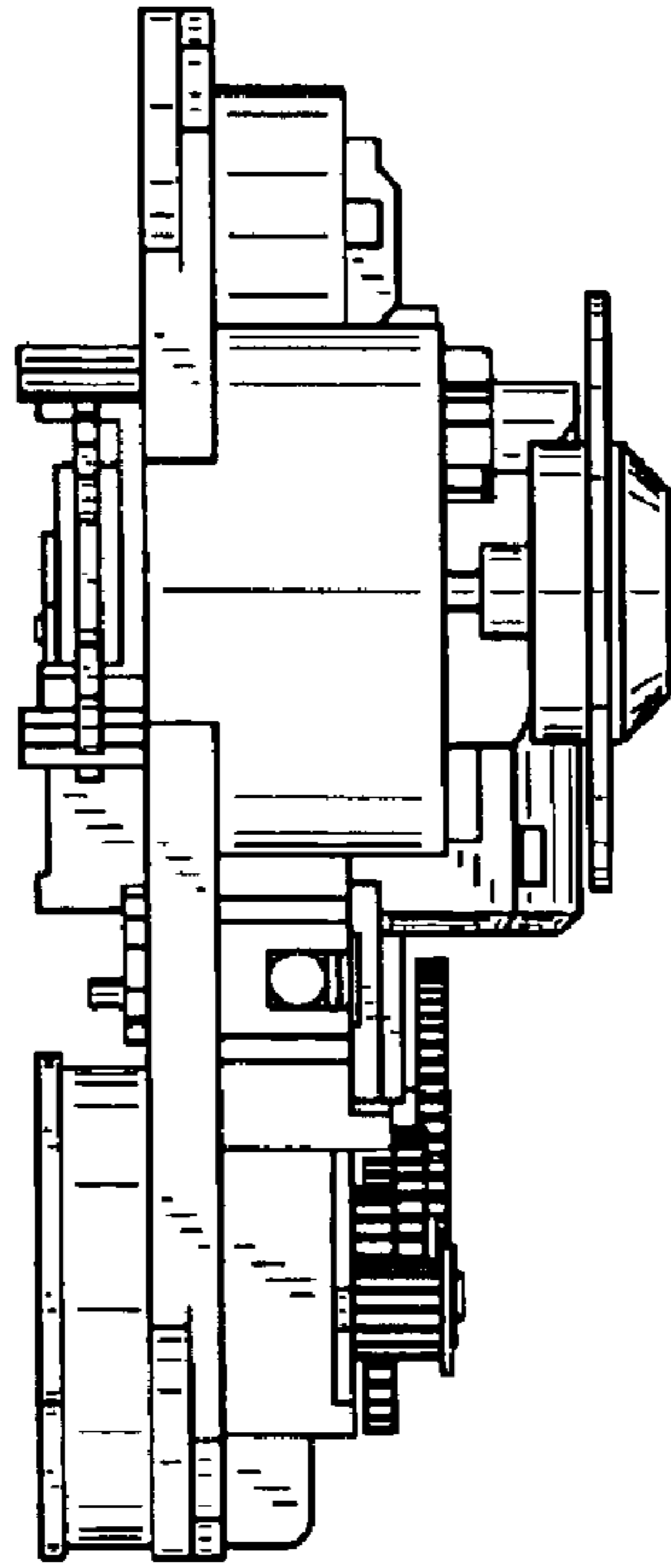


FIG. 4

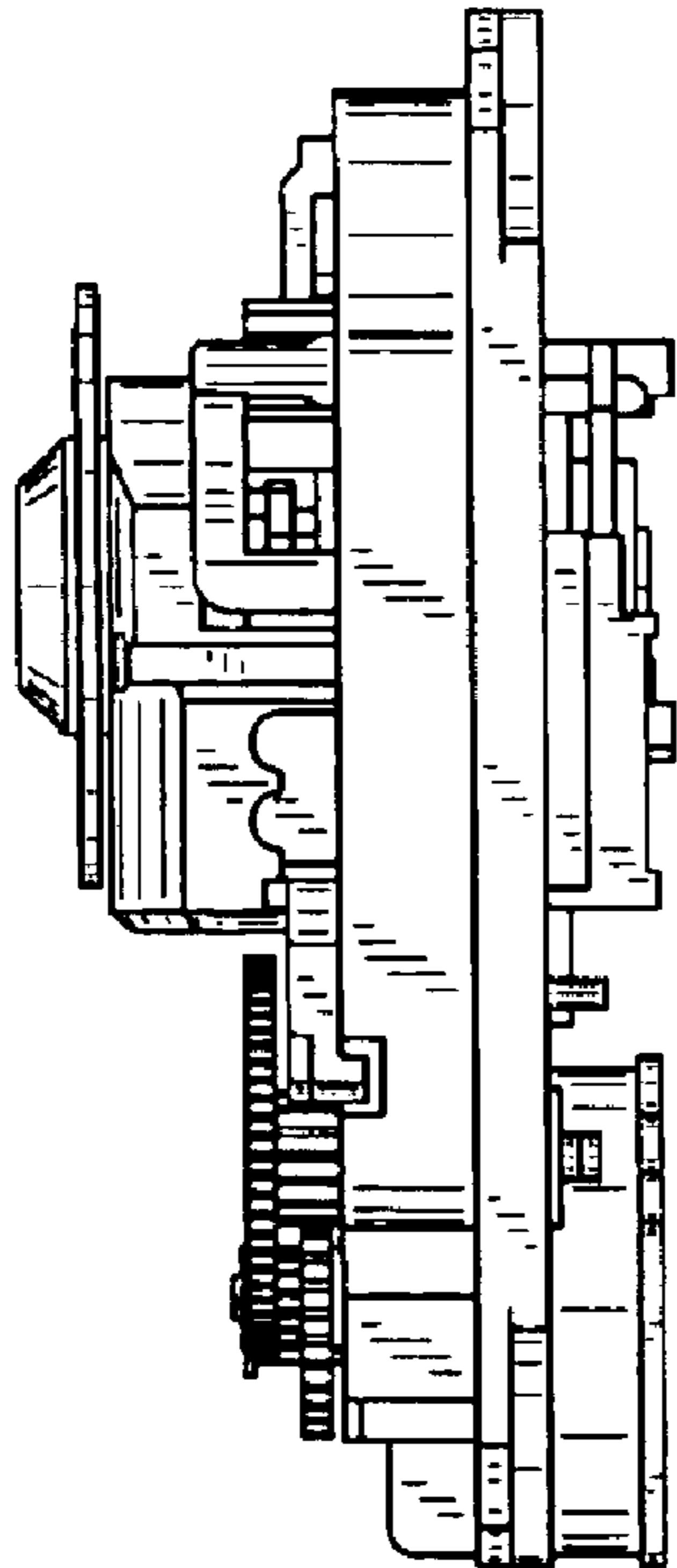


FIG. 5

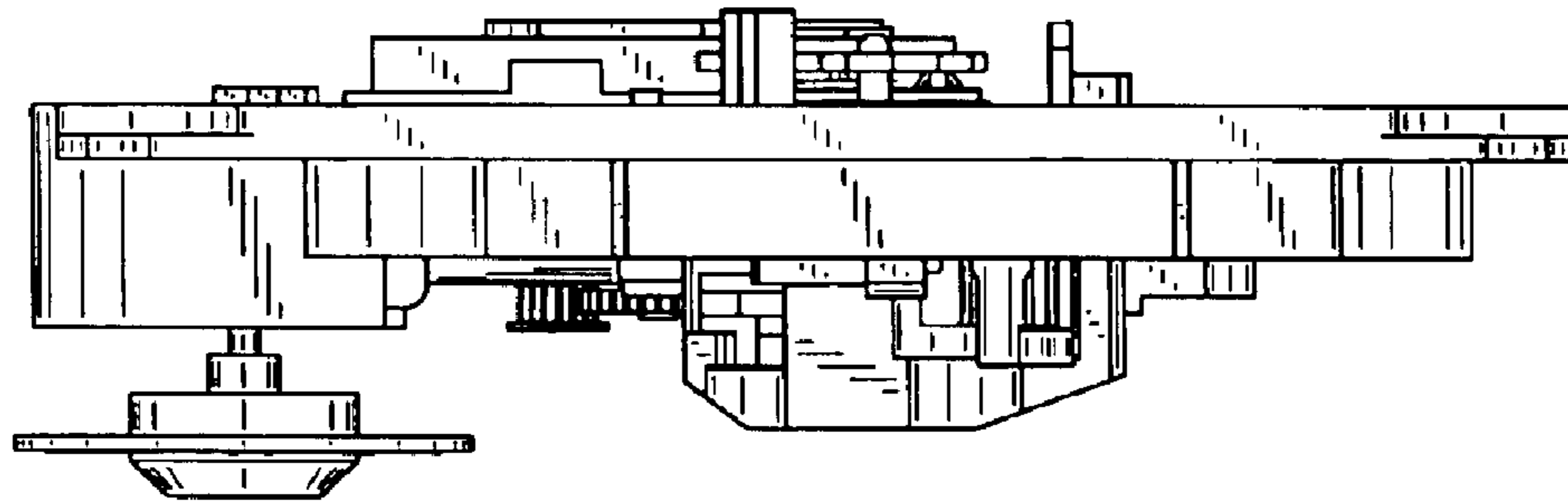


FIG. 6

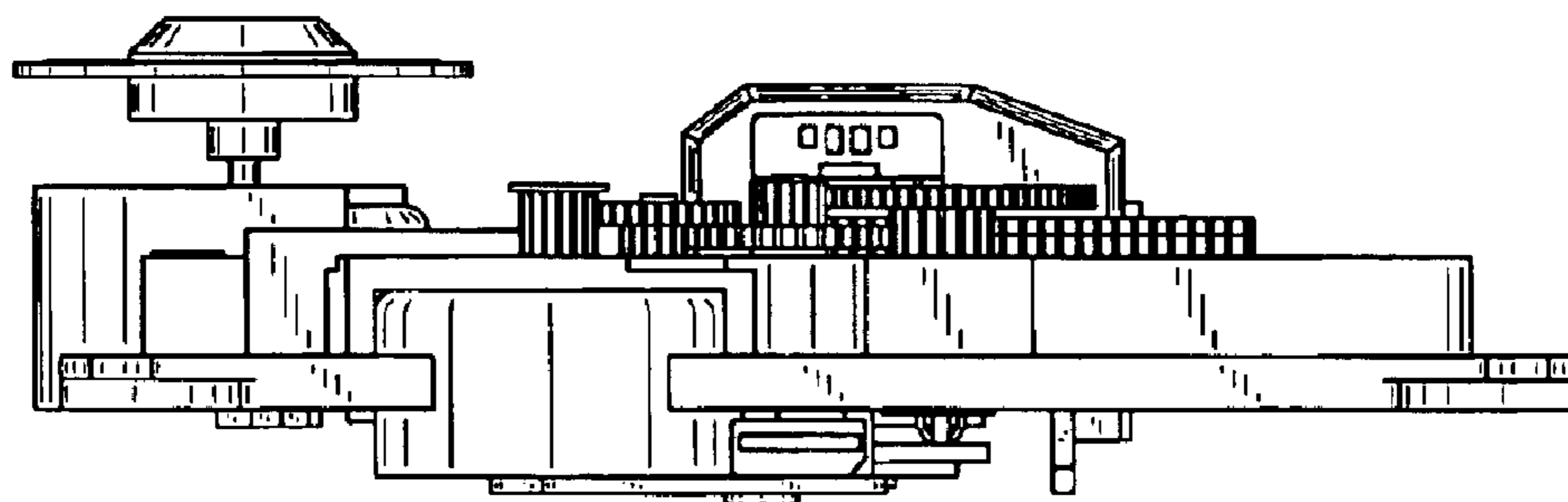


FIG. 7