



US00D506749S

(12) **United States Design Patent**  
**Sullivan et al.**

(10) **Patent No.:** **US D506,749 S**  
(45) **Date of Patent:** **\*\* Jun. 28, 2005**

(54) **UHF ANTENNA**

(75) Inventors: **Michael James Sullivan**, Carmel, IN (US); **David Michael Browning**, Indianapolis, IN (US)

(73) Assignee: **Thomson Licensing S.A.**, Indianapolis, IN (US)

(\*\*) Term: **14 Years**

(21) Appl. No.: **29/205,442**

(22) Filed: **May 14, 2004**

(51) **LOC (8) Cl.** ..... **14-03**

(52) **U.S. Cl.** ..... **D14/230; D14/235**

(58) **Field of Search** ..... D14/137, 138, D14/230-238, 299, 358; D12/42, 43; 343/700 R-705, 871-908, 795, 840, 711-713, 819, 846; 455/90.2, 90.3, 91, 347, 128, 269, 344, 562.1

(56) **References Cited**

**U.S. PATENT DOCUMENTS**

D98,652 S	*	2/1936	Lehmann	.....	D14/236
2,564,675 A	*	8/1951	Crook	.....	219/748
3,172,113 A	*	3/1965	Heinard et al.	.....	343/771
3,175,220 A	*	3/1965	Schetne	.....	343/872
D387,772 S	*	12/1997	Steinberg	.....	D14/230

\* cited by examiner

*Primary Examiner*—Louis S. Zarfaz  
*Assistant Examiner*—John Windmuller

(74) *Attorney, Agent, or Firm*—Fletcher Yoder

(57) **CLAIM**

The ornamental design for a UHF antenna, as shown and described.

**DESCRIPTION**

FIG. 1 is a front perspective view of the design for the UHF antenna having a number of environmental features, namely, a pair of vertical antennas, a pair of joints, a support stem, and a base;

FIG. 2 is a side perspective view of the design for the UHF antenna of FIG. 1, further illustrating the environmental pair of vertical antennas, pair of joints, support stem, and base introduced in FIG. 1;

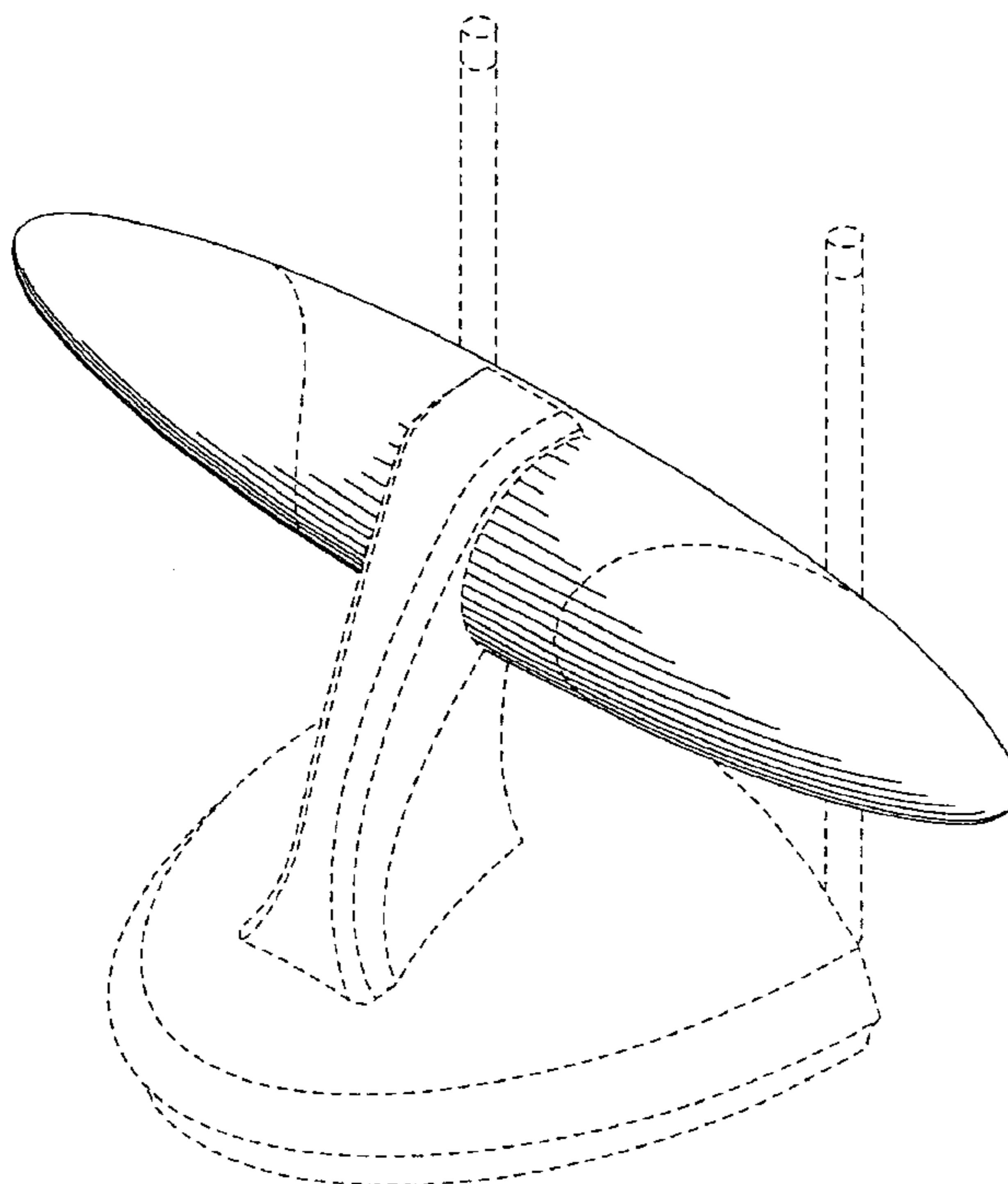
FIG. 3 is a front view of the design for the UHF antenna of FIG. 1, further illustrating the environmental pair of vertical antennas, pair of joints, support stem, and base introduced in FIG. 1; and,

FIG. 4 is a rear view of the design for the UHF antenna of FIG. 1, further illustrating the environmental pair of vertical antennas, pair of joints, support stem, and base introduced in FIG. 1.

In the above listed figures, the broken lines showing of a pair of vertical antennas, a pair of joints, a support system, and a base are for illustrative purposes only and form no part of the claimed design.

The broken line showing of a pair of vertical antennas, a pair of joints, a support stem, and a base is for illustrative purposes only and forms no part of the claimed design.

**1 Claim, 3 Drawing Sheets**



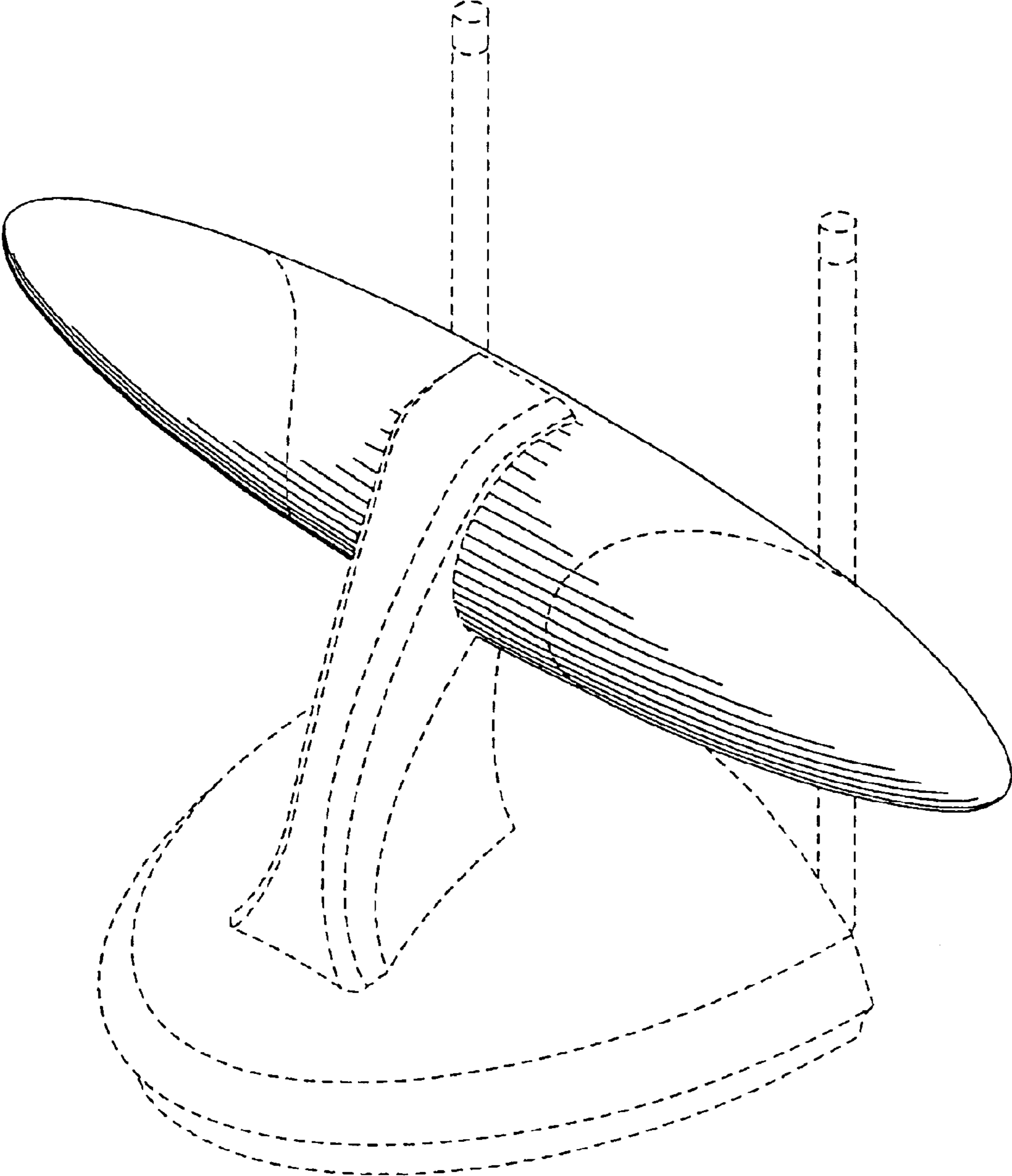


FIG. 1

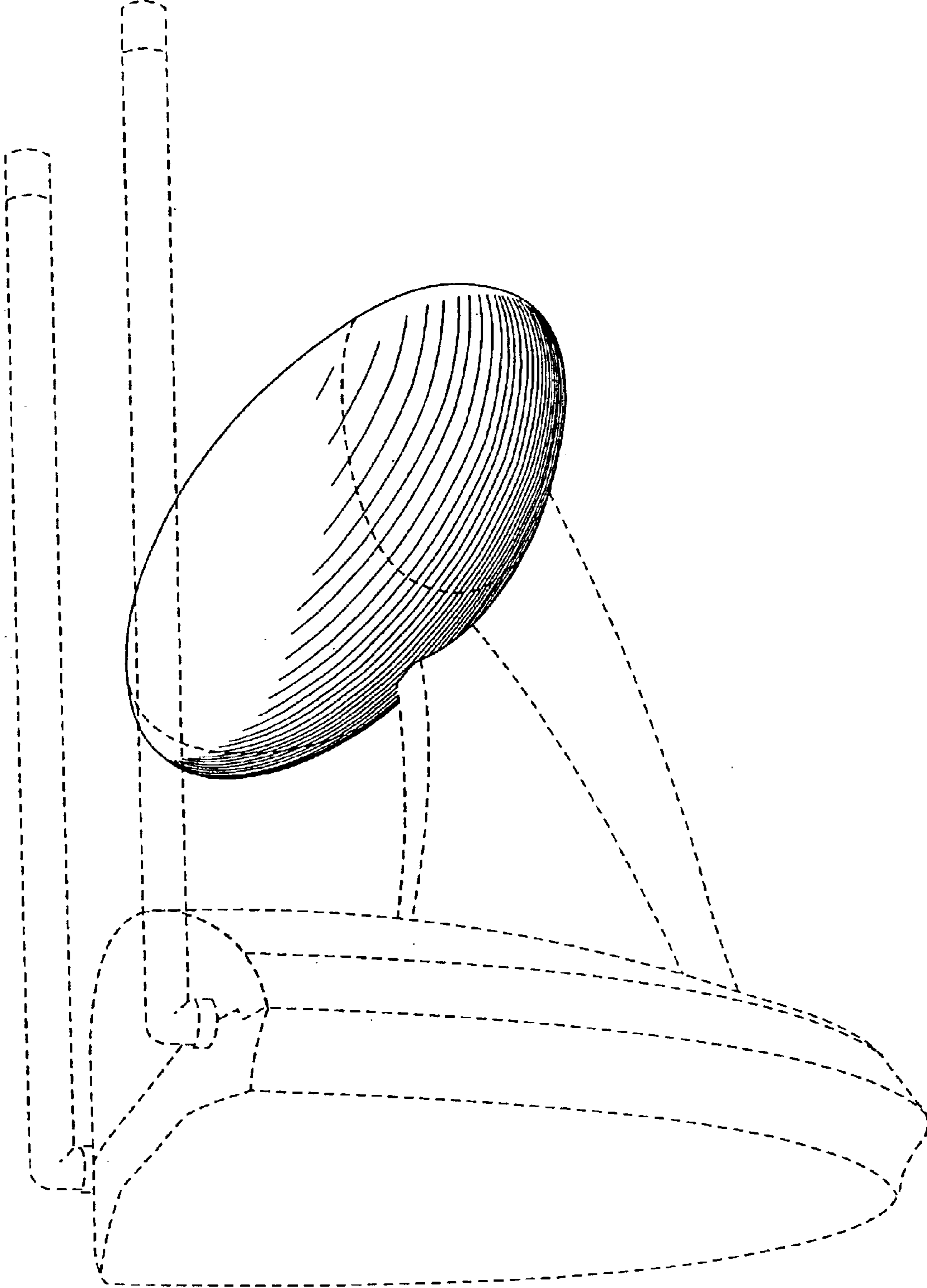


FIG. 2

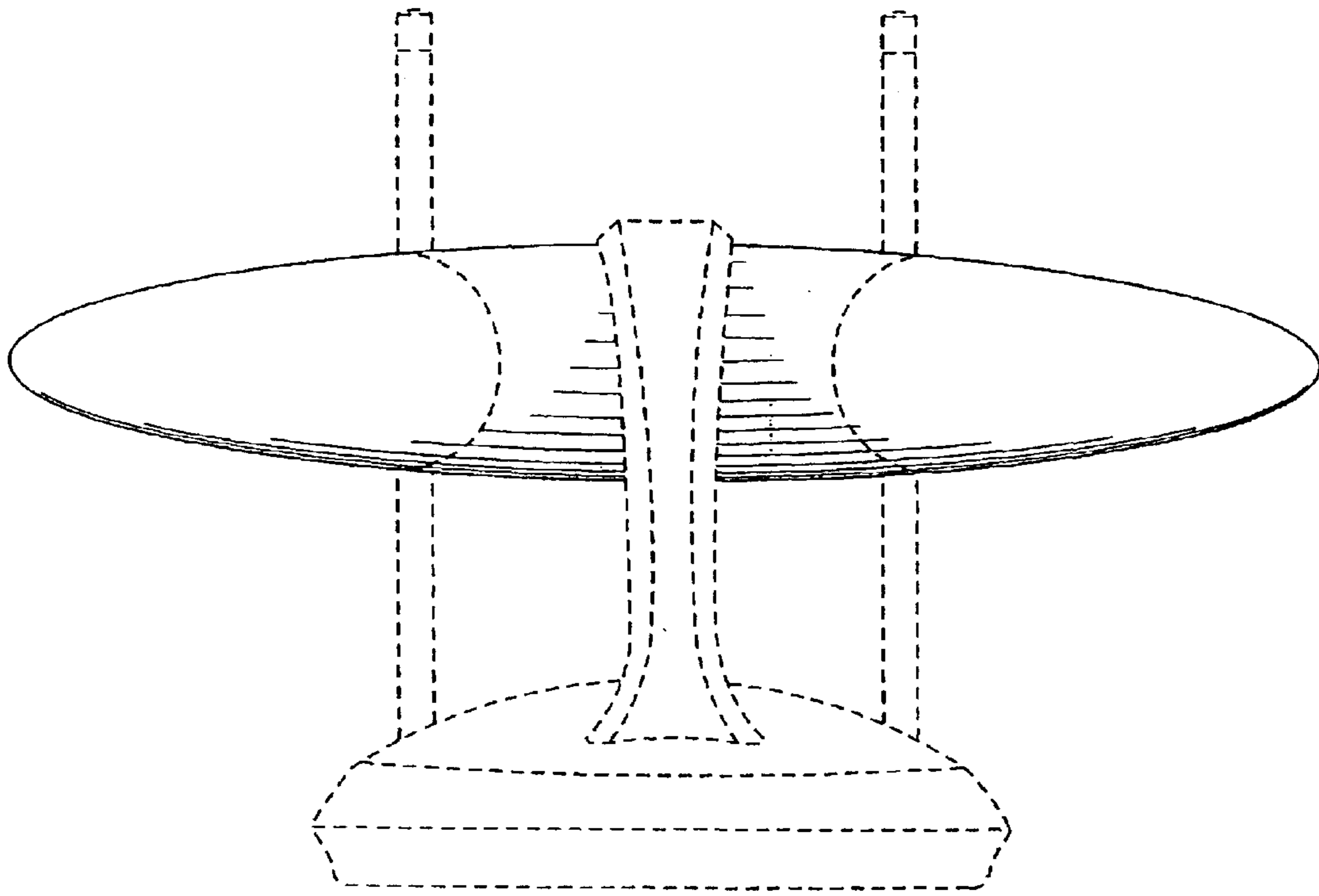


FIG. 3

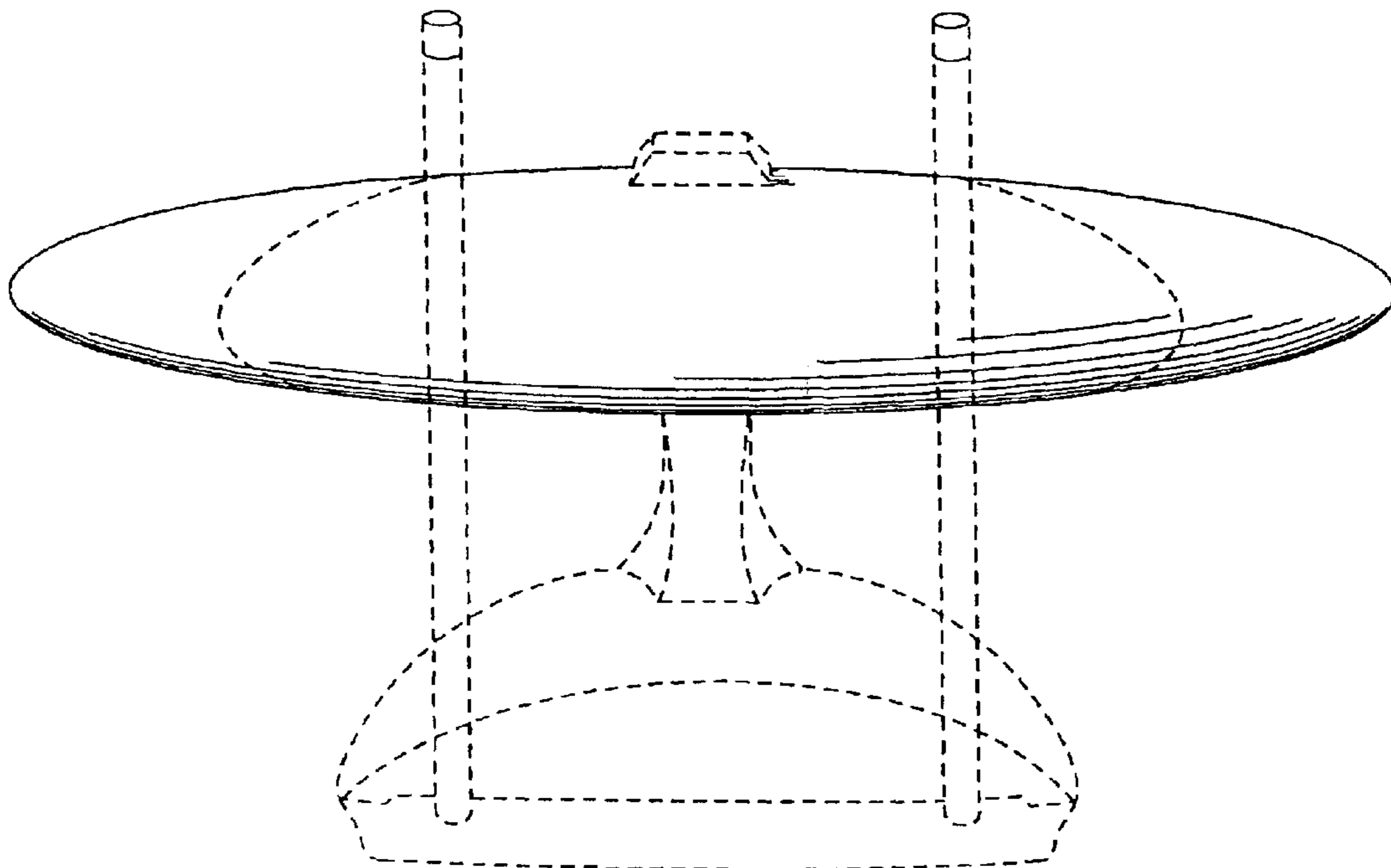


FIG. 4