

US00D506748S

(12) **United States Design Patent**  
**Garretson et al.**

(10) **Patent No.: US D506,748 S**  
(45) **Date of Patent: \*\* Jun. 28, 2005**

(54) **LOUDSPEAKER SPINNER**

(75) Inventors: **Joseph K. Garretson**, Oxnard, CA  
(US); **Lewis C. Iby**, Westland Village,  
CA (US)

(73) Assignee: **Scosche Industries, Inc.**, Oxnard, CA  
(US)

(\*\*) Term: **14 Years**

(21) Appl. No.: **29/205,167**

(22) Filed: **May 11, 2004**

(51) **LOC (8) Cl.** ..... **14-01**

(52) **U.S. Cl.** ..... **D14/221**

(58) **Field of Search** ..... D14/204, 207,  
D14/209-216, 219-221; 181/143-144,  
147-148, 150, 157, 198-199, 151, 153;  
381/300-302, 306, 333, 345, 361-364,  
386-388, 332, 336

(56) **References Cited**

**U.S. PATENT DOCUMENTS**

D73,261 S \* 8/1927 Kingsford ..... D14/219

D186,669 S \* 11/1959 Richards et al. .... D14/212  
D449,293 S \* 10/2001 Irby et al. .... D14/219  
D472,545 S \* 4/2003 Iijima et al. .... D14/219  
D480,710 S \* 10/2003 Rivera ..... D14/219

\* cited by examiner

*Primary Examiner*—Nanda Bondade

(74) *Attorney, Agent, or Firm*—William W. Haefliger

(57) **CLAIM**

The ornamental design for a loudspeaker spinner, as shown and described.

**DESCRIPTION**

FIG. 1 is a perspective view showing top, front and right side of the loudspeaker spinner;

FIG. 2 is a top plan view thereof;

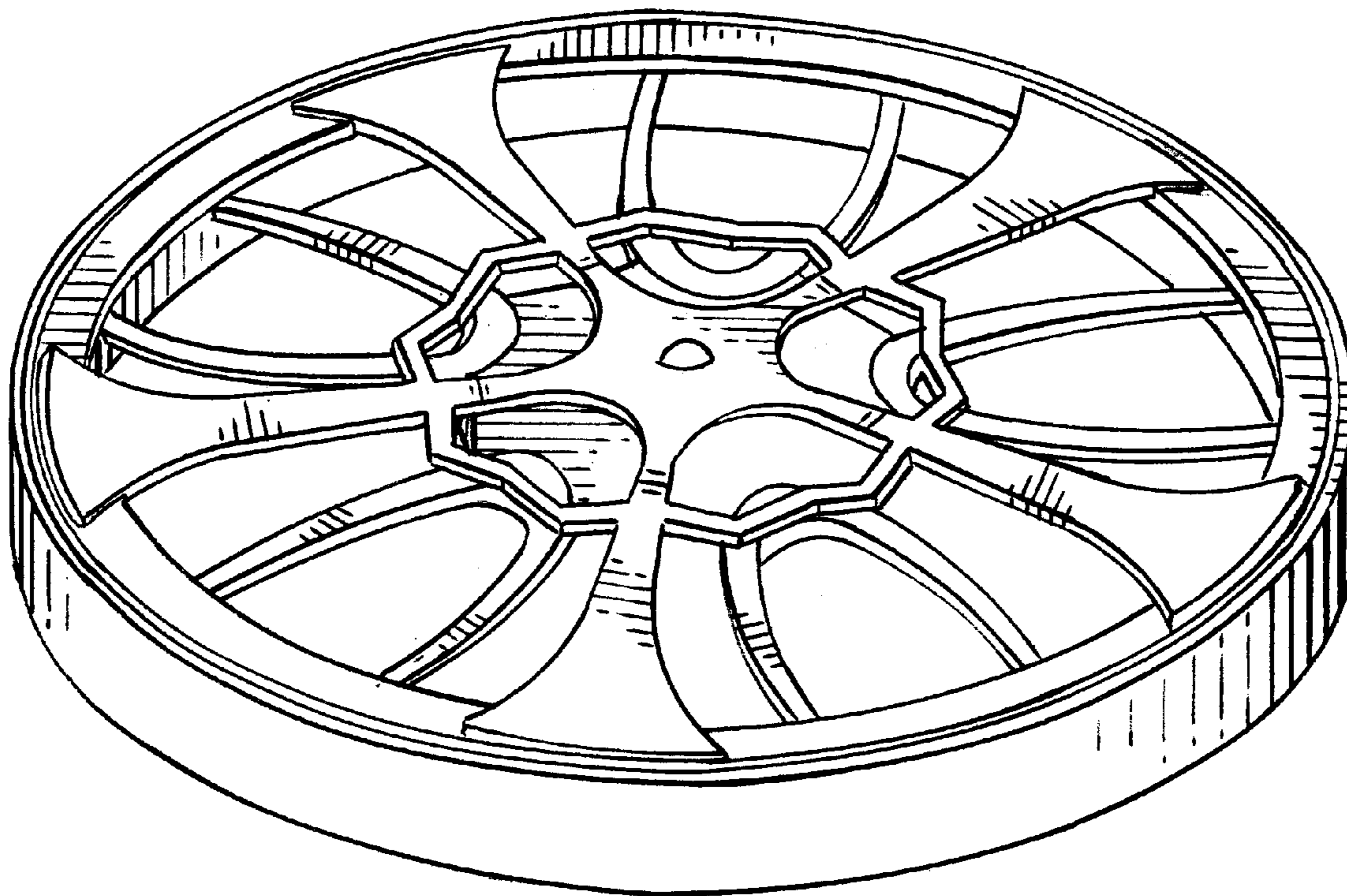
FIG. 3 is a bottom plan view thereof;

FIG. 4 is side elevational view thereof; and,

FIG. 5 is a section taken on line 5—5 of FIG. 3.

The broken line showing a loudspeaker on FIGS. 4 and 5 is for illustrative purposes only and forms no part of the claimed design.

**1 Claim, 4 Drawing Sheets**



*FIG. 1.*

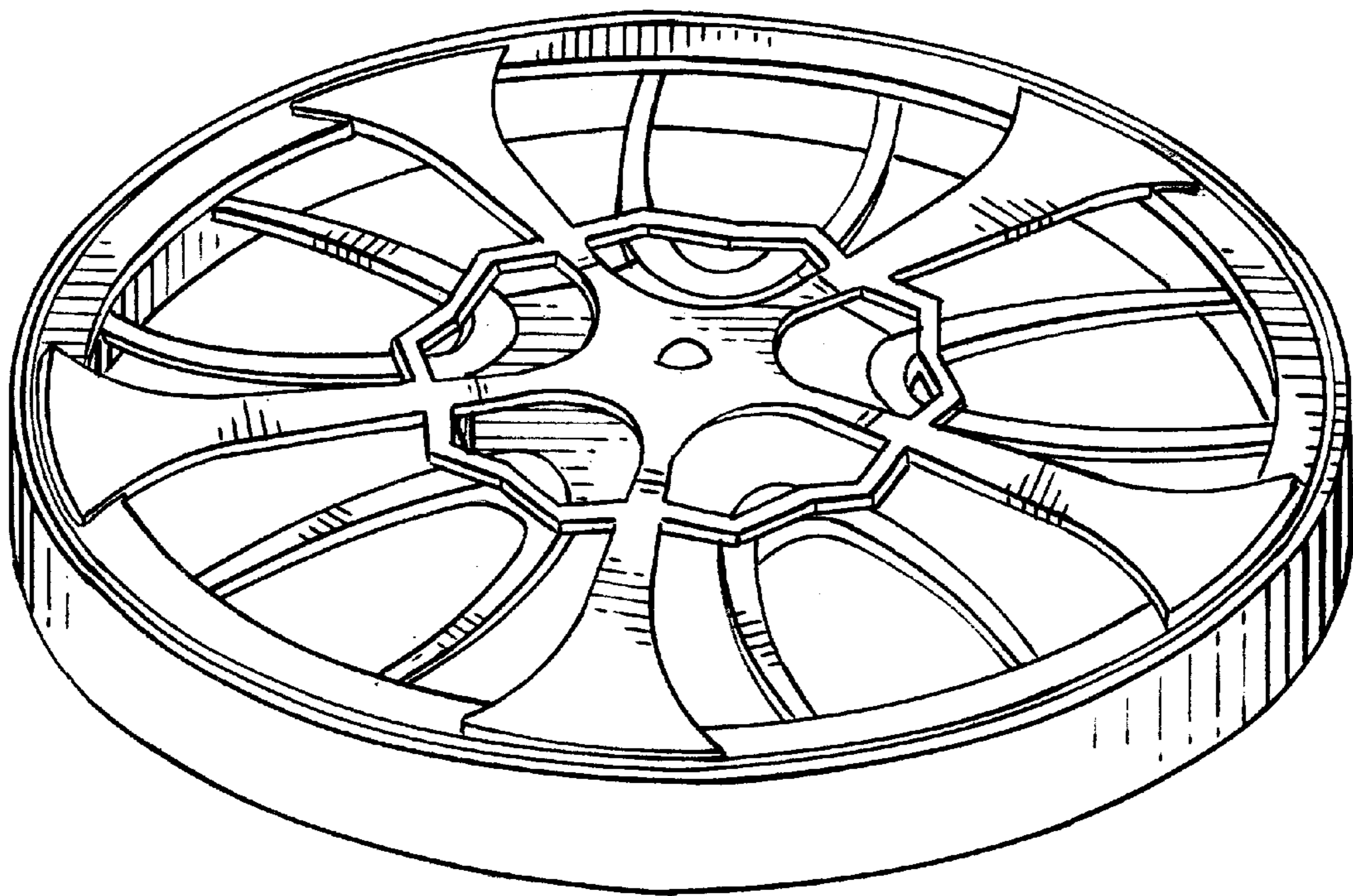
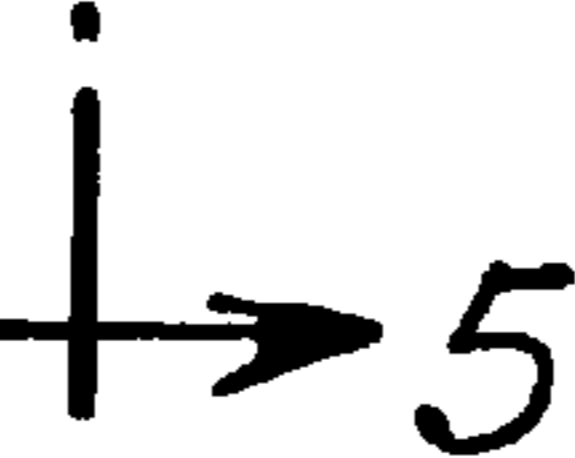
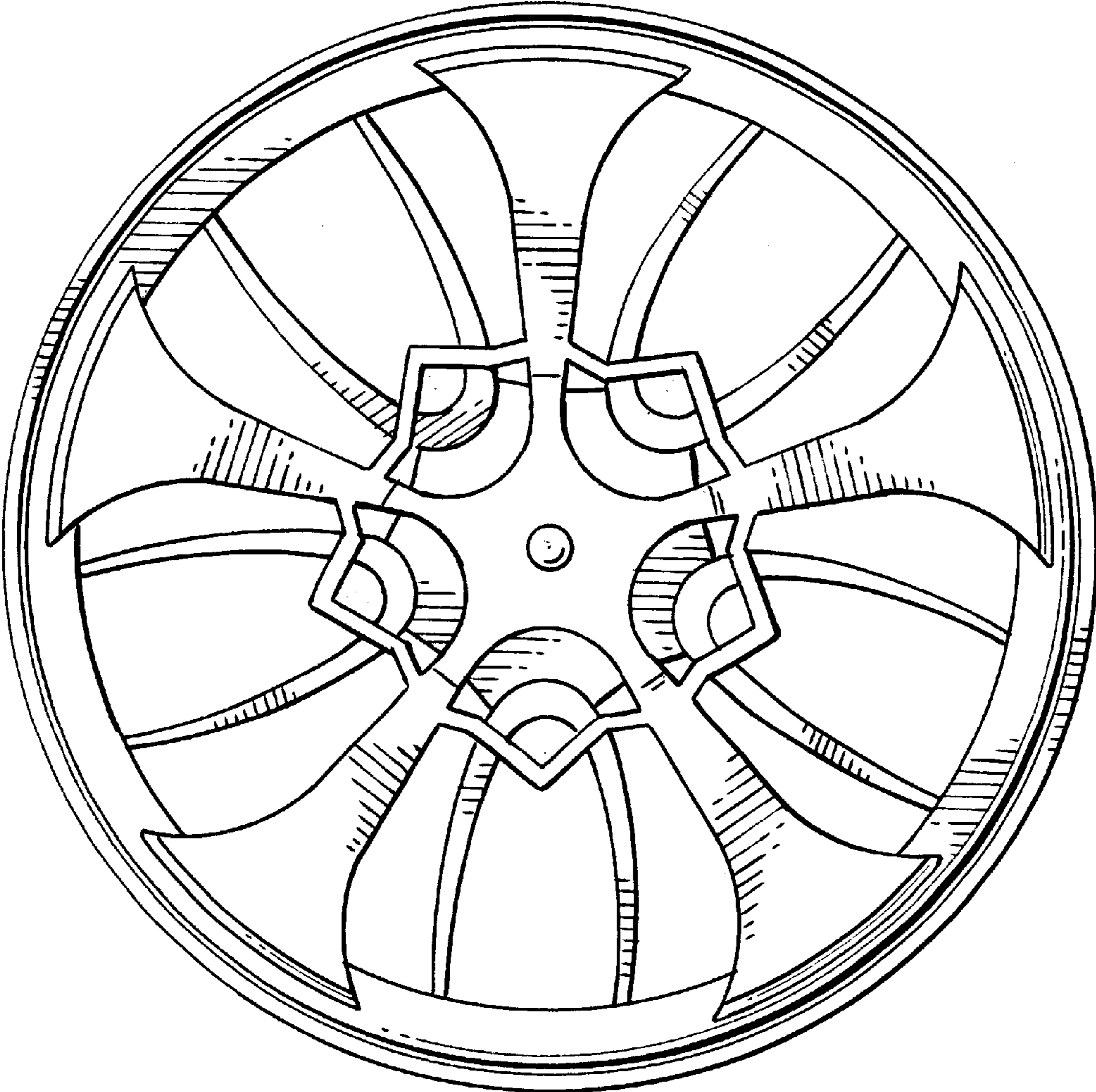
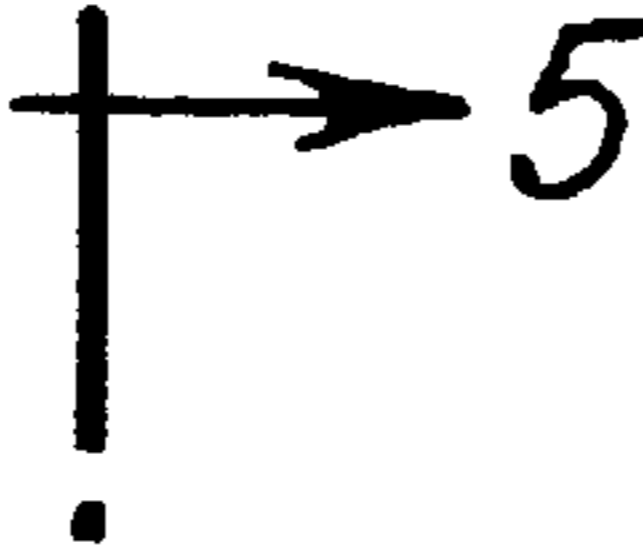


FIG. 2.



*FIG. 3.*

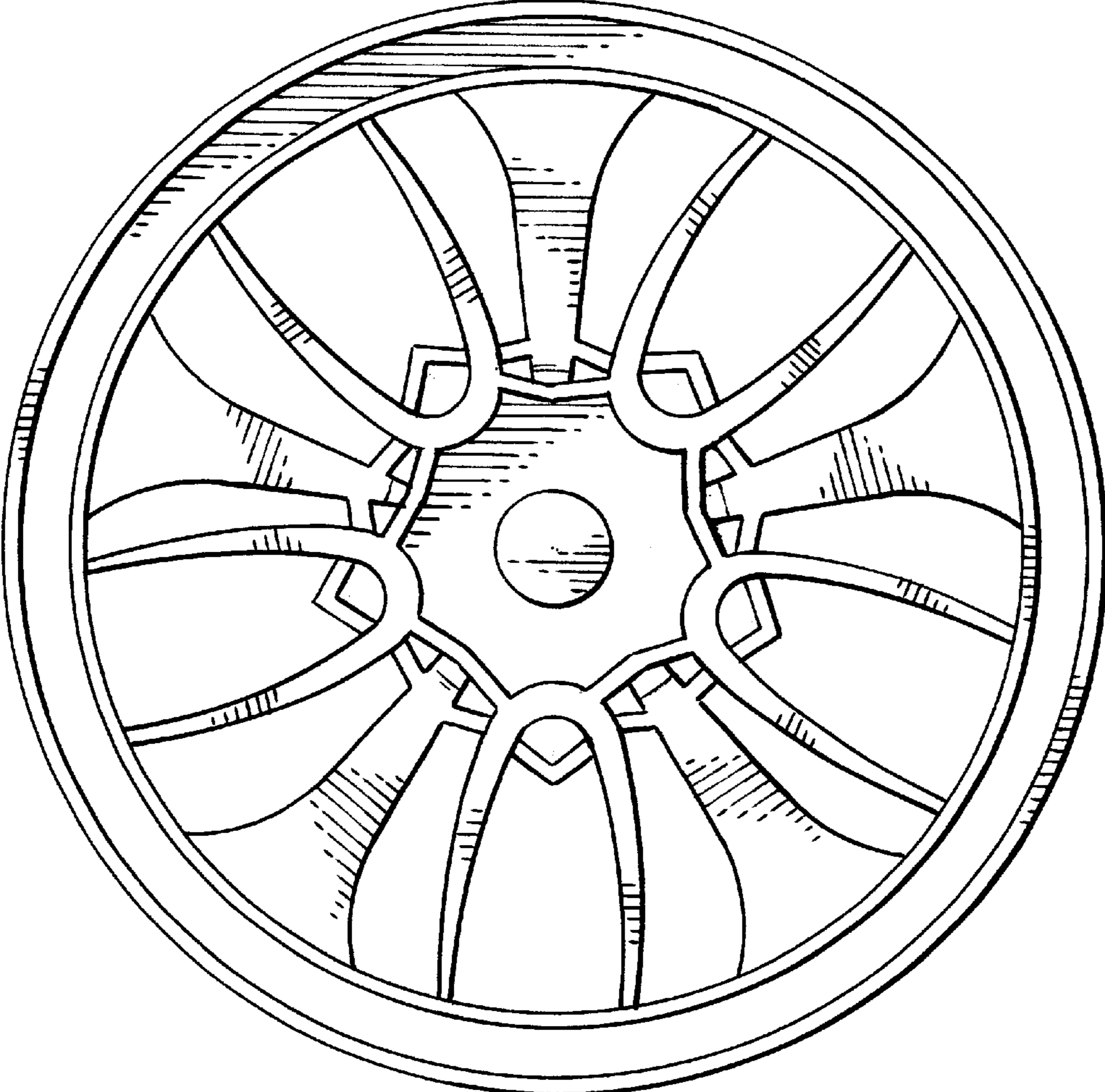


FIG. 5.

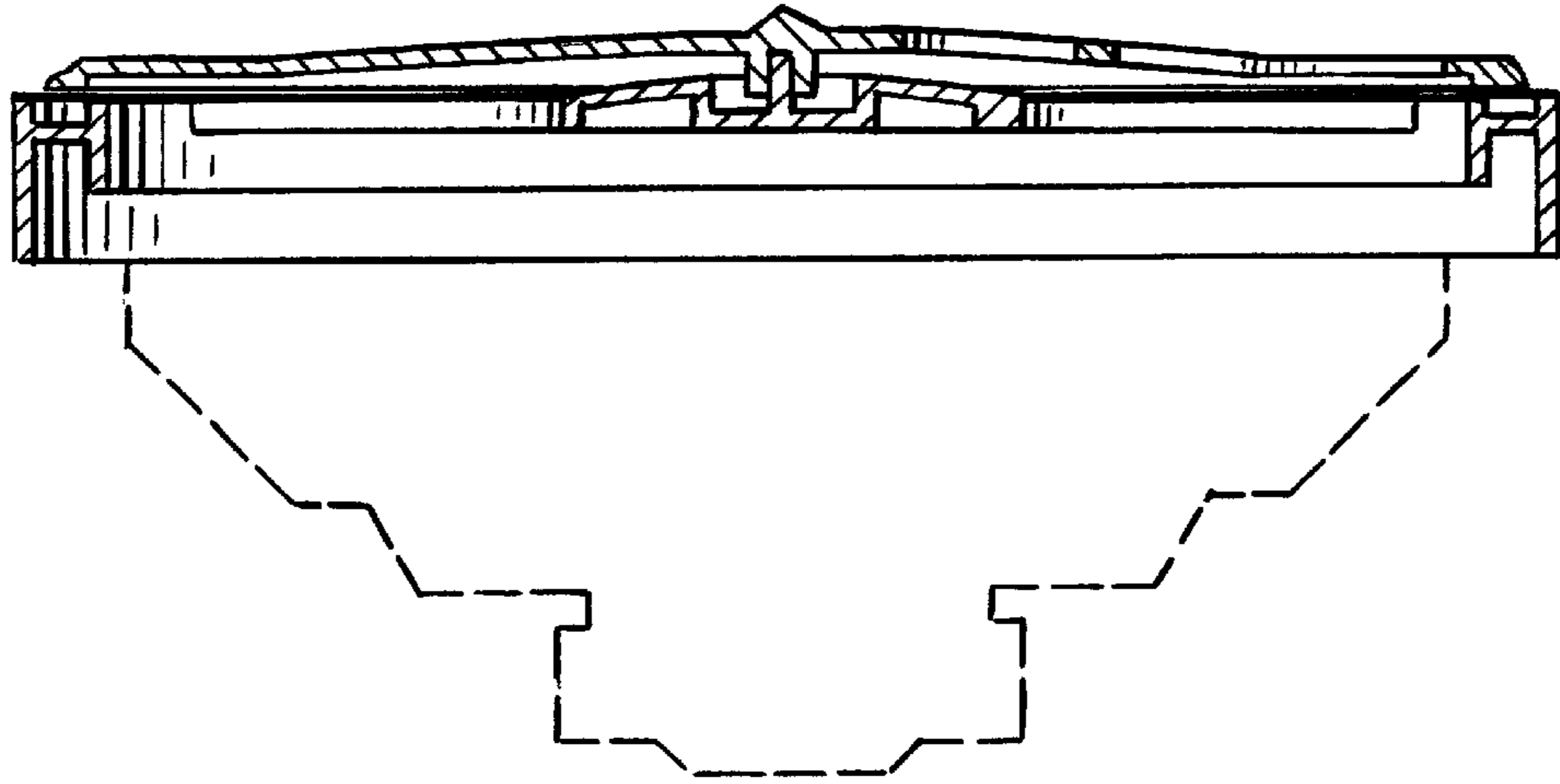


FIG. 4.

