



US00D506745S

(12) **United States Design Patent** (10) **Patent No.:** **US D506,745 S**
Sitoh (45) **Date of Patent:** **** Jun. 28, 2005**

(54) **LOUDSPEAKER UNIT**

(75) Inventor: **Yu Weng Alvin Sitoh**, Singapore (SG)

(73) Assignee: **Creative Technology Ltd.**, Singapore (SG)

(**) Term: **14 Years**

(21) Appl. No.: **29/202,027**

(22) Filed: **Mar. 23, 2004**

(51) **LOC (8) Cl.** **14-01**

(52) **U.S. Cl.** **D14/214; D14/211**

(58) **Field of Search** D14/204, 207,
D14/209–216, 356; 181/143–144, 147–148,
150, 157, 198–199, 151, 153; 381/300–302,
306, 333, 345, 361–364, 386–388, 332,
336

(56) **References Cited**

U.S. PATENT DOCUMENTS

D321,196 S	*	10/1991	Yamamoto	D14/211
D382,270 S	*	8/1997	Matsuoka	D14/214
D392,974 S	*	3/1998	Fenner et al.	D14/214
D417,217 S	*	11/1999	Heath	D14/215
D435,539 S	*	12/2000	Tsuge	D14/214
D484,489 S	*	12/2003	Matsuoka	D14/211
D485,257 S	*	1/2004	Allen	D14/215

OTHER PUBLICATIONS

Amazon.com web site featuring Altec Lansing 2100 2.1 Computer Speakers (3–Speaker, Black & Silver) for sale, Date first available for sale on Amazon: May 14, 2003, 3 pages.

Amazon.com web site featuring Harman Kardon Champagne 2.1 Computer Speakers (3–Speaker, Burgundy) for sale, Date first available for sale on Amazon: Jun. 21, 2002, 3 pages.

Amazon.com web site featuring TDK S 150 Tremor 2.1 Computer Speakers (3–Speaker, Black) for sale, Date first available for sale on Amazon: Apr. 8, 2002, 3 pages.

* cited by examiner

Primary Examiner—Nanda Bondade

(74) *Attorney, Agent, or Firm*—P. Francois de Villiers

(57) **CLAIM**

The ornamental design for a loudspeaker unit, substantially as shown and described.

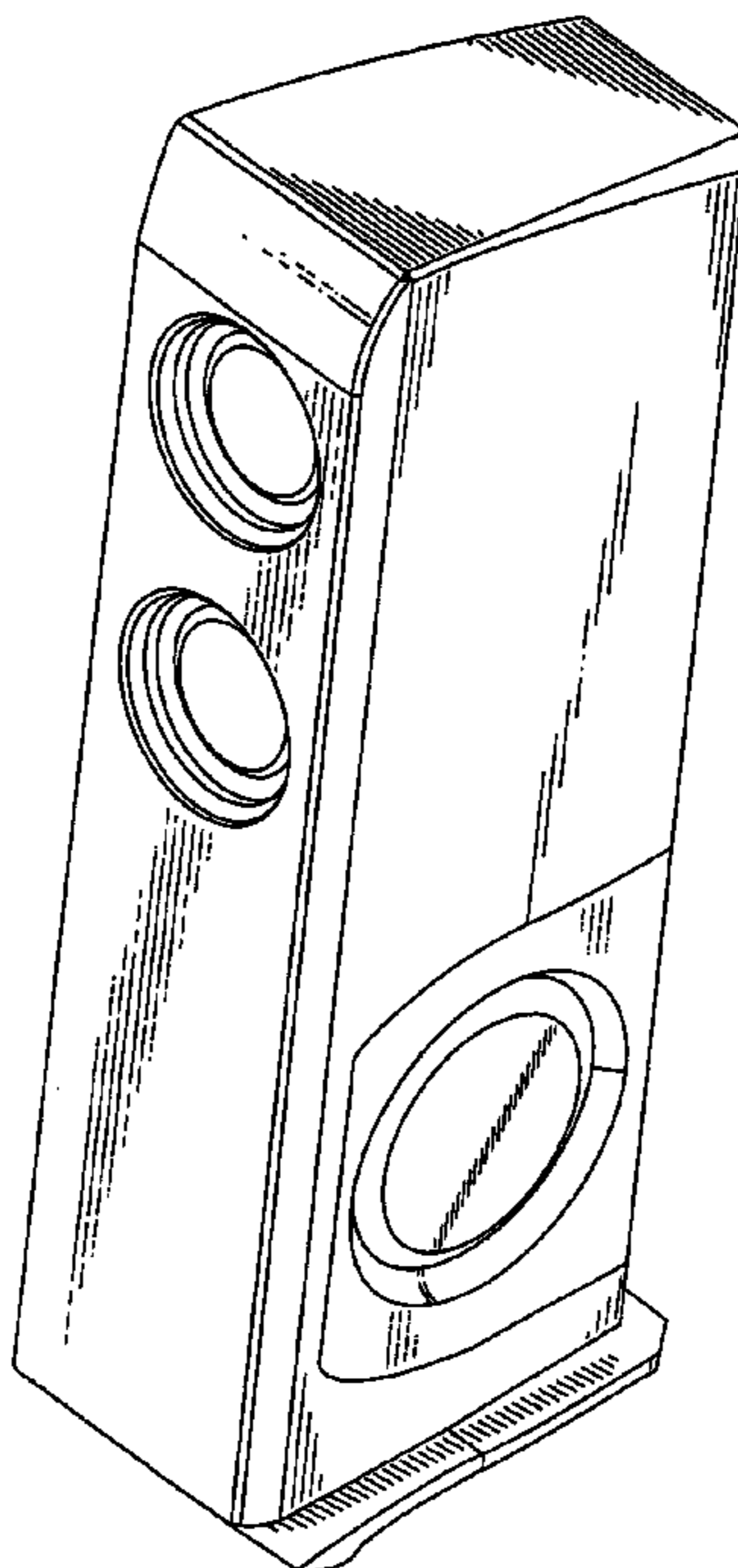
DESCRIPTION

FIG. 1 is a perspective view of a first embodiment of a loudspeaker unit showing my new design; FIG. 2 is a left side elevational view thereof; FIG. 3 is a right side elevational view thereof; FIG. 4 is a rear elevational view thereof; FIG. 5 is a front elevational view thereof; FIG. 6 is a bottom plan view thereof; and, FIG. 7 is a top plan view thereof.

The broken line showing on FIGS. 2–7 is for illustrative purposes only and forms no part of the claimed design.

A second embodiment of the loudspeaker unit is provided as a mirror image of the first. That is, the appearance of the left and right sides are interchanged in the second embodiment as compared to the first embodiment.

1 Claim, 4 Drawing Sheets



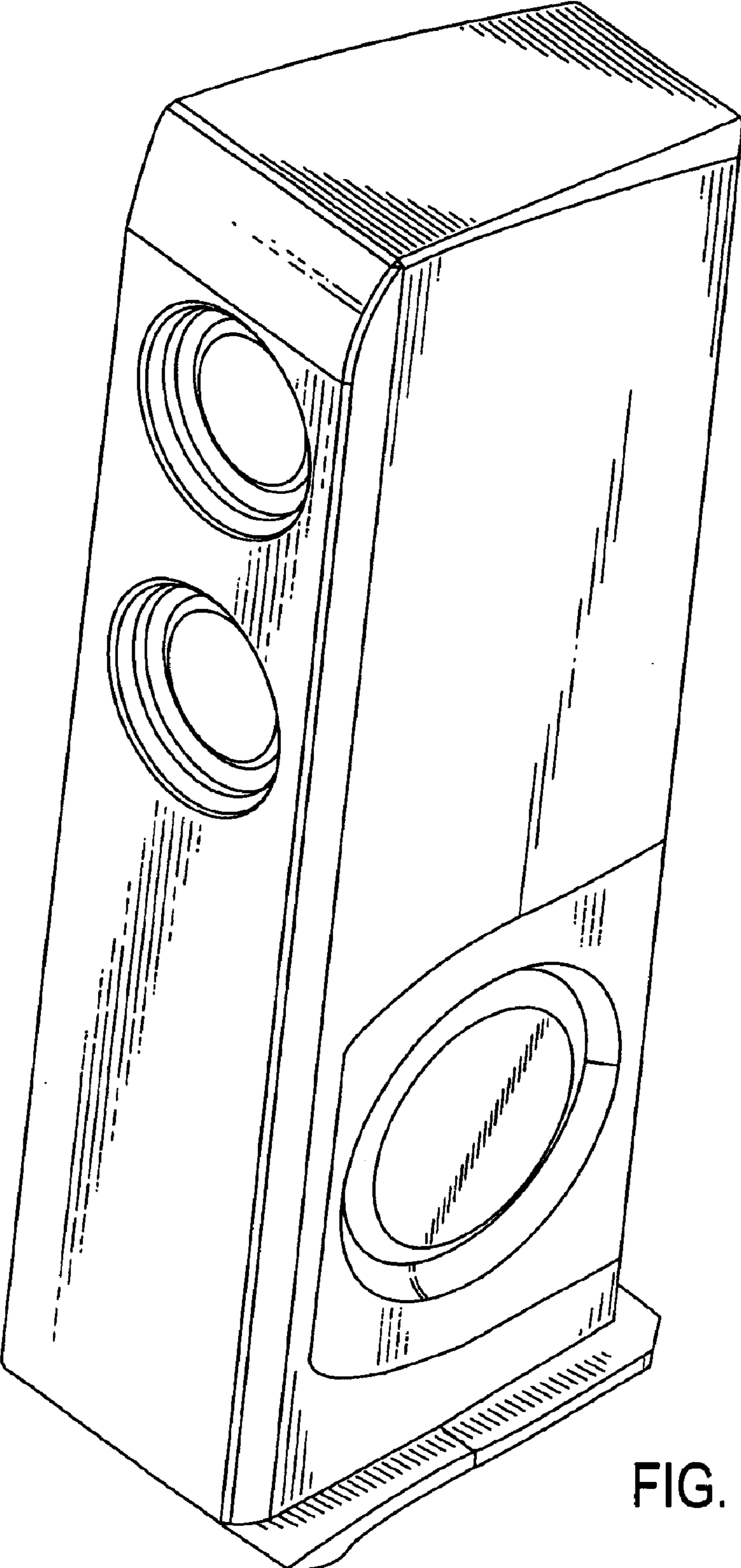


FIG. 1

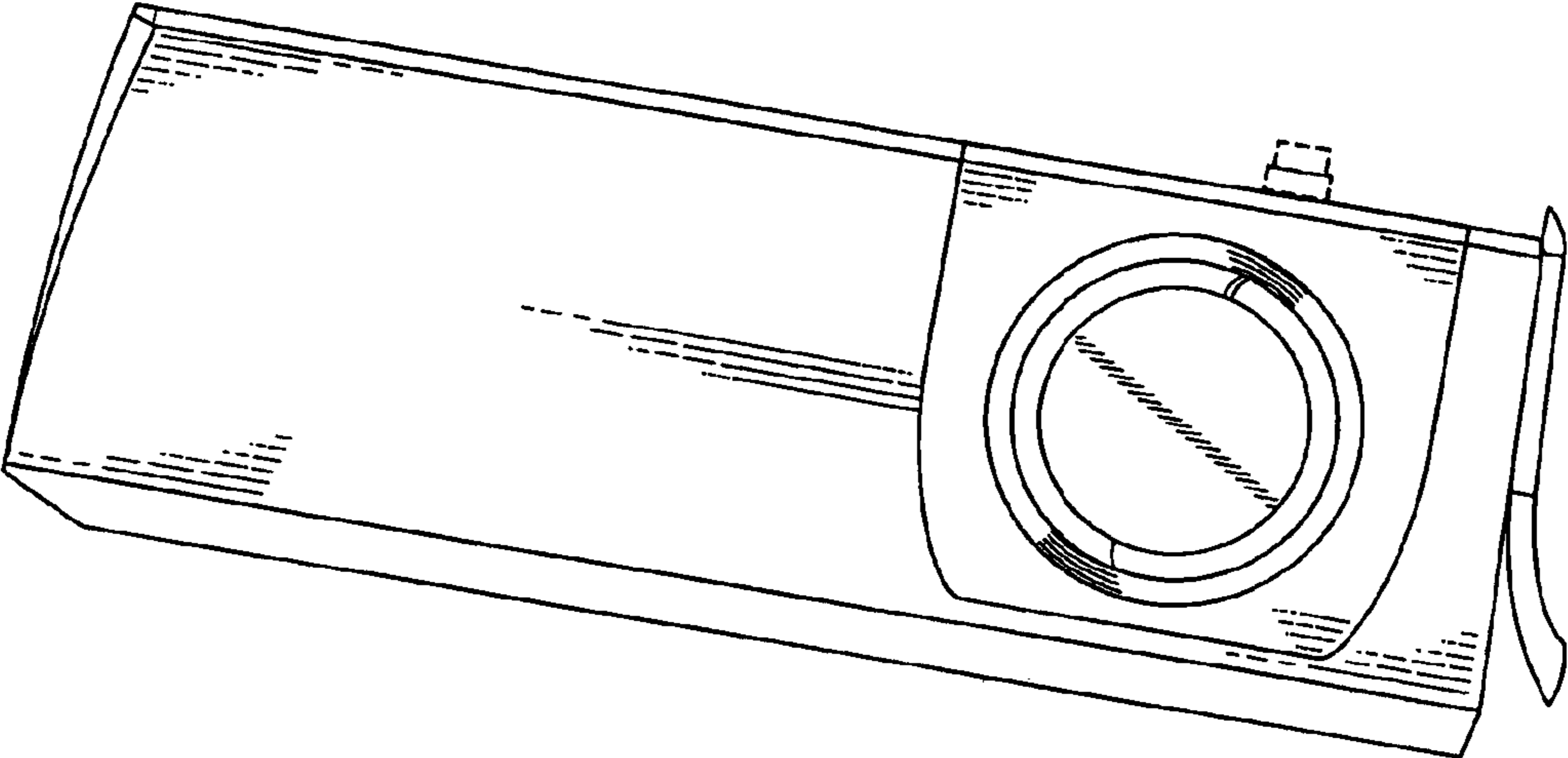


FIG. 3

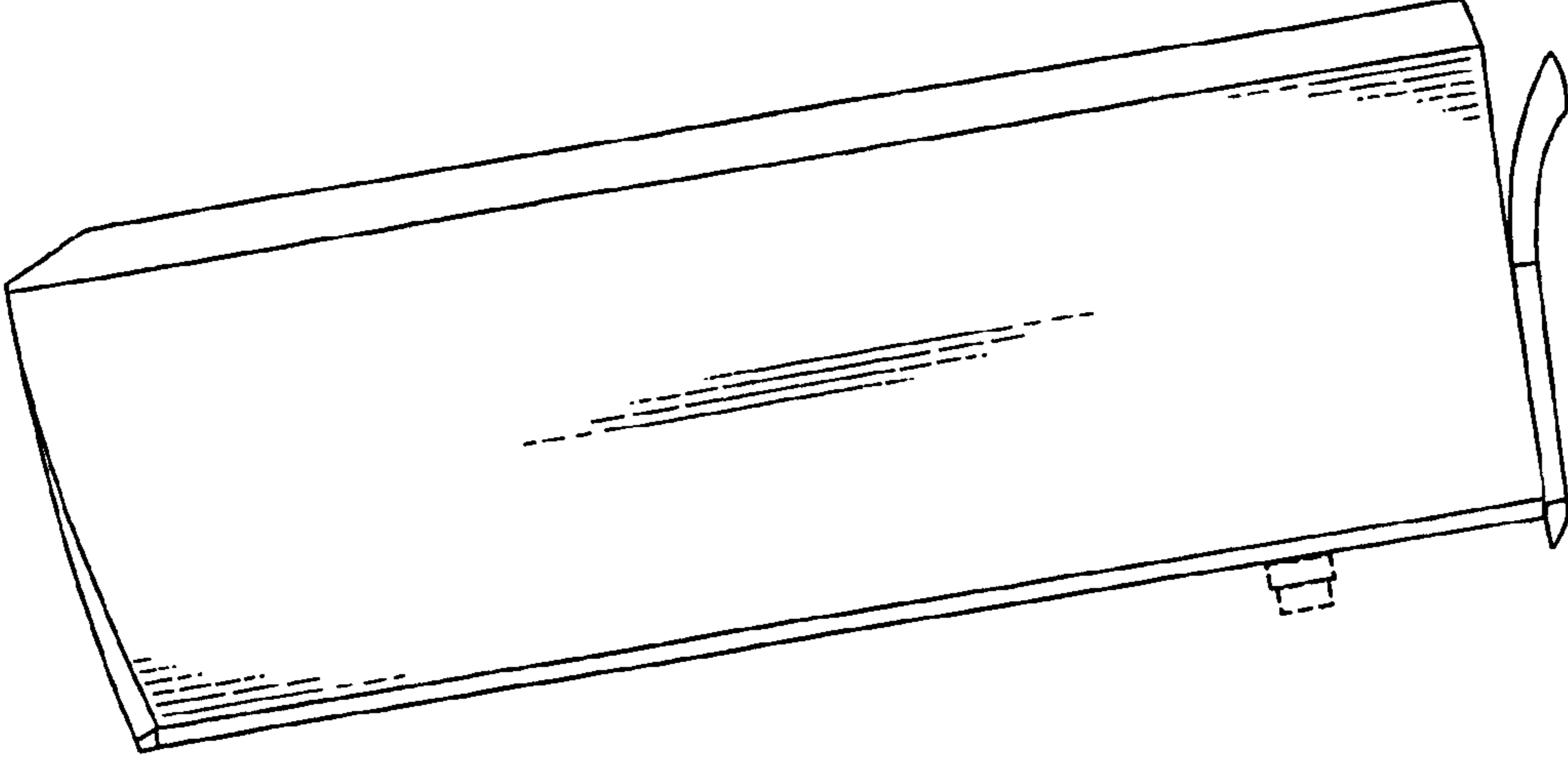


FIG. 2

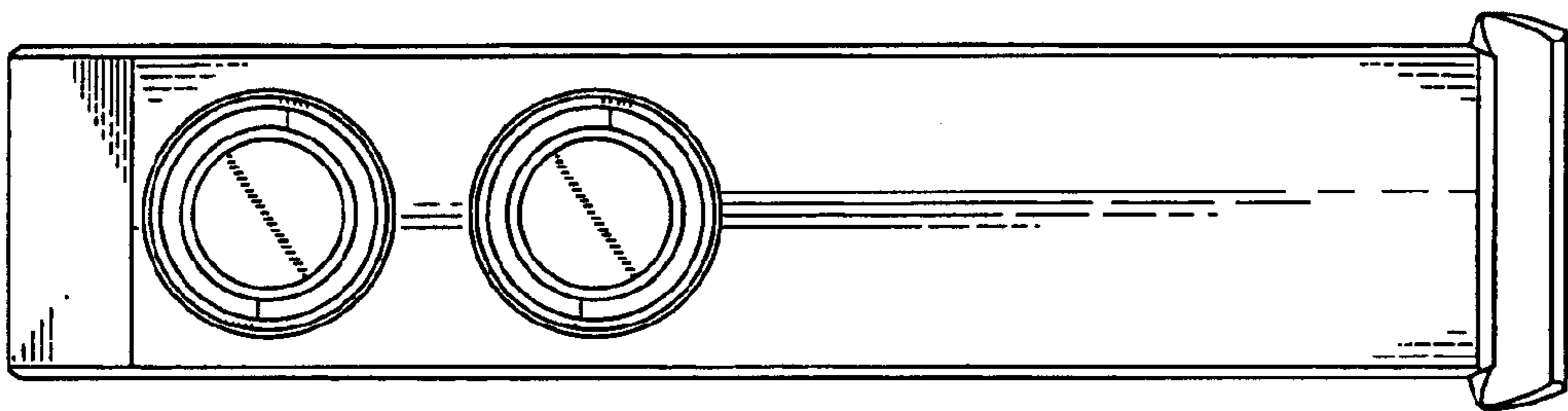


FIG. 5

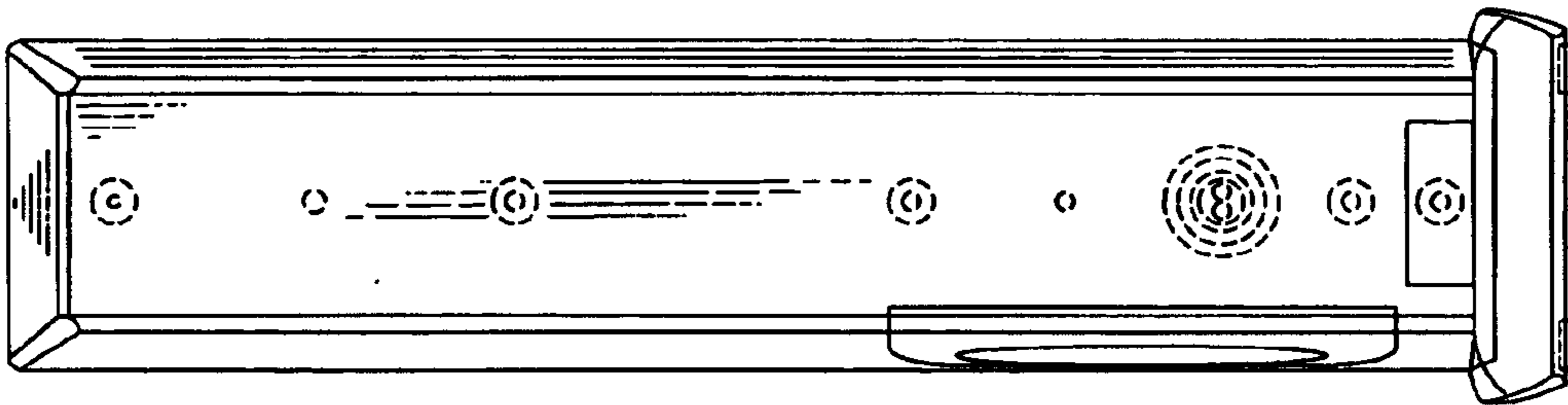


FIG. 4

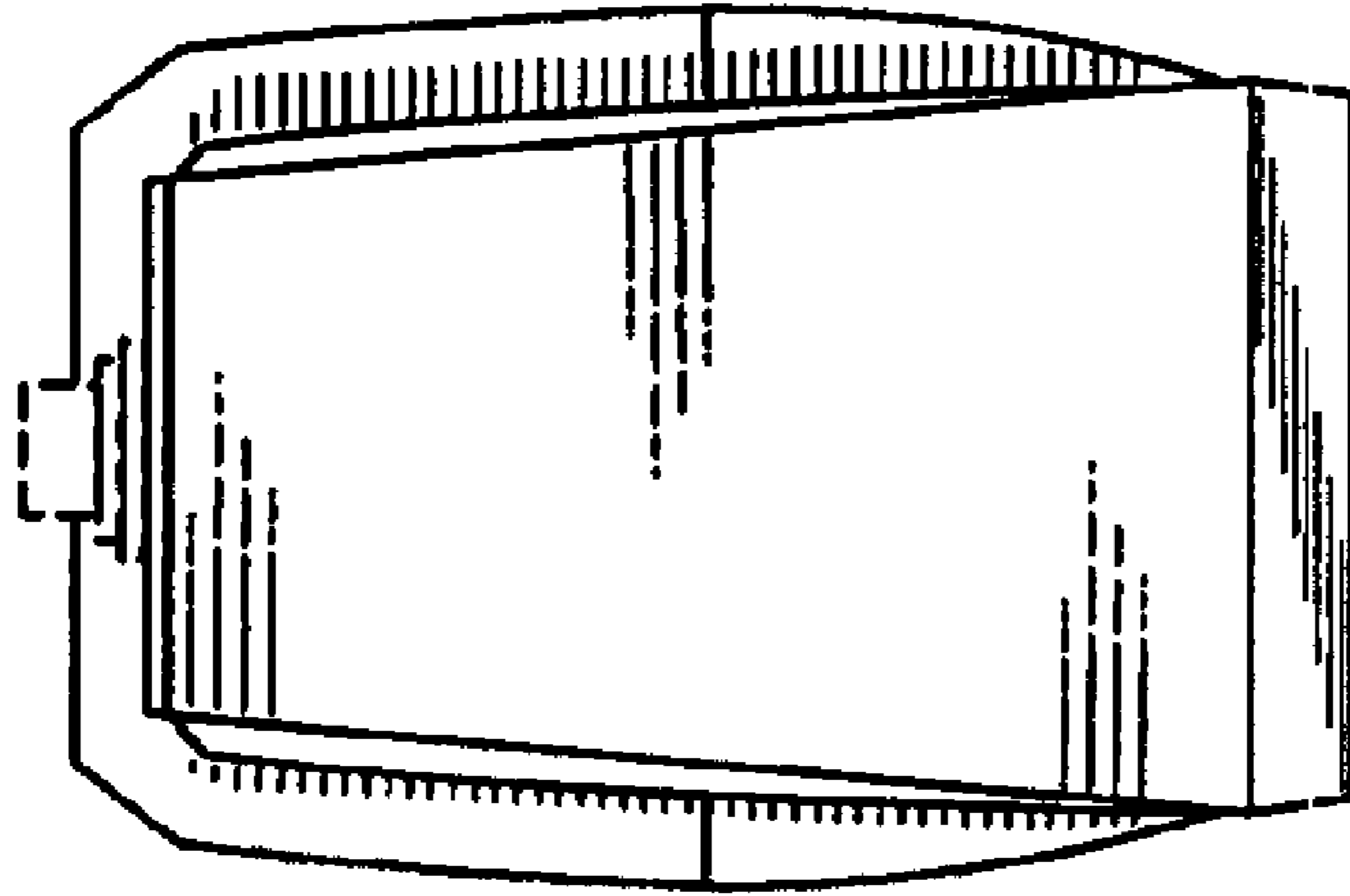


FIG. 7

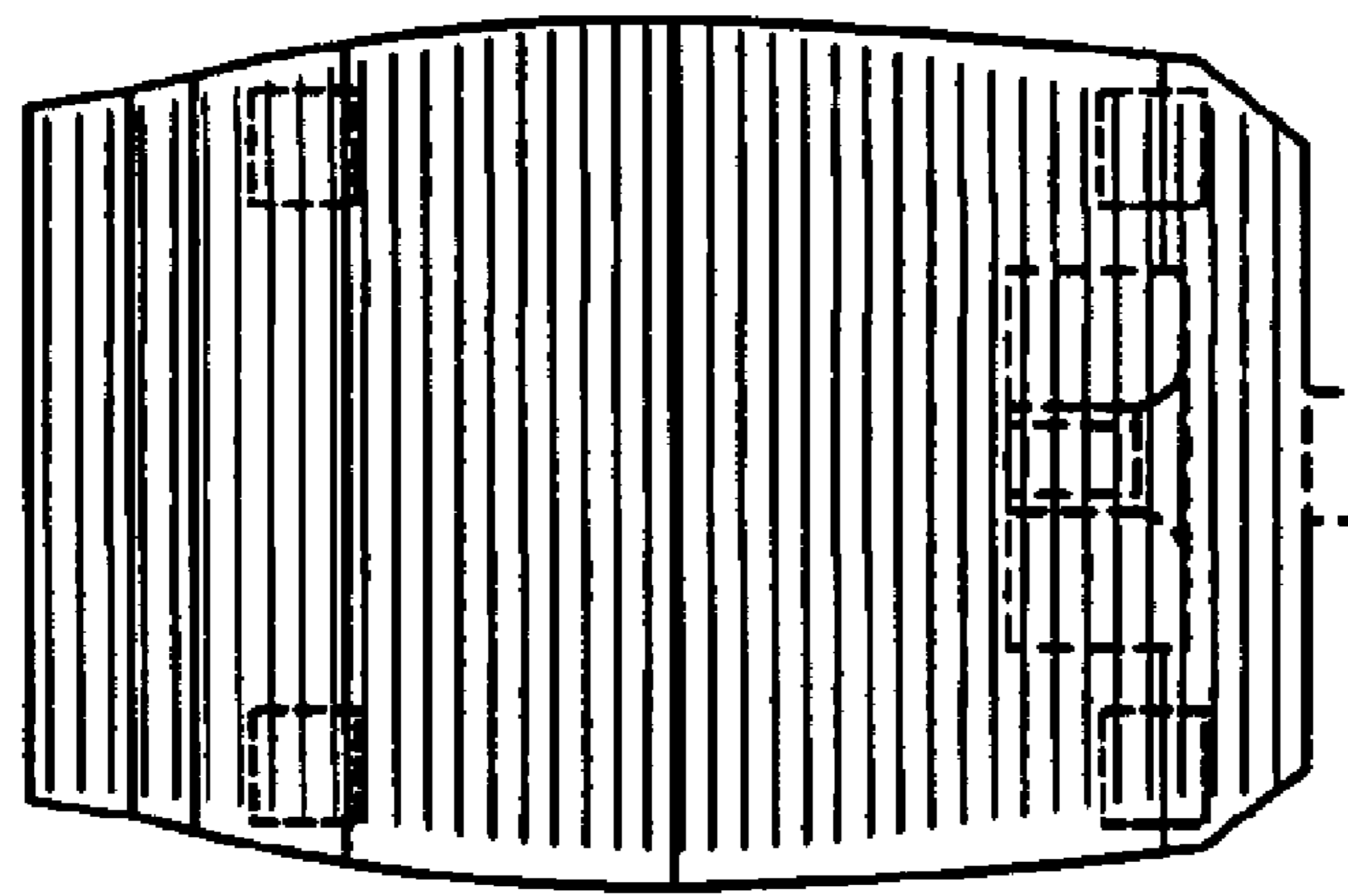


FIG. 6