



US00D506742S

(12) **United States Design Patent**
Obata et al.

(10) **Patent No.:** **US D506,742 S**
(45) **Date of Patent:** **** Jun. 28, 2005**

(54) **COMBINED DISC PLAYER, RADIO RECEIVER AND TAPE RECORDER**

(75) Inventors: **Shinichi Obata**, Tokyo (JP); **Satoshi Suzuki**, Tokyo (JP)

(73) Assignee: **Sony Corporation**, Tokyo (JP)

(**) Term: **14 Years**

(21) Appl. No.: **29/200,667**

(22) Filed: **Mar. 4, 2004**

(51) **LOC (8) Cl.** **14-01**

(52) **U.S. Cl.** **D14/168**

(58) **Field of Search** D14/135-136,
D14/160-168, 188, 197-198, 156-157,
217; 455/100, 344, 346-351, 157.1, 350;
369/75.1, 75.2, 77.2

(56) **References Cited**

U.S. PATENT DOCUMENTS

D410,649 S	6/1999	Kobayashi	
D410,651 S	6/1999	Suzuki	
D442,160 S	5/2001	Tsuchiya	
D451,487 S	* 12/2001	Ng	D14/168
D473,205 S	* 4/2003	Tajima	D14/167
D482,015 S	* 11/2003	Ng	D14/168
D486,468 S	2/2004	Suzuki	

OTHER PUBLICATIONS

Web page “Radiograbador FM/AM con CD, CFD-G70”
[http://www.sony.com.pa/corporate?page=productsDetalles
& model=CFD-G70&top=1039](http://www.sony.com.pa/corporate?page=productsDetalles&model=CFD-G70&top=1039) 2 sheets, Sony (Sep. 2003).

Web page “Radiograbador FM/AM con CD, CFD-G55”
<http://www.sony.com.pa/corporate?page=productsDetalles&model=CFD-G55> 2 sheets, Sony (Sep. 2003).

Web page “Radiograbador FM/AM con CD, CFD-G35”
<http://www.sony.com.pa/corporate?page=productsDetalles&model=CFD-G35&top=1039> 2 sheets, Sony (Sep. 2003).

* cited by examiner

Primary Examiner—Nanda Bondade

(74) *Attorney, Agent, or Firm*—Rader, Fishman & Grauer PLLC

(57) **CLAIM**

The ornamental design for a combined disc player, radio receiver and tape recorder, as shown and described.

DESCRIPTION

FIG. 1 is a perspective view of a combined disc player, radio receiver and tape recorder showing our new design;

FIG. 2 is a front elevational view thereof;

FIG. 3 is a left side elevational view thereof;

FIG. 4 is a right side elevational view thereof;

FIG. 5 is a top plan view thereof; and,

FIG. 6 is a bottom plan view thereof.

Portions of FIGS. 1-6 that are shown as broken lines are for illustrative purpose only and form no part of the claimed design.

1 Claim, 4 Drawing Sheets

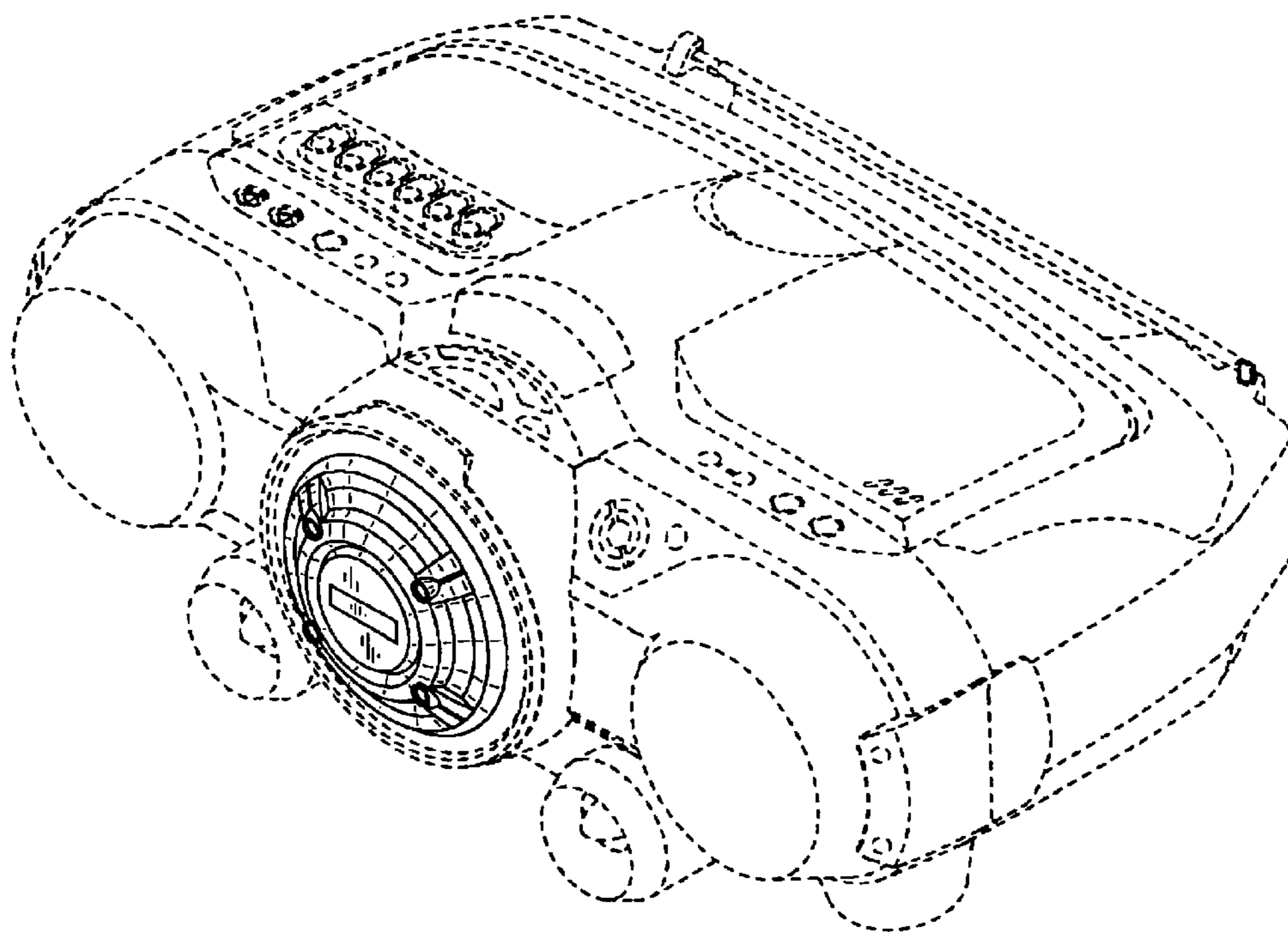


Fig. 1

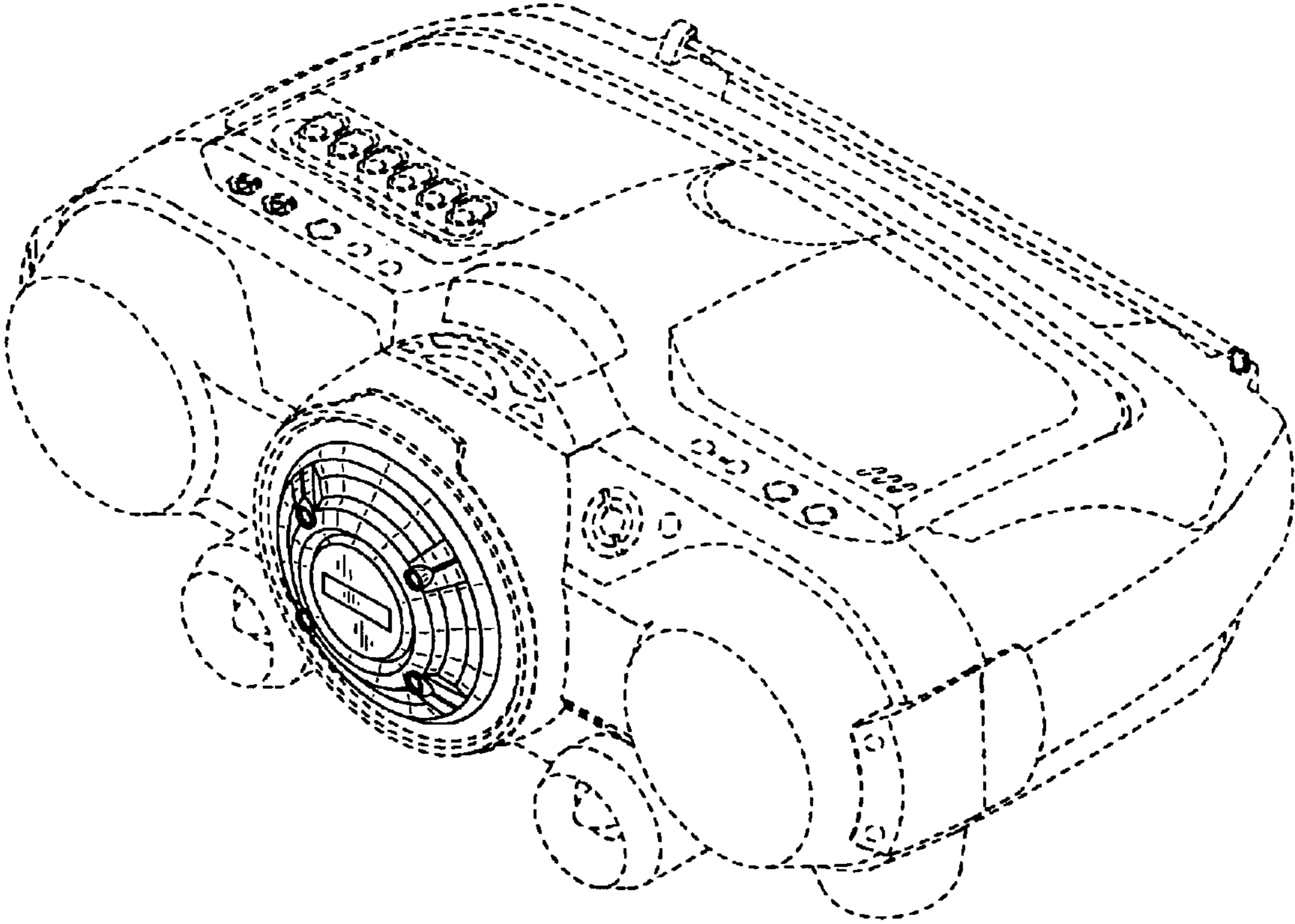


Fig.2

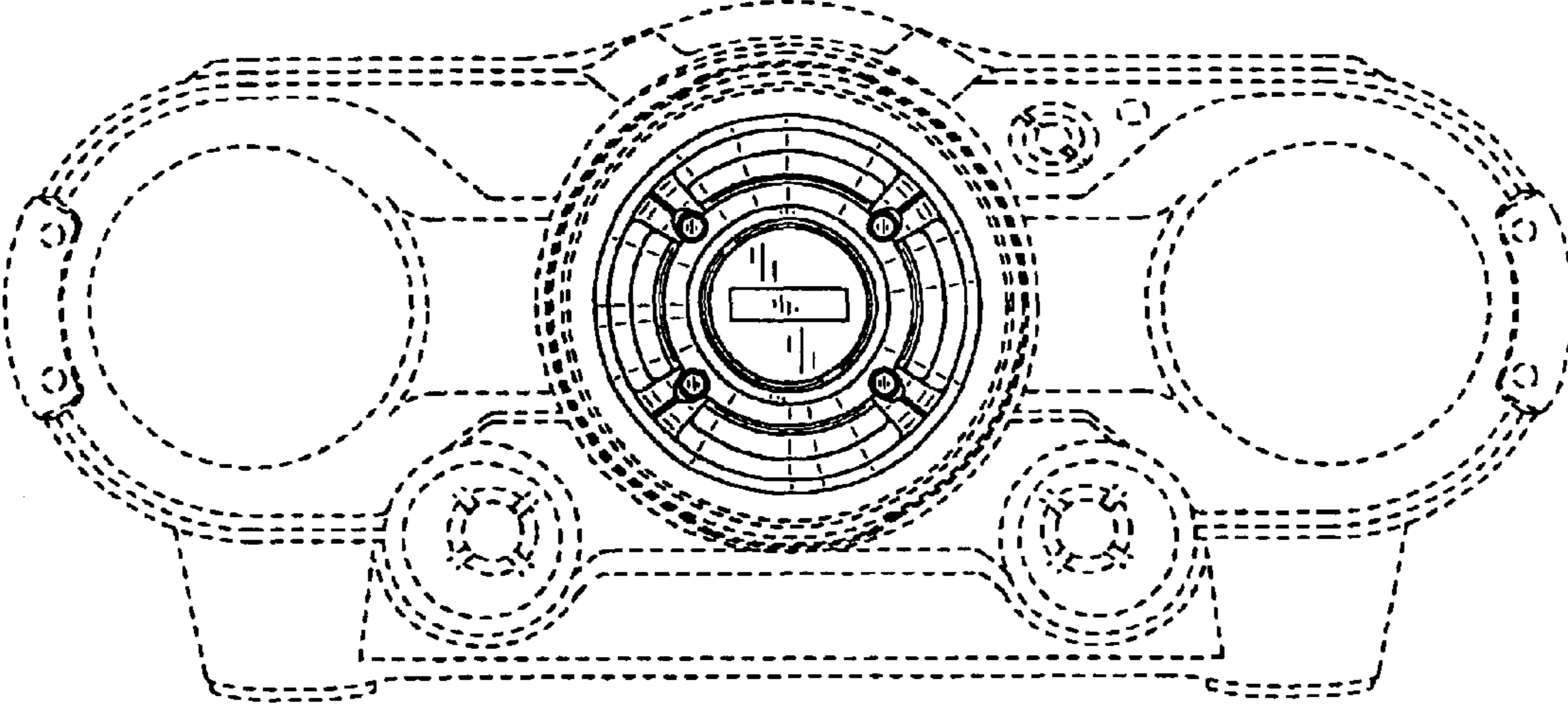


Fig.3

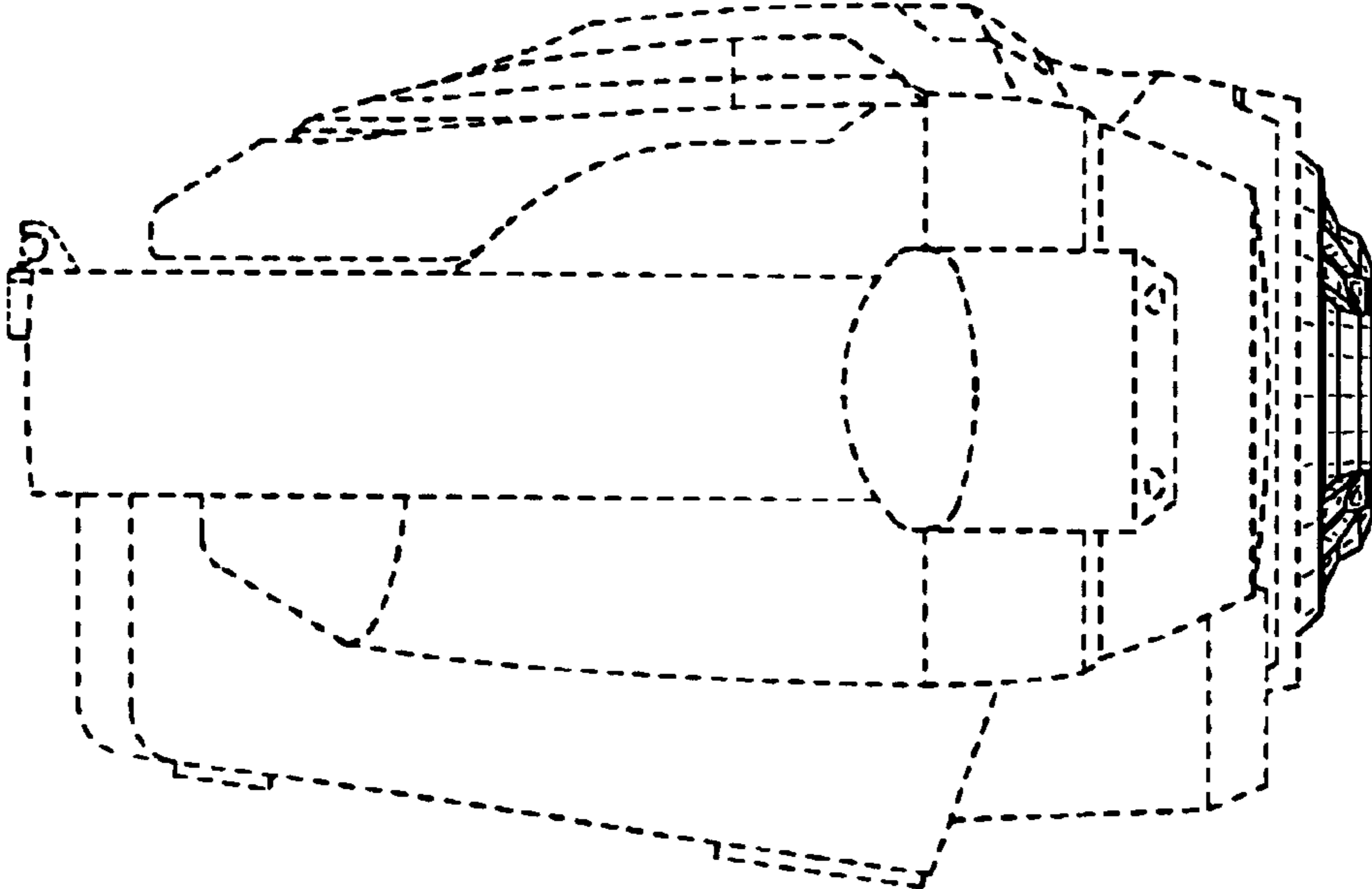


Fig.4

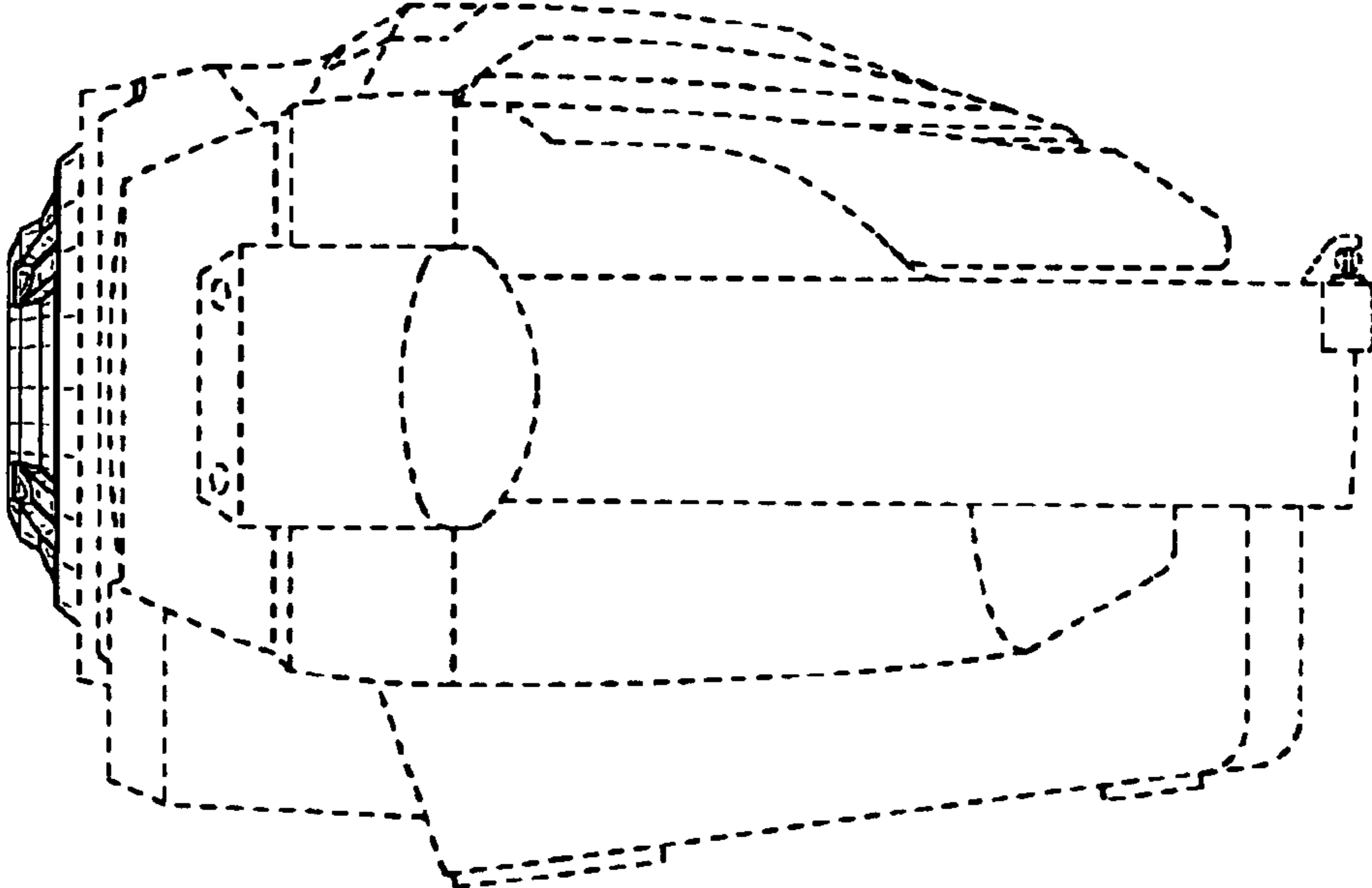


Fig.5

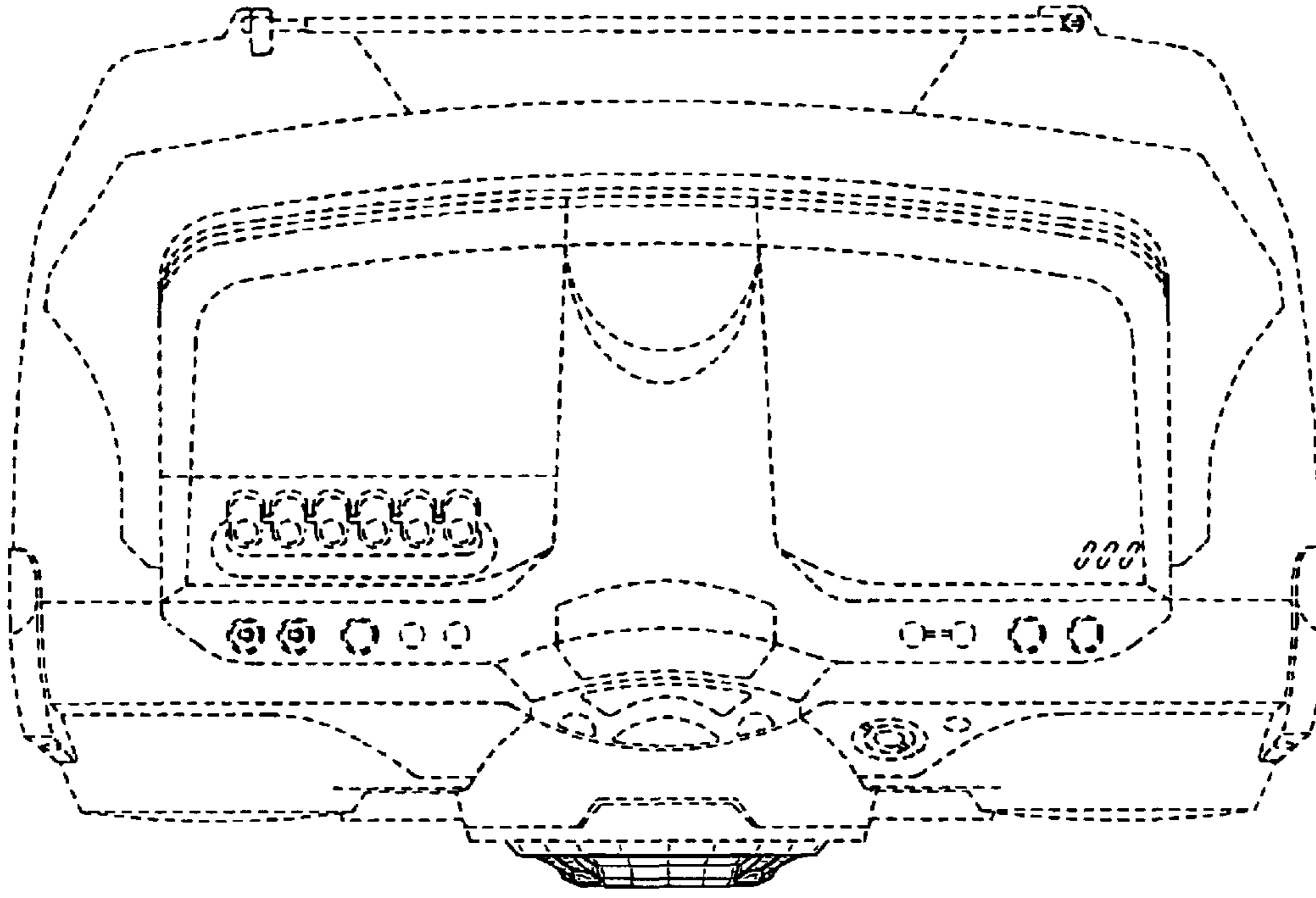


Fig.6

