

US00D506732S

(12) **United States Design Patent**
Wang et al.

(10) **Patent No.:** **US D506,732 S**
(45) **Date of Patent:** **** Jun. 28, 2005**

(54) **LIGHT-EMITTING DIODE**

(75) Inventors: **Bily Wang**, Hsin Chu (TW); **Jonnie Chuang**, Pan Chiao (TW); **Hui Yen Huang**, Hsin Chu (TW)

(73) Assignee: **Harvatek Corporation**, Hsinchu (TW)

(**) Term: **14 Years**

(21) Appl. No.: **29/207,970**

(22) Filed: **Jun. 23, 2004**

(51) **LOC (8) Cl.** **13-03**

(52) **U.S. Cl.** **D13/180; D13/182**

(58) **Field of Search** D13/180, 182;
174/52.4; 257/81, 91, 99; 315/169.2, 169.3;
361/748, 800; 372/34

(56) **References Cited**

U.S. PATENT DOCUMENTS

D416,236 S	*	11/1999	Kobayashi et al.	D13/182
6,093,940 A	*	7/2000	Ishinaga et al.	257/99
6,310,900 B1	*	10/2001	Stephens et al.	372/36
6,495,861 B1	*	12/2002	Ishinaga	257/99
D475,982 S	*	6/2003	Hori et al.	D13/182
6,777,719 B1	*	8/2004	Fujii	257/99

2004/0099874 A1 * 5/2004 Chang et al. 257/98

* cited by examiner

Primary Examiner—Stella Reid
Assistant Examiner—Selina Sikder

(74) *Attorney, Agent, or Firm*—Troxell Law Office, PLLC

(57) **CLAIM**

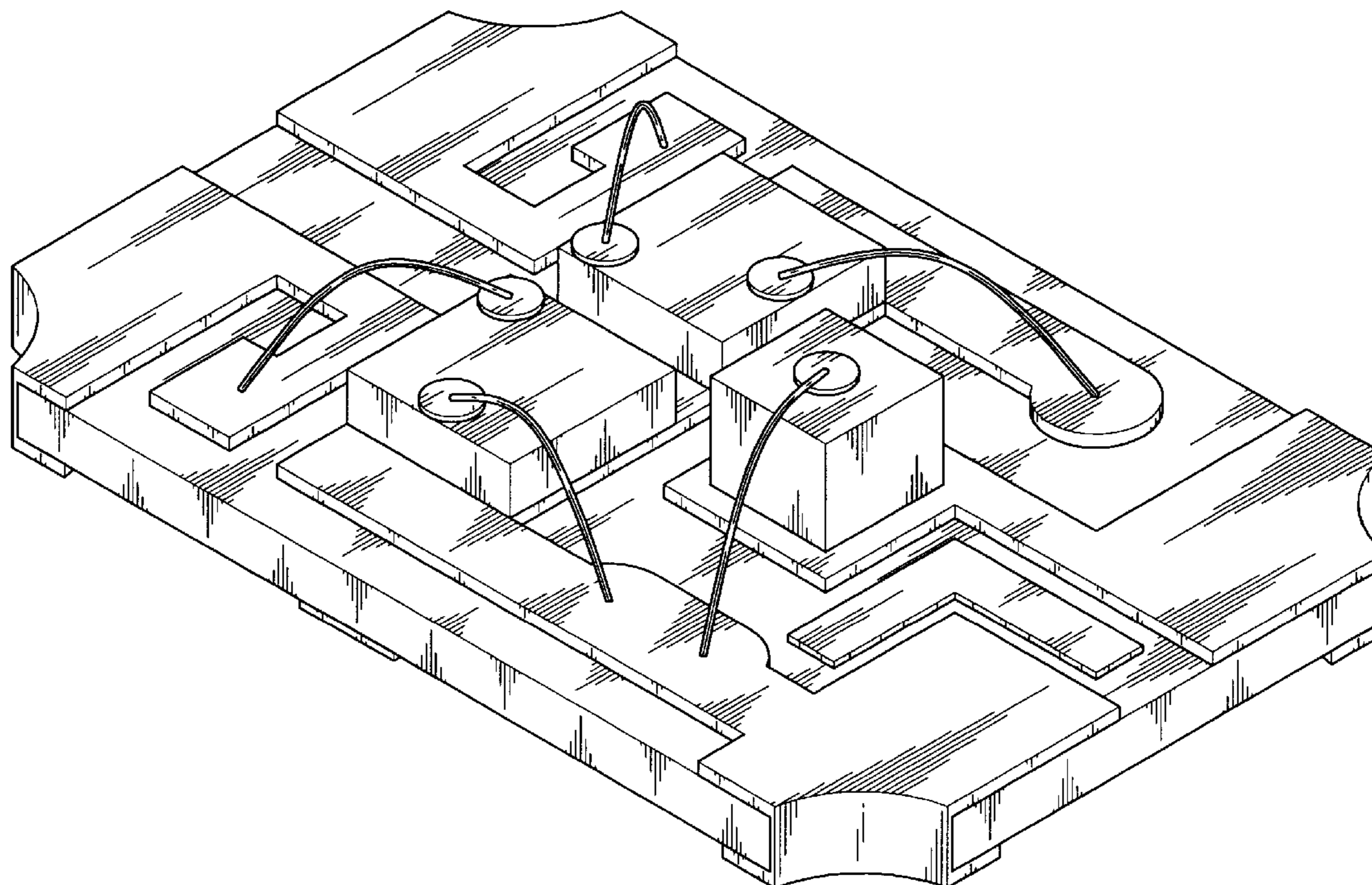
The ornamental design for a “light-emitting diode,” as shown and described.

DESCRIPTION

FIG. 1 is a perspective view of a “light-emitting diode” showing my new design;
FIG. 2 is a front view thereof;
FIG. 3 is a rear view thereof;
FIG. 4 is a left side view thereof;
FIG. 5 is a right side view thereof;
FIG. 6 is a top view thereof;
FIG. 7 is a bottom view thereof; and,
FIG. 8 is a perspective view showing the practical usage thereof.

The broken line showing of the environment is for illustrative purpose only and forms no part of the claimed design.

1 Claim, 5 Drawing Sheets



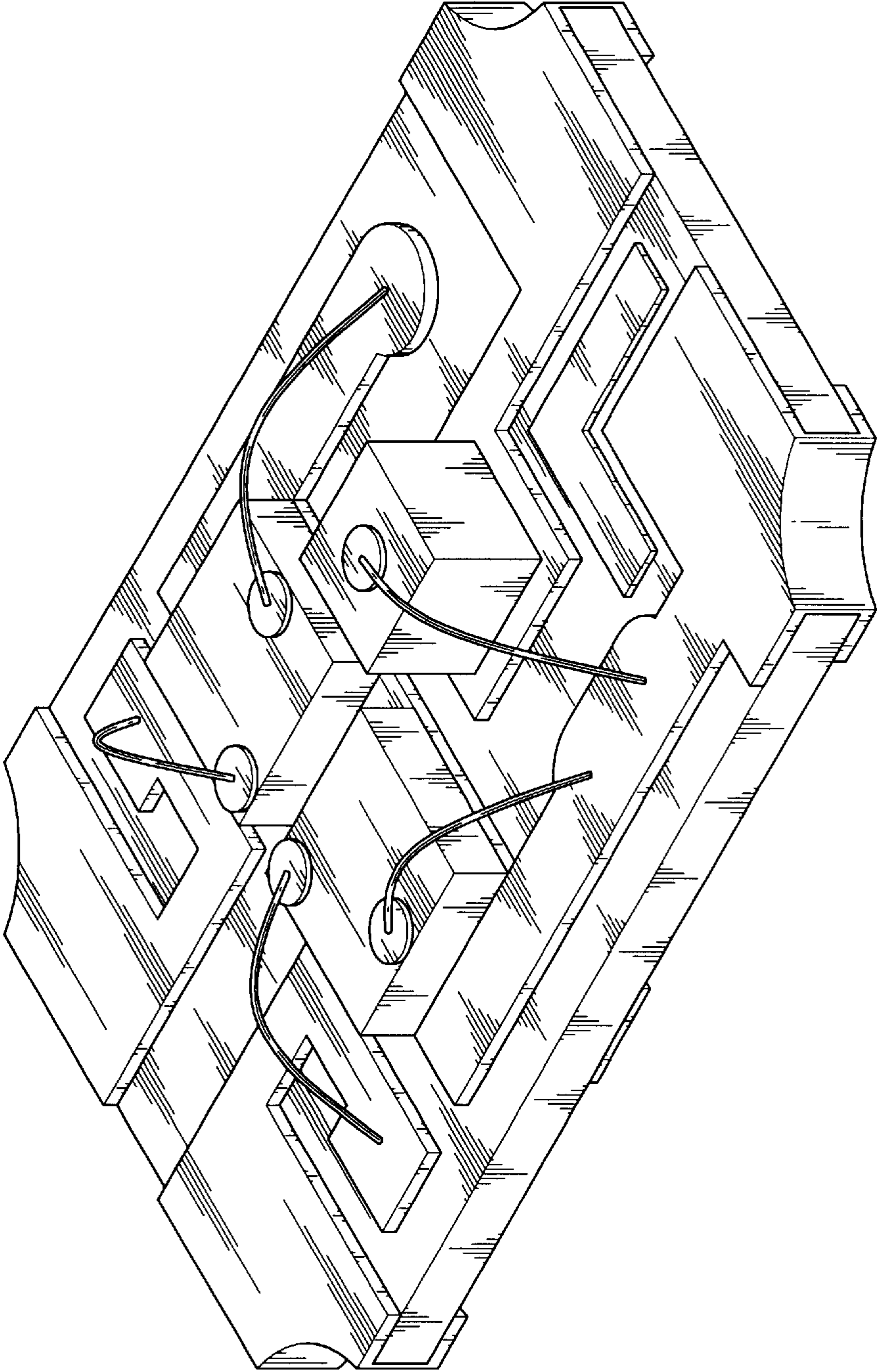


FIG. 1

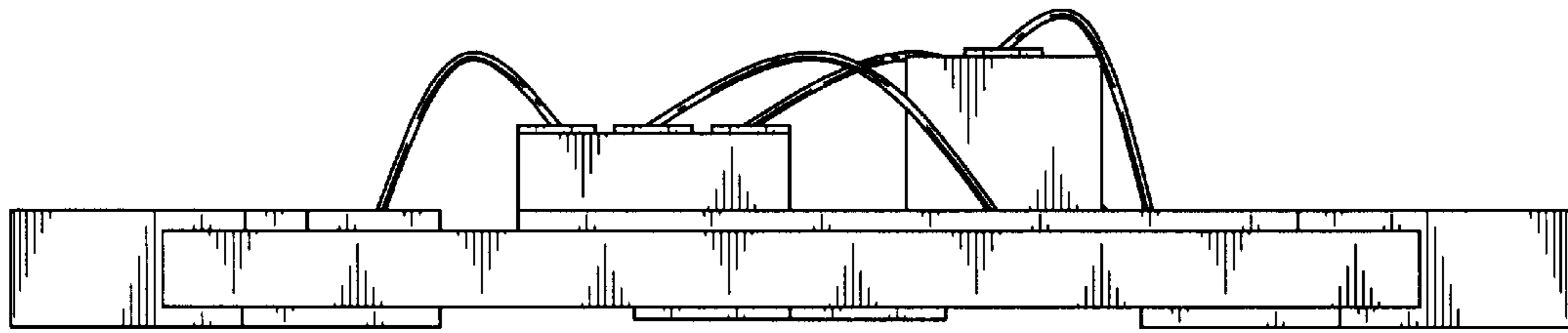


FIG. 2

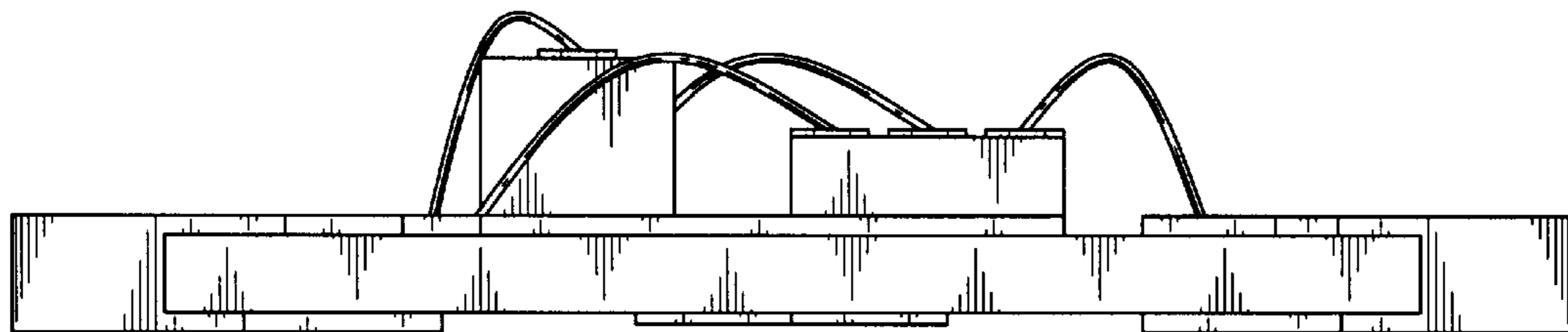


FIG. 3

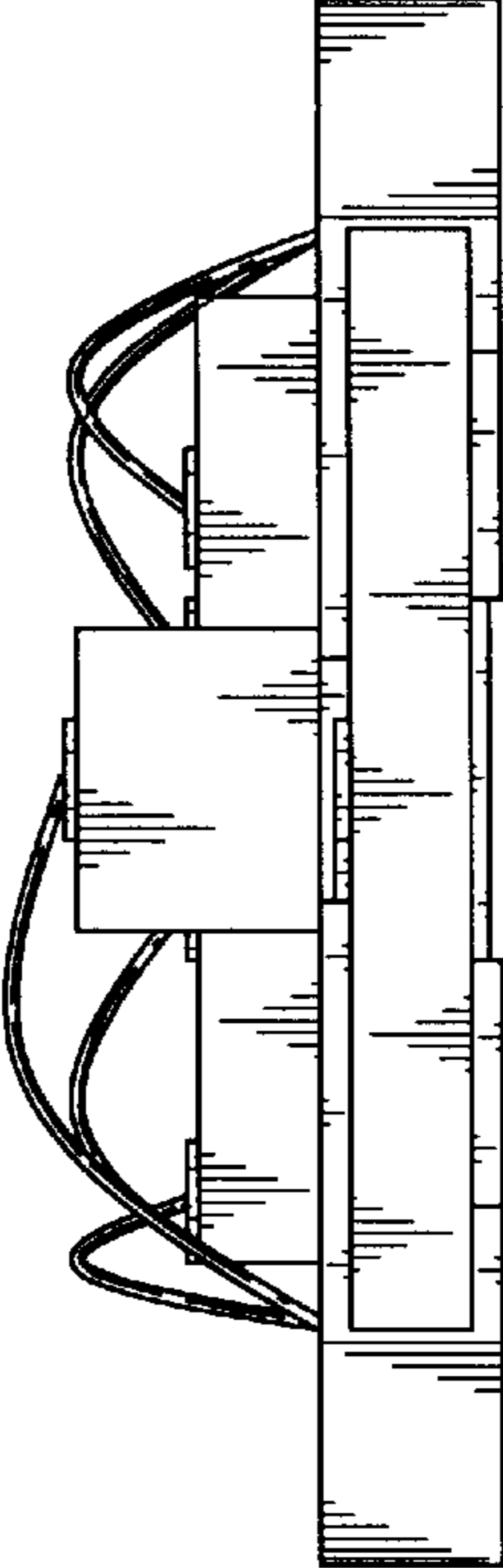


FIG. 4

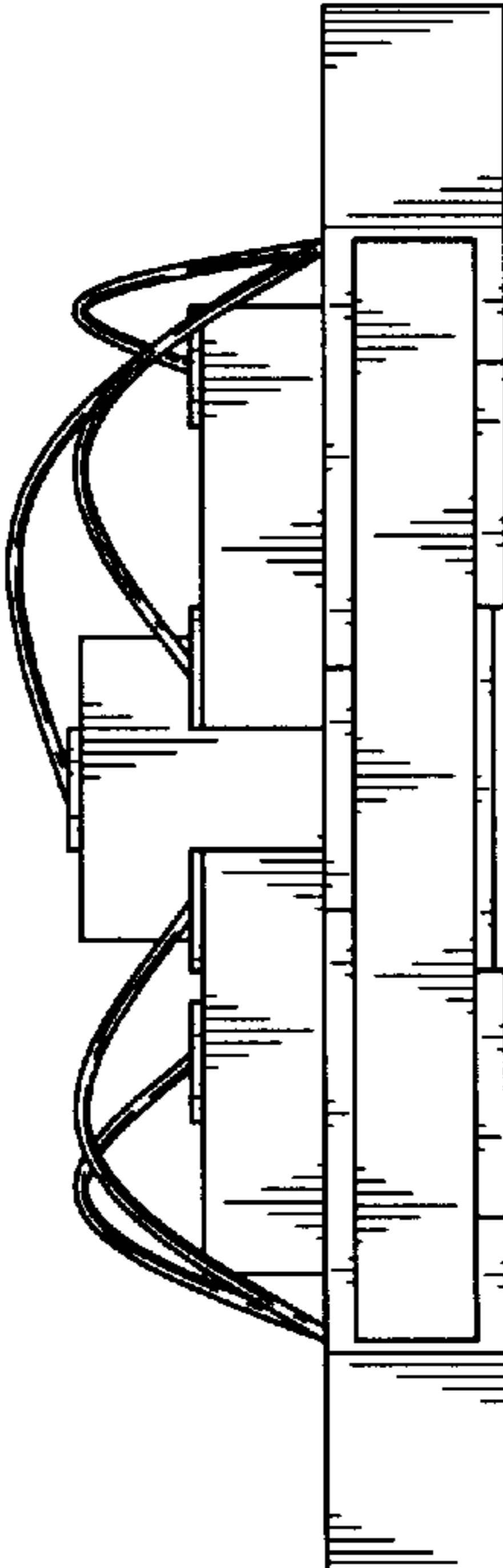


FIG. 5

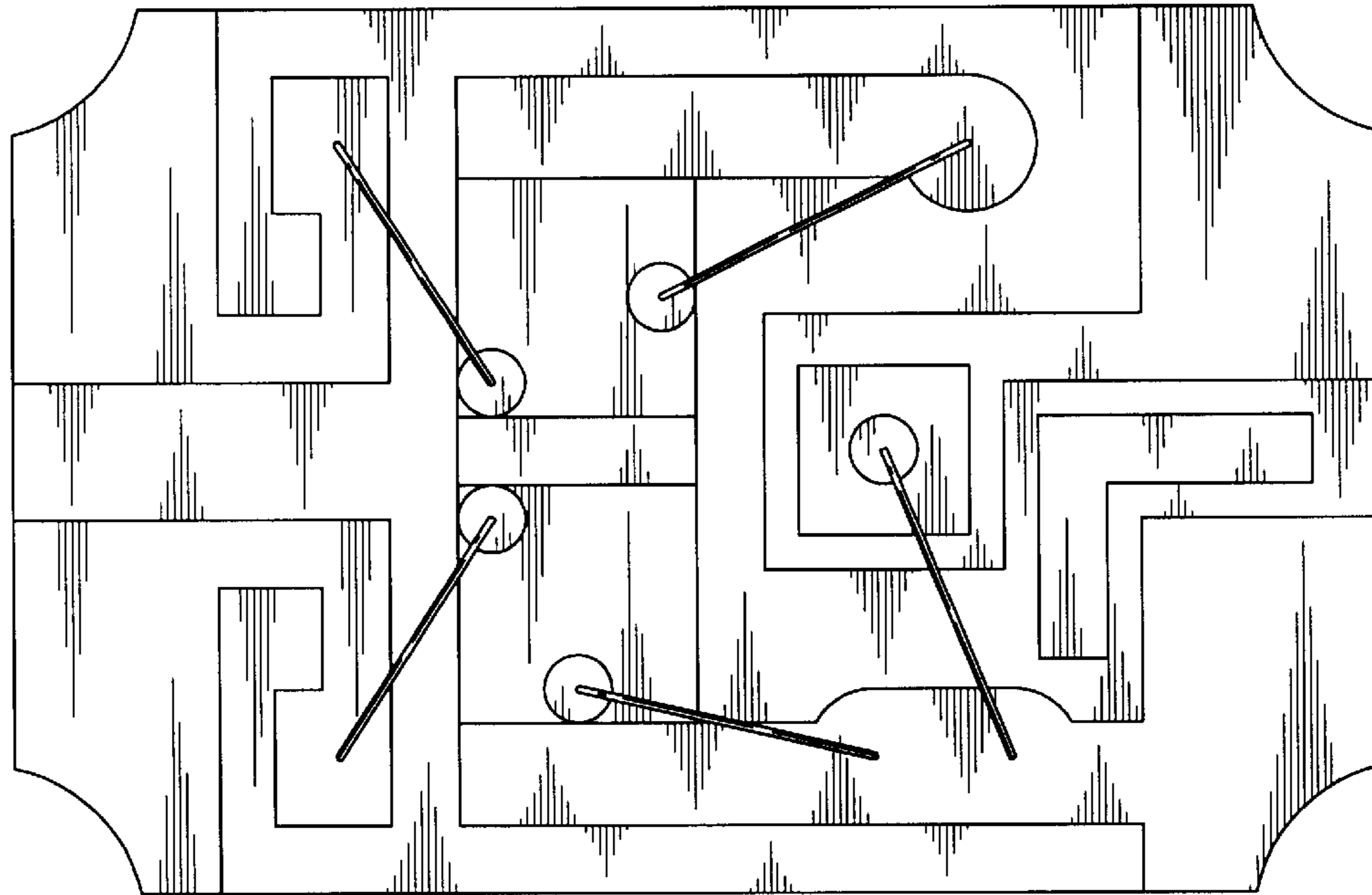


FIG. 6

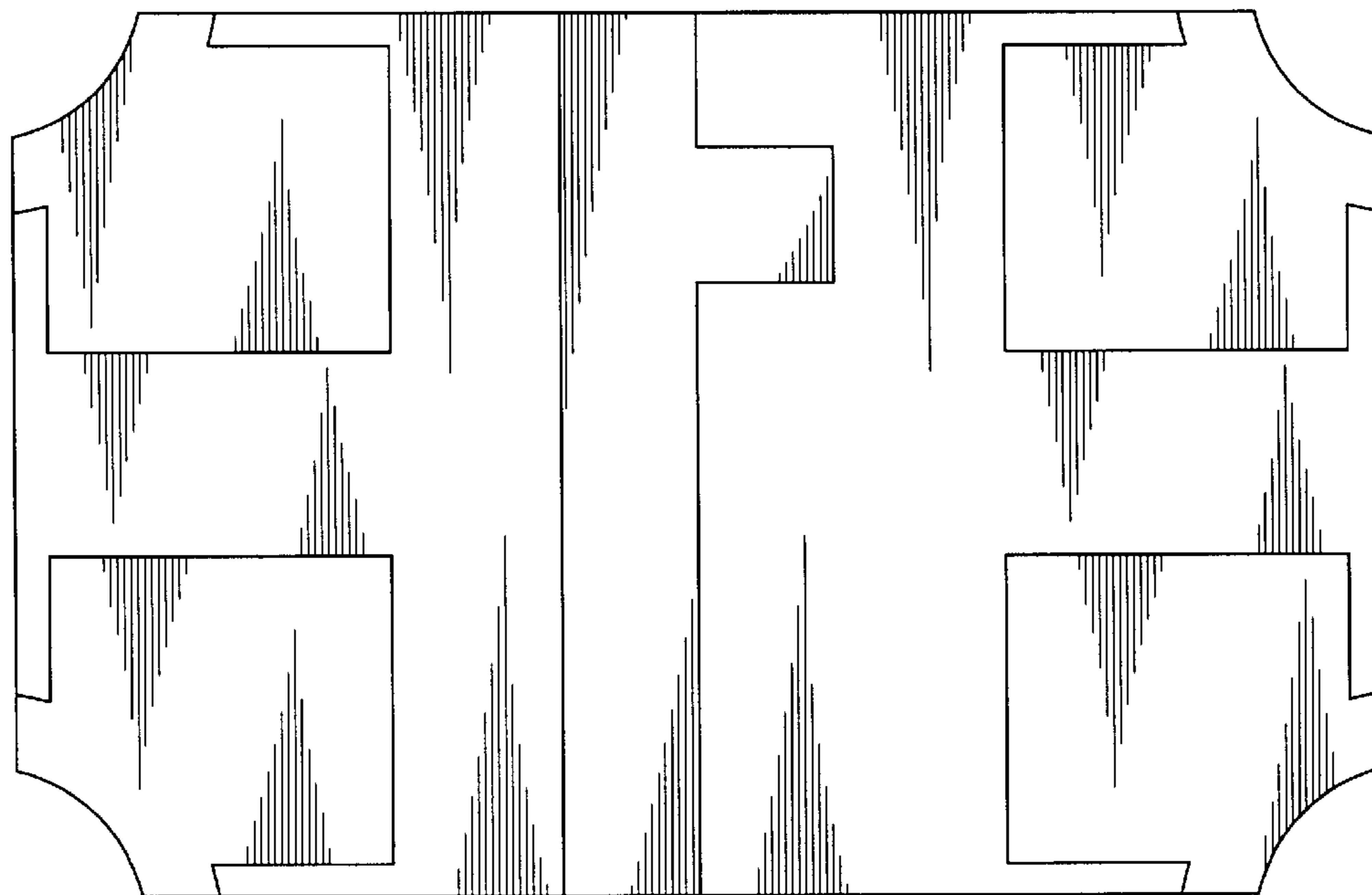


FIG. 7

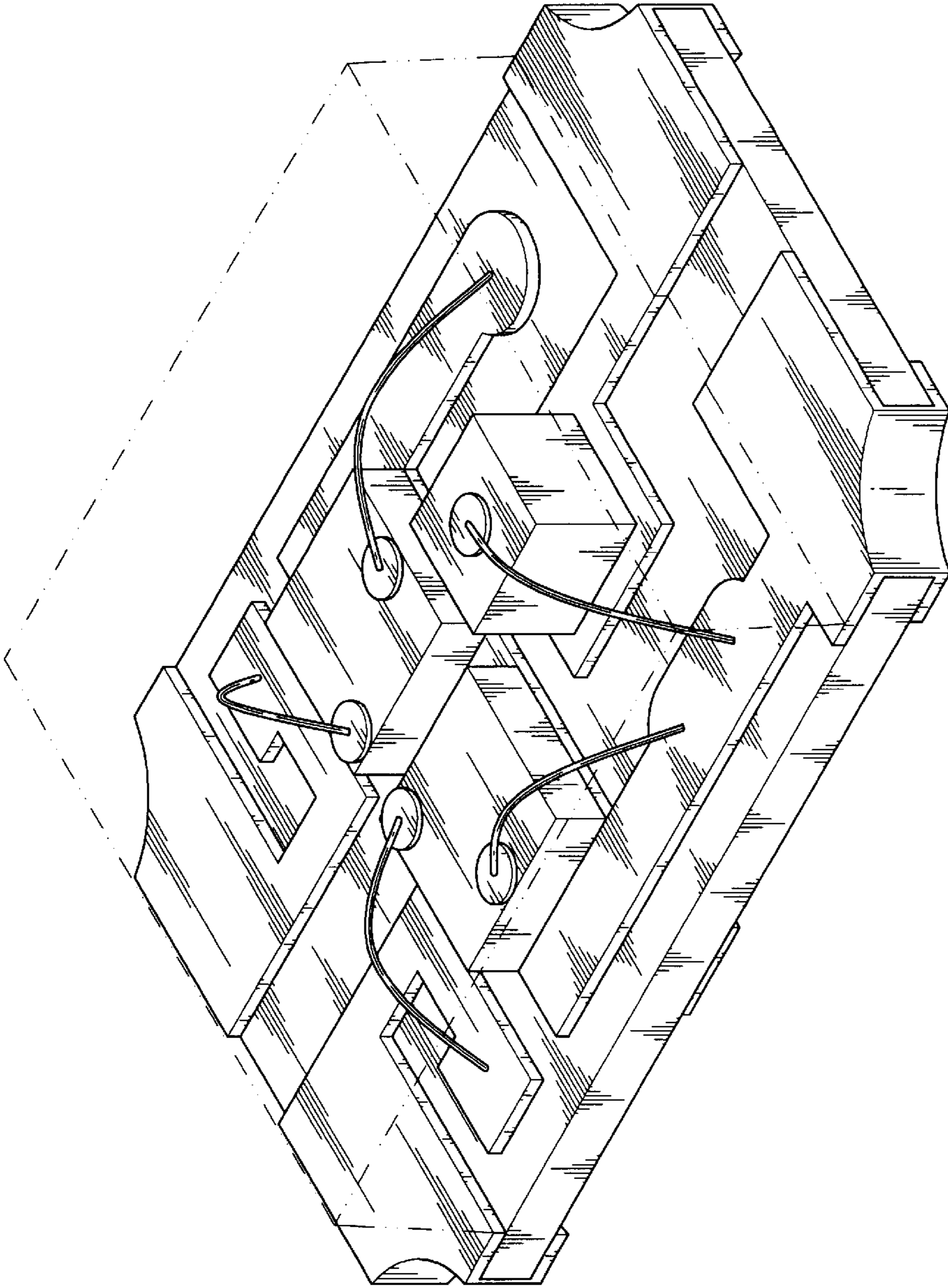


FIG. 8