

US00D506730S

(12) **United States Design Patent**
Ura

(10) **Patent No.:** **US D506,730 S**
(45) **Date of Patent:** **** Jun. 28, 2005**

(54) **BOARD-TO-BOARD CONNECTOR**

(75) Inventor: **Takahiro Ura, Kanagawa (JP)**

(73) Assignee: **Iriso Electronics Co., Ltd., Kanagawa (JP)**

(**) Term: **14 Years**

(21) Appl. No.: **29/197,408**

(22) Filed: **Jan. 15, 2004**

(30) **Foreign Application Priority Data**

Aug. 29, 2003 (JP) 2003-025246

(51) **LOC (8) Cl.** **13-03**

(52) **U.S. Cl.** **D13/147**

(58) **Field of Search** D13/147; 439/74,
439/83, 108, 607, 660

(56) **References Cited**

U.S. PATENT DOCUMENTS

D301,870 S	*	6/1989	Shibano	D13/147
5,277,597 A	*	1/1994	Masami et al.	439/83
5,882,212 A	*	3/1999	McHugh et al.	439/74
5,885,092 A	*	3/1999	Ito et al.	439/74
5,888,077 A	*	3/1999	Champion et al.	439/108

6,132,258 A	*	10/2000	Kajinuma	439/660
D442,917 S	*	5/2001	Wu	D13/147
6,290,515 B1	*	9/2001	Lee	439/108
D453,734 S	*	2/2002	Shimoyama et al.	D13/147
D485,532 S	*	1/2004	Lai	D13/147
2003/0013327 A1	*	1/2003	Choi	439/74

* cited by examiner

Primary Examiner—Stella Reid

Assistant Examiner—Selina Sikder

(74) *Attorney, Agent, or Firm*—Lowe, Hauptman & Berner, LLP

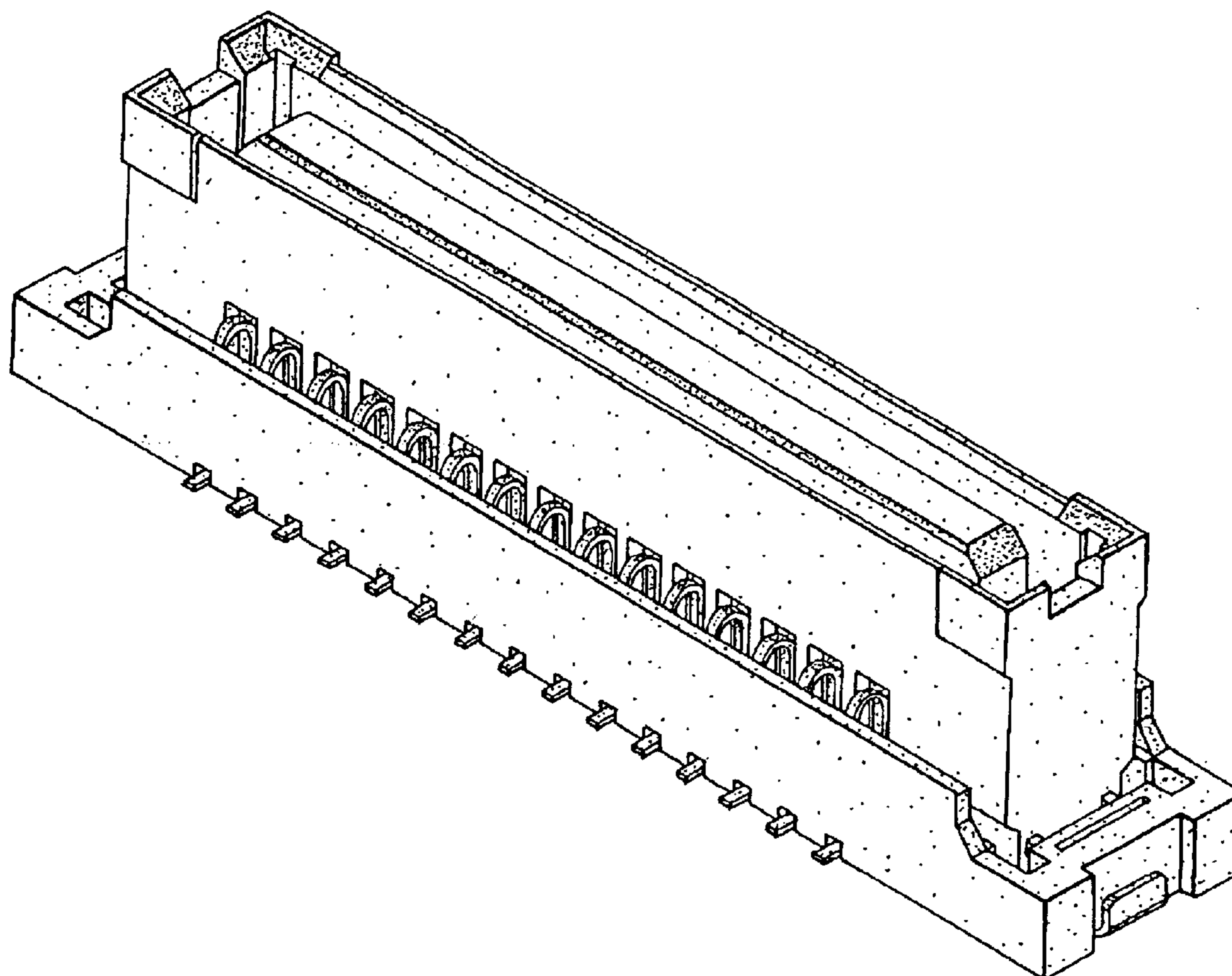
(57) **CLAIM**

The ornamental design for a board-to-board connector, as shown and described.

DESCRIPTION

FIG. 1 is a front view of a board to board connector showing my new design, the rear view being a mirror image thereof; FIG. 2 is a left side view thereof; the right side view being a mirror image thereof; FIG. 3 is a top plan view thereof; FIG. 4 is a bottom plan view thereof; FIG. 5 is a top perspective view thereof; and, FIG. 6 is a bottom perspective view thereof.

1 Claim, 3 Drawing Sheets



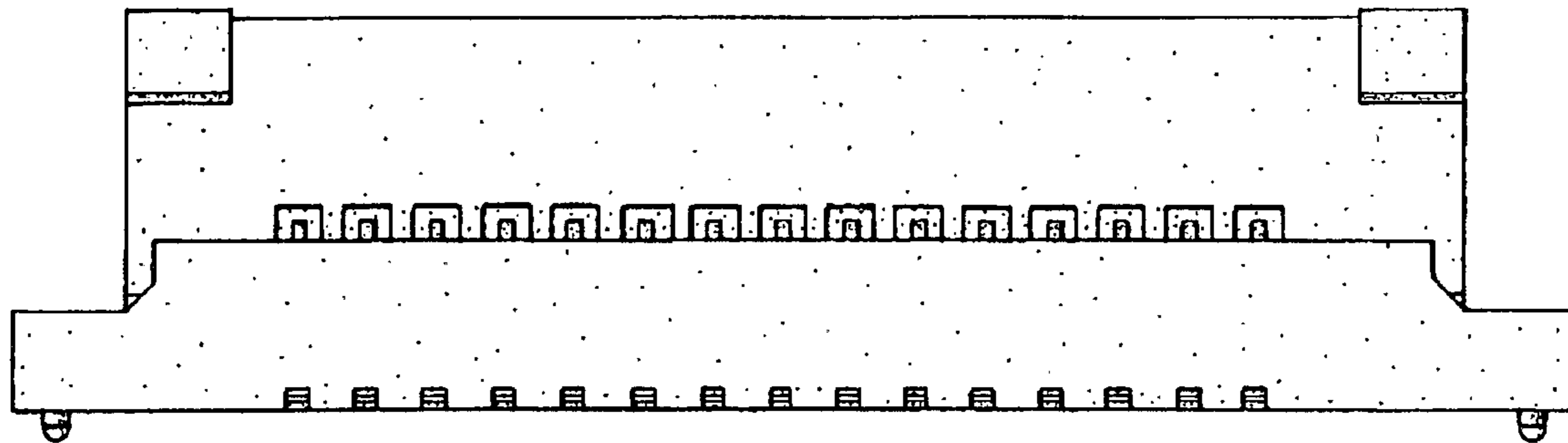


Fig. 1

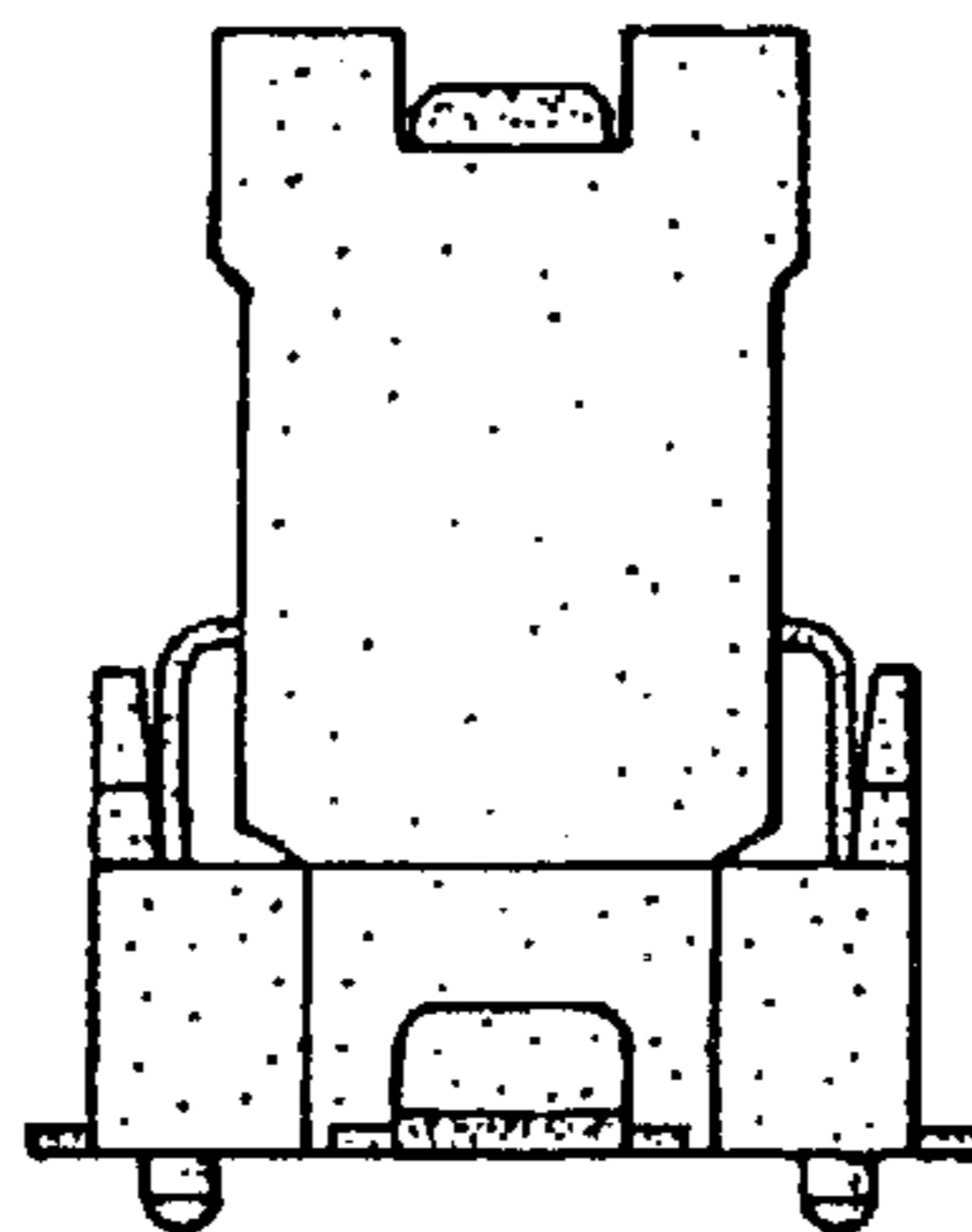


Fig. 2

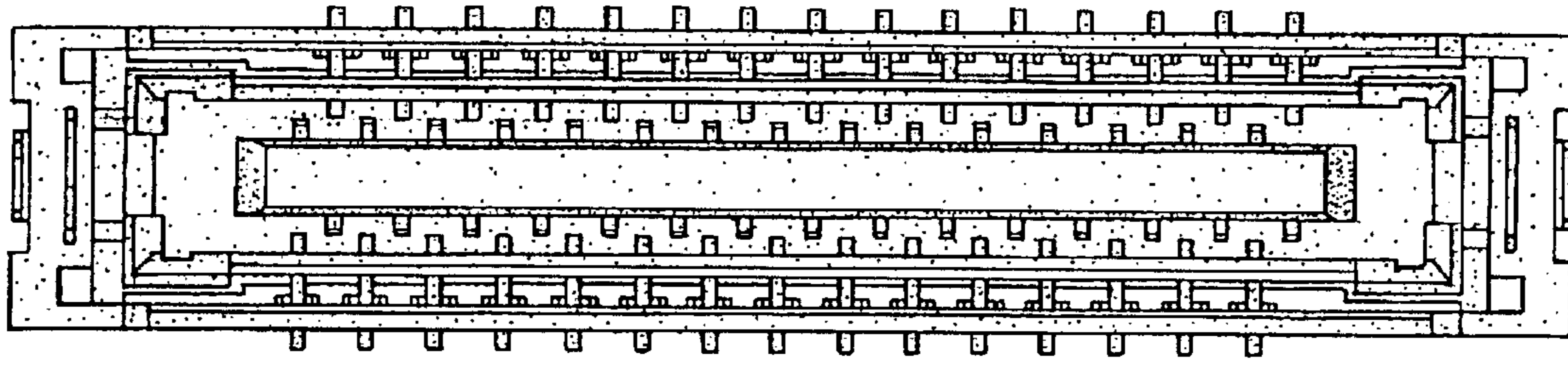


Fig. 3

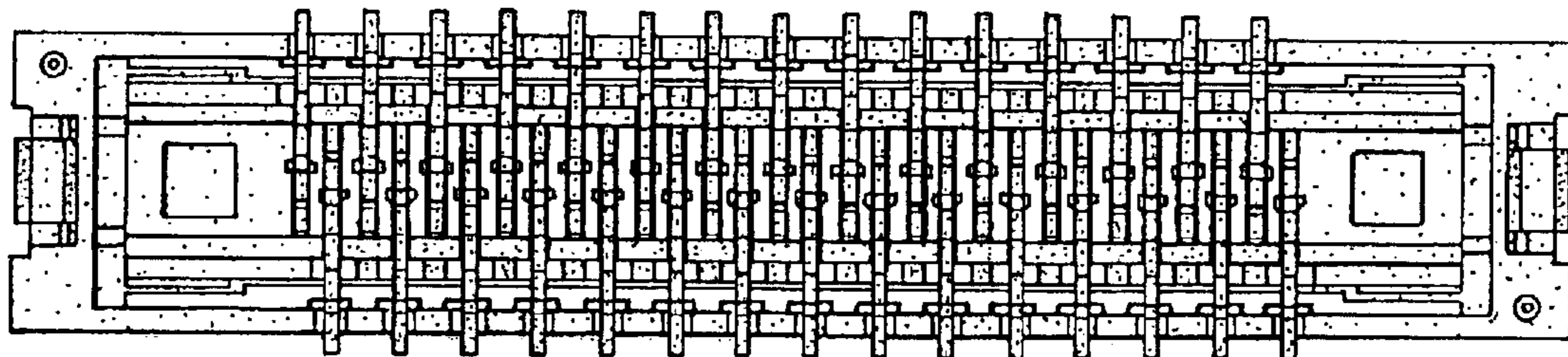


Fig. 4

