

US00D506729S

(12) **United States Design Patent**
Kimura et al.

(10) **Patent No.:** **US D506,729 S**
(45) **Date of Patent:** **** Jun. 28, 2005**

(54) **ELECTRICAL CONNECTOR**

(75) Inventors: **Akira Kimura**, Kokubunji (JP);
Masaaki Takaku, Tokyo (JP); **Shuuichi Ishida**, Hirosaki (JP)

(73) Assignees: **Japan Aviation Electronics Industry, Limited**, Tokyo (JP); **JAE Hirosaki, Ltd.**, Hirosaki (JP)

(**) Term: **14 Years**

(21) Appl. No.: **29/194,618**

(22) Filed: **Nov. 25, 2003**

(30) **Foreign Application Priority Data**

May 27, 2003 (JP) 2003-018799

(51) **LOC (8) Cl.** **13-03**

(52) **U.S. Cl.** **D13/147**

(58) **Field of Search** D13/147; 439/160,
439/266, 476.1, 484, 660, 940

(56) **References Cited**

U.S. PATENT DOCUMENTS

D455,718 S	*	4/2002	Hwang	D13/147
6,416,354 B1	*	7/2002	Lee	439/484
6,500,023 B1	*	12/2002	Duong et al.	439/484
D480,052 S	*	9/2003	Hisamatsu et al.	D13/147
D486,451 S	*	2/2004	Moritake	D13/147

* cited by examiner

Primary Examiner—Stella Reid
Assistant Examiner—Selina Sikder
(74) *Attorney, Agent, or Firm*—Collard & Roe, P.C.

(57) **CLAIM**

The ornamental design for an electrical connector, as shown and described.

DESCRIPTION

FIG. 1 is a front elevational view of an electrical connector, wherein the elements shown in dotted lines are for illustrative purpose only and form no part of the claimed design.

FIG. 2 is a top plan view thereof;

FIG. 3 is a bottom plan view thereof;

FIG. 4 is a rear elevational view thereof;

FIG. 5 is a left side elevational view thereof; and

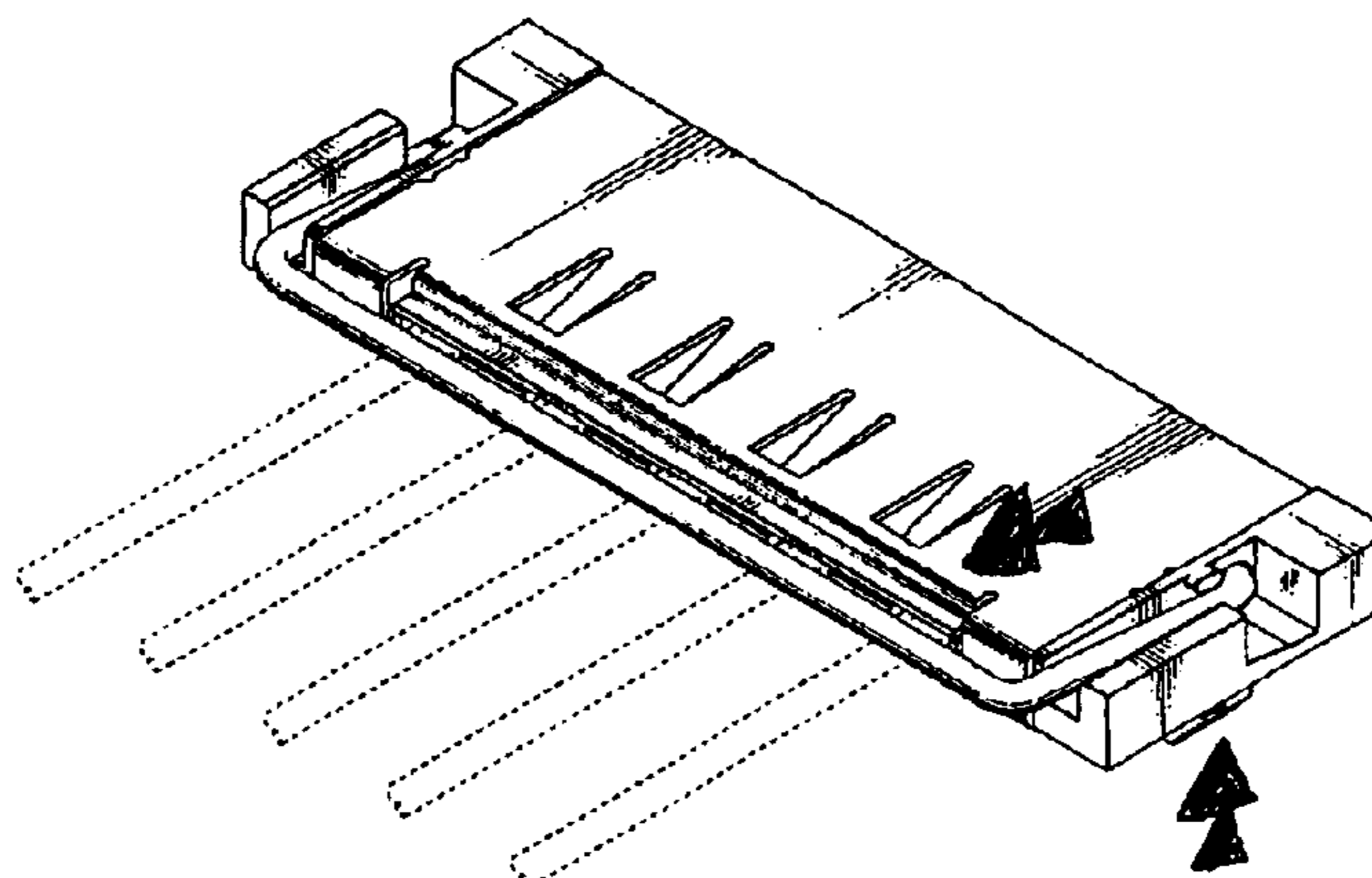
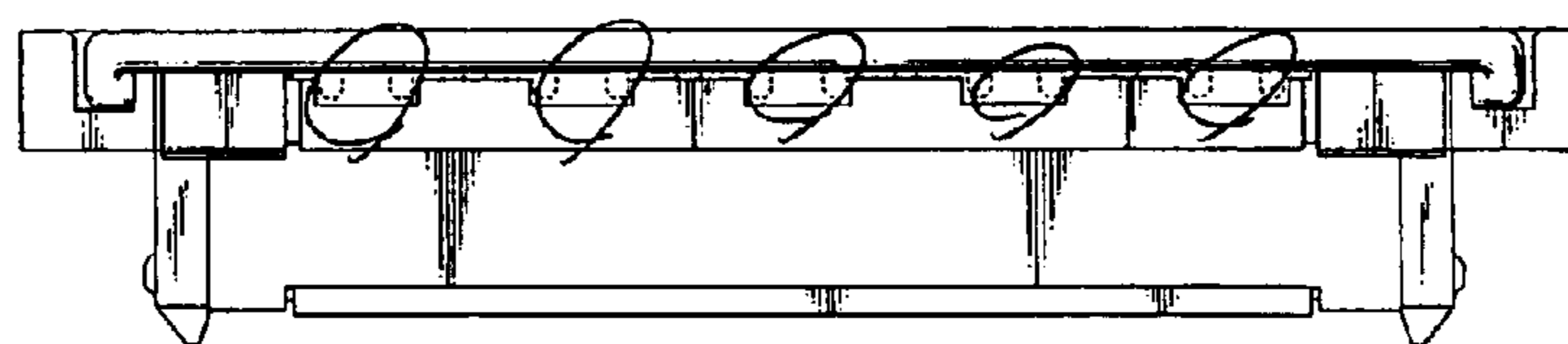
FIG. 6 is a front, top, and right side perspective view thereof, for illustrating a state in use thereof wherein the broken line showing of a memory card is for illustrative purpose only and forms no part of the claimed design.

FIG. 7 shows a front elevational view of the connector of FIG. 1 with the handle in a different position; and,

FIG. 8 shows a perspective view of the connector of FIG. 6 with the handle in a different position.

A right side elevational view of the electrical connector is omitted because it is presented symmetrical to the left side elevational view of FIG. 5.

1 Claim, 4 Drawing Sheets



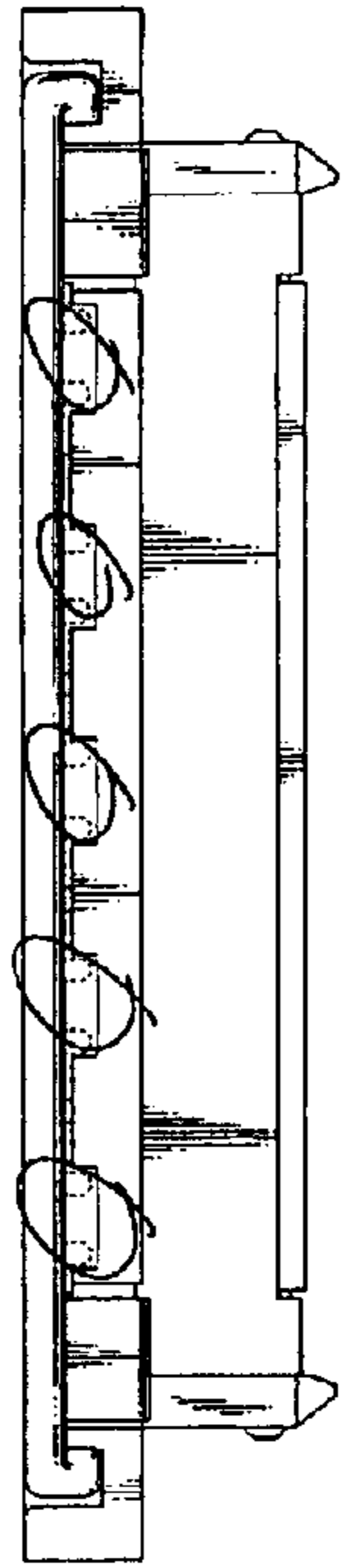


FIG. 1

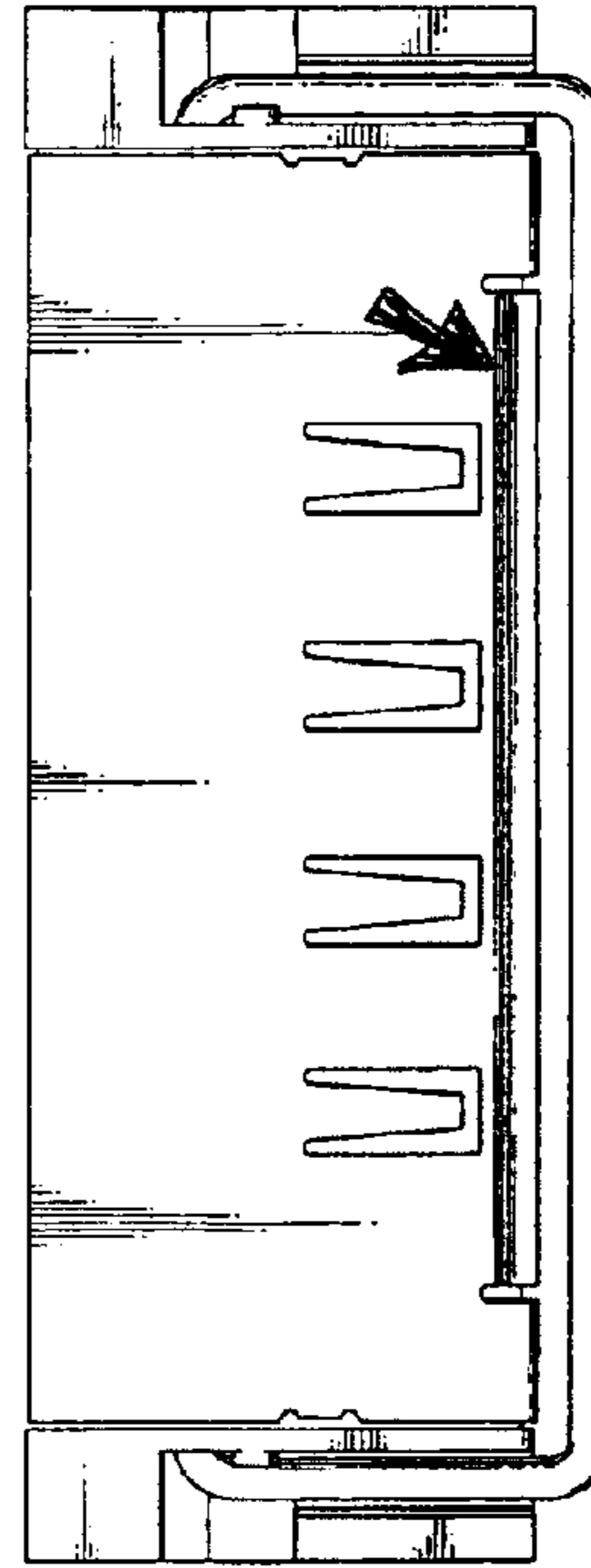


FIG. 2

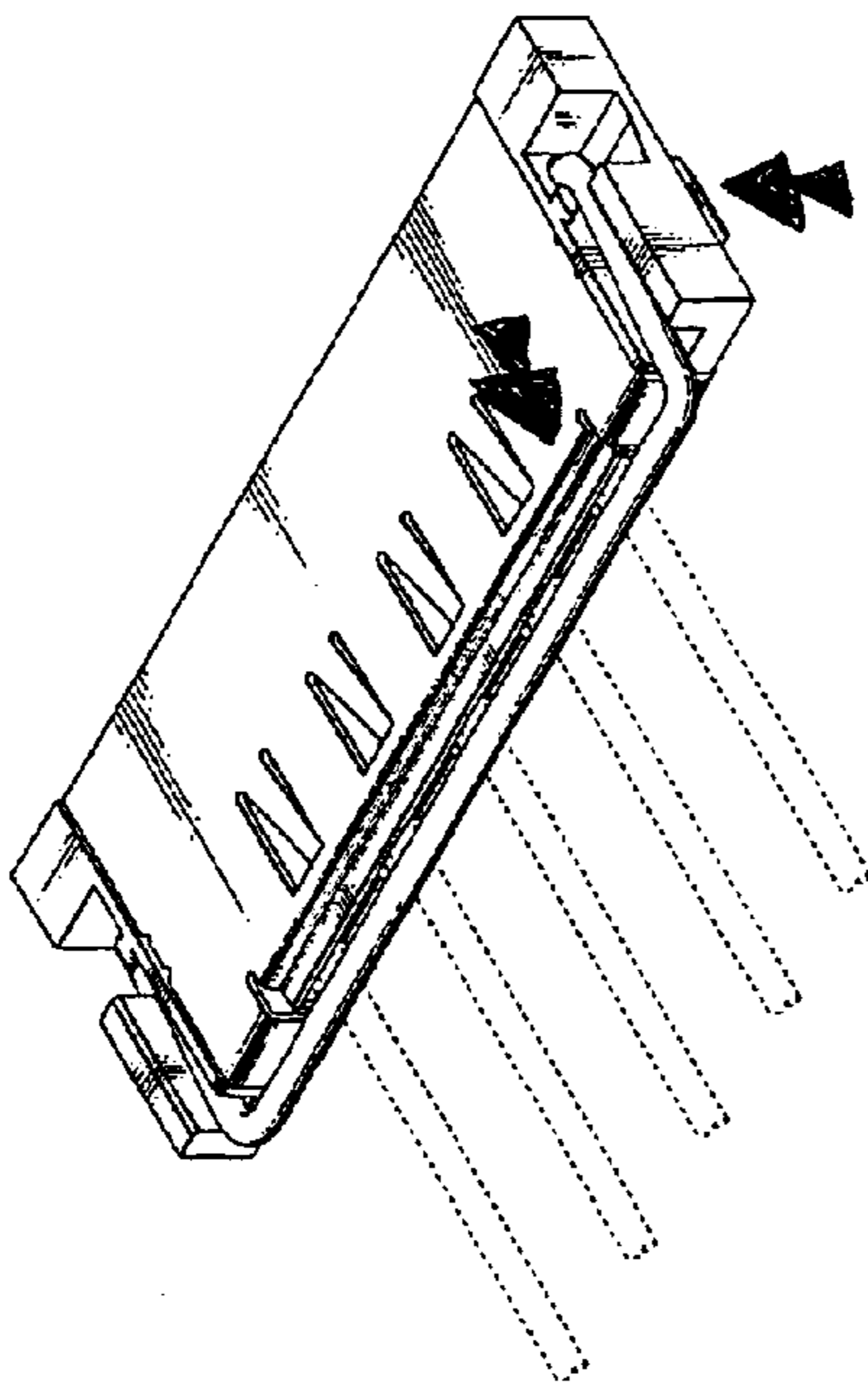


FIG. 6

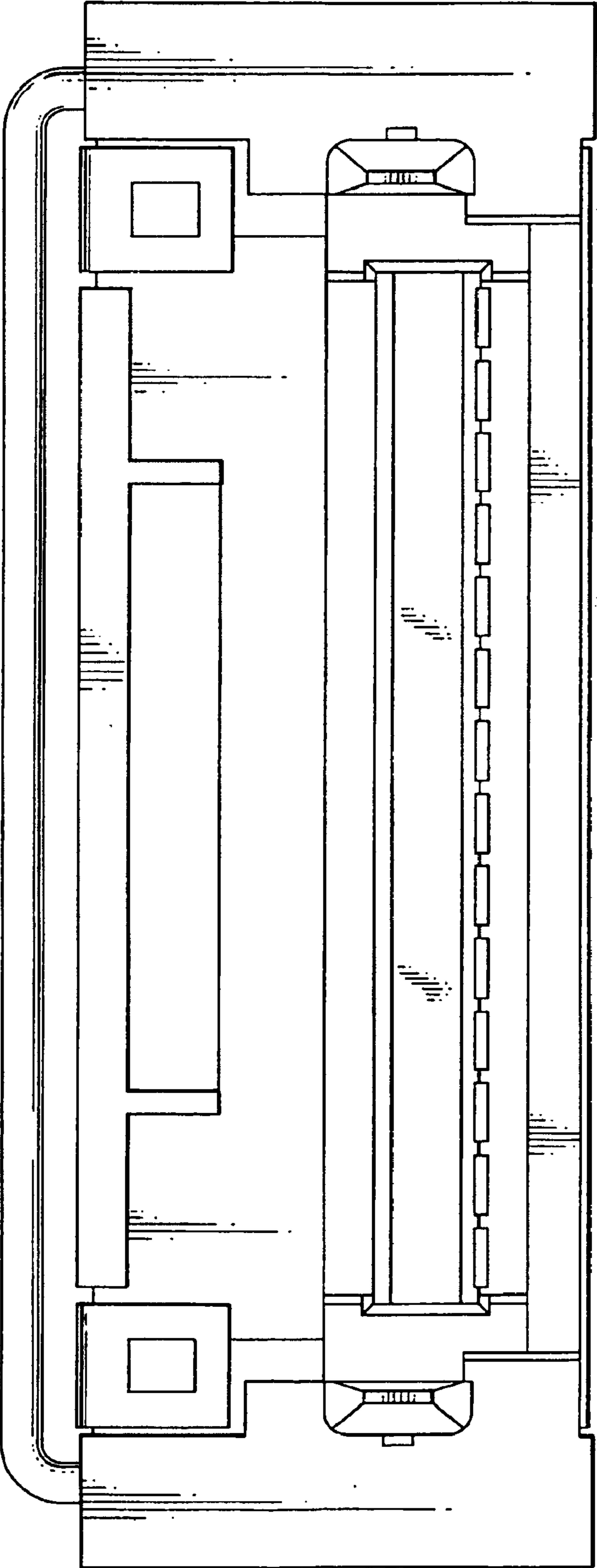


FIG. 3

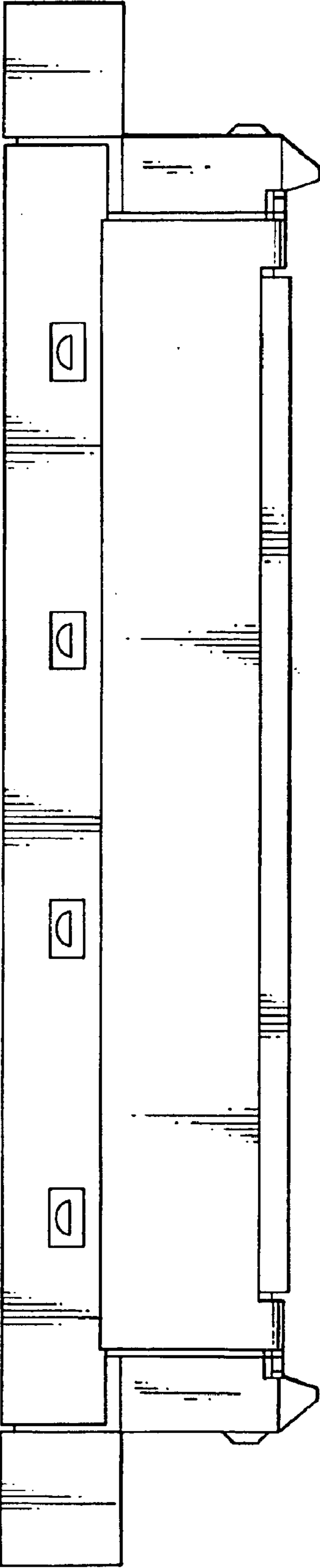


FIG. 4

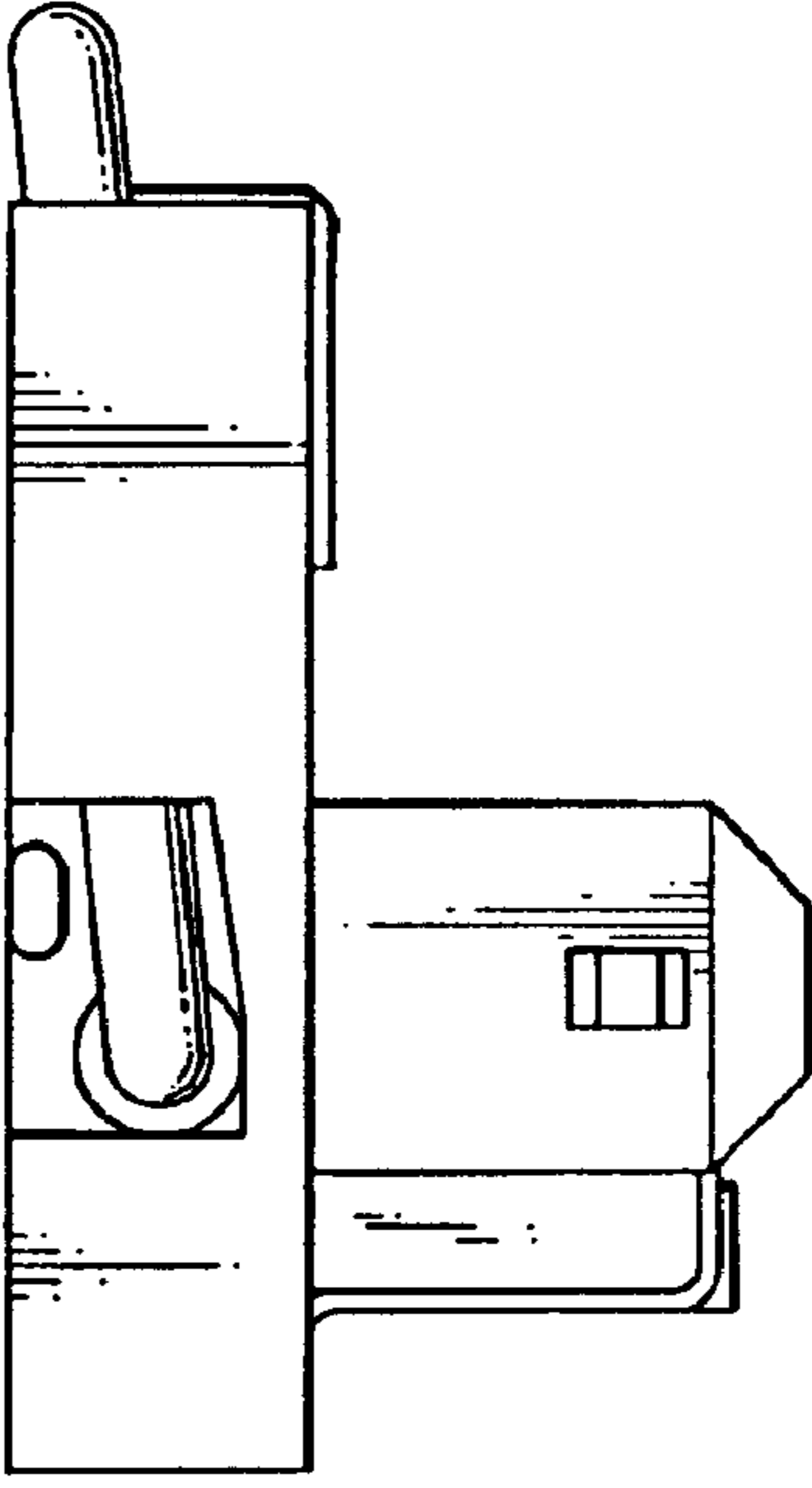


FIG. 5

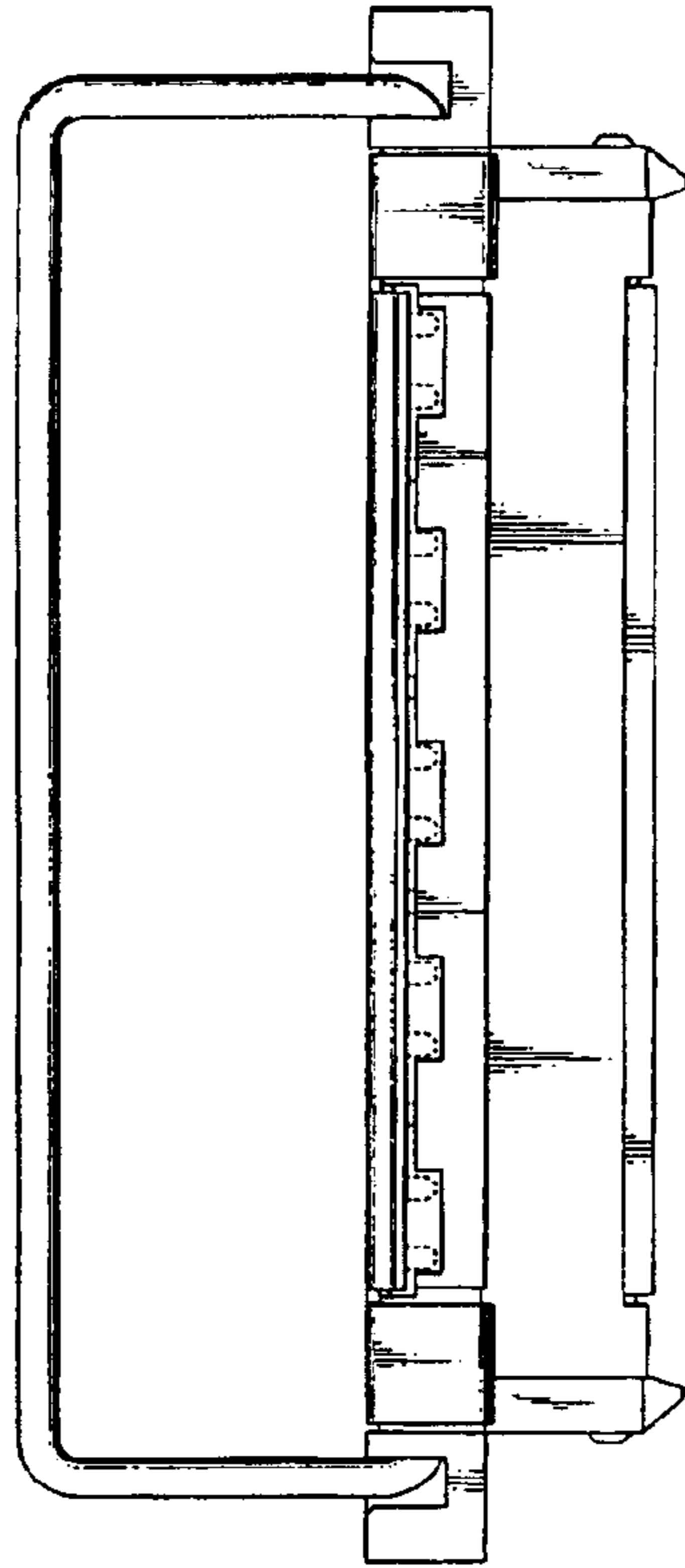


FIG. 7

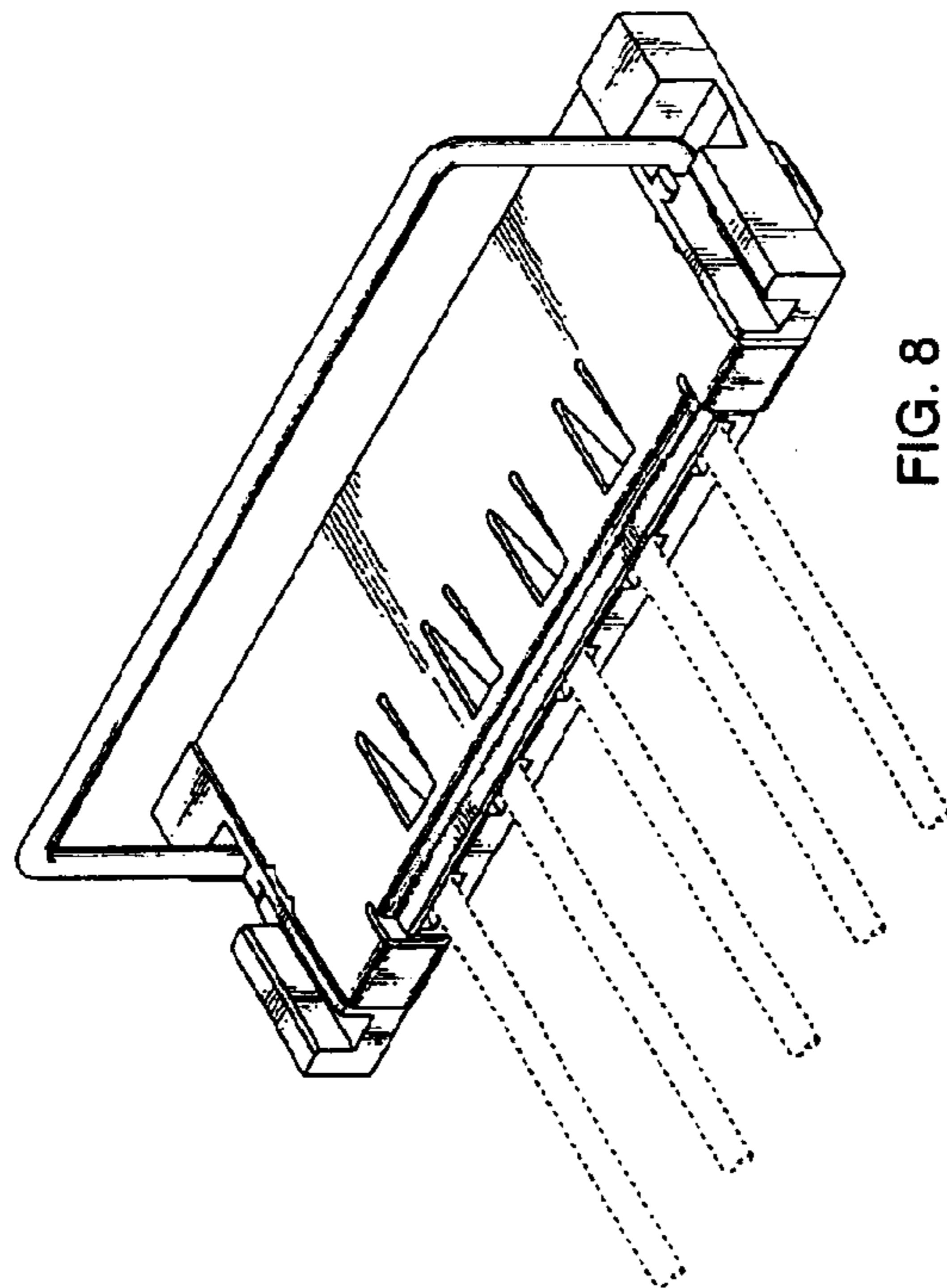


FIG. 8