

US00D506726S

(12) **United States Design Patent**
Suckle et al.

(10) **Patent No.:** **US D506,726 S**
(45) **Date of Patent:** **** Jun. 28, 2005**

(54) **LINE CONDITIONER**

(75) Inventors: **Mitchell Suckle**, Long Beach, CA (US); **Ernesto Quinteros**, Los Angeles, CA (US); **David Goetz**, Los Angeles, CA (US)

(73) Assignee: **Belkin Corporation**, Compton, CA (US)

(**) Term: **14 Years**

(21) Appl. No.: **29/197,005**

(22) Filed: **Jan. 7, 2004**

(51) **LOC (8) Cl.** **13-02**

(52) **U.S. Cl.** **D13/110**

(58) **Field of Search** D13/101, 110, D13/112, 118, 162, 164, 184, 199; 307/72, 85-87, 150-151; 361/643, 728

(56) **References Cited**

U.S. PATENT DOCUMENTS

D356,297 S	*	3/1995	Carl et al.	D13/160
D366,248 S	*	1/1996	Owens	D13/184
5,589,718 A	*	12/1996	Lee	307/72
5,649,839 A	*	7/1997	Yu	439/650
D392,615 S	*	3/1998	Basile	D13/123
D405,092 S	*	2/1999	Ohshima et al.	D14/239
D451,883 S	*	12/2001	Reynolds	D13/110

D452,475 S	*	12/2001	Reynolds	D13/110
D458,218 S	*	6/2002	Reynolds	D13/110
D462,658 S	*	9/2002	Reynolds	D13/110
D464,617 S	*	10/2002	Reynolds	D13/110

* cited by examiner

Primary Examiner—Stella Reid

Assistant Examiner—Daniel Bui

(74) *Attorney, Agent, or Firm*—Bryan Cave LLP

(57) **CLAIM**

We claim the ornamental design for a line conditioner, as shown and described.

DESCRIPTION

FIG. 1 is a top planar view of the line conditioner, showing our new design;

FIG. 2 is a bottom planar view thereof;

FIG. 3 is a front elevational view thereof;

FIG. 4 is a rear elevational view thereof;

FIG. 5 is a right side elevational view thereof;

FIG. 6 is a left side elevational view thereof;

FIG. 7 is a rear, right, top isometric view thereof on an enlarged scale; and,

FIG. 8 is a front, left, bottom isometric view thereof on an enlarged scale.

The broken lines in the drawings are for illustrative purposes only and form no part of the claimed design.

1 Claim, 3 Drawing Sheets

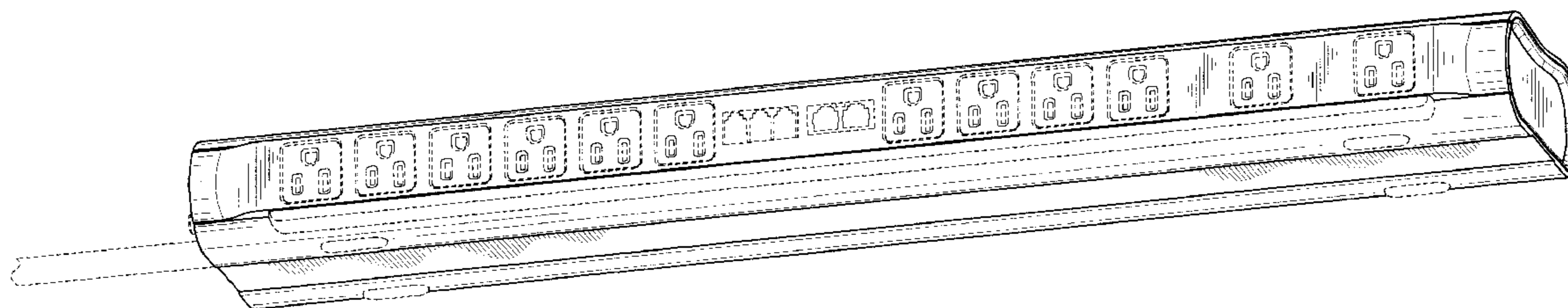
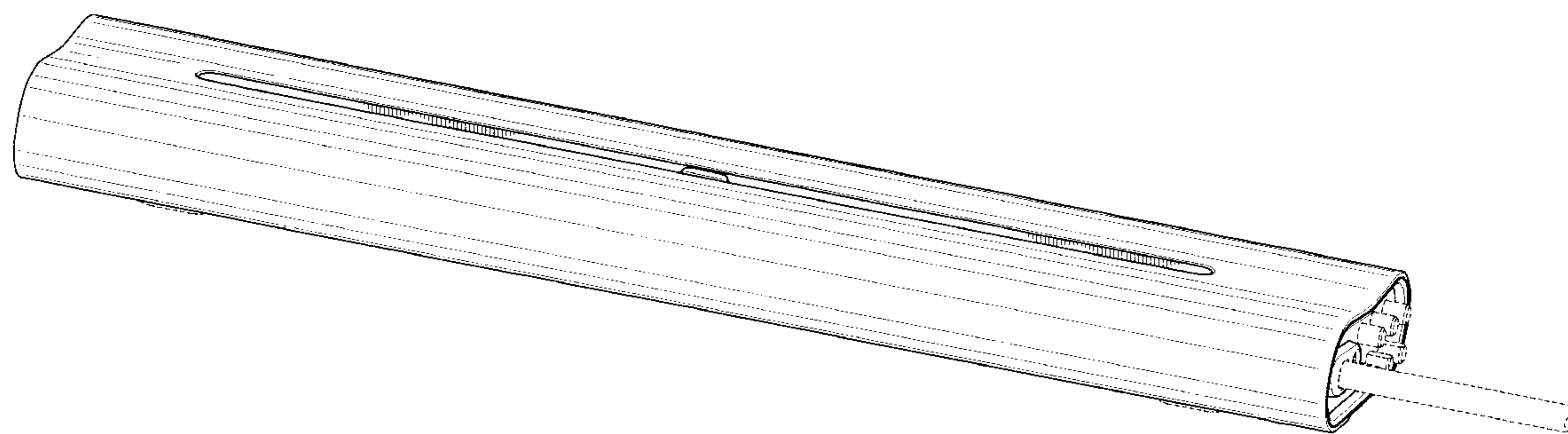


FIG.1

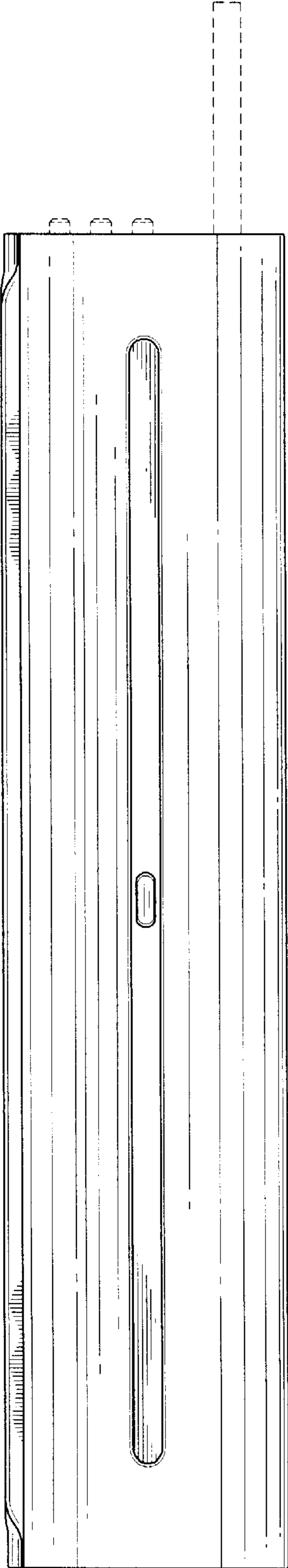
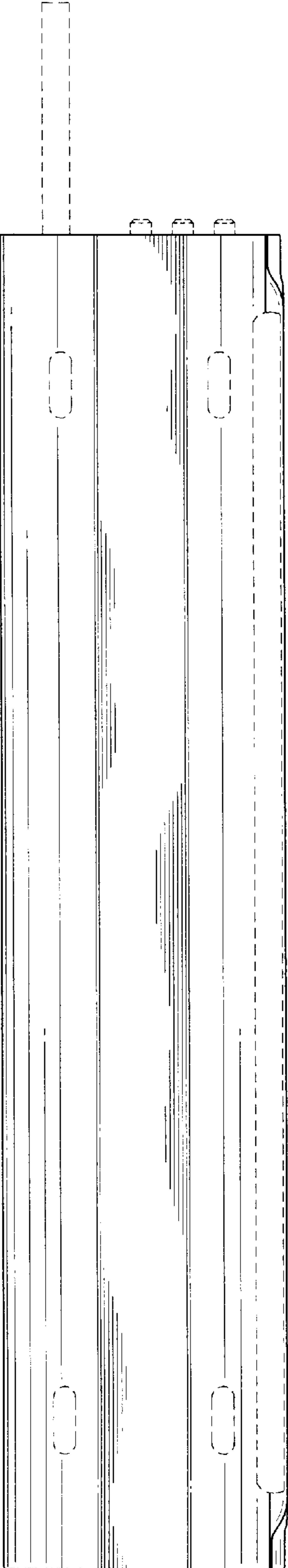


FIG.2



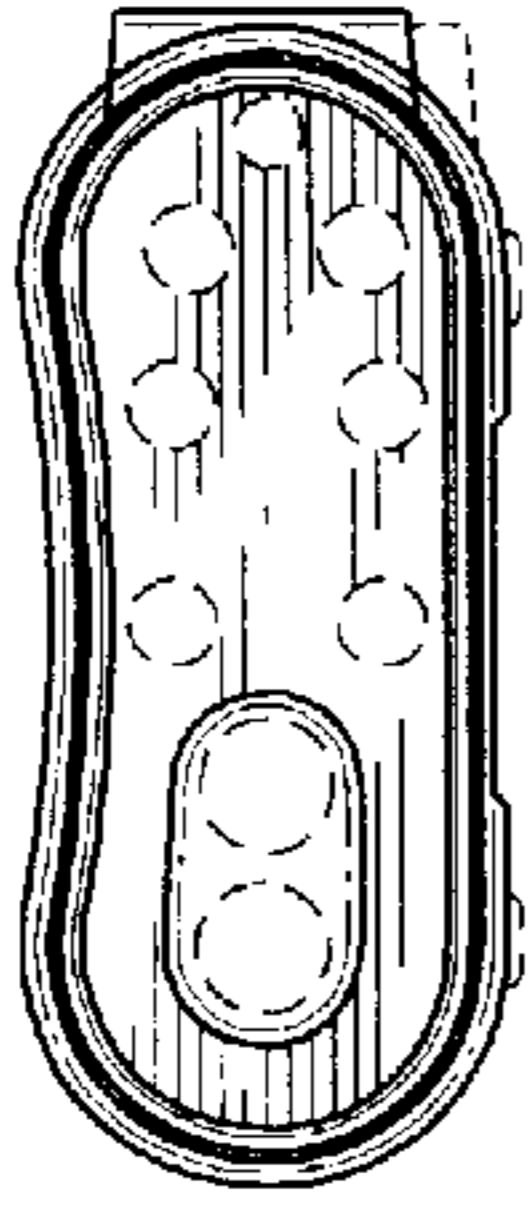


FIG. 4

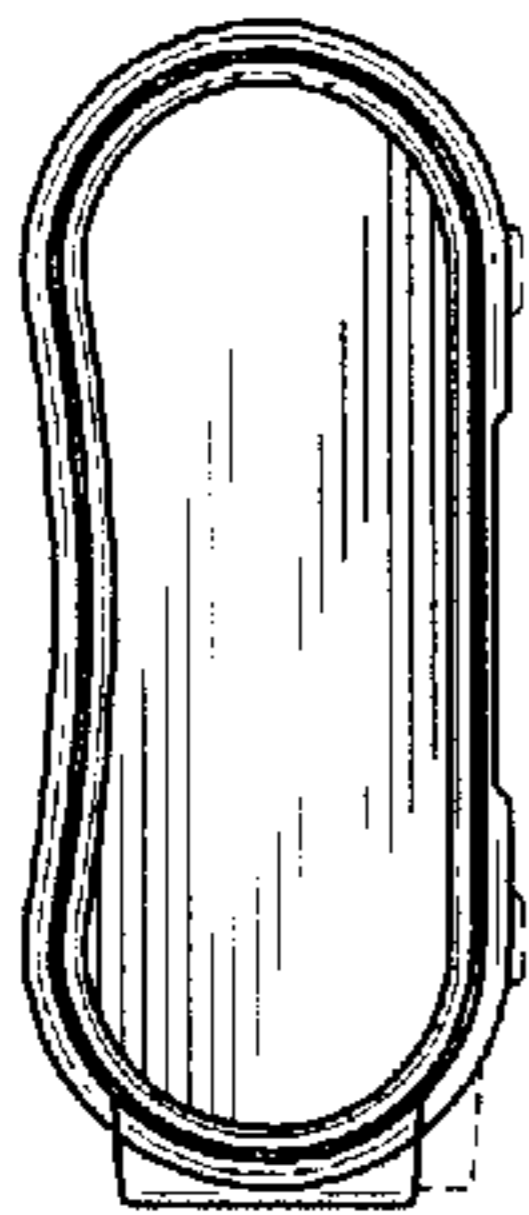


FIG. 3

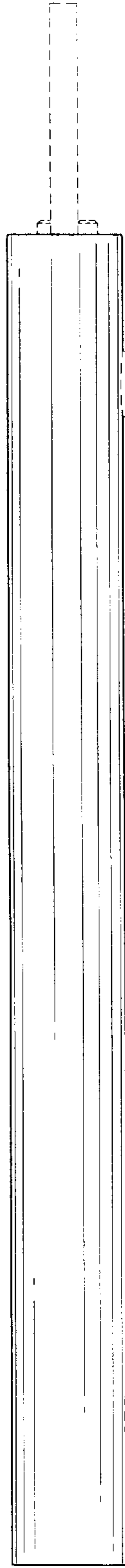


FIG. 5

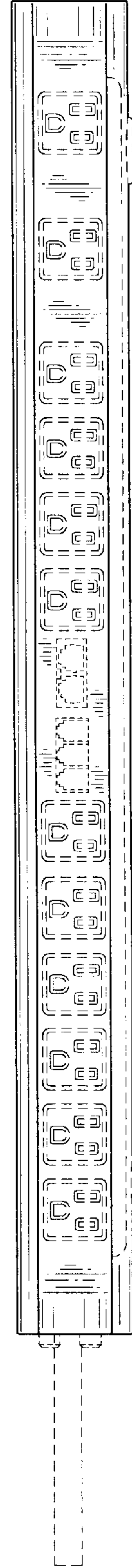


FIG. 6

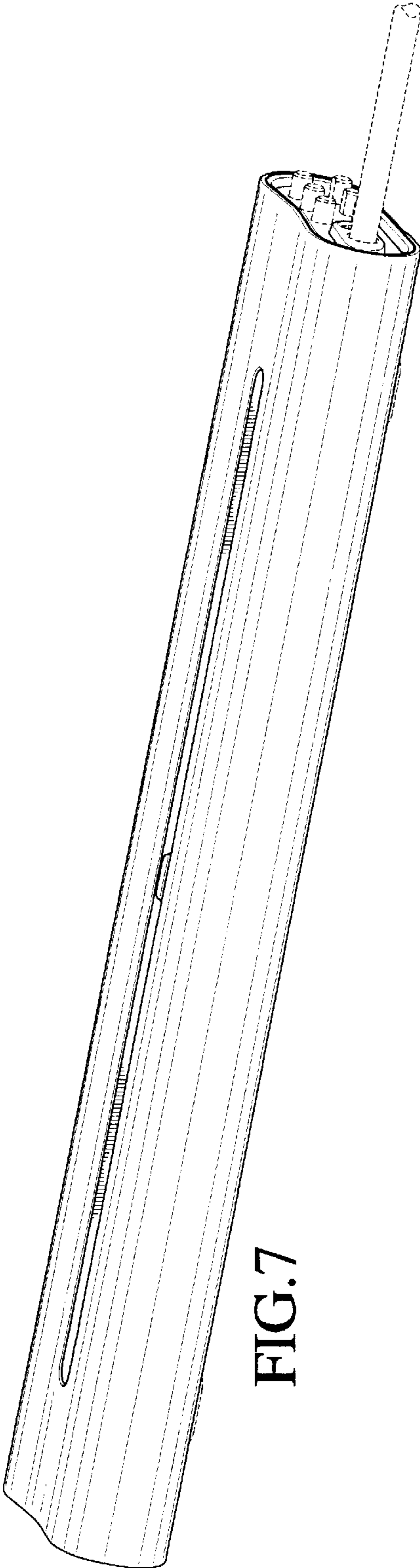


FIG. 7

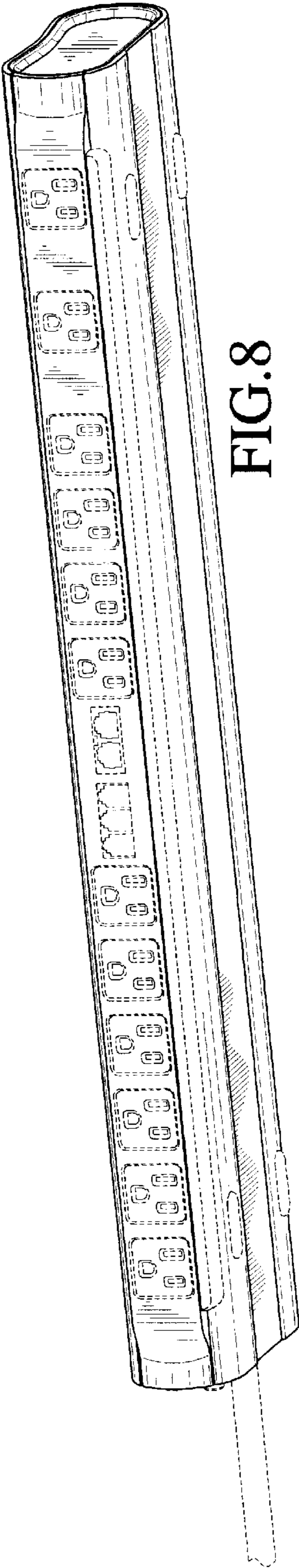


FIG. 8