

US00D506724S

(12) **United States Design Patent**  
**Hriscu et al.**

(10) **Patent No.:** **US D506,724 S**  
(45) **Date of Patent:** **\*\* Jun. 28, 2005**

(54) **PORTABLE BATTERY CHARGER**

(75) Inventors: **Marius George Hriscu**, Vancouver (CA); **Timothy Donald Attridge**, West Vancouver (CA); **Tony Ziccardi**, Vancouver (CA); **Lawrence C. Neill**, Vancouver (CA); **Neena Rahemtulla**, Vancouver (CA); **Alexander Jeffrey Feldman**, Vancouver (CA); **Matthew Sean Kuzminski**, Vancouver (CA); **Robbie Gordon Roberts**, New Westminster (CA); **John Hung**, North Vancouver (CA); **Peter Tai Kwong Cheung**, Richmond (CA)

(73) Assignee: **Xantrex International**, The Garrison St. Michael (BB)

(\*\*) Term: **14 Years**

(21) Appl. No.: **29/206,893**

(22) Filed: **Jun. 7, 2004**

(51) **LOC (8) Cl.** ..... **13-02**

(52) **U.S. Cl.** ..... **D13/107**

(58) **Field of Search** ..... D3/282; D13/106-108, D13/110; D14/251, 253; 307/64, 66, 150; 320/104, 105, 107-116, 132

(56) **References Cited**

**U.S. PATENT DOCUMENTS**

D420,324 S \* 2/2000 Wan ..... D13/107  
6,215,273 B1 \* 4/2001 Shy ..... 320/105  
D444,125 S \* 6/2001 Shy ..... D13/110  
D462,320 S \* 9/2002 Krieger et al. .... D13/107

D475,966 S \* 6/2003 Chunn et al. .... D13/108  
D482,869 S \* 12/2003 Chen ..... D3/282  
D483,326 S \* 12/2003 Krieger et al. .... D13/107  
D486,446 S \* 2/2004 Hriscu et al. .... D13/110  
D491,139 S \* 6/2004 Krieger et al. .... D13/107  
D491,140 S \* 6/2004 Krieger et al. .... D13/107  
D491,141 S \* 6/2004 Krieger et al. .... D13/107  
D493,421 S \* 7/2004 Krieger et al. .... D13/107  
D493,770 S \* 8/2004 Krieger et al. .... D13/107

**OTHER PUBLICATIONS**

3 sheets of drawings FORM<sup>3</sup>, Xantrex Technology Inc., Power Pack Concepts 02.11.13.

\* cited by examiner

*Primary Examiner*—Alan P. Douglas  
*Assistant Examiner*—Rosemary Tarca

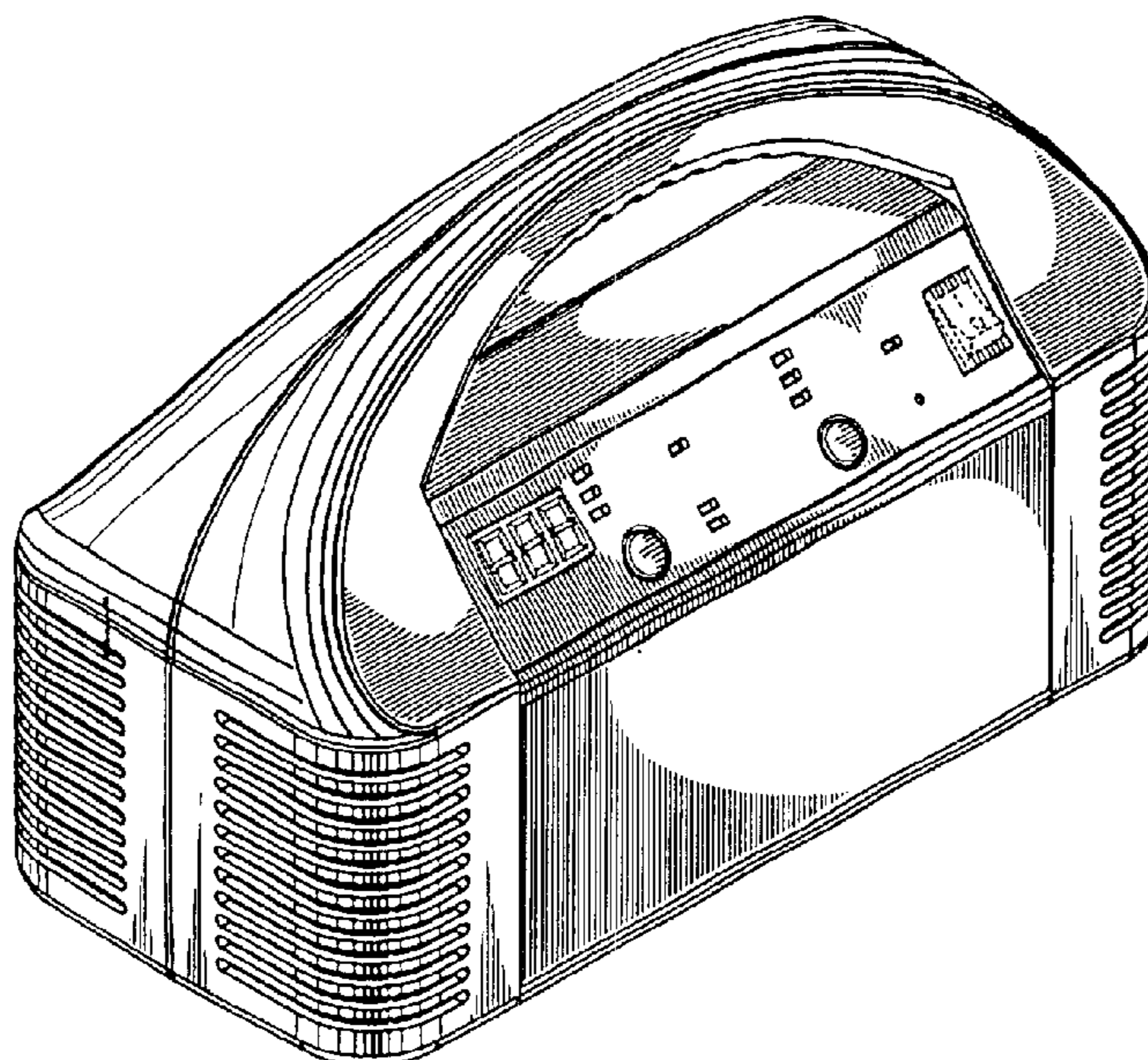
(57) **CLAIM**

The ornamental design for portable battery charger, as shown and described.

**DESCRIPTION**

FIG. 1 is a top perspective view of a portable battery charger showing our new design;  
FIG. 2 is a top plan view thereof;  
FIG. 3 is a front elevational view thereof;  
FIG. 4 is a bottom plan view thereof;  
FIG. 5 is a rear elevational view thereof;  
FIG. 6 is a left side elevational view thereof; and,  
FIG. 7 is a right side elevational view thereof.  
The broken lines displayed in the figures depict environmental structure for illustrative purposes only and form no part of the claimed design.

**1 Claim, 4 Drawing Sheets**



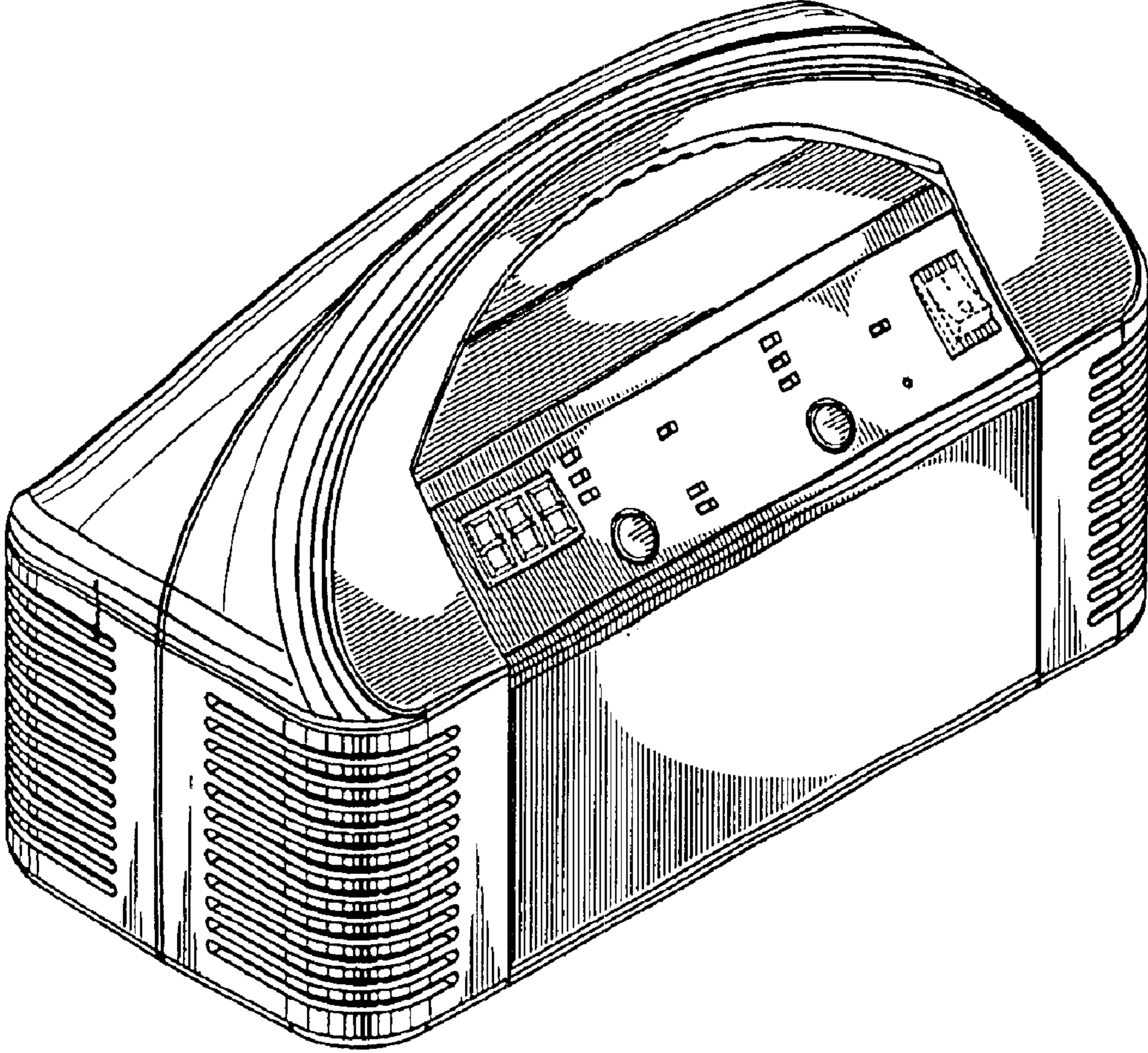


FIG. 1

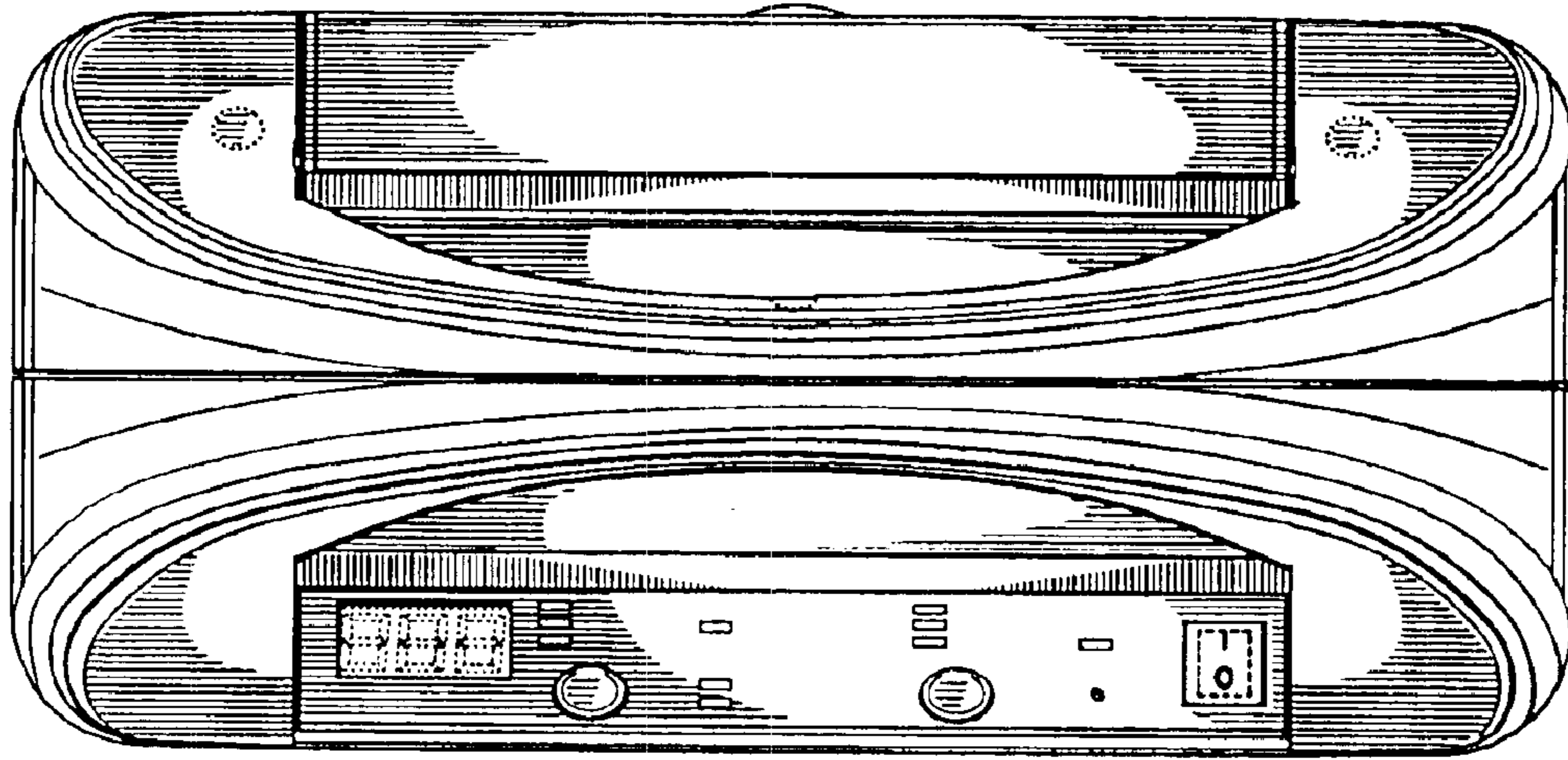


FIG. 2

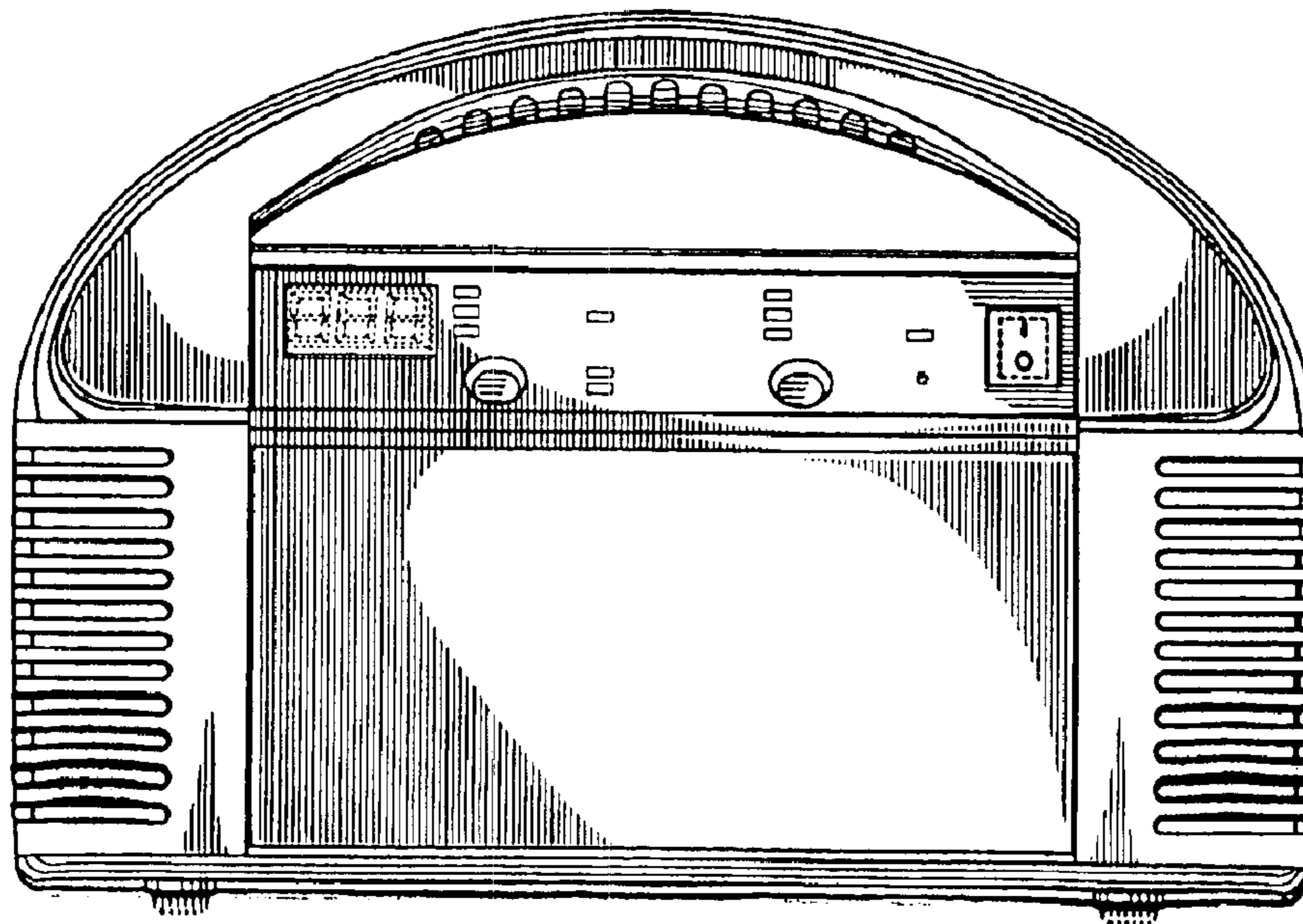


FIG. 3

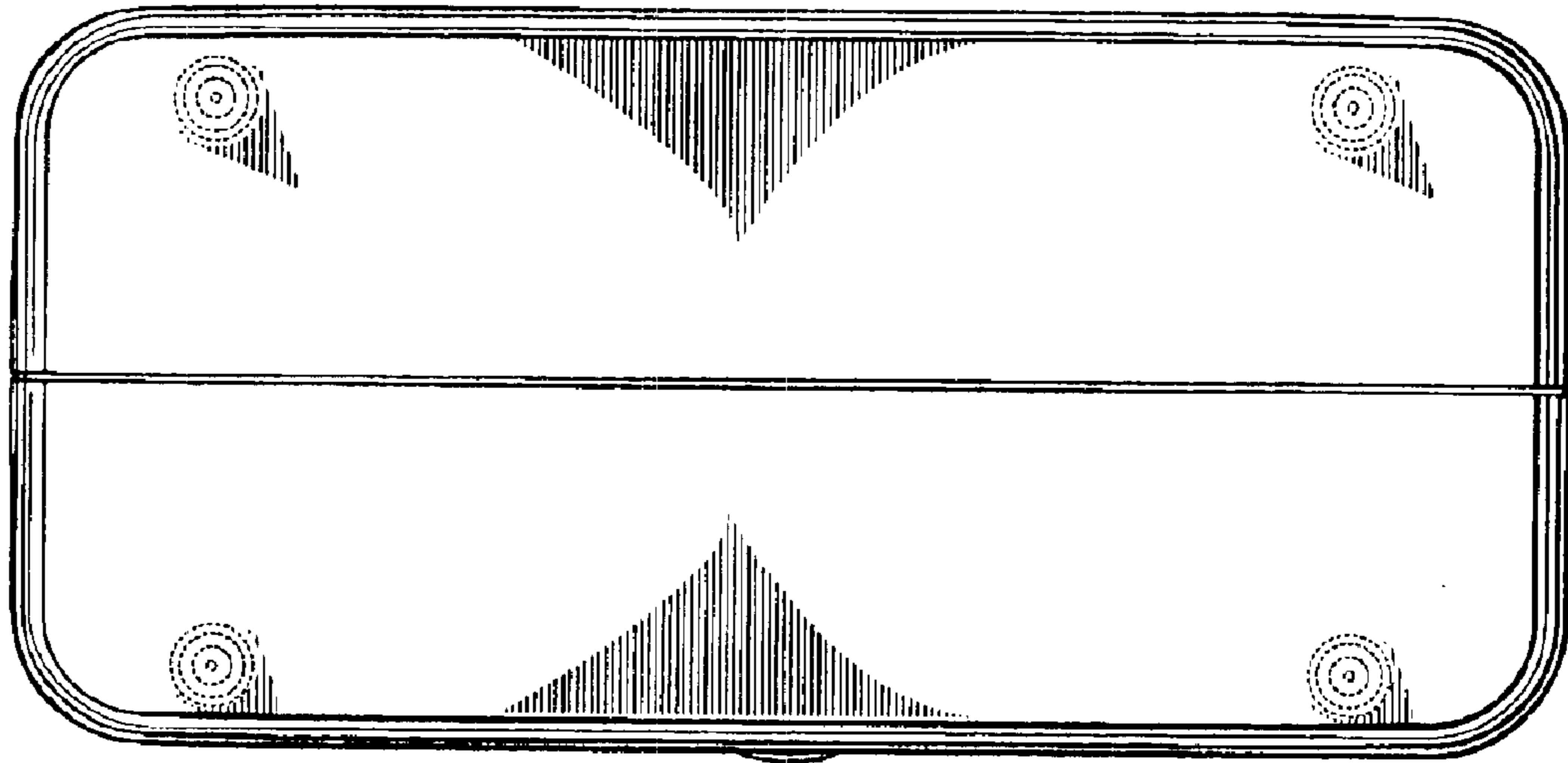


FIG. 4

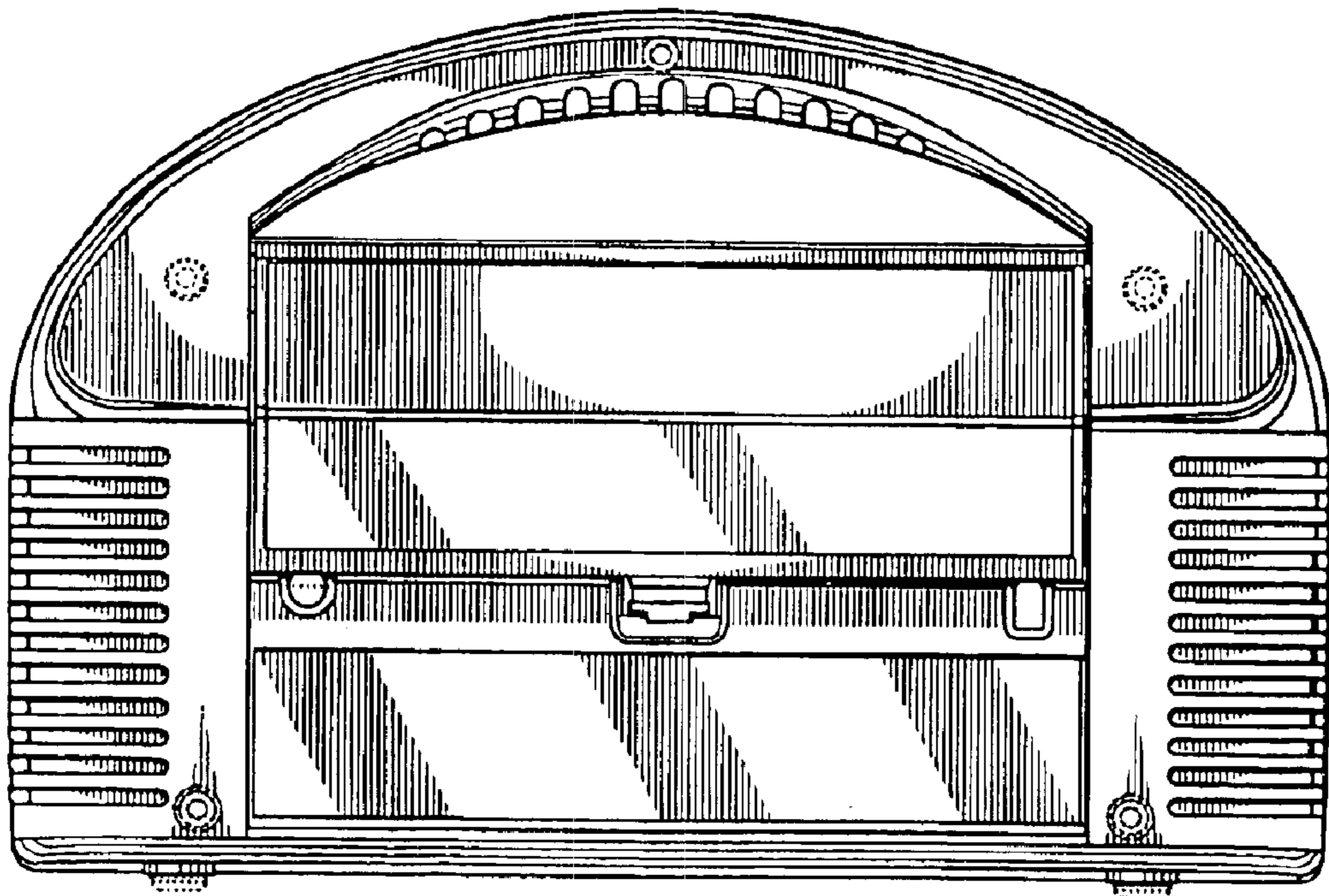


FIG. 5

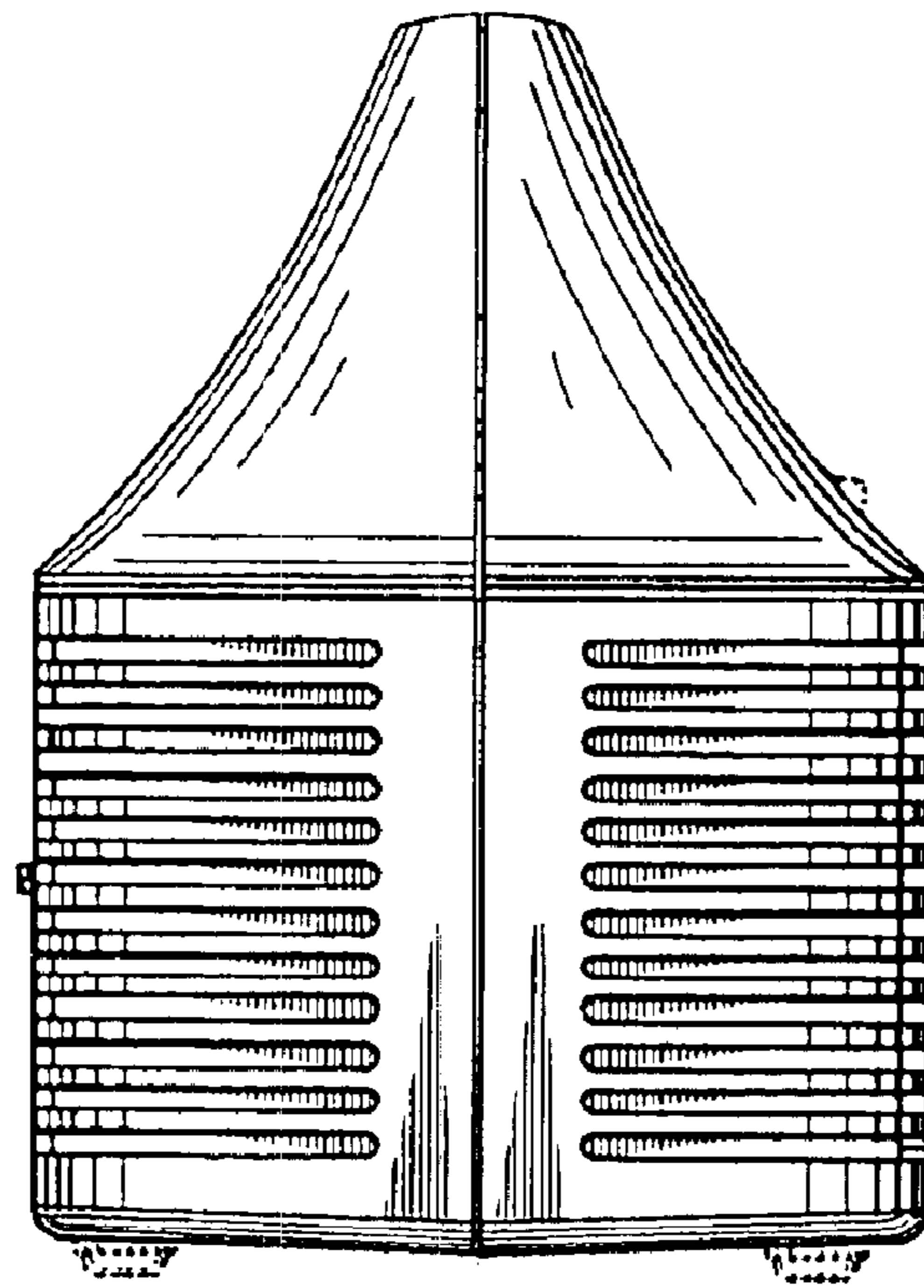


FIG. 6

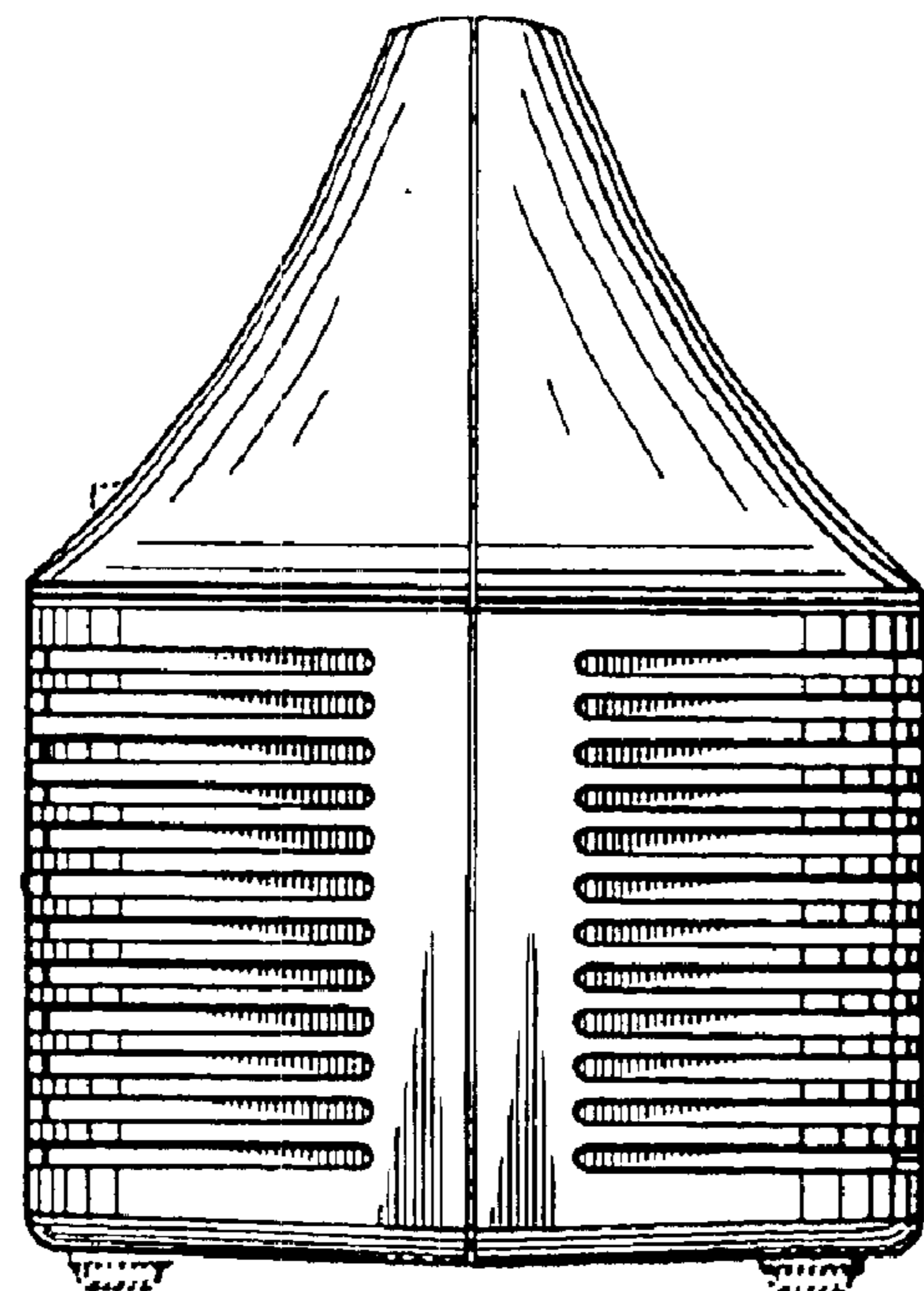


FIG. 7