

US00D506723S

(12) **United States Design Patent**
Krieger et al.

(10) **Patent No.: US D506,723 S**
(45) **Date of Patent: ** Jun. 28, 2005**

- (54) **BATTERY CHARGER**
- (75) Inventors: **Michael Krieger**, Miami Beach, FL (US); **Kevin Ellsworth**, Hollywood, FL (US)
- (73) Assignee: **Vector Products, Inc.**, Ft. Lauderdale, FL (US)
- (**) Term: **14 Years**
- (21) Appl. No.: **29/202,029**
- (22) Filed: **Mar. 25, 2004**

D455,399 S	4/2002	Imamura et al.	D13/110
D456,667 S	5/2002	Veltri et al.	D7/387
D462,320 S	9/2002	Krieger et al.	D13/107
D463,952 S	10/2002	Zemel	D7/393
D464,935 S	10/2002	Krieger et al.	D13/110
D469,401 S	* 1/2003	Griffey et al.	D13/110
D474,151 S	* 5/2003	James et al.	D13/119
D474,644 S	5/2003	Zemel	D7/393
D474,738 S	5/2003	Ishii et al.	D13/110
D478,494 S	8/2003	Arnold	D8/107
D483,326 S	12/2003	Krieger et al.	D13/107
2001/0043052 A1	11/2001	Griffey et al.	320/114
2003/0149496 A1	8/2003	Johnson	700/91

Related U.S. Application Data

- (60) Division of application No. 29/183,223, filed on Jun. 10, 2003, now Pat. No. Des. 491,141, which is a continuation-in-part of application No. 29/175,908, filed on Feb. 13, 2003, now abandoned.
- (51) **LOC (8) Cl. 13-02**
- (52) **U.S. Cl. D13/107**
- (58) **Field of Search D13/106-110, D13/118; D14/188, 251, 253, 265; 320/104-105, 107-116; 439/501, 504**

References Cited

U.S. PATENT DOCUMENTS

D282,742 S	2/1986	Baum	D14/148
4,990,144 A	2/1991	Blott	604/304
D330,187 S	* 10/1992	Shimoo et al.	D13/107
D343,661 S	1/1994	Hur	D21/684
5,623,739 A	4/1997	Thompson	15/167.1
D386,148 S	* 11/1997	Katooka et al.	D13/110
D393,446 S	* 4/1998	Bellofatto et al.	D13/106
D417,429 S	* 12/1999	Brezovar et al.	D13/107
D423,451 S	* 4/2000	Heckenast et al.	D13/110
D429,482 S	8/2000	Hussaini et al.	D13/107
D432,985 S	* 10/2000	Wan	D13/107
6,215,273 B1	* 4/2001	Shy	320/105
D444,122 S	* 6/2001	Krieger et al.	D13/107
D444,125 S	* 6/2001	Shy	D13/110
D446,500 S	* 8/2001	Krieger et al.	D13/110
6,356,050 B1	3/2002	Hussaini	320/105

OTHER PUBLICATIONS

U.S. Appl. No. 29/182,824 filed Jun. 3, 2003, Krieger et al., now allowed.

(Continued)

Primary Examiner—Alan P. Douglas
Assistant Examiner—Rosemary Tarca
(74) *Attorney, Agent, or Firm*—Venable LLP; Robert Kinberg

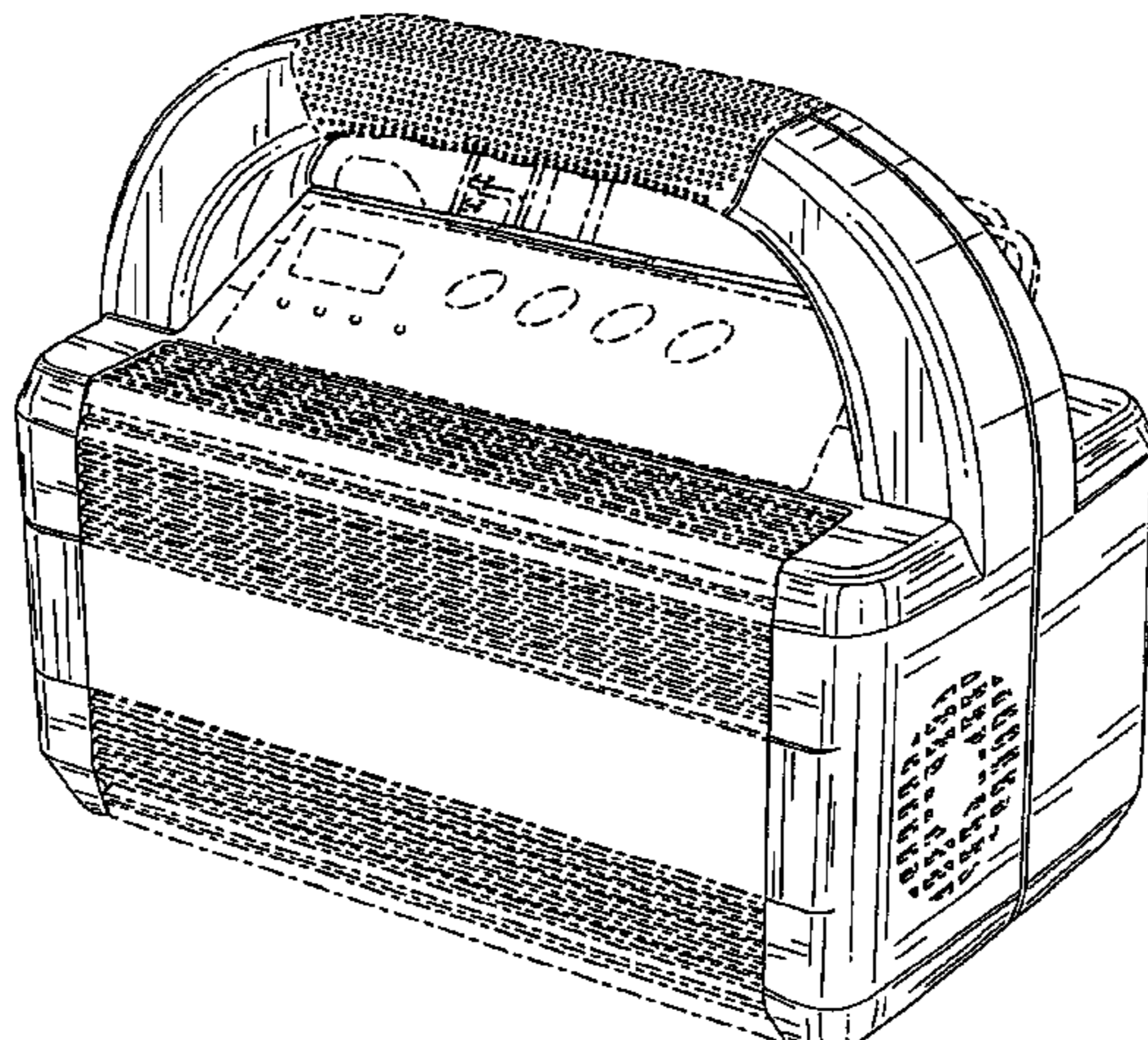
(57) **CLAIM**

The ornamental design for a battery charger, as shown and described.

DESCRIPTION

FIG. 1 is a perspective view from the front-top-right side of the battery charger showing our new design; FIG. 2 is a front view of the design shown in FIG. 1; FIG. 3 is a rear view of the design shown in FIG. 1; FIG. 4 is a right side view of the design shown in FIG. 1; FIG. 5 is a left side view of the design shown in FIG. 1; FIG. 6 is a top view of the design shown in FIG. 1; and, FIG. 7 is a bottom view of the design shown in FIG. 1. The broken lines immediately adjacent the shaded areas represent the bounds of the claimed design while all other broken lines are for illustrative purposes only; the broken lines form no part of the claimed design.

1 Claim, 7 Drawing Sheets



OTHER PUBLICATIONS

U.S. design application, a division of U.S. Appl. No. 29/182,824 filed Mar. 25, 2004, application serial number not yet assigned, Krieger et al.

U.S. Appl. No. 29/186,592 filed Jul. 21, 2003, Krieger et al.

U.S. Appl. No. 29/180,674 filed Apr. 30, 2003, Krieger et al., now allowed.

U.S. design application, a division of U.S. Appl. No. 29/180,674 filed Mar. 25, 2004, application serial number not yet assigned, Krieger et al.

U.S. Appl. No. 29/186,130 filed Jul. 10, 2003, Krieger et al.

U.S. Appl. No. 29/183,222 filed Jun. 10, 2003, Krieger et al.

U.S. design application, a division of U.S. Appl. No. 29/183,222 filed Mar. 25, 2004, application serial number not yet assigned, Krieger et al.

U.S. Appl. No. D483,326 S, Krieger et al, issued on Dec. 9, 2003.

* cited by examiner

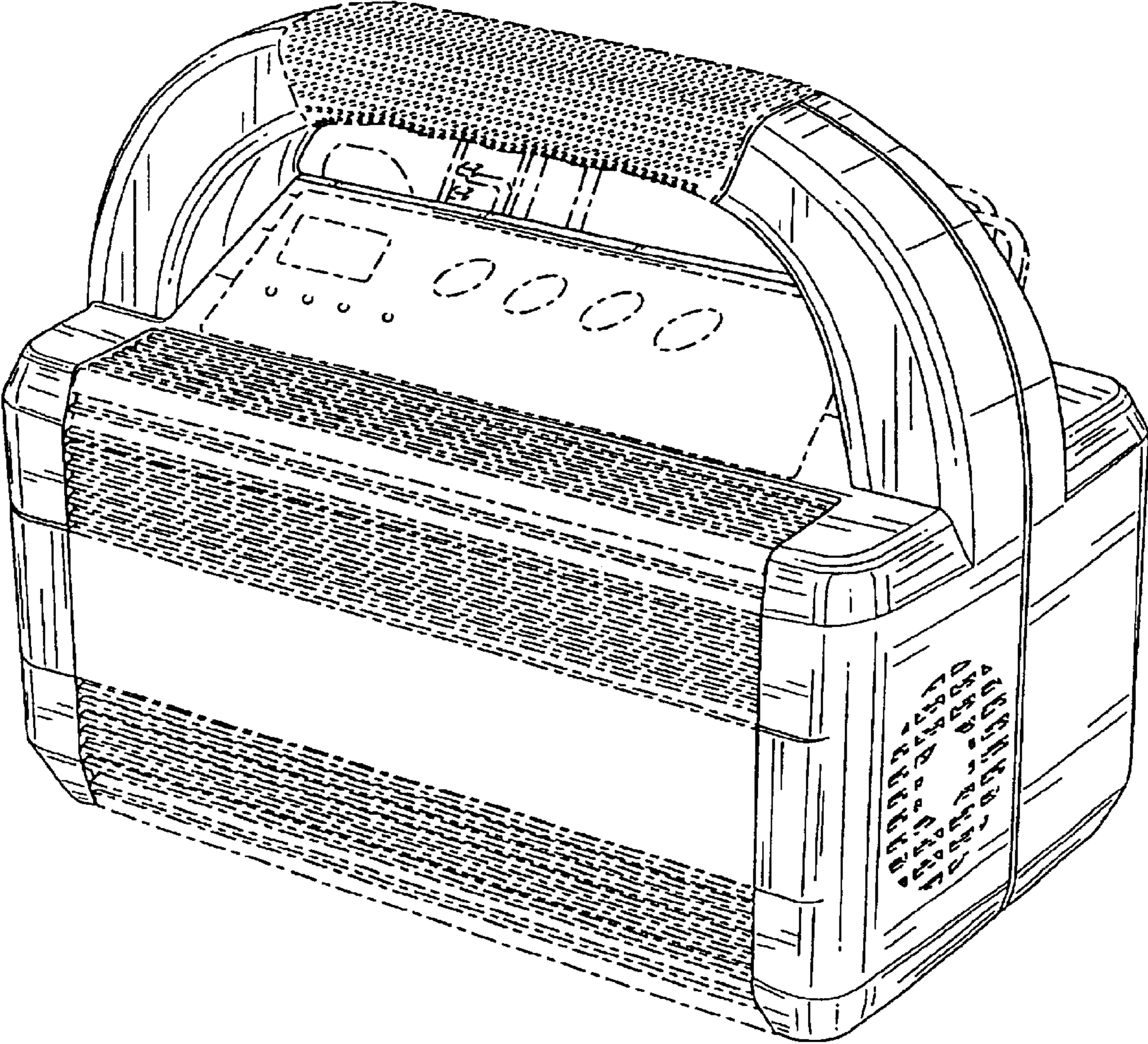


FIG. 1

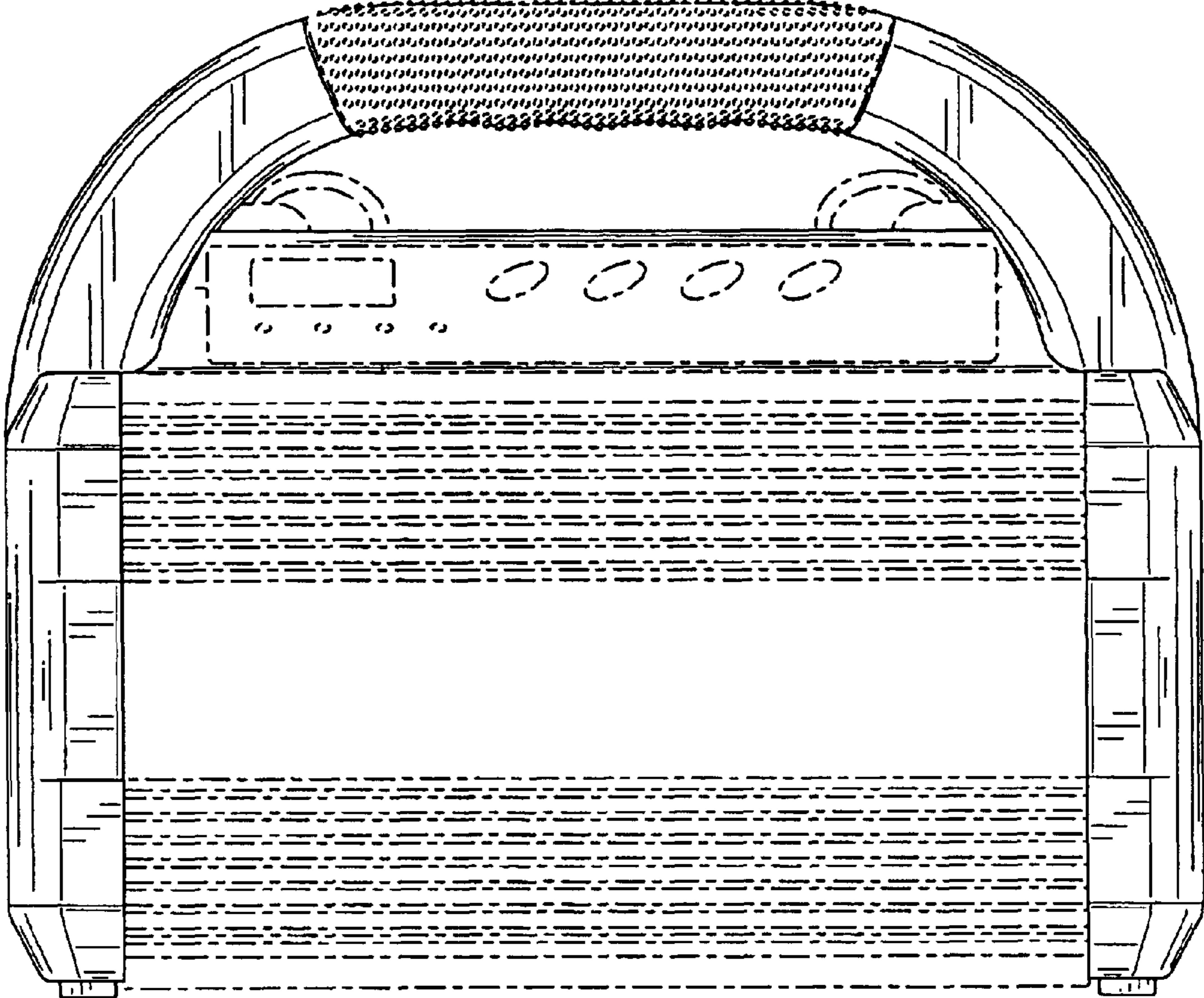


FIG. 2

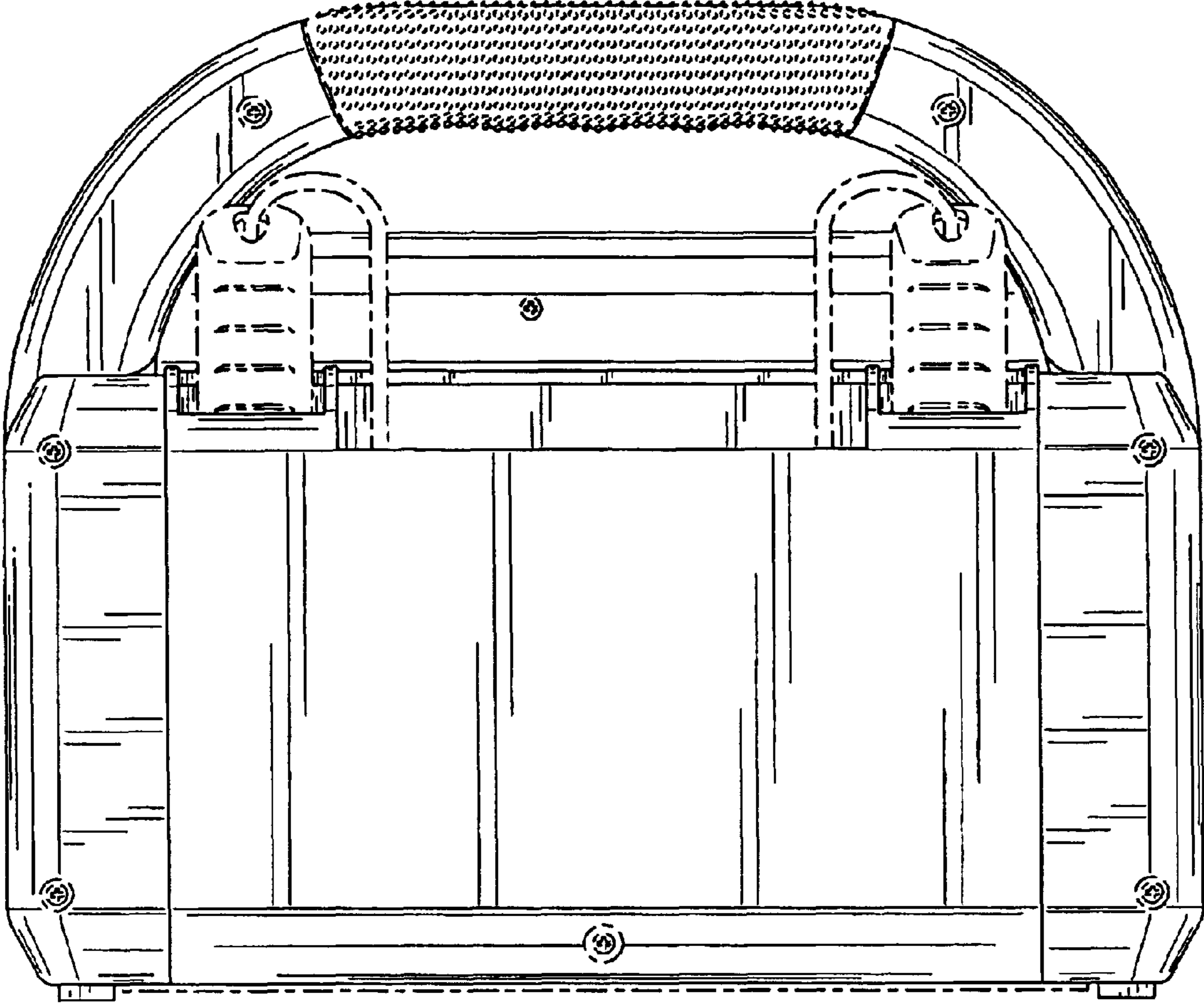


FIG. 3

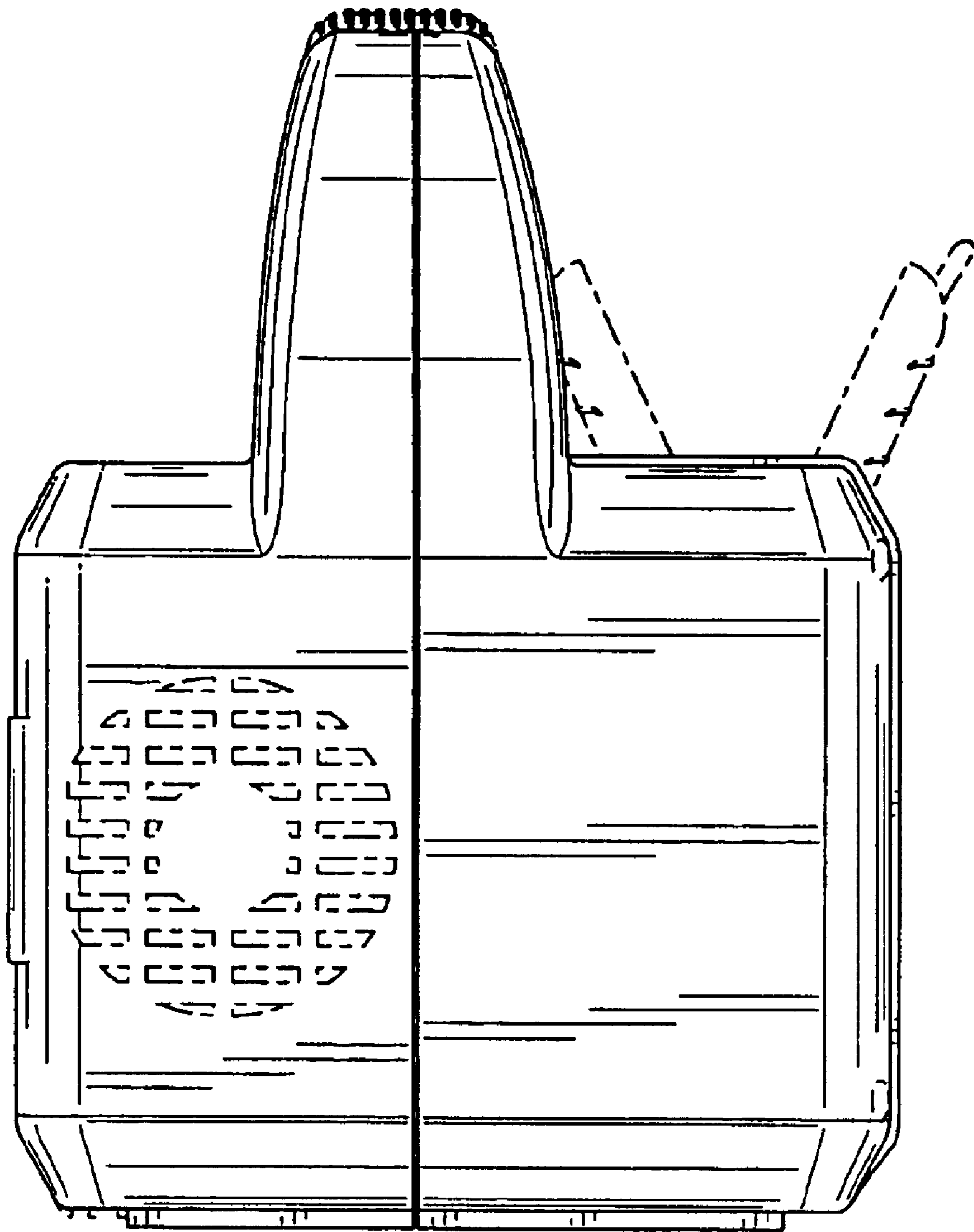


FIG. 4

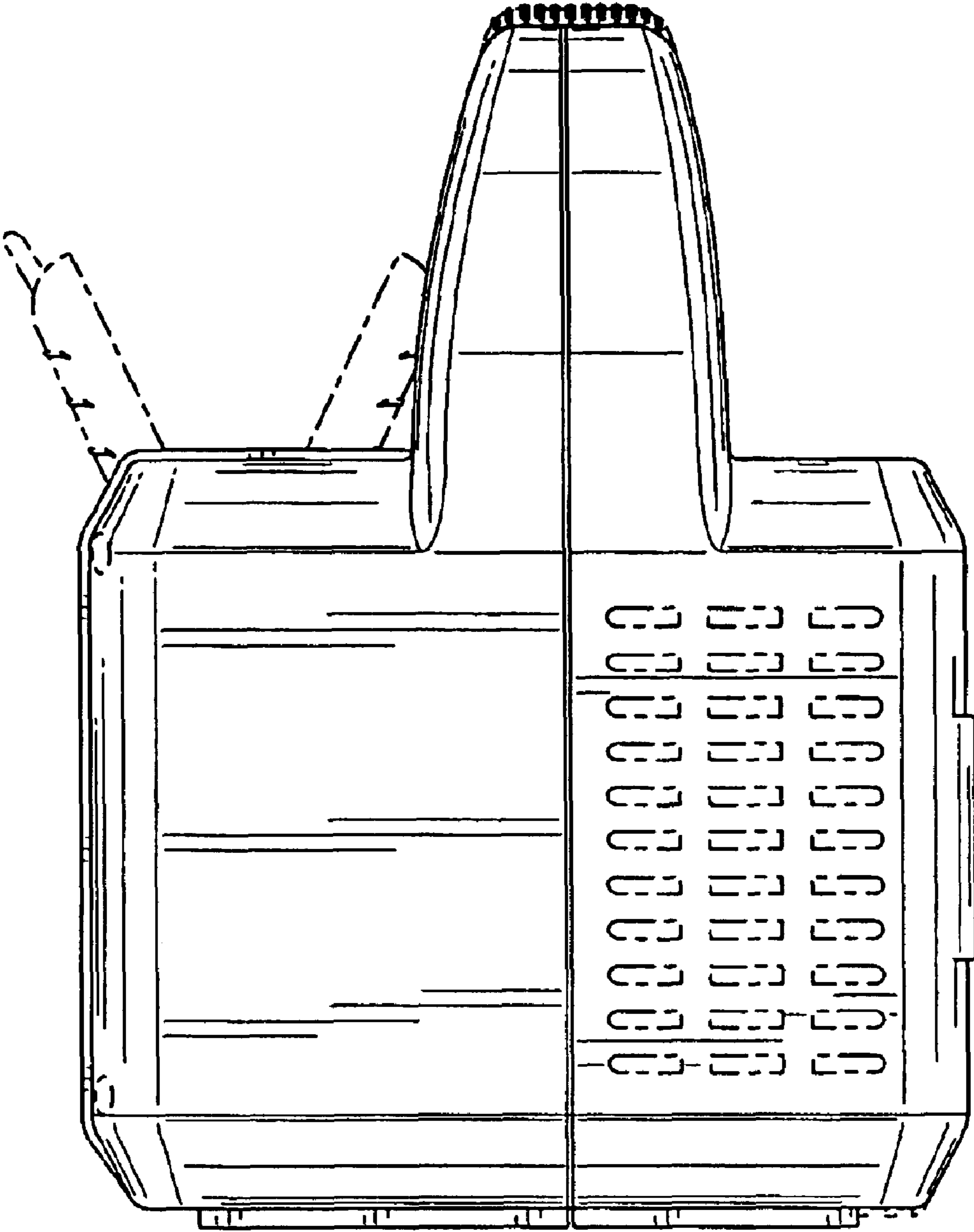


FIG. 5

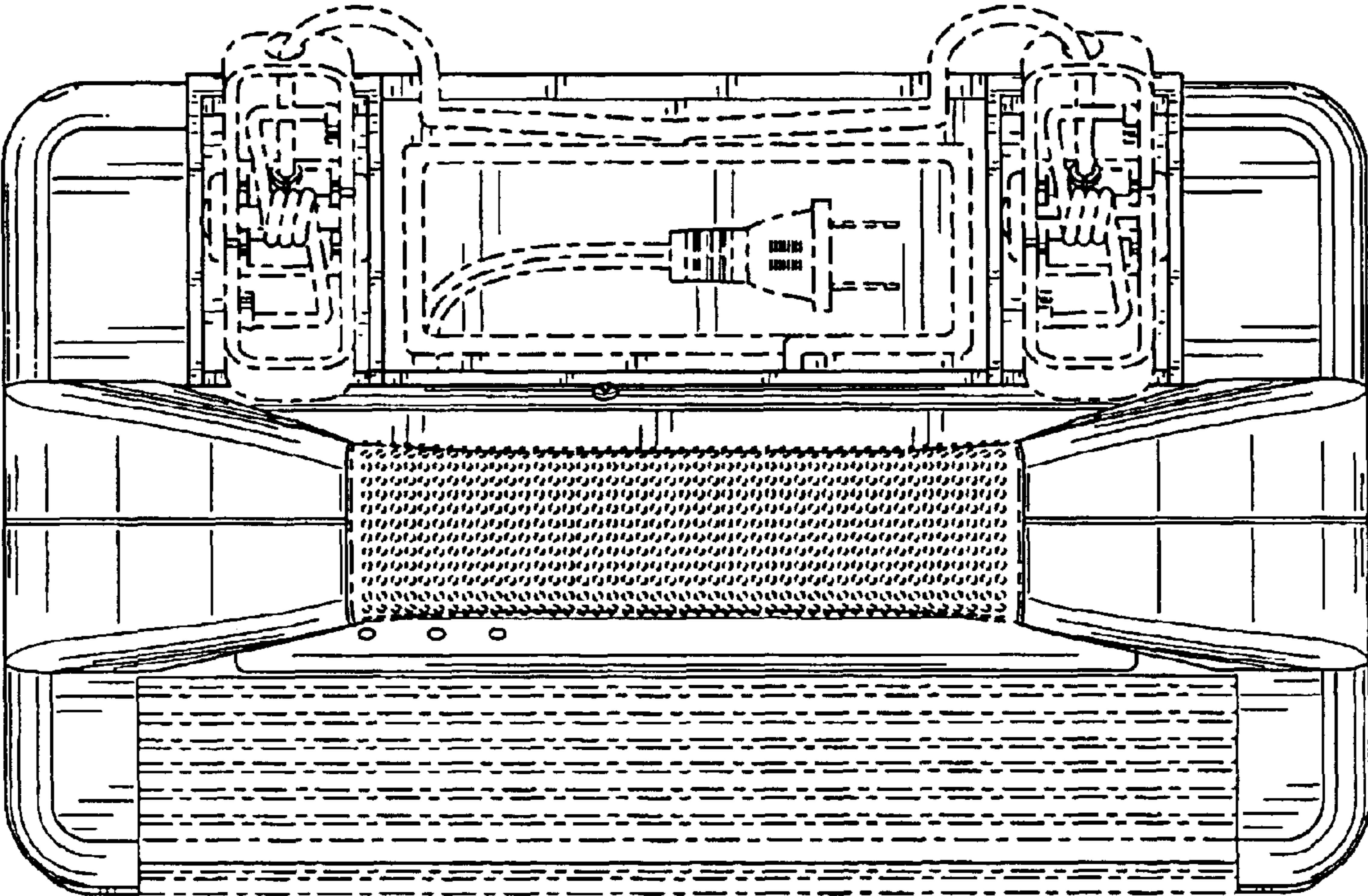


FIG. 6

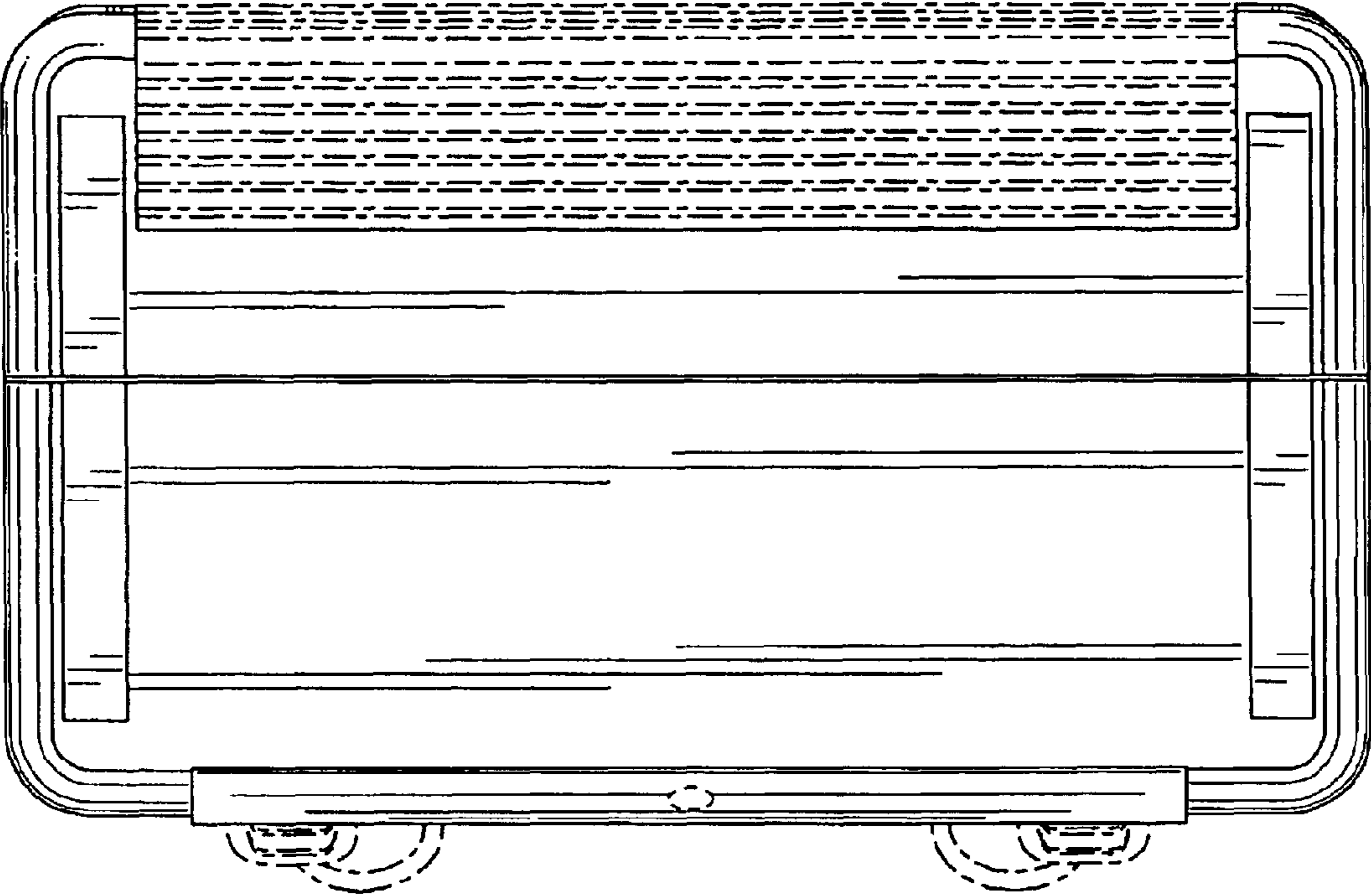


FIG. 7