

US00D506718S

(12) **United States Design Patent**
Szavits

(10) **Patent No.:** **US D506,718 S**
(45) **Date of Patent:** **** Jun. 28, 2005**

(54) **FRONT FACE OF A VEHICLE WHEEL**

(75) **Inventor:** **Michael Szavits, Munich (DE)**

(73) **Assignee:** **Bayerische Motoren Werke
Aktiengesellschaft, Munich (DE)**

(**) **Term:** **14 Years**

(21) **Appl. No.:** **29/214,254**

(22) **Filed:** **Sep. 30, 2004**

(51) **LOC (8) Cl.** **12-16**

(52) **U.S. Cl.** **D12/209**

(58) **Field of Search** **D12/204-213;**
301/37.101, 64.101, 65

(56) **References Cited**

U.S. PATENT DOCUMENTS

3,726,672 A * 4/1973 Lindberg et al. D12/211
D419,517 S * 1/2000 Sacco et al. D12/211

D454,531 S * 3/2002 Amatino D12/211
D480,672 S * 10/2003 Pfeiffer et al. D12/209
D491,128 S * 6/2004 Hall et al. D12/211
D494,120 S * 8/2004 Pfeiffer D12/209
D499,681 S * 12/2004 Boyer D12/209

* cited by examiner

Primary Examiner—Stacia Cadmus

(74) *Attorney, Agent, or Firm*—Crowell & Moring LLP

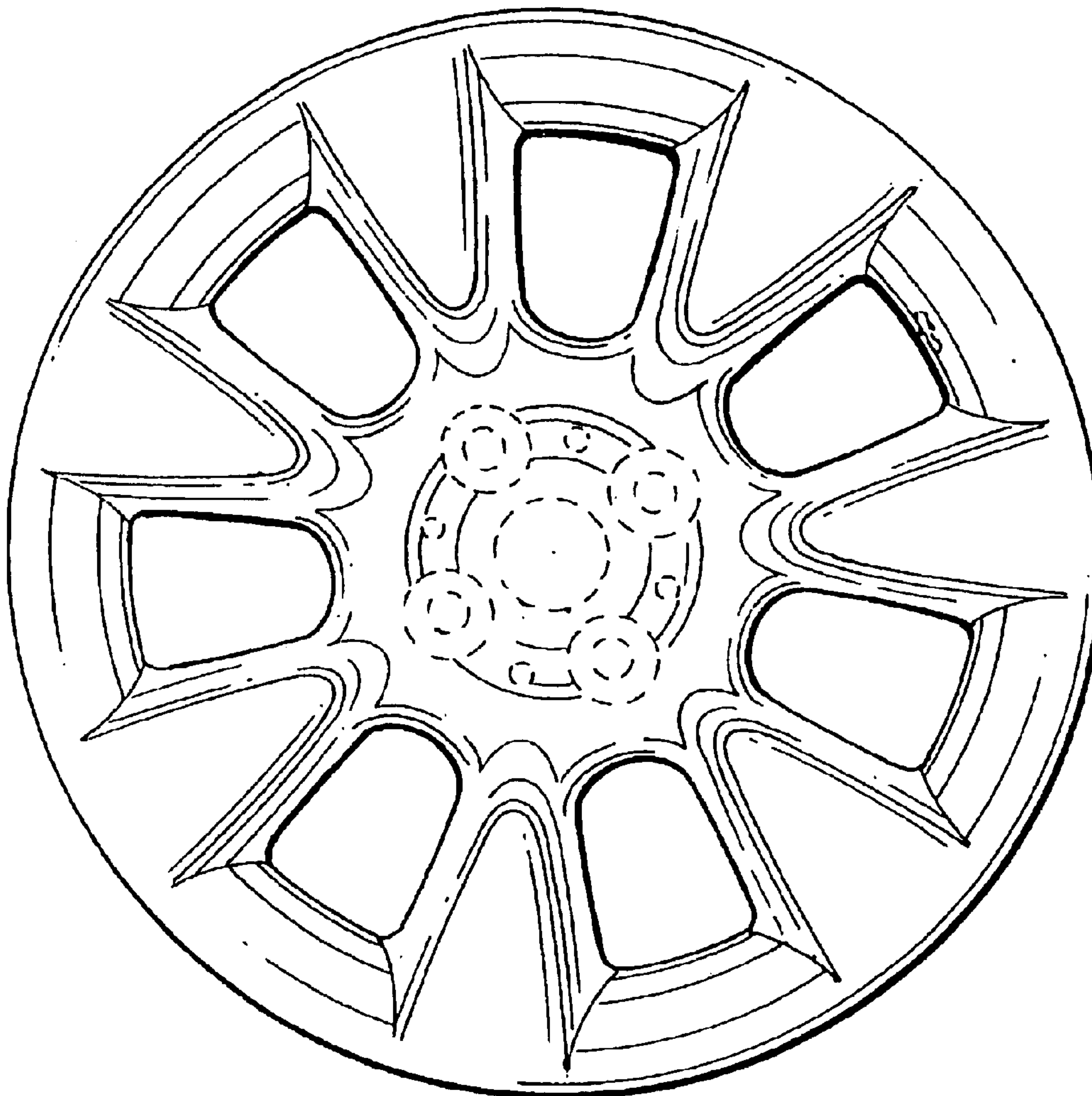
(57) **CLAIM**

The ornamental design for a front face of a vehicle wheel,
as shown and described.

DESCRIPTION

FIG. 1 is a front view of a front face of a vehicle wheel
according to my novel design; and,
FIG. 2 is a perspective view of the front face of a vehicle
wheel according to my novel design.

1 Claim, 1 Drawing Sheet



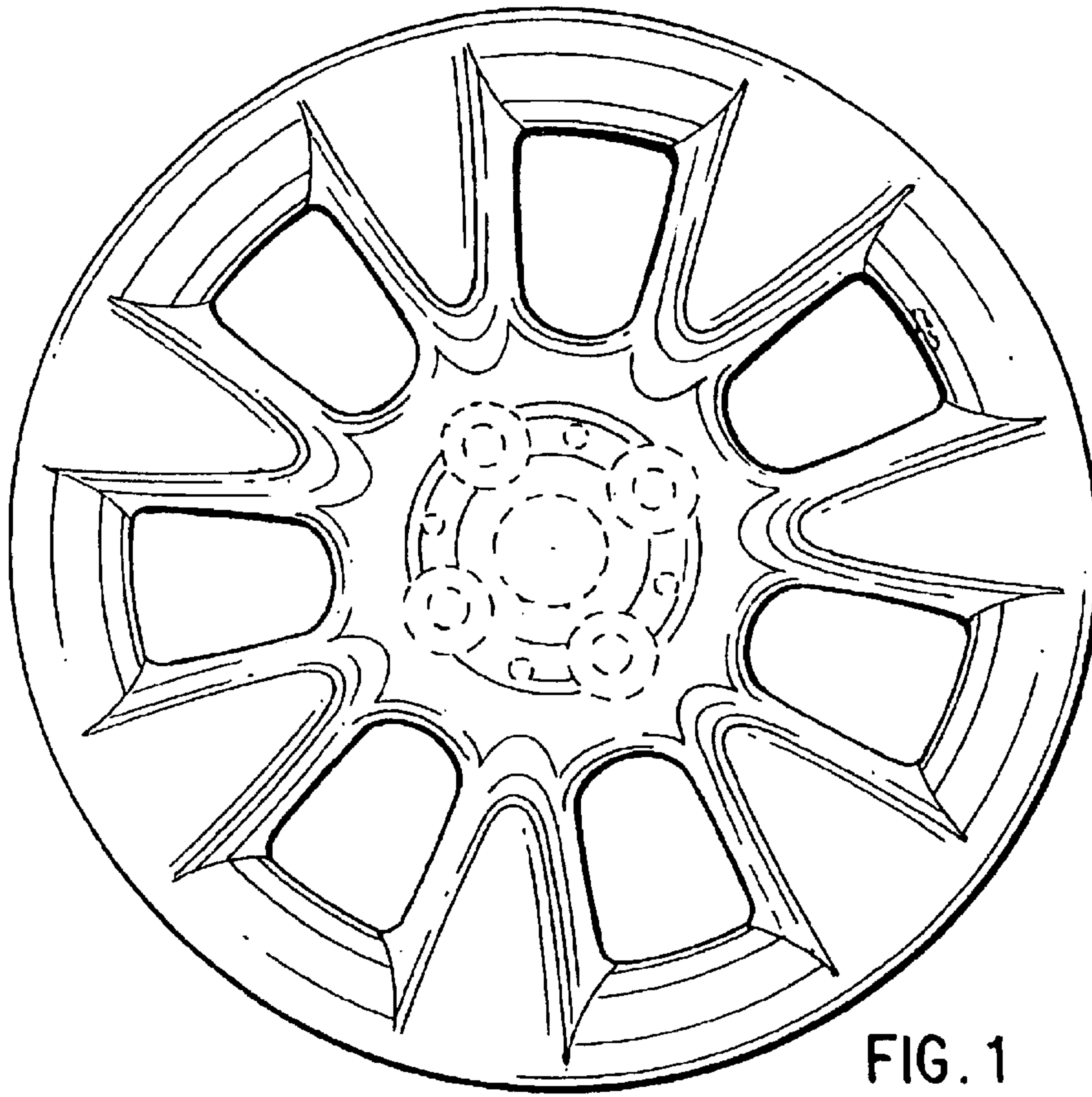


FIG. 1

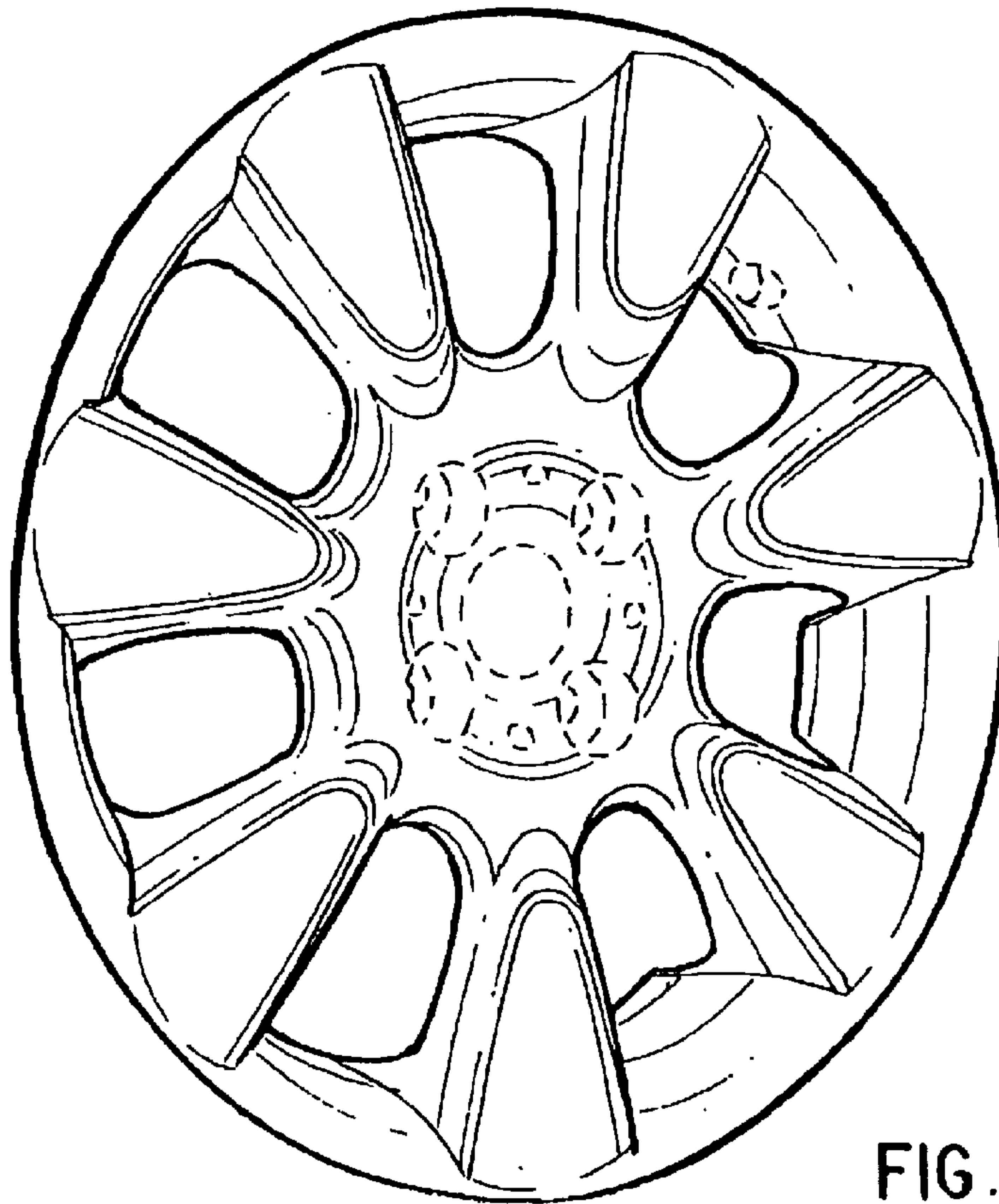


FIG. 2