



US00D506717S

(12) **United States Design Patent**
Gallert

(10) **Patent No.: US D506,717 S**
(45) **Date of Patent: ** Jun. 28, 2005**

(54) **FRONT FACE OF A VEHICLE WHEEL**

(75) **Inventor: Michael Gallert, Stuttgart (DE)**

(73) **Assignee: Dr. Ing. h.c.F. Porsche
Aktiengesellschaft, Stuttgart (DE)**

(**) **Term: 14 Years**

(21) **Appl. No.: 29/210,437**

(22) **Filed: Aug. 2, 2004**

(30) **Foreign Application Priority Data**

Feb. 3, 2004 (DE) 4 04 00 543

(51) **LOC (8) Cl. 12-16**

(52) **U.S. Cl. D12/209**

(58) **Field of Search D12/204-213;
301/37.101, 64.101, 65**

(56) **References Cited**

U.S. PATENT DOCUMENTS

D402,252 S * 12/1998 Kulla D12/211

D453,134 S * 1/2002 Murkett et al. D12/209
D466,464 S * 12/2002 Hodges D12/209
D486,769 S * 2/2004 Gallert D12/209
D491,872 S * 6/2004 Lai D12/211
D494,119 S * 8/2004 Sands D12/209

* cited by examiner

Primary Examiner—Stacia Cadmus

(74) *Attorney, Agent, or Firm*—Crowell & Moring LLP

(57) **CLAIM**

The ornamental design for a front face of a vehicle wheel,
as shown and described.

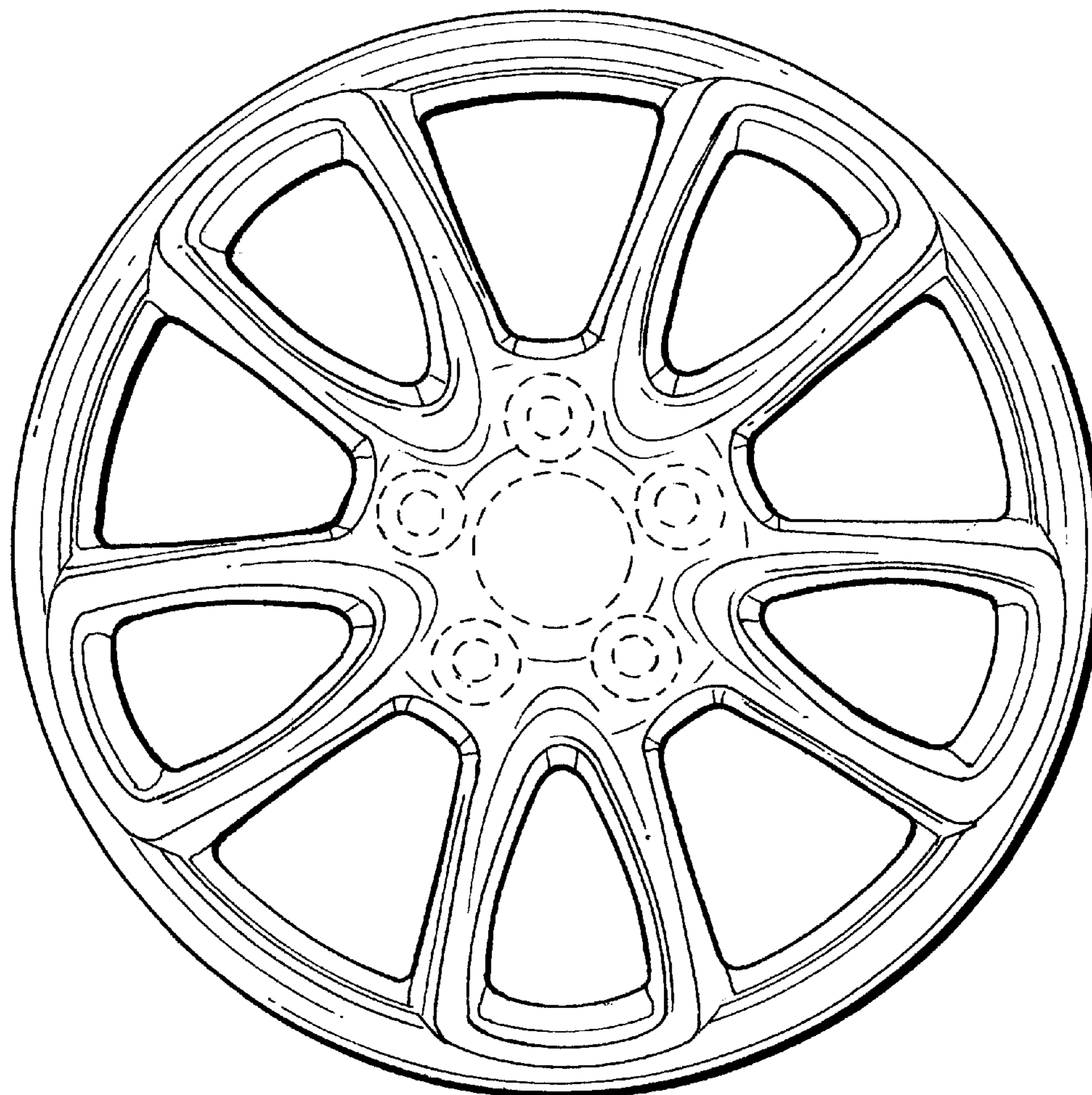
DESCRIPTION

FIG. 1 is a front view of a front face of a vehicle wheel
according to my novel design; and,

FIG. 2 is a perspective view of the front face of a vehicle
wheel according to my novel design.

The broken lines are for illustrative purposes only and form
no part of the claimed design.

1 Claim, 1 Drawing Sheet



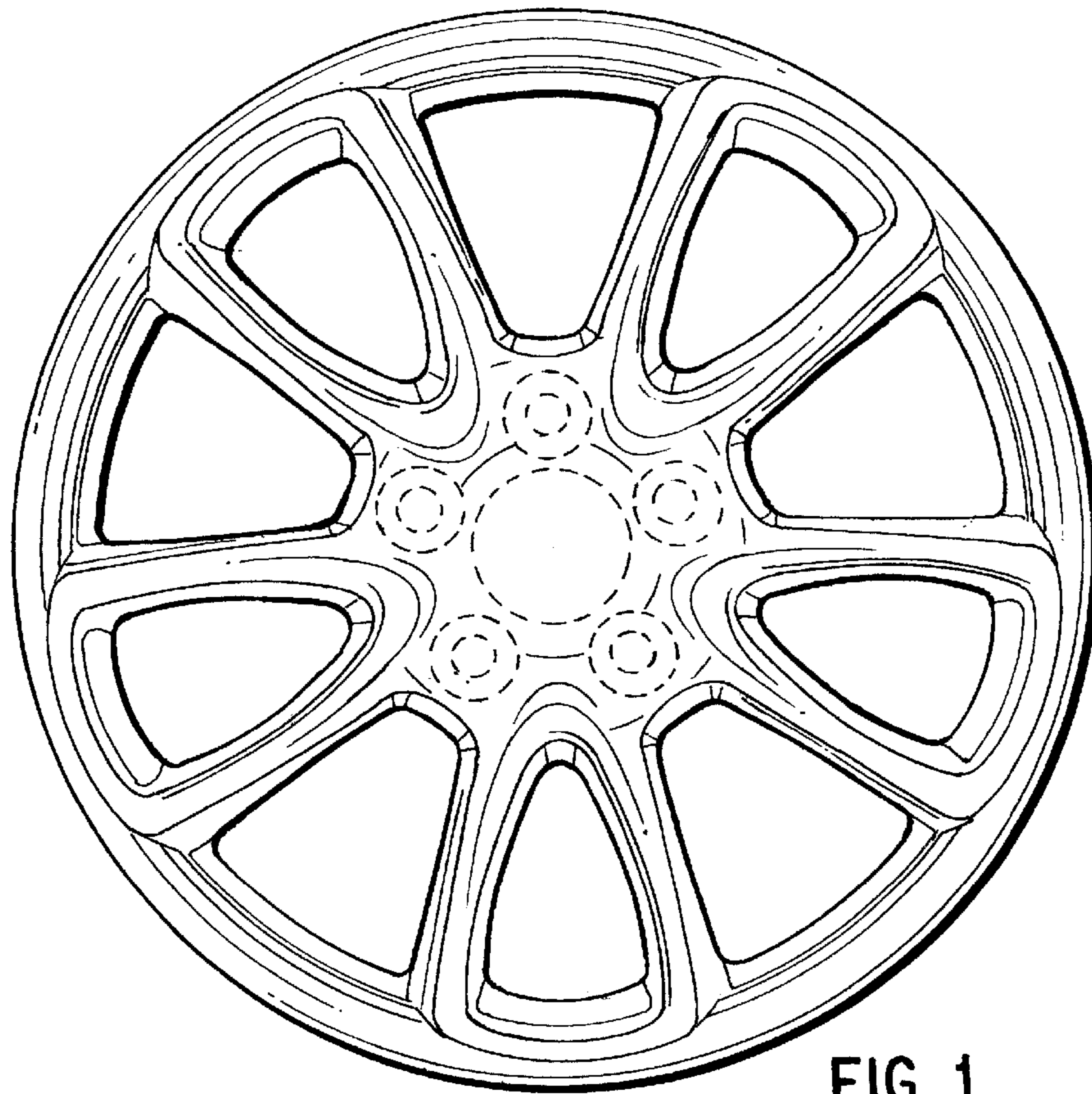


FIG. 1

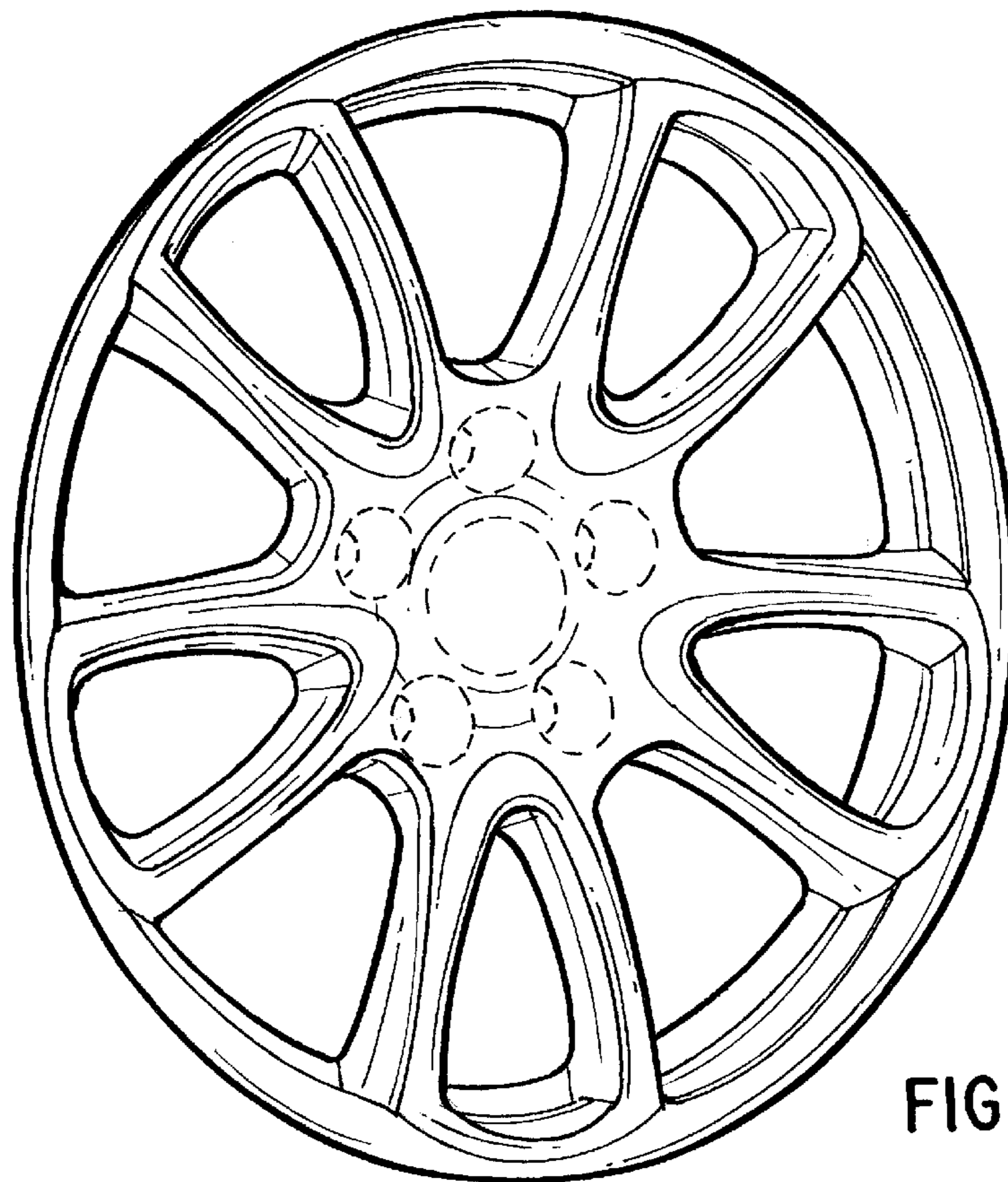


FIG. 2