

US00D506714S

(12) **United States Design Patent**  
**Ono**

(10) **Patent No.:** **US D506,714 S**  
(45) **Date of Patent:** **\*\* Jun. 28, 2005**

(54) **CALIPER BODY OF DISK BRAKE FOR VEHICLE**

D458,199 S \* 6/2002 Demoise et al. .... D12/180  
D491,500 S \* 6/2004 Fujiwara et al. .... D12/180

(75) Inventor: **Takashi Ono**, Ueda (JP)

**FOREIGN PATENT DOCUMENTS**

JP 88 8372 1/1994

(73) Assignee: **Nissan Kogyo Co., Ltd.**, Nagano-ken (JP)

\* cited by examiner

(\*\*) Term: **14 Years**

*Primary Examiner*—Melody N. Brown  
(74) *Attorney, Agent, or Firm*—Sughrue Mion, PLLC

(21) Appl. No.: **29/202,319**

(57) **CLAIM**

(22) Filed: **Mar. 30, 2004**

The ornamental design for a caliper body of disk brake for vehicle, as shown and described.

(30) **Foreign Application Priority Data**

**DESCRIPTION**

Sep. 30, 2003 (JP) ..... 2003-028662

(51) **LOC (8) Cl.** ..... **12-16**

(52) **U.S. Cl.** ..... **D12/180**

(58) **Field of Search** ..... D12/180; 188/73.3, 188/73.31–73.39, 73.43, 73.45, 218 XL, 1.11 W; 192/70.17, 70.2

FIG. 1 is a perspective view of the top, front and left side of a caliper body of disk brake for vehicle showing my new design;

FIG. 2 is a front elevational view thereof;

FIG. 3 is a rear elevational view thereof;

FIG. 4 is a top plan view thereof;

FIG. 5 is a bottom plan view thereof;

FIG. 6 is a right side elevational view thereof;

FIG. 7 is a left side elevational view thereof;

FIG. 8 is a sectional view taken along the line 8—8 in FIG. 2;

FIG. 9 is a sectional view taken along the line 9—9 in FIG. 2; and,

FIG. 10 is a is sectional view taken along the line 10—10 in FIG. 6.

(56) **References Cited**

**U.S. PATENT DOCUMENTS**

- D351,365 S \* 10/1994 Powers ..... D12/180
- D354,469 S \* 1/1995 Powers ..... D12/180
- 5,499,696 A \* 3/1996 Kobayashi et al. .... 188/1.11 W
- D373,340 S \* 9/1996 Sands ..... D12/180
- D378,363 S \* 3/1997 Sin ..... D12/180
- D413,292 S \* 8/1999 Jones ..... D12/180
- D417,178 S \* 11/1999 Gallagher ..... D12/180
- D426,180 S \* 6/2000 Pink et al. .... D12/180
- 6,247,561 B1 \* 6/2001 Doi et al. .... 188/73.39

**1 Claim, 6 Drawing Sheets**

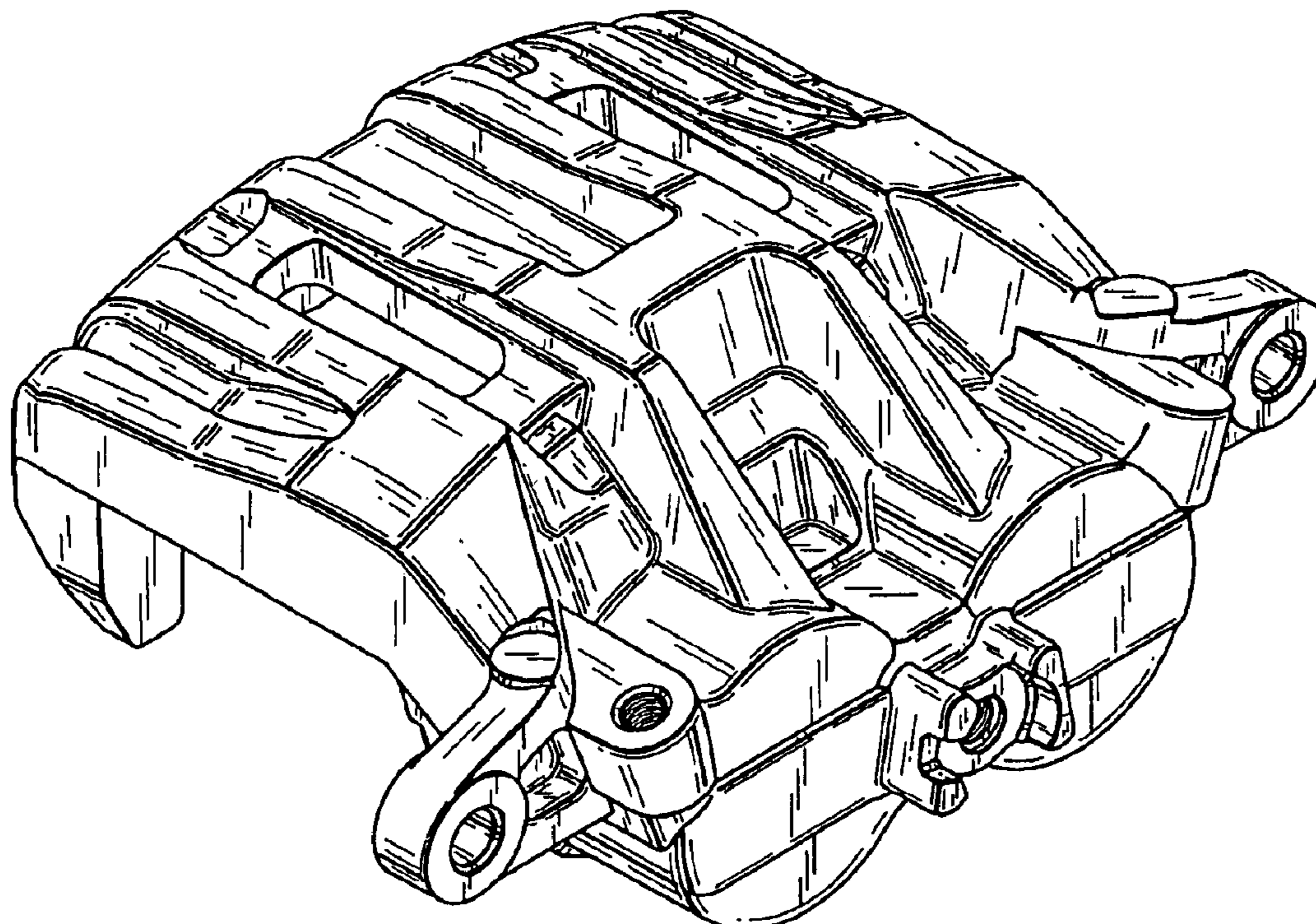


FIG. 1

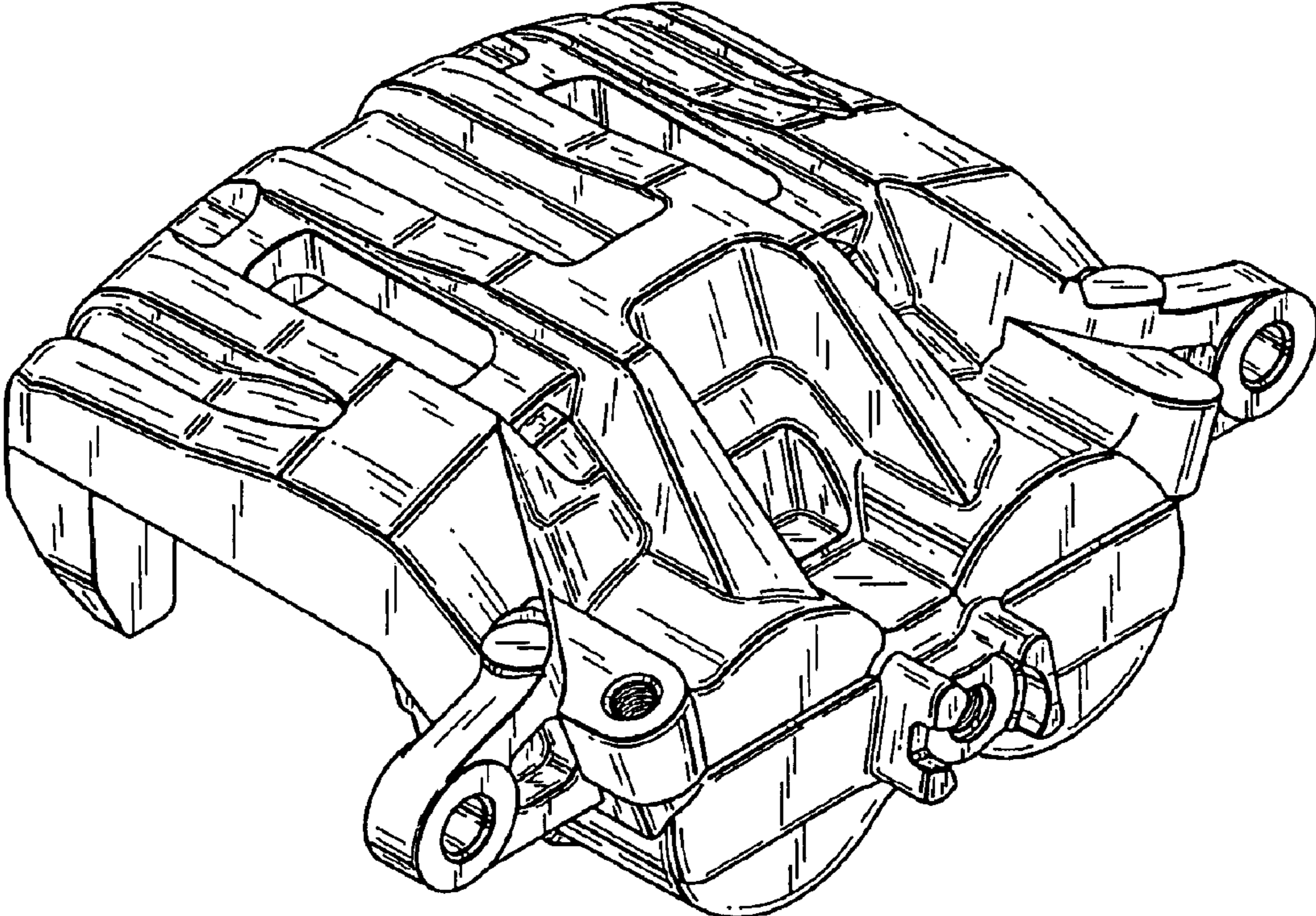


FIG.2

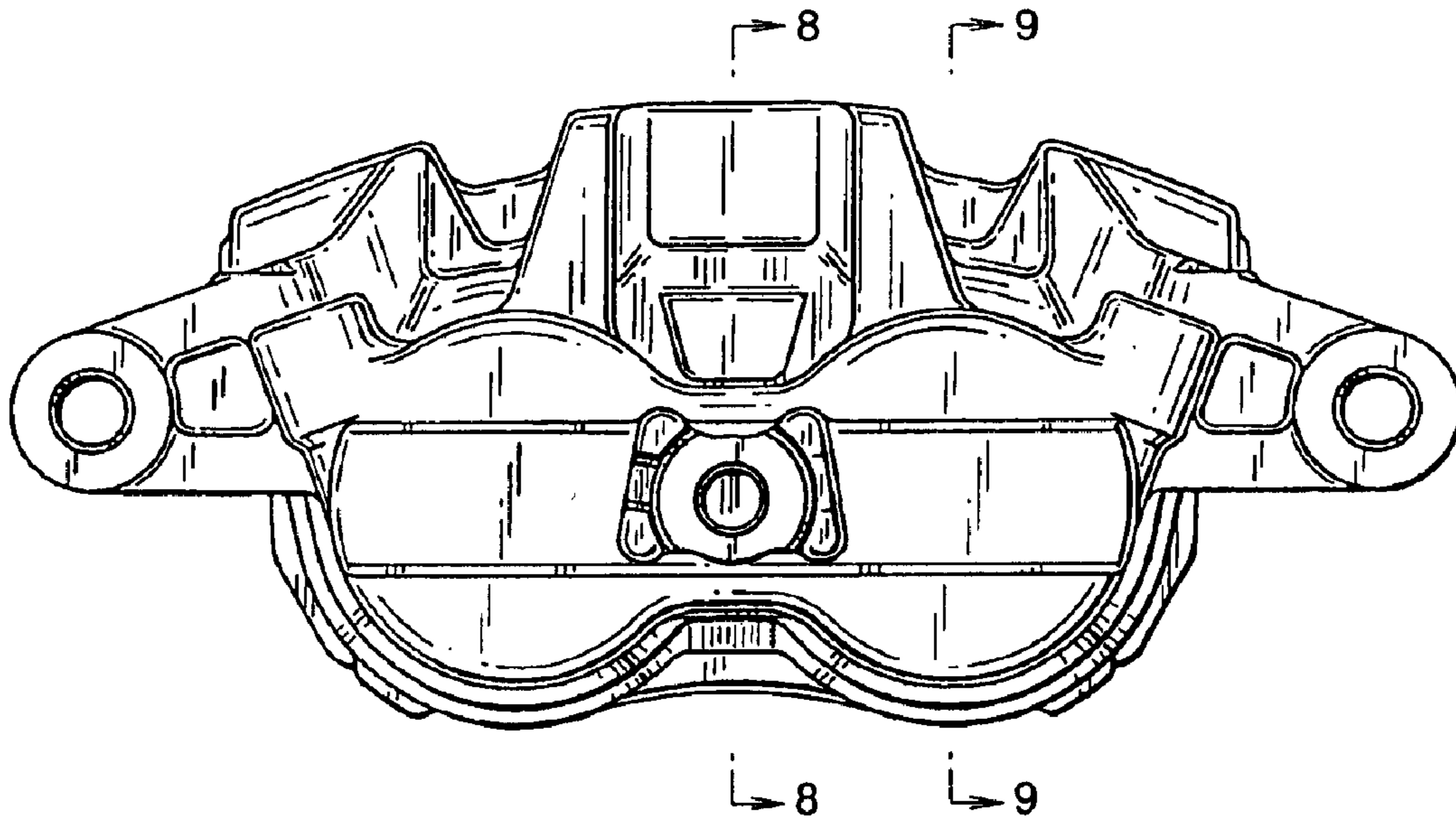


FIG.3

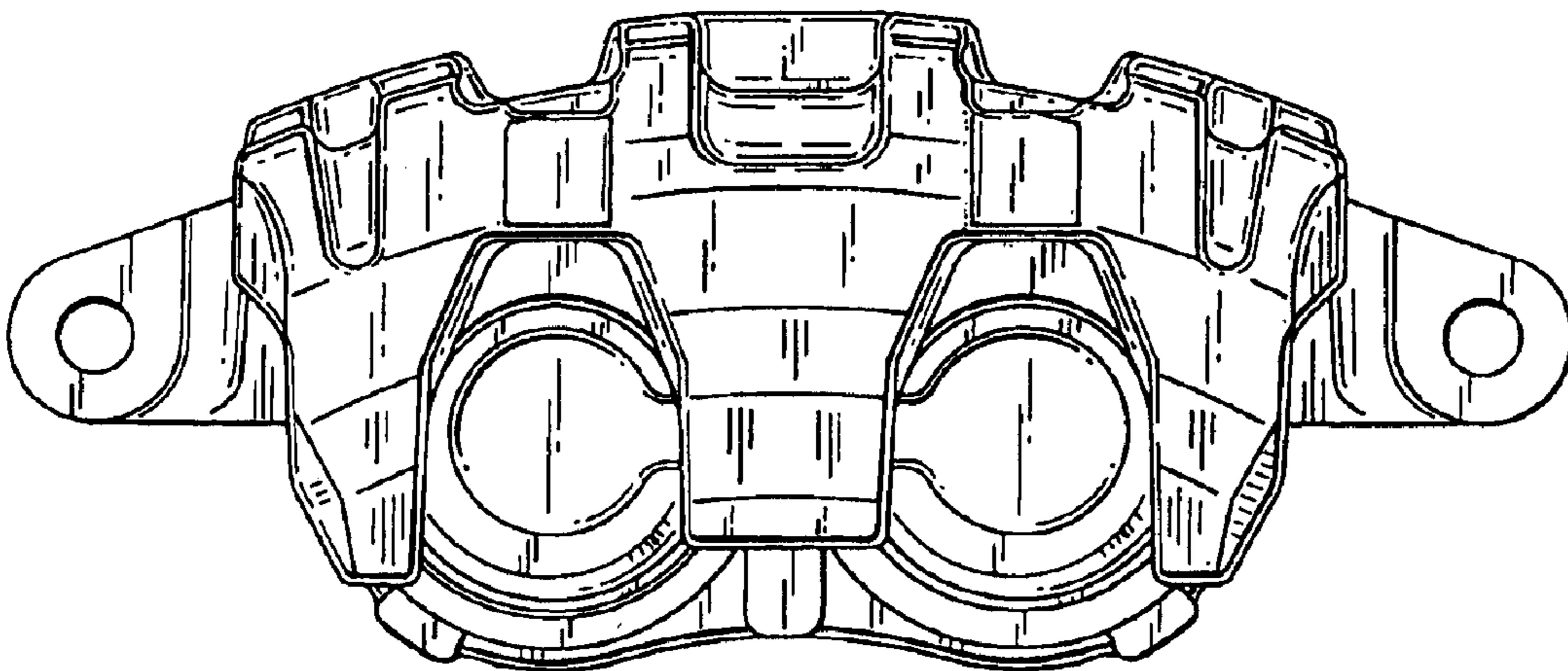


FIG. 4

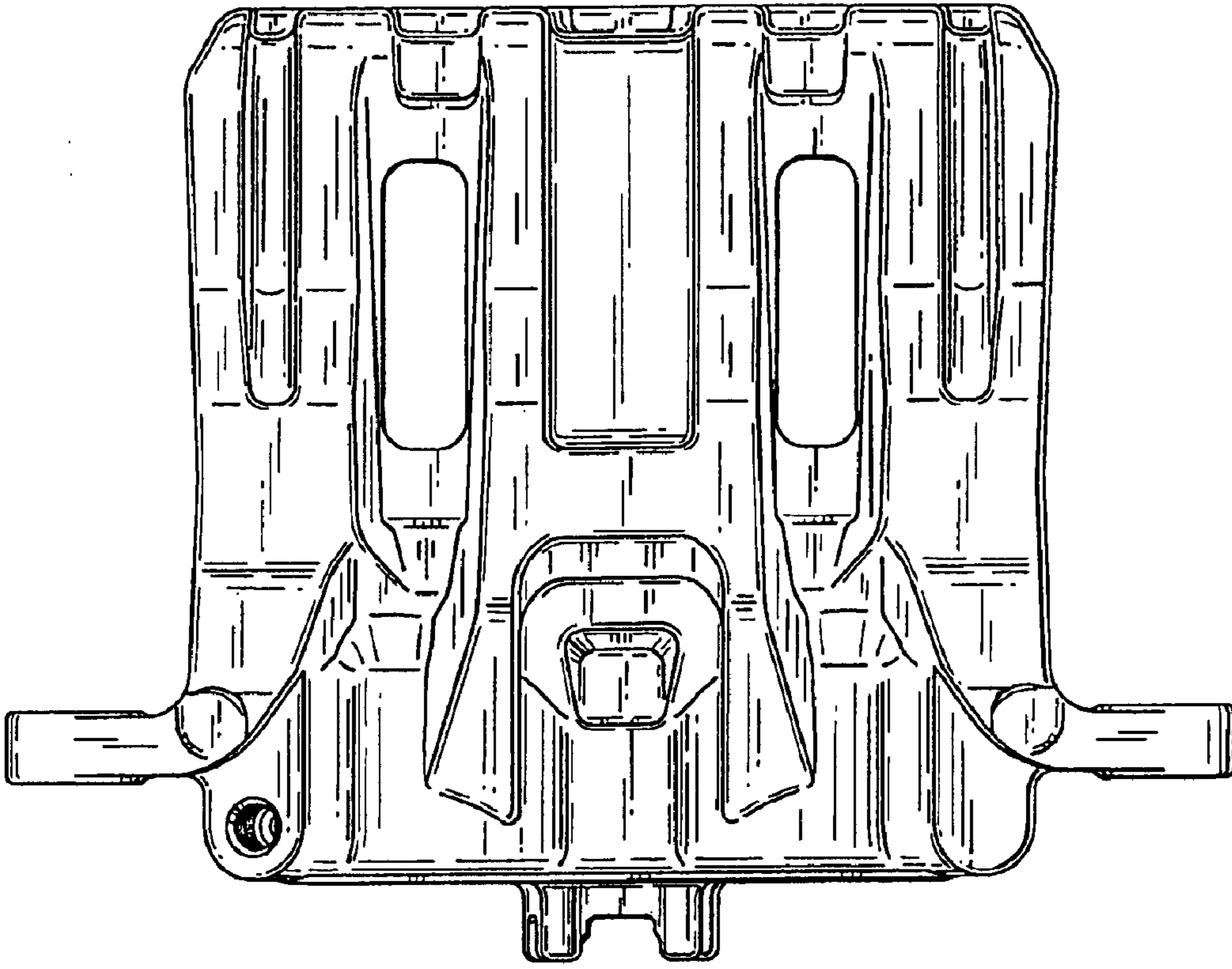


FIG. 5

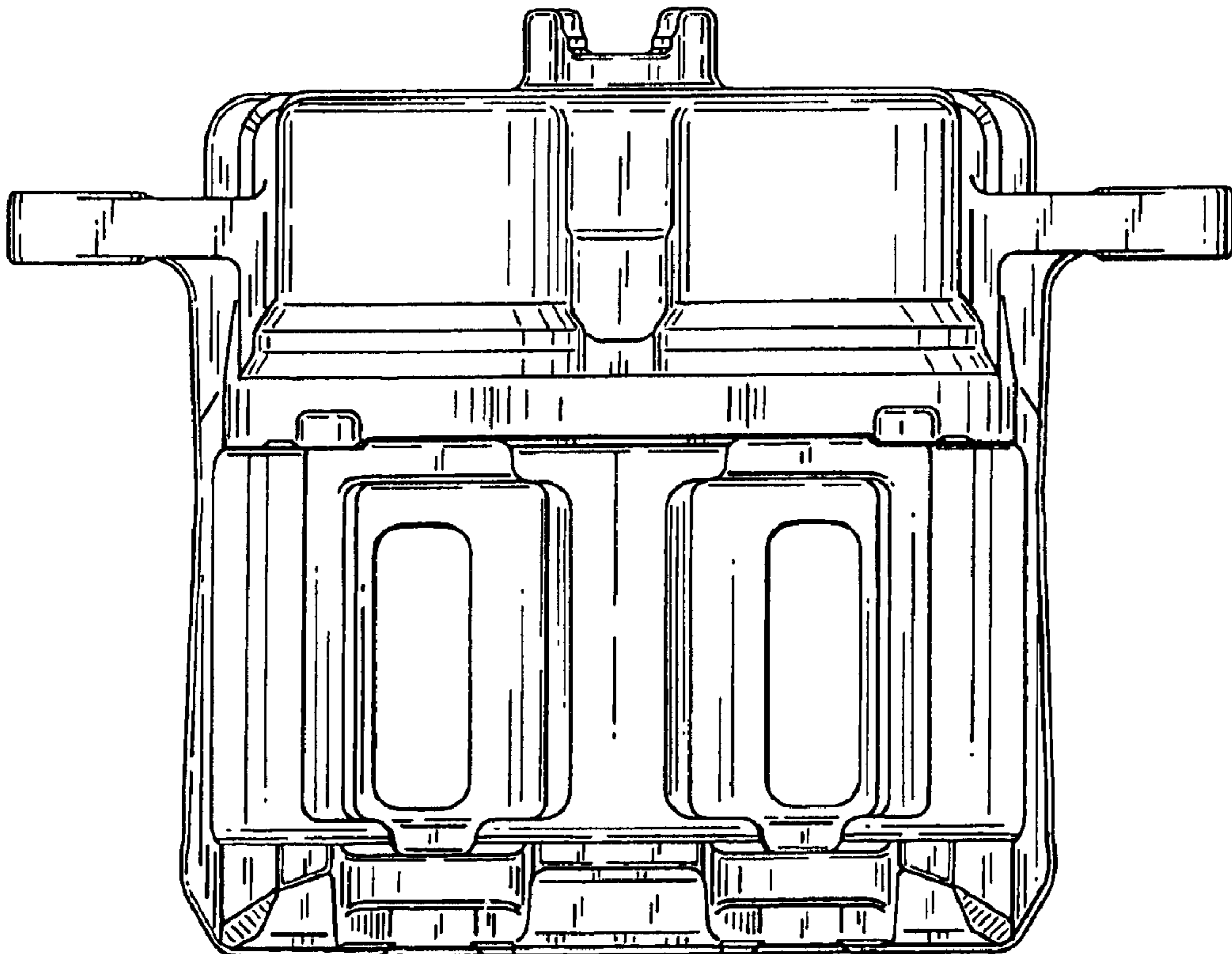
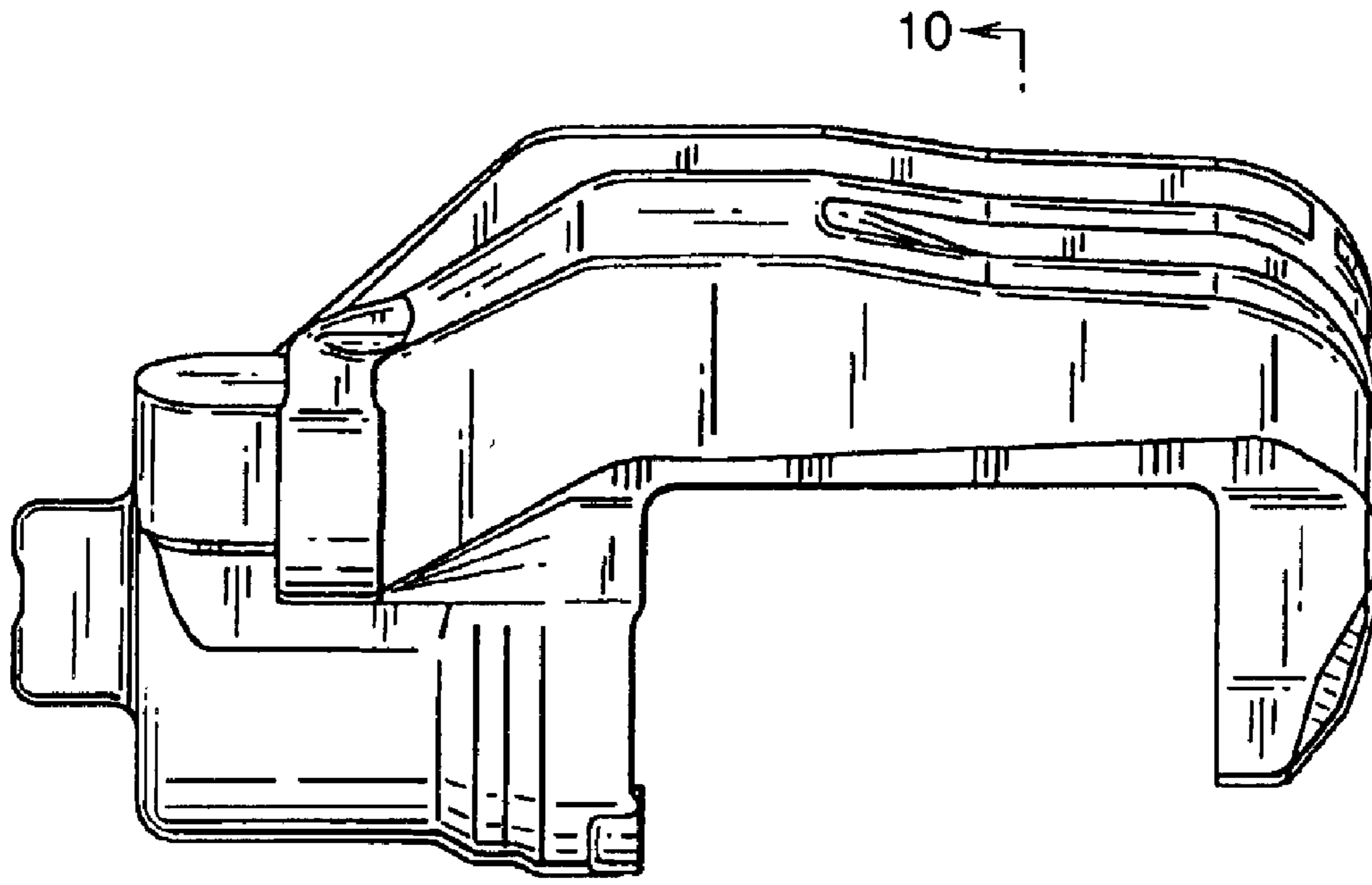


FIG. 6



10 ←

10 ←

FIG. 7

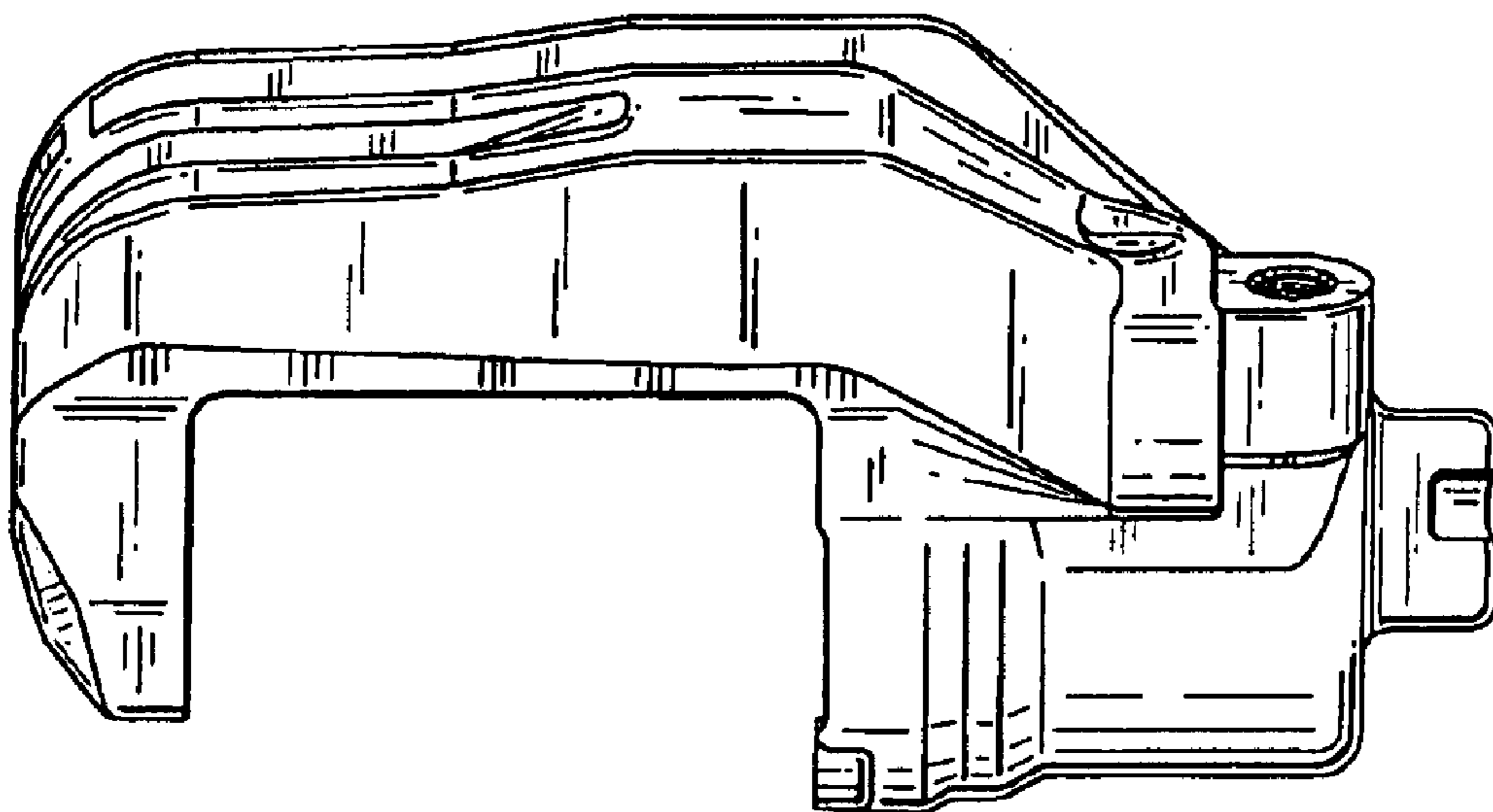


FIG. 8

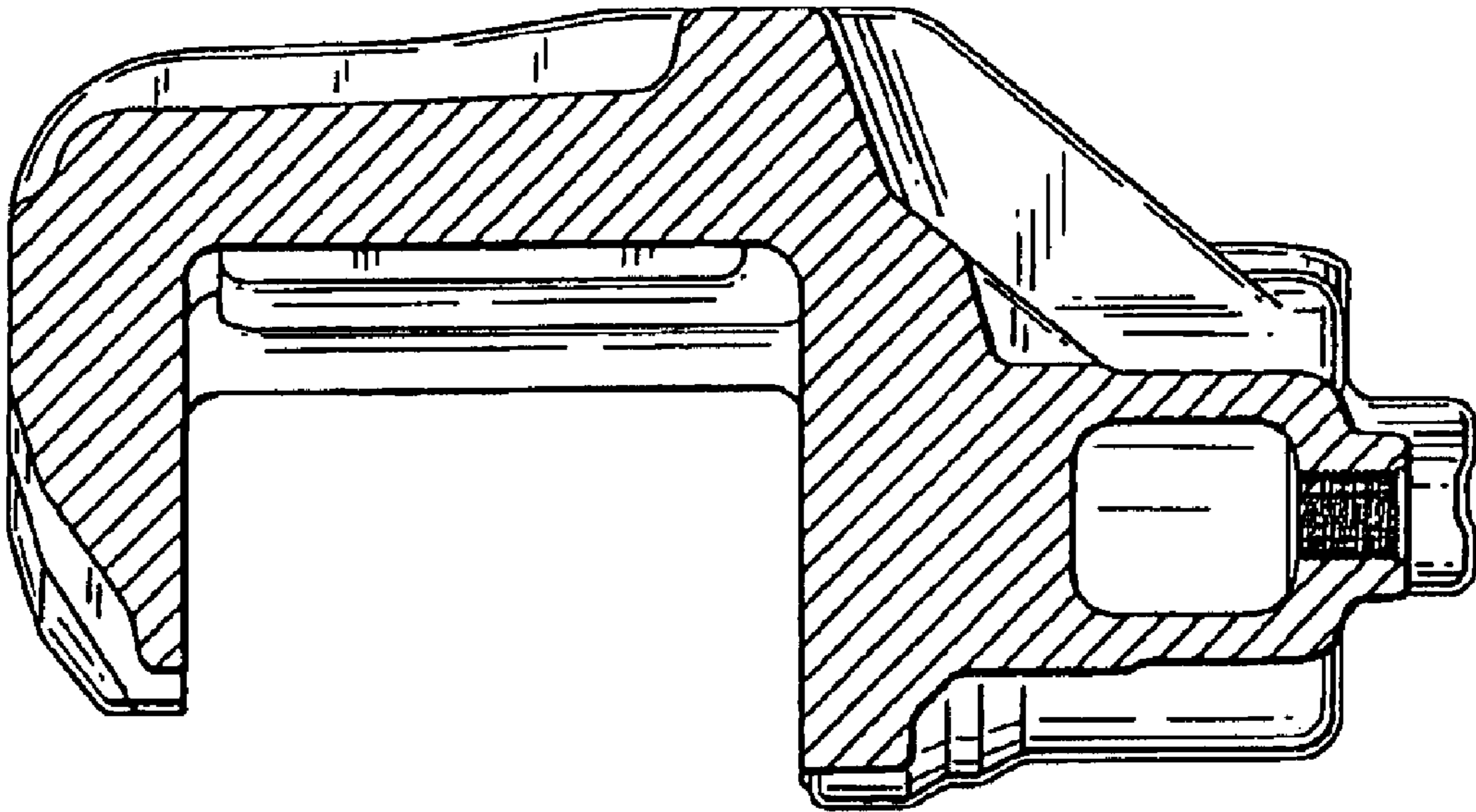


FIG. 9

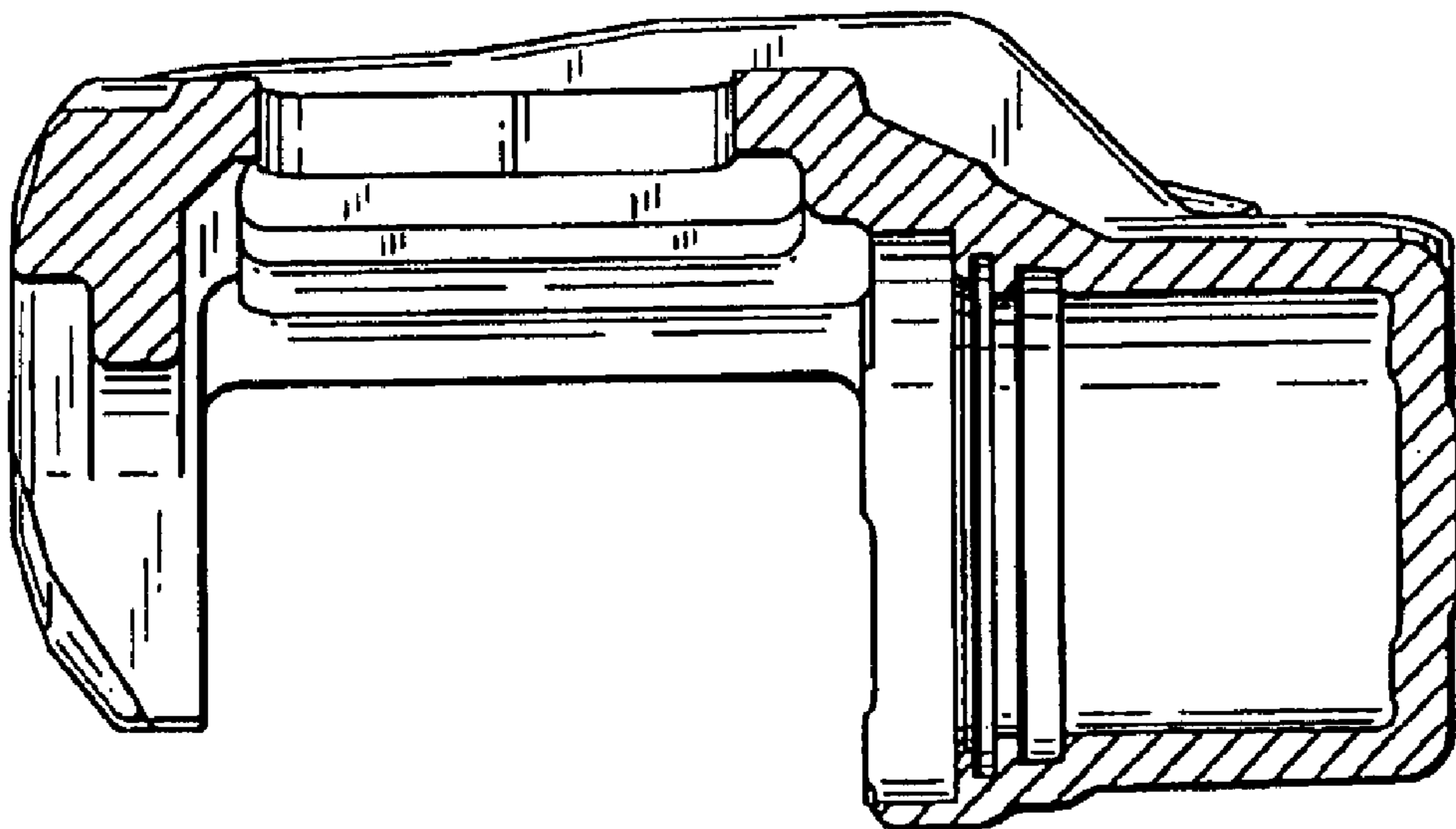
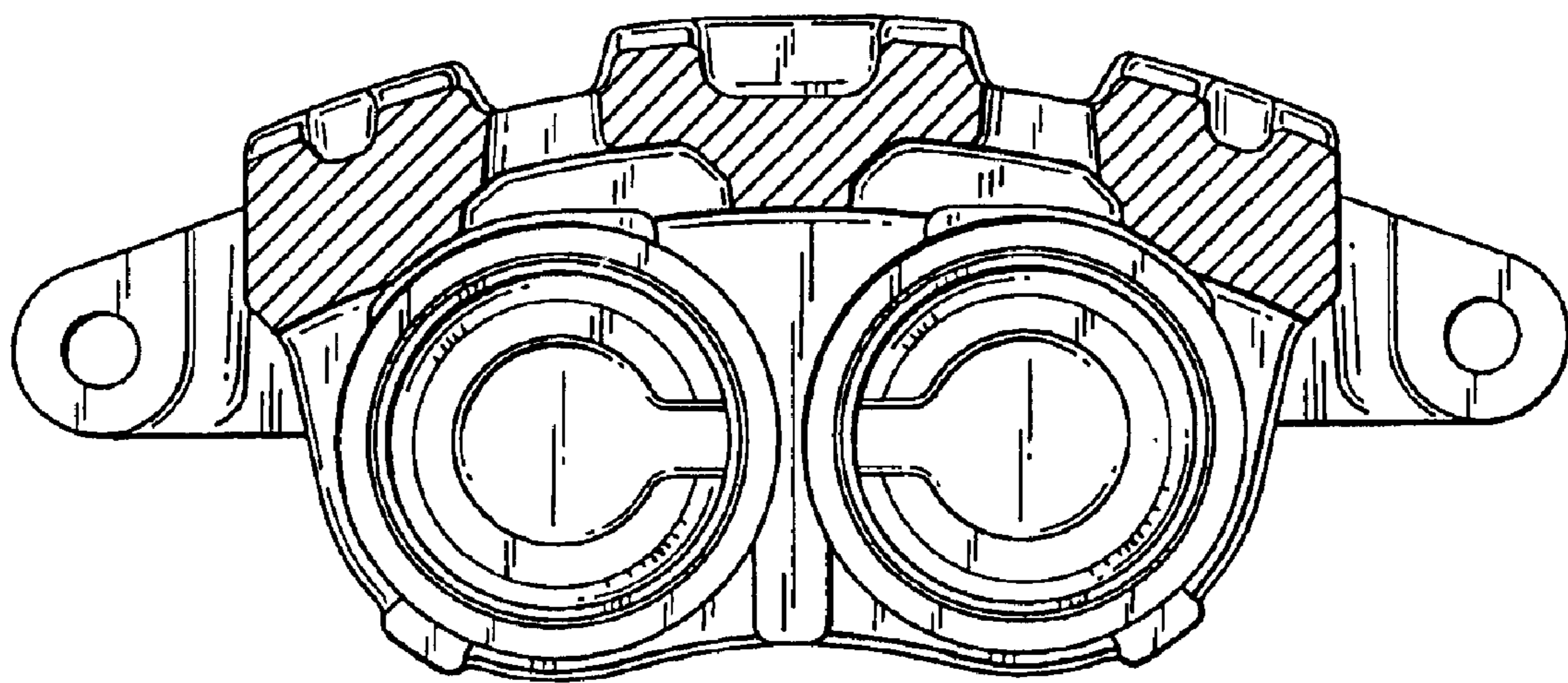


FIG. 10



UNITED STATES PATENT AND TRADEMARK OFFICE  
**CERTIFICATE OF CORRECTION**

PATENT NO. : Des. 506,714 S  
DATED : June 28, 2005  
INVENTOR(S) : Takashi Ono

Page 1 of 1

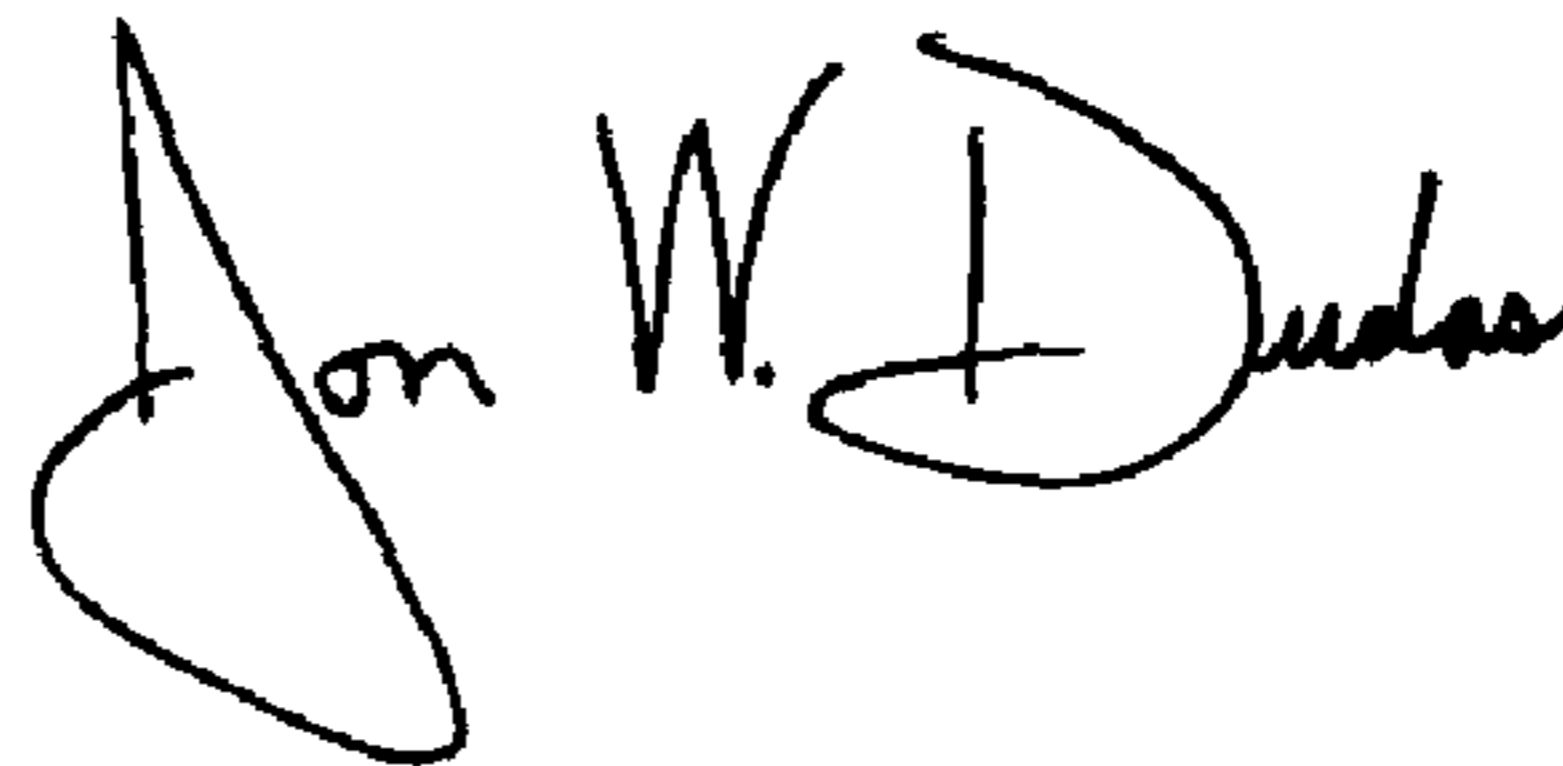
It is certified that error appears in the above-identified patent and that said Letters Patent is hereby corrected as shown below:

Title page.

Item [73], Assignee, please correct as follows -- **Nissin Kogyo Co., Ltd.** --.

Signed and Sealed this

Fourth Day of October , 2005

A handwritten signature in black ink that reads "Jon W. Dudas". The signature is written in a cursive style with a large, looped initial "J".

JON W. DUDAS

*Director of the United States Patent and Trademark Office*