

US00D506712S

(12) **United States Design Patent**
Suzuki

(10) **Patent No.:** **US D506,712 S**
(45) **Date of Patent:** **** Jun. 28, 2005**

- (54) **BUMPER FOR AN AUTOMOBILE**
- (75) Inventor: **Hiroshi Suzuki**, Aichi-ken (JP)
- (73) Assignee: **Toyota Jidosha Kabushiki Kaisha**, Aichi-ken (JP)
- (**) Term: **14 Years**

Primary Examiner—Melody N. Brown
(74) *Attorney, Agent, or Firm*—Finnegan, Henderson, Farabow, Garrett & Dunner, LLP

- (21) Appl. No.: **29/200,718**
- (22) Filed: **Mar. 4, 2004**
- (30) **Foreign Application Priority Data**

Dec. 22, 2003 (JP) 2003-037719

- (51) **LOC (8) Cl.** **12-16**
- (52) **U.S. Cl.** **D12/169**
- (58) **Field of Search** D12/90–92, 86, D12/169, 196; 296/180.1, 180.2; 293/102, 113, 115, 117, 120

(56) **References Cited**

U.S. PATENT DOCUMENTS

D474,720 S	*	5/2003	Tachibana et al.	D12/169
D483,706 S	*	12/2003	Kato	D12/169
D497,853 S	*	11/2004	Yanase	D12/169
D498,716 S	*	11/2004	Maeda et al.	D12/169
D499,051 S	*	11/2004	Nakamura et al.	D12/169

OTHER PUBLICATIONS

Imported Car Guide Book 2001, Mfg. BMW), Nov. 17, 2000, p. 67.

* cited by examiner

(57) **CLAIM**

The ornamental design for a bumper for an automobile, as shown and described.

DESCRIPTION

FIG. 1 is a left-front, perspective view of a bumper for an automobile of my new design;

FIG. 2 is a front view of my new design;

FIG. 3 is a rear view of my new design;

FIG. 4 is a top view of my new design;

FIG. 5 is a bottom view of my new design;

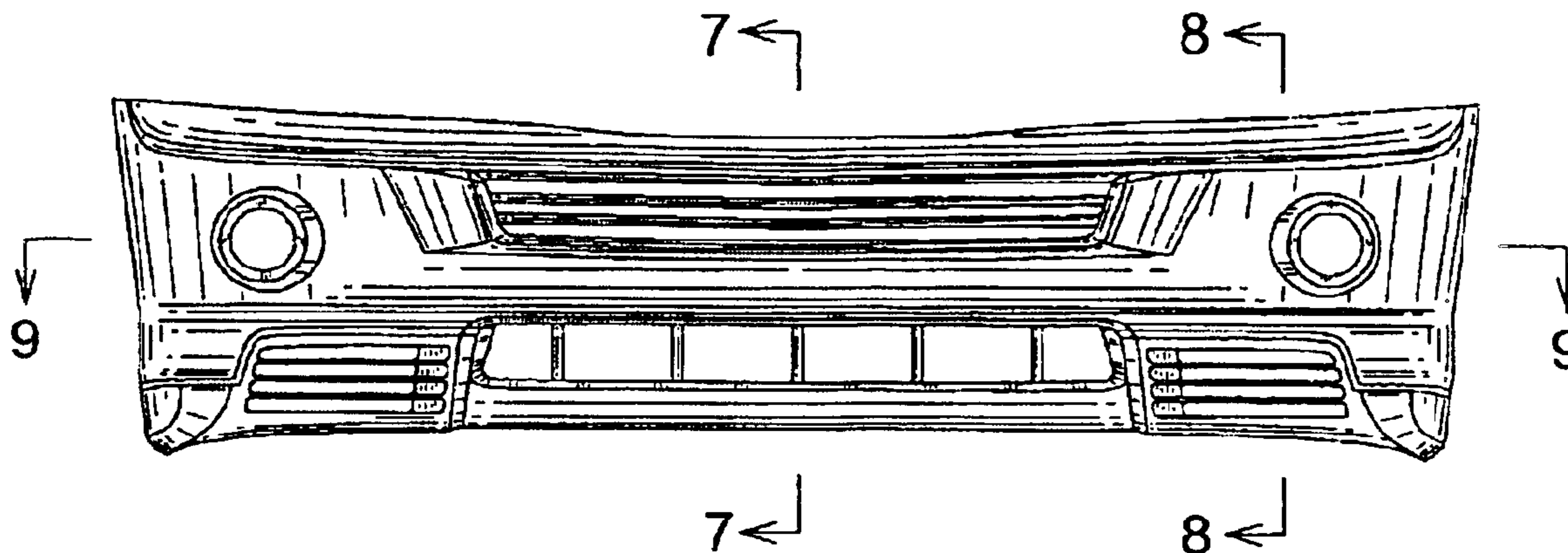
FIG. 6 is a left-side view of my new design, the right-side view being a mirror image thereof;

FIG. 7 is a cross-sectional view of my new design taken along line 7—7 in FIG. 2, showing the profile of that portion of the design;

FIG. 8 is a cross-sectional view of my new design taken along line 8—8 in FIG. 2, showing the profile of that portion of the design; and,

FIG. 9 is a cross-sectional view of my design taken along line 9—9 in FIG. 2, showing the profile of that portion of the design.

1 Claim, 5 Drawing Sheets



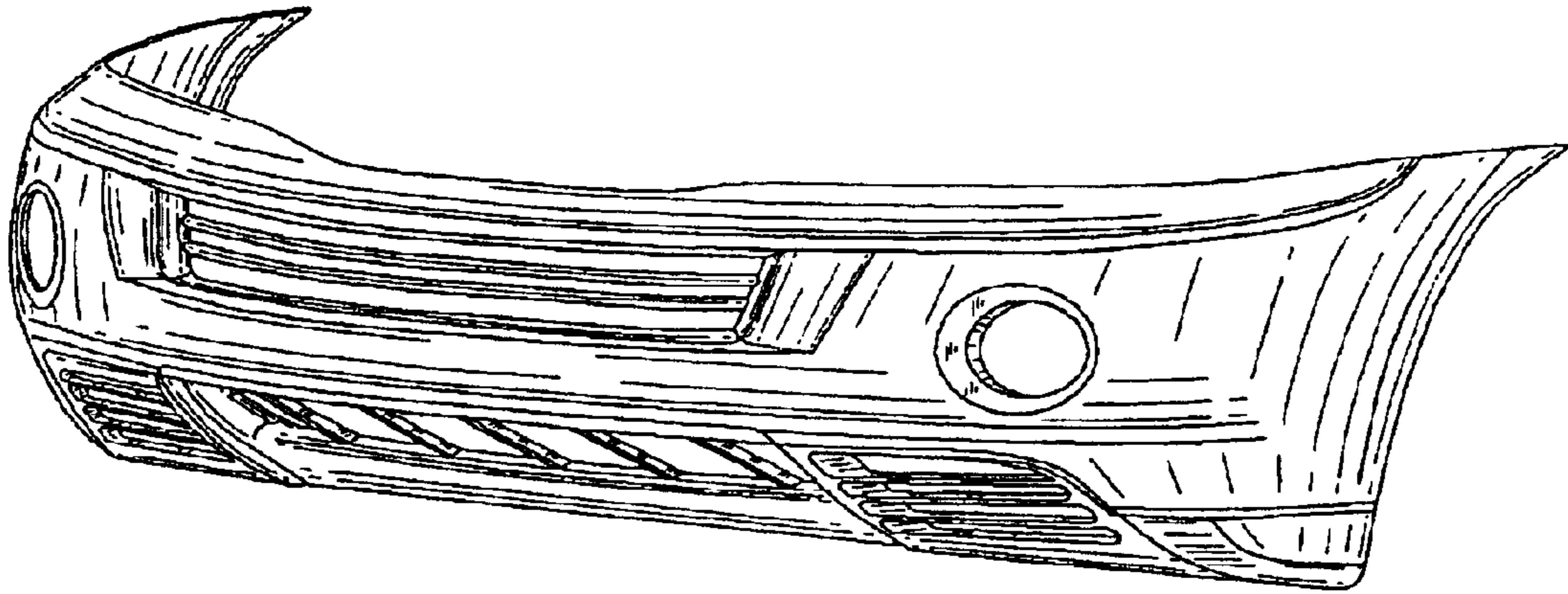


FIG. 1

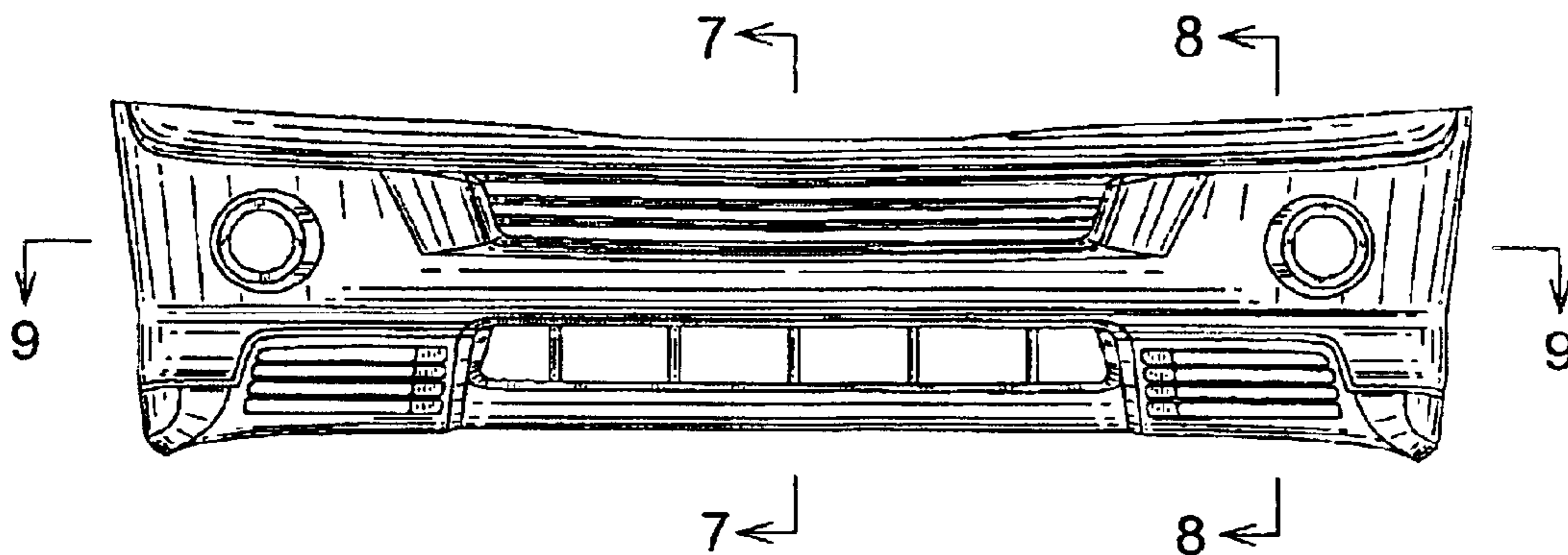


FIG. 2

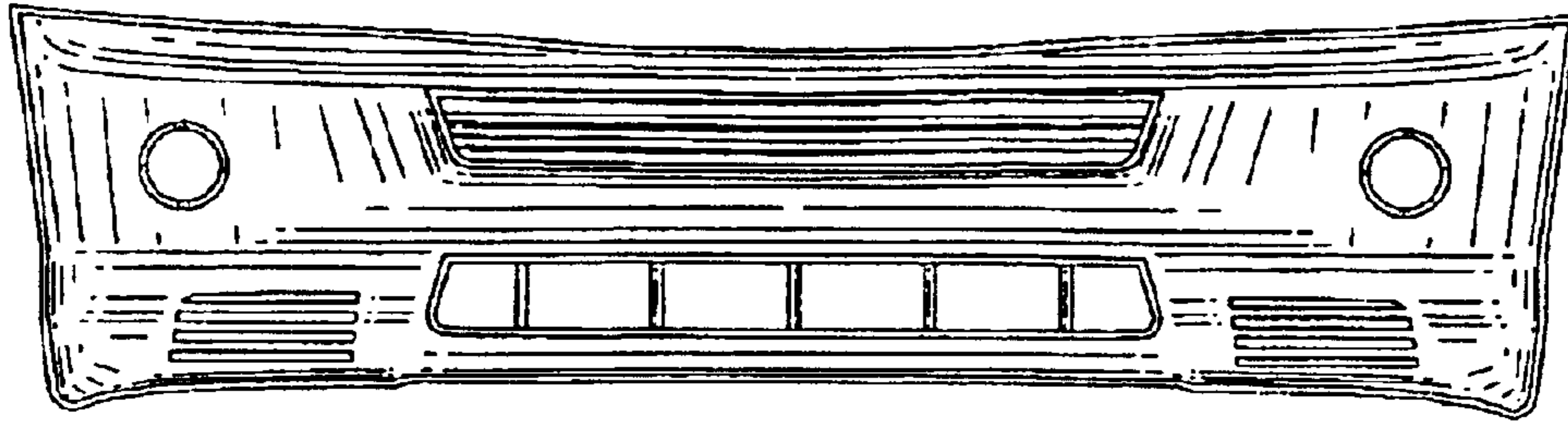


FIG. 3

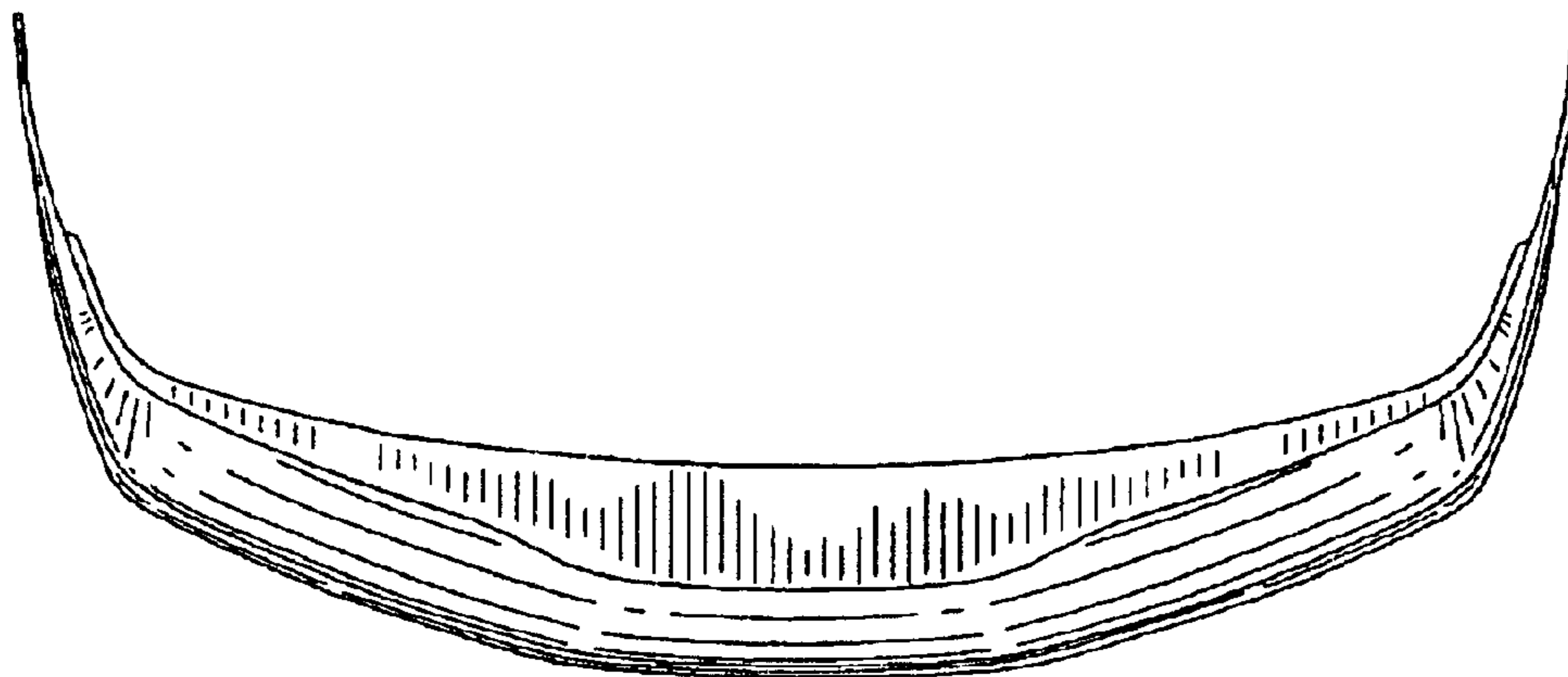


FIG. 4

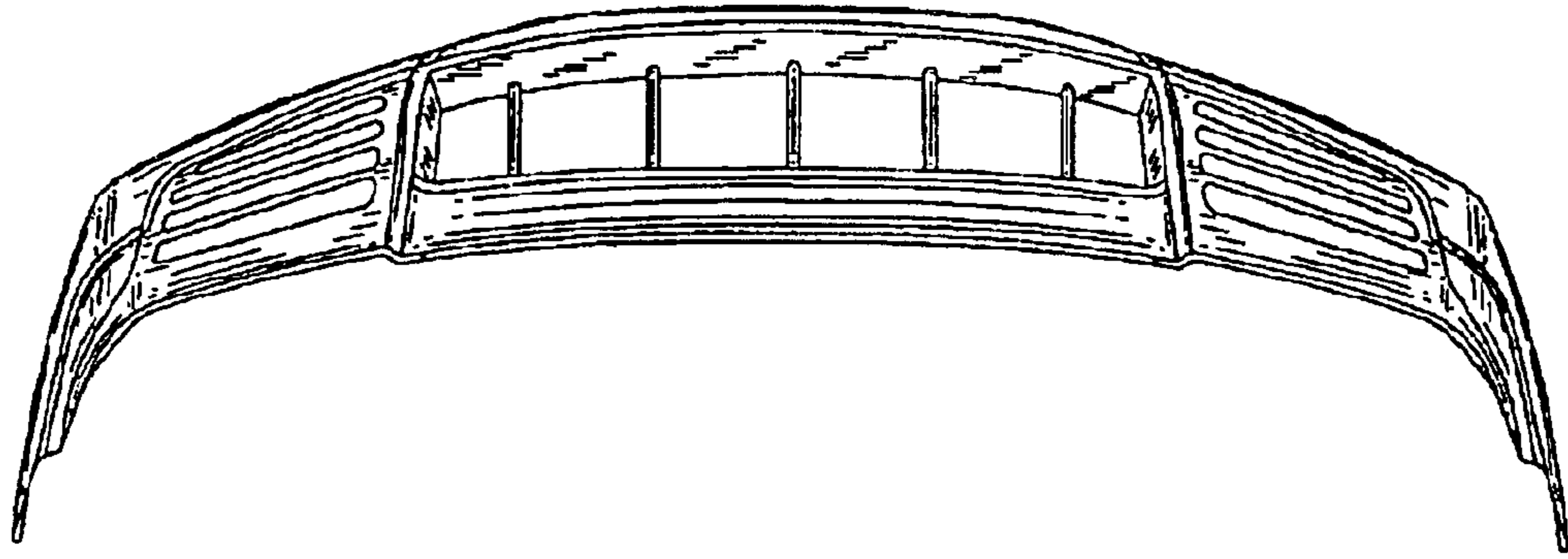


FIG. 5

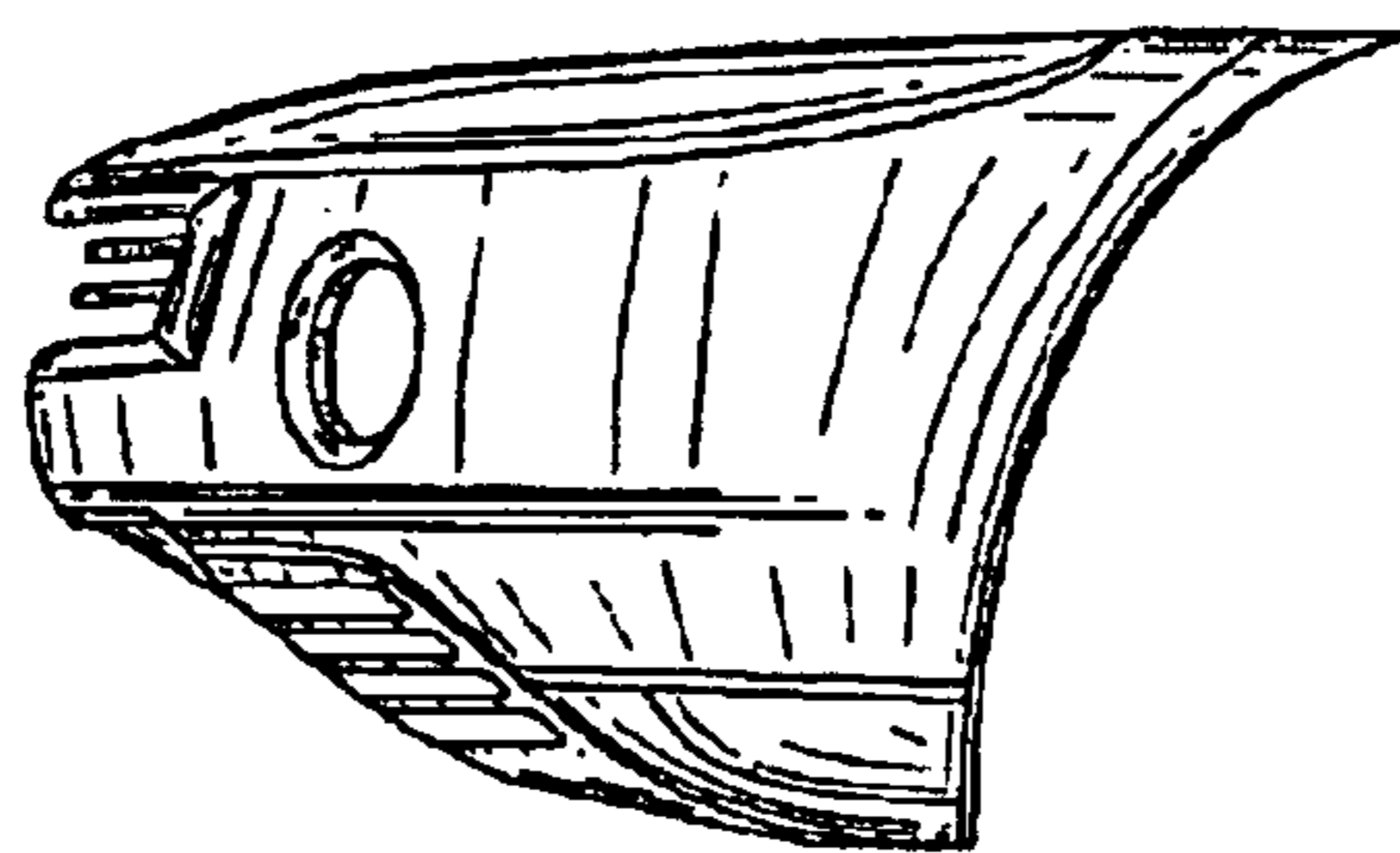


FIG. 6

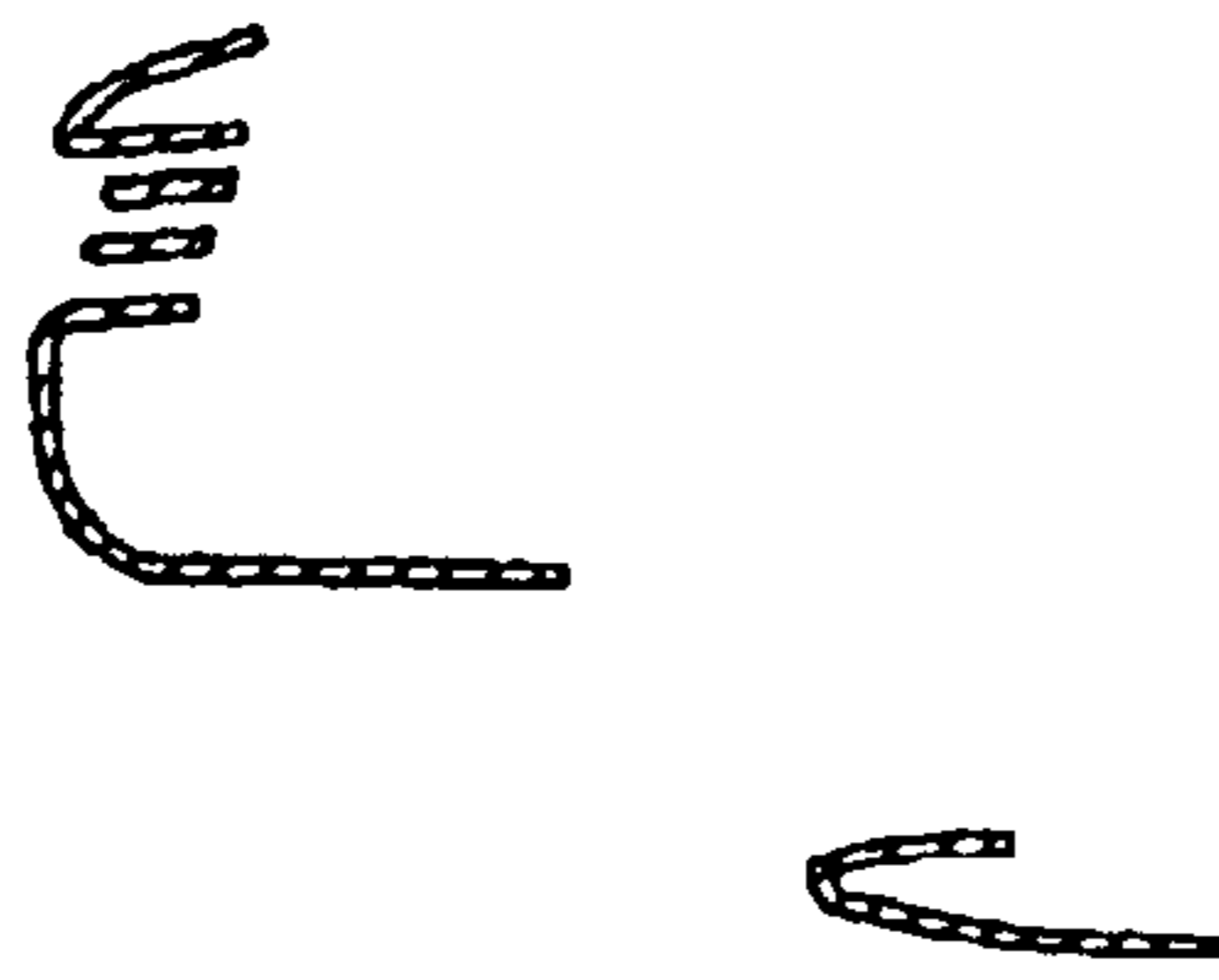


FIG. 7

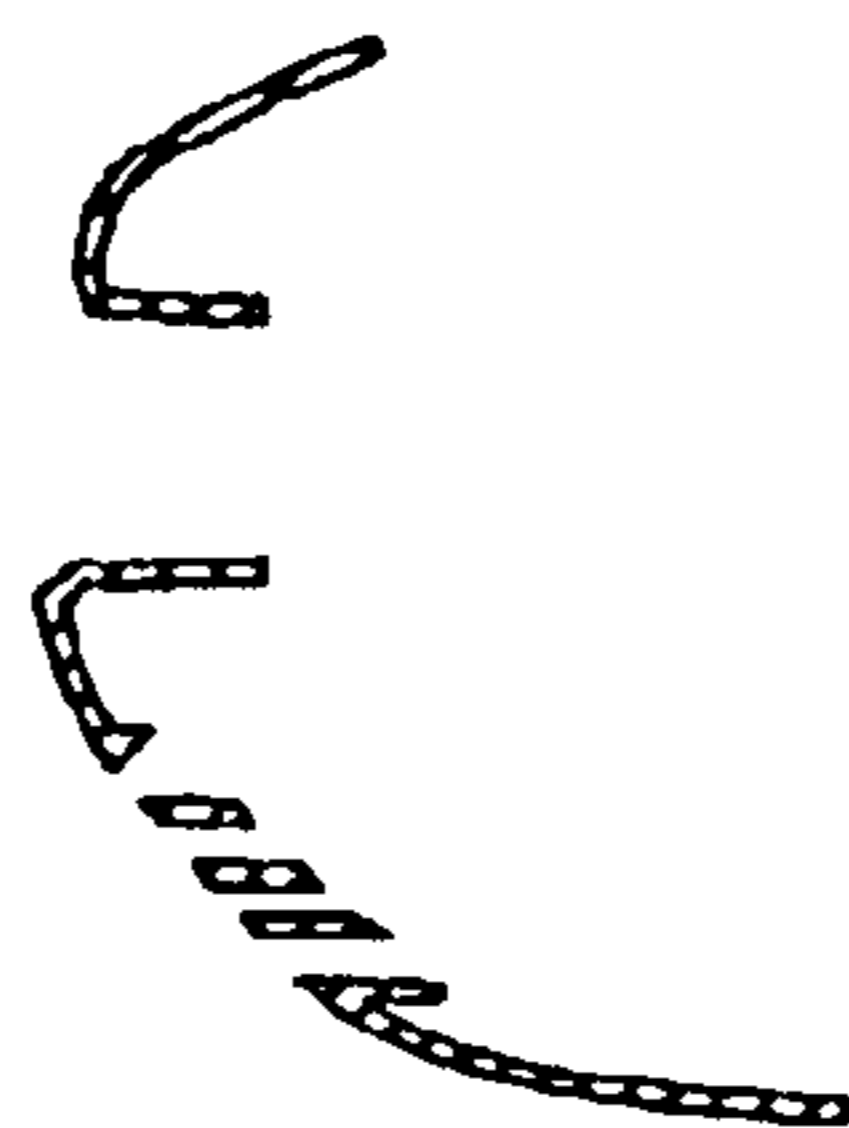


FIG. 8



FIG. 9