



US00D506708S

(12) **United States Design Patent**
Conte

(10) **Patent No.:** **US D506,708 S**
(45) **Date of Patent:** **** Jun. 28, 2005**

(54) **MOTORCYCLE FRONT FORK**

(74) *Attorney, Agent, or Firm*—Plumsea Law Group, LLC

(75) **Inventor:** **Bruno Conte**, Redondo Beach, CA
(US)

(57) **CLAIM**

The ornamental design for a motorcycle front fork, as shown and described.

(73) **Assignee:** **Honda Motor Co., Ltd.**, Tokyo (JP)

(**) **Term:** **14 Years**

DESCRIPTION

(21) **Appl. No.:** **29/198,673**

FIG. 1 is a left frontal perspective view of a motorcycle front fork showing my new design, the right frontal perspective view being a mirror image;

(22) **Filed:** **Feb. 3, 2004**

FIG. 2 is a left rear perspective view thereof, the right rear perspective view being a mirror image;

(51) **LOC (8) Cl.** **12-11**

(52) **U.S. Cl.** **D12/118**

(58) **Field of Search** **D12/110, 118;**
180/219; 280/274–280, 281.1, 288.1–288.3

FIG. 3 is a side elevational view thereof, the opposite side elevational view being a mirror image;

(56) **References Cited**

U.S. PATENT DOCUMENTS

D372,214 S * 7/1996 Vaillancourt D12/118

FIG. 4 is a front elevational view thereof; and,

OTHER PUBLICATIONS

Photos of 2004 Honda Valkyrie Rune Motorcycle (4 sheets).

FIG. 5 is a top plan view thereof.

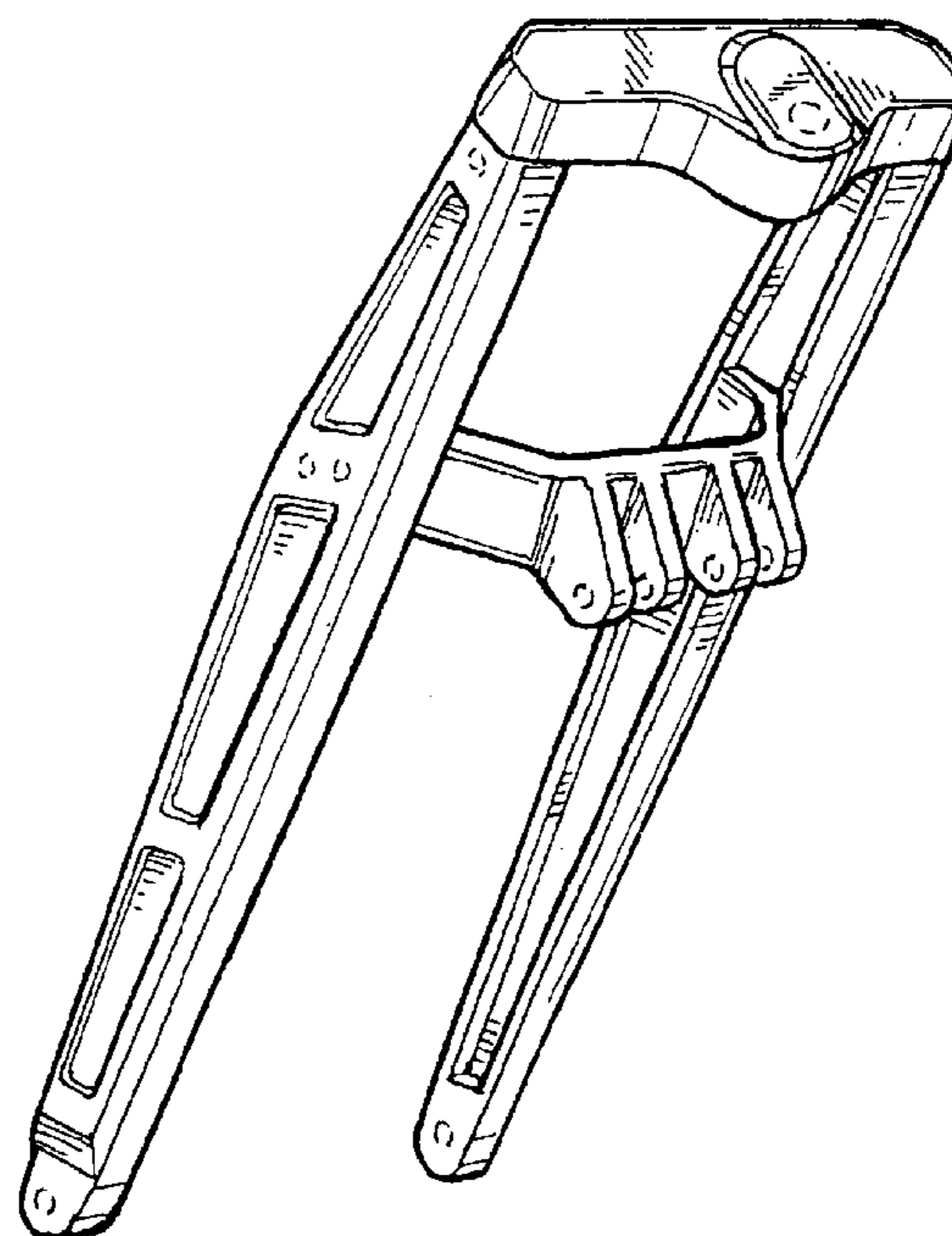
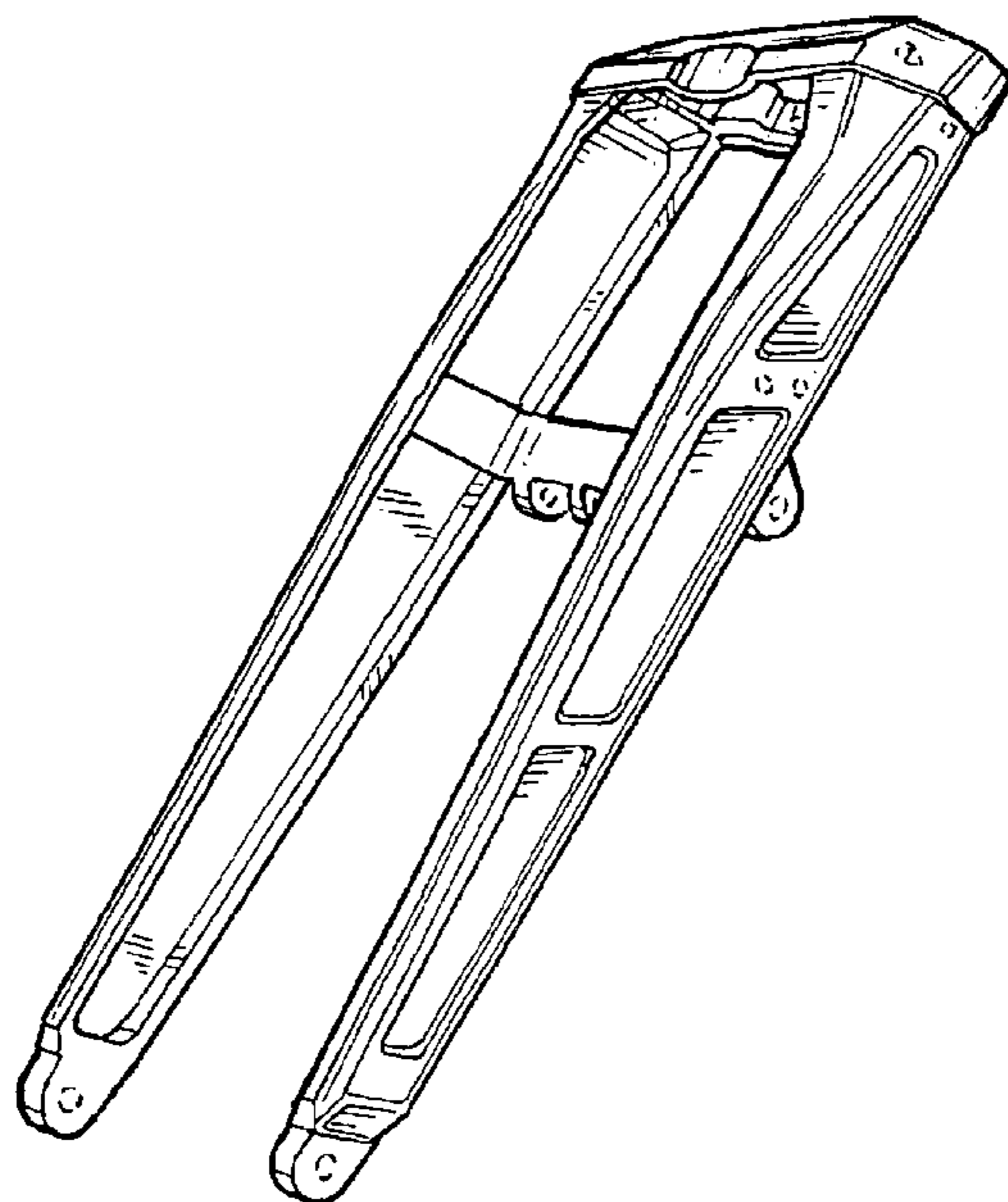
* cited by examiner

The broken line showings of the small circles are for illustrative purposes only and form no part of the claimed invention.

Primary Examiner—Alan P. Douglas

Assistant Examiner—Linda Brooks

1 Claim, 3 Drawing Sheets



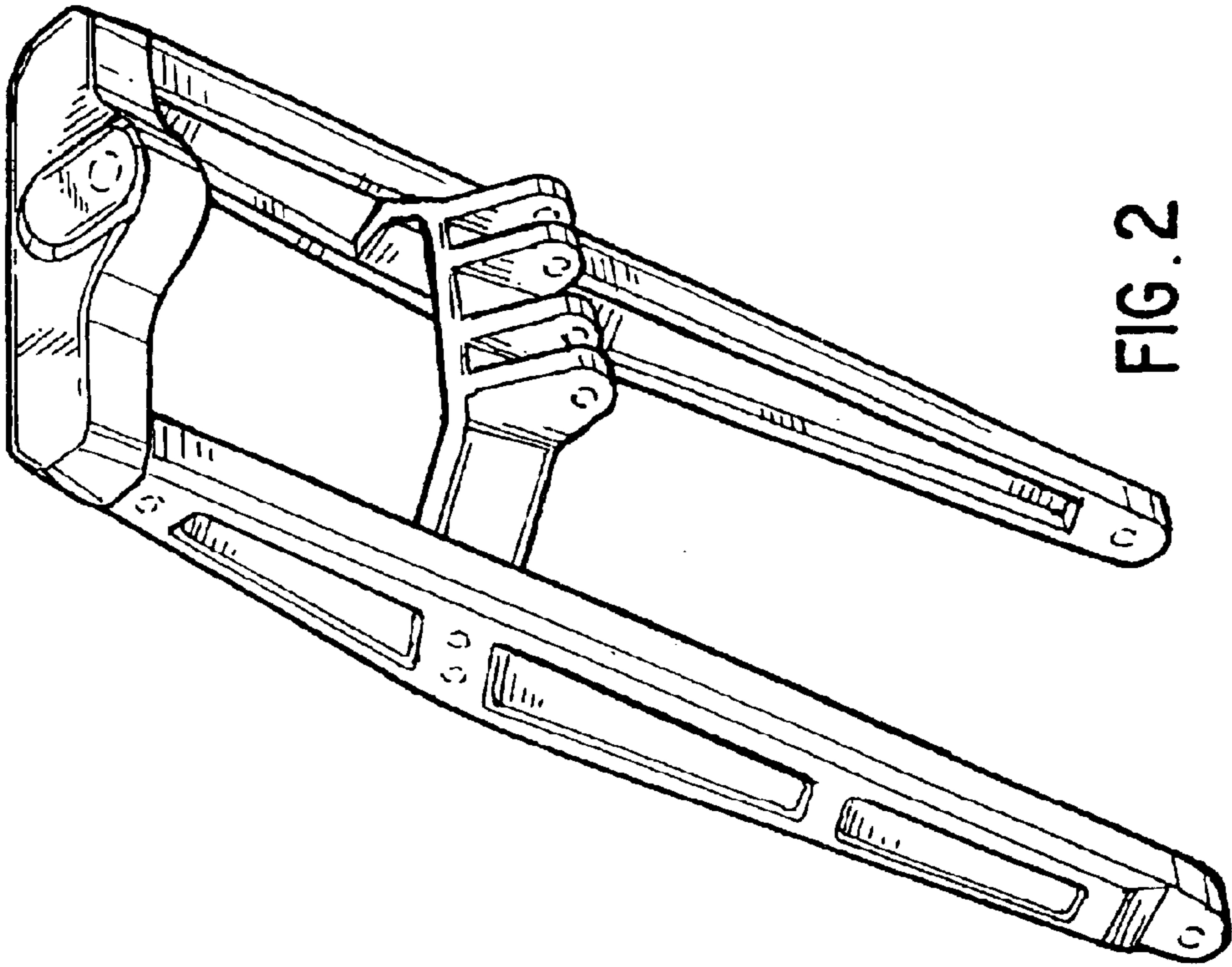


FIG. 2

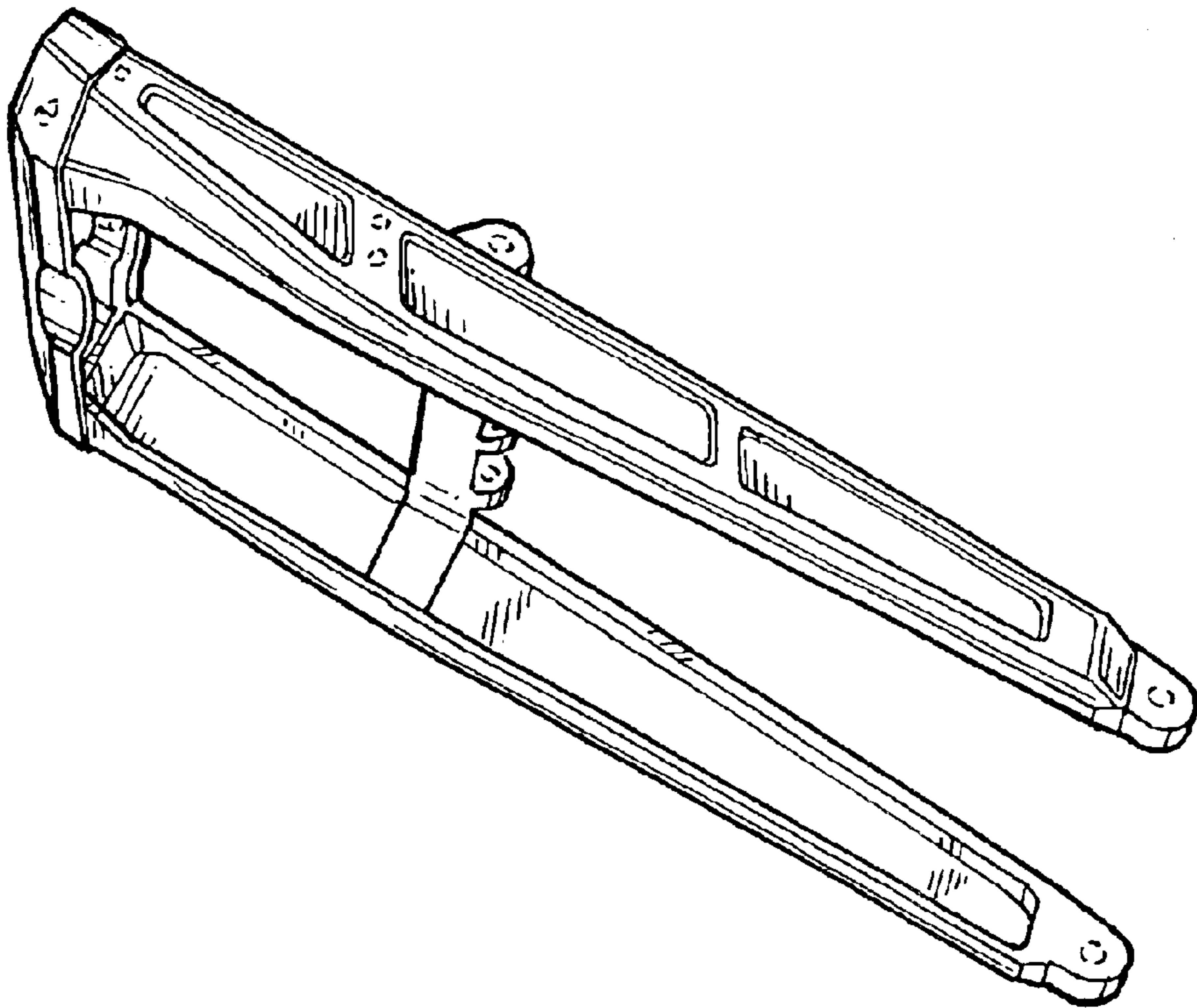


FIG. 1

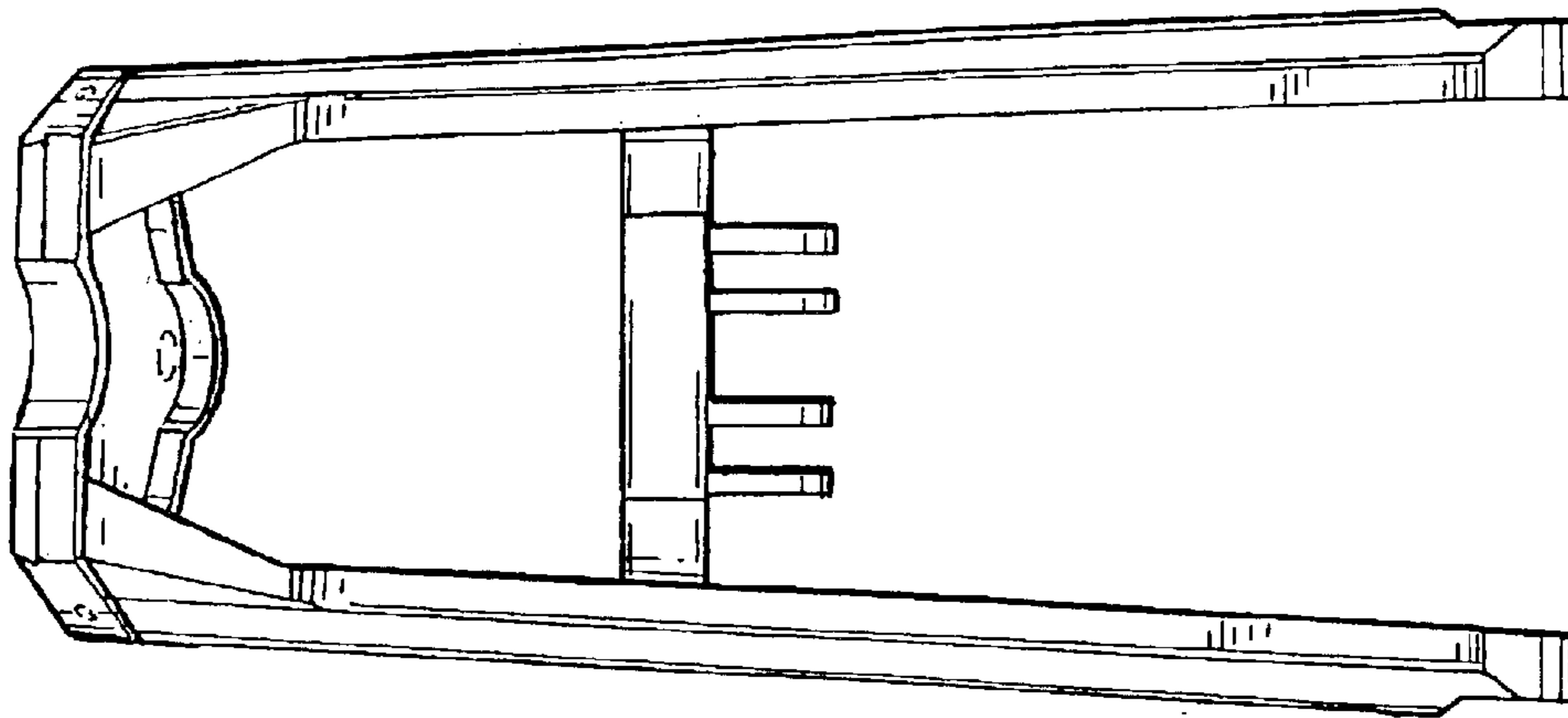


FIG. 4

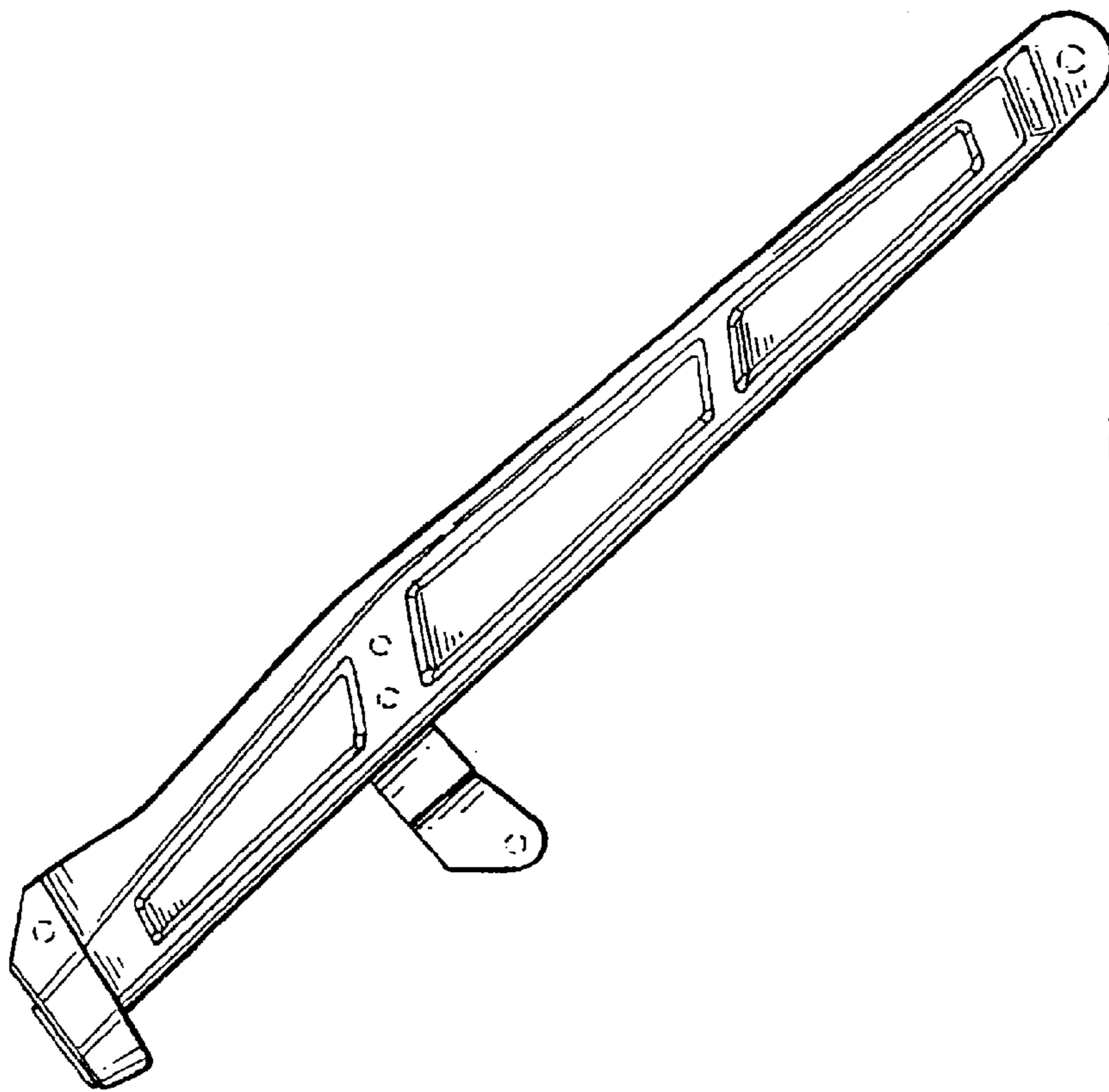


FIG. 3

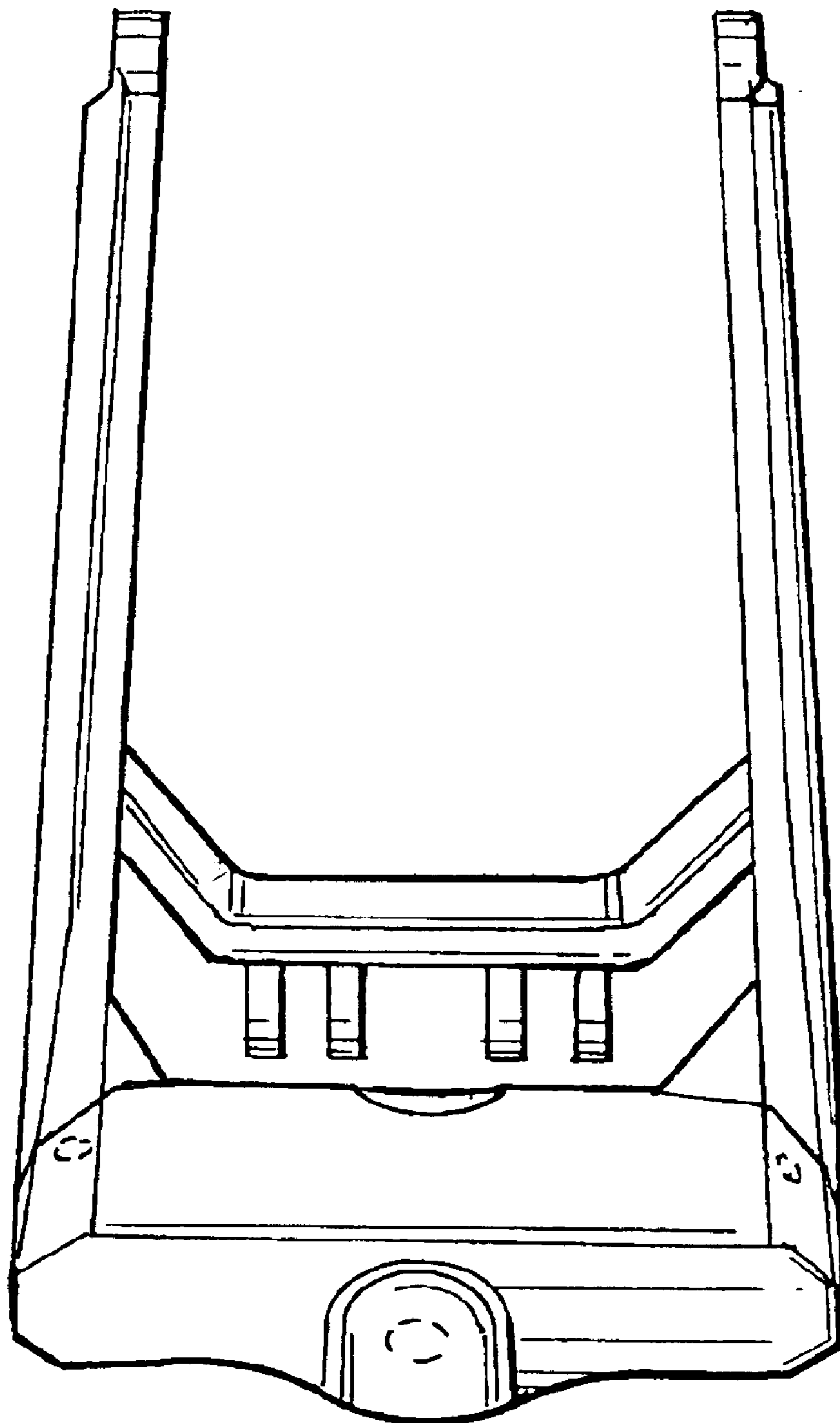


FIG. 5