

US00D506706S

(12) **United States Design Patent**  
**Pfeiffer et al.**

(10) **Patent No.:** **US D506,706 S**  
(45) **Date of Patent:** **\*\* Jun. 28, 2005**

(54) **SURFACE CONFIGURATION OF A VEHICLE, TOY AND/OR OTHER REPLICAS**

(75) Inventors: **Peter Pfeiffer**, Boeblingen (DE);  
**Gorden Wagener**, Stuttgart (DE);  
**Stephen Mattin**, Sindelfingen (DE)

(73) Assignee: **DaimlerChrysler AG**, Stuttgart (DE)

(\*\*) Term: **14 Years**

(21) Appl. No.: **29/185,764**

(22) Filed: **Jul. 3, 2003**

(51) **LOC (8) Cl.** ..... **12-08**

(52) **U.S. Cl.** ..... **D12/91**

(58) **Field of Search** ..... D12/90-92, 86;  
D21/424, 433; 296/185

(56) **References Cited**

**U.S. PATENT DOCUMENTS**

D442,889 S	*	5/2001	Pfeiffer	.....	D12/91
D469,038 S	*	1/2003	Mattin et al.	.....	D12/91
D472,186 S	*	3/2003	Pfeiffer et al.	.....	D12/91
D476,922 S	*	7/2003	Pfeiffer et al.	.....	D12/91
D481,332 S	*	10/2003	Miyazaki et al.	.....	D12/91
D495,975 S	*	9/2004	Pfeiffer	.....	D12/91
D496,607 S	*	9/2004	Pfeiffer	.....	D12/91
D499,356 S	*	12/2004	Minami et al.	.....	D12/91
D499,357 S	*	12/2004	Velazco	.....	D12/91

\* cited by examiner

*Primary Examiner*—Melody N. Brown

(74) *Attorney, Agent, or Firm*—Crowell & Moring LLP

(57) **CLAIM**

The ornamental design for a surface configuration of a vehicle, toy and/or other replicas, as shown and described.

**DESCRIPTION**

This application is related to the following co-pending applications, of the inventors, filed on even date herewith: Application Ser. No. 29/185,792, entitled "Surface Configuration of a Headlight for a Vehicle"; Application Ser. No. 29/185,710, entitled "Surface Configuration of a Taillight for a Vehicle"; Application Ser. No. 29/185,793, entitled "Surface Configuration of a Front Bumper for a Vehicle"; Application Ser. No. 29/185,761 entitled "Surface Configuration of a Rear Bumper for a Vehicle"; and Application Ser. No. 29/185,763 entitled "Surface Configuration of a Grill for a Vehicle".

FIG. 1 is a front view of a surface configuration of a vehicle, toy and/or other replicas according to our novel design;

FIG. 2 is a left, front perspective view of the surface configuration of a vehicle, toy and/or other replicas according to our novel design, the right, front perspective view being mirror symmetrical;

FIG. 3 is a left side view of the surface configuration of a vehicle, toy and/or other replicas according to our novel design;

FIG. 4 is a right side view of the surface configuration of a vehicle, toy and/or other replicas according to our novel design;

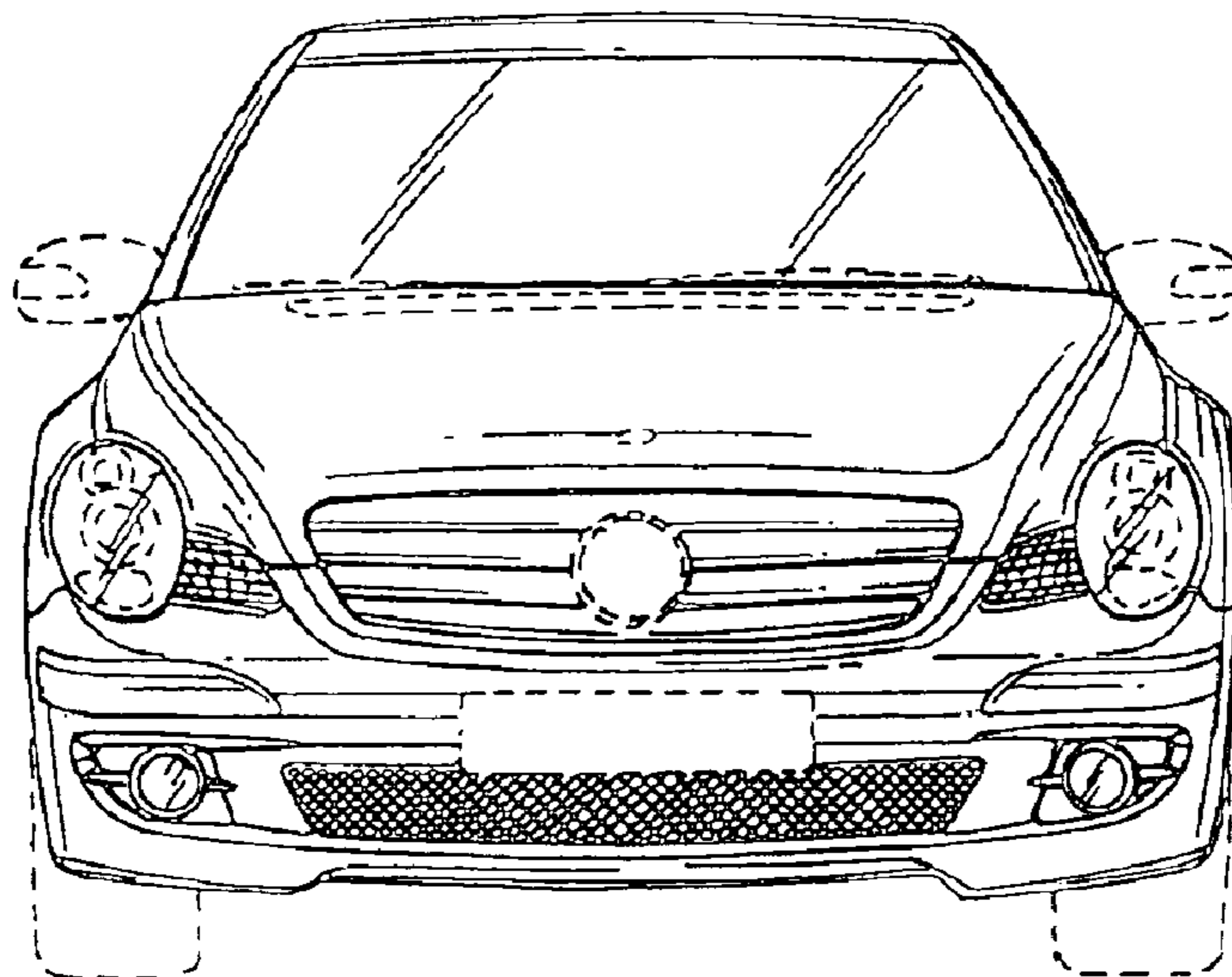
FIG. 5 is a left, rear perspective view of the surface configuration of a vehicle, toy and/or other replicas according to our novel design, the right, rear perspective view being mirror symmetrical;

FIG. 6 is a rear view of the surface configuration of a vehicle, toy and/or other replicas according to our novel design; and,

FIG. 7 is a top view of the surface configuration of a vehicle, toy and/or other replicas according to our novel design.

The broken lines are for illustrative purposes only and form no part of the claimed design.

**1 Claim, 5 Drawing Sheets**



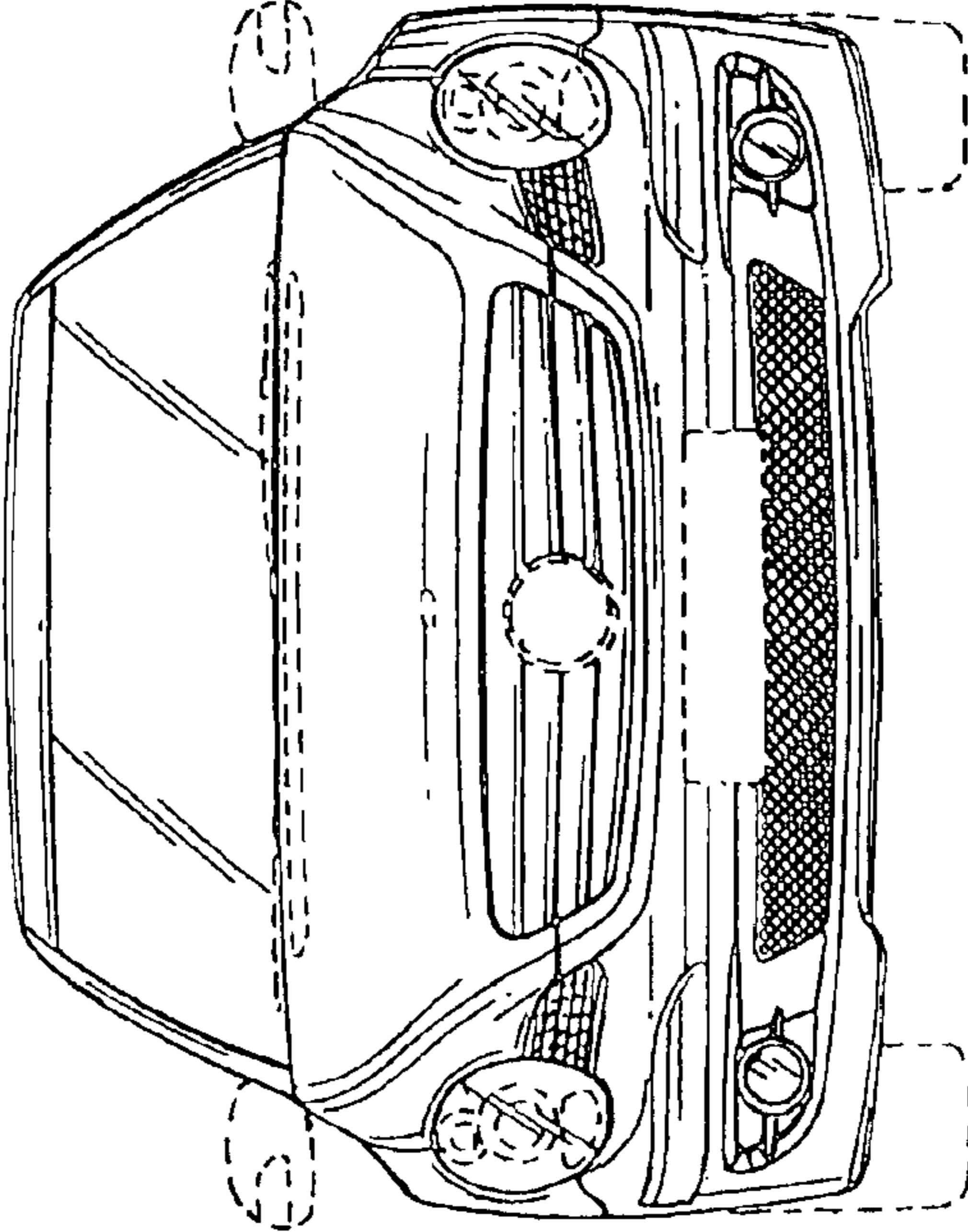


FIG. 1

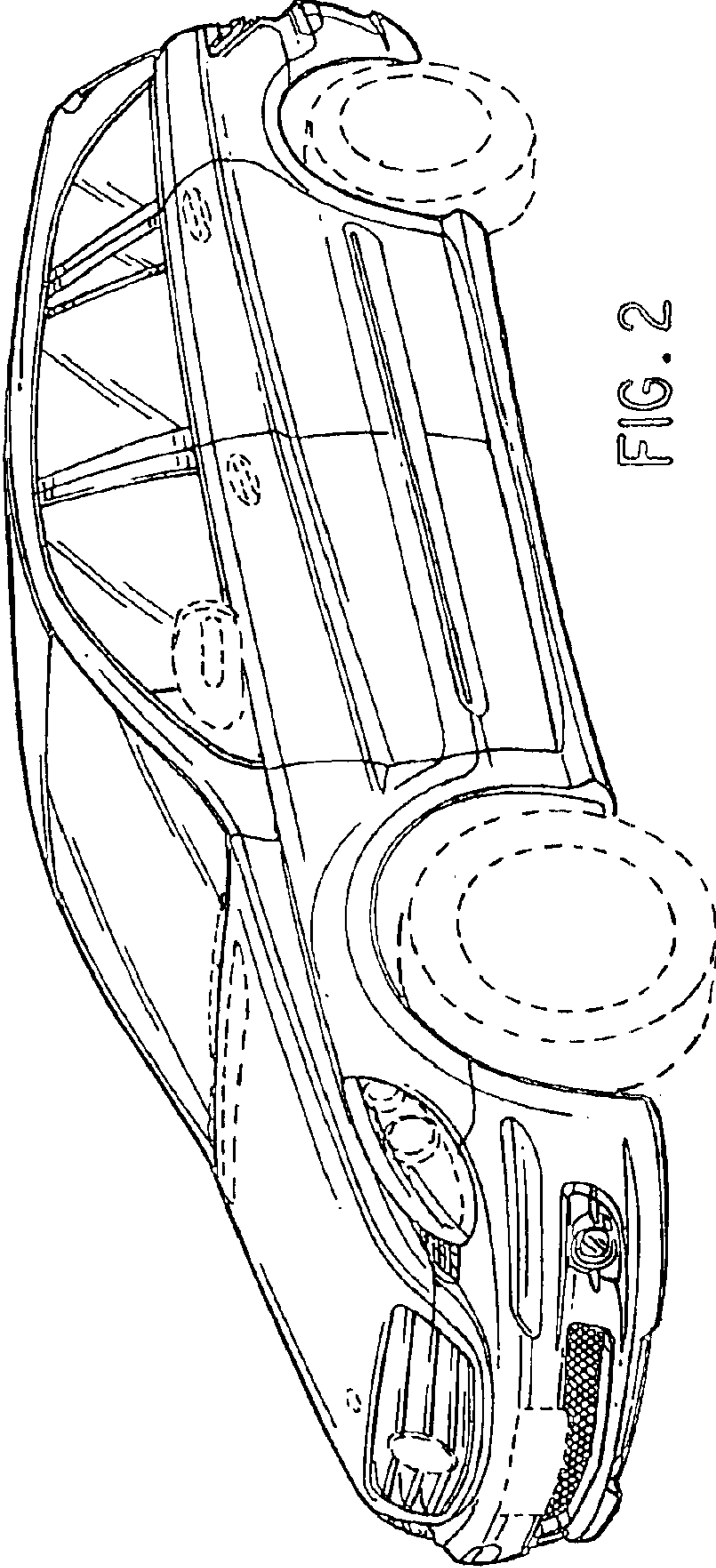


FIG. 2

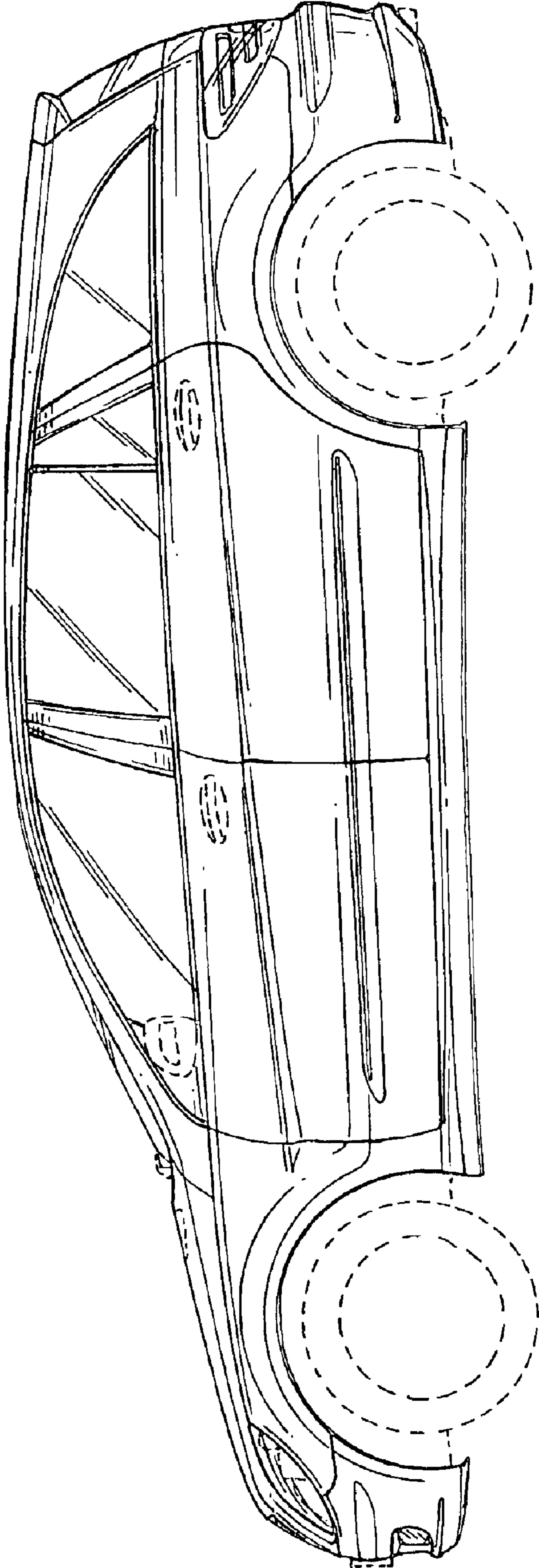


FIG. 3

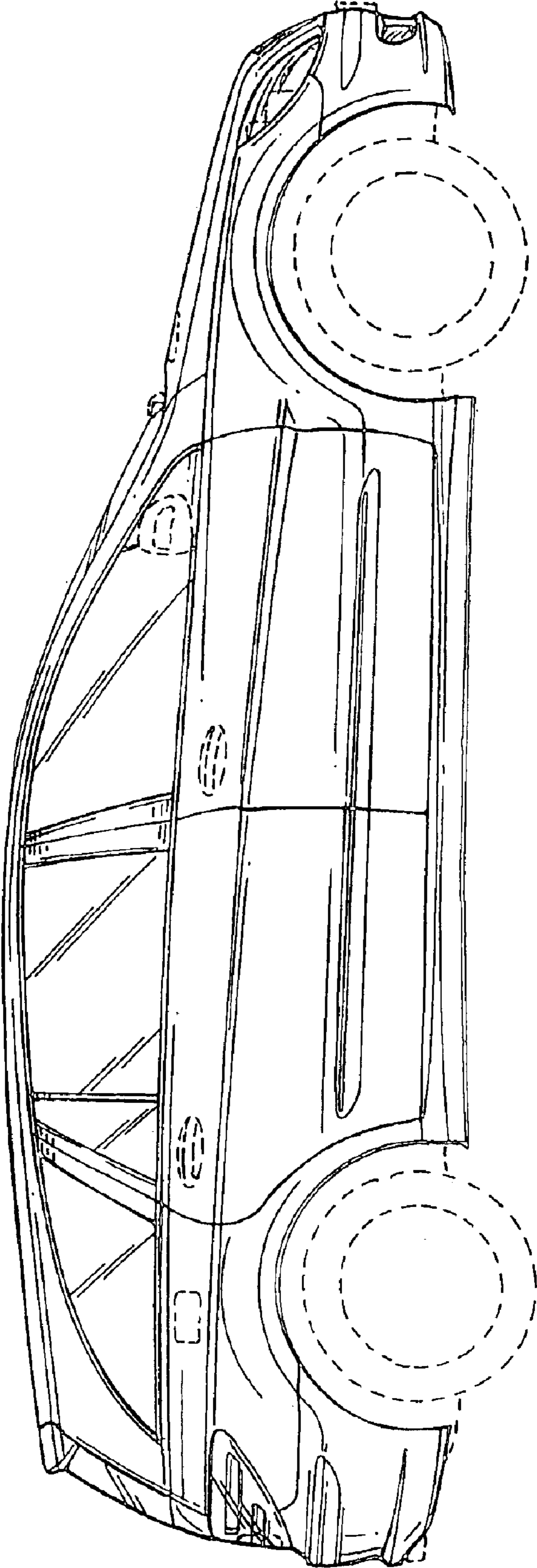


FIG. 4

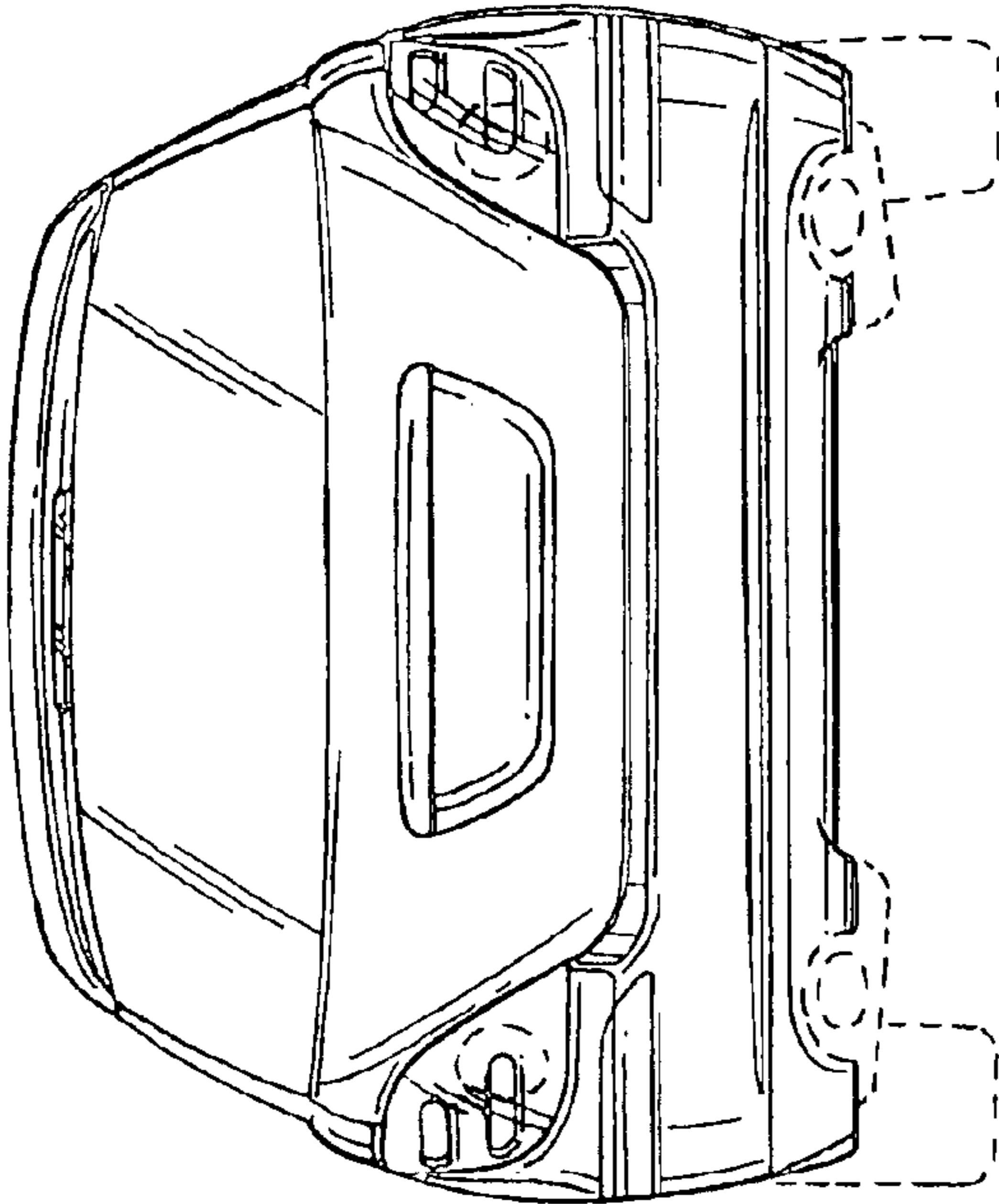


FIG. 6

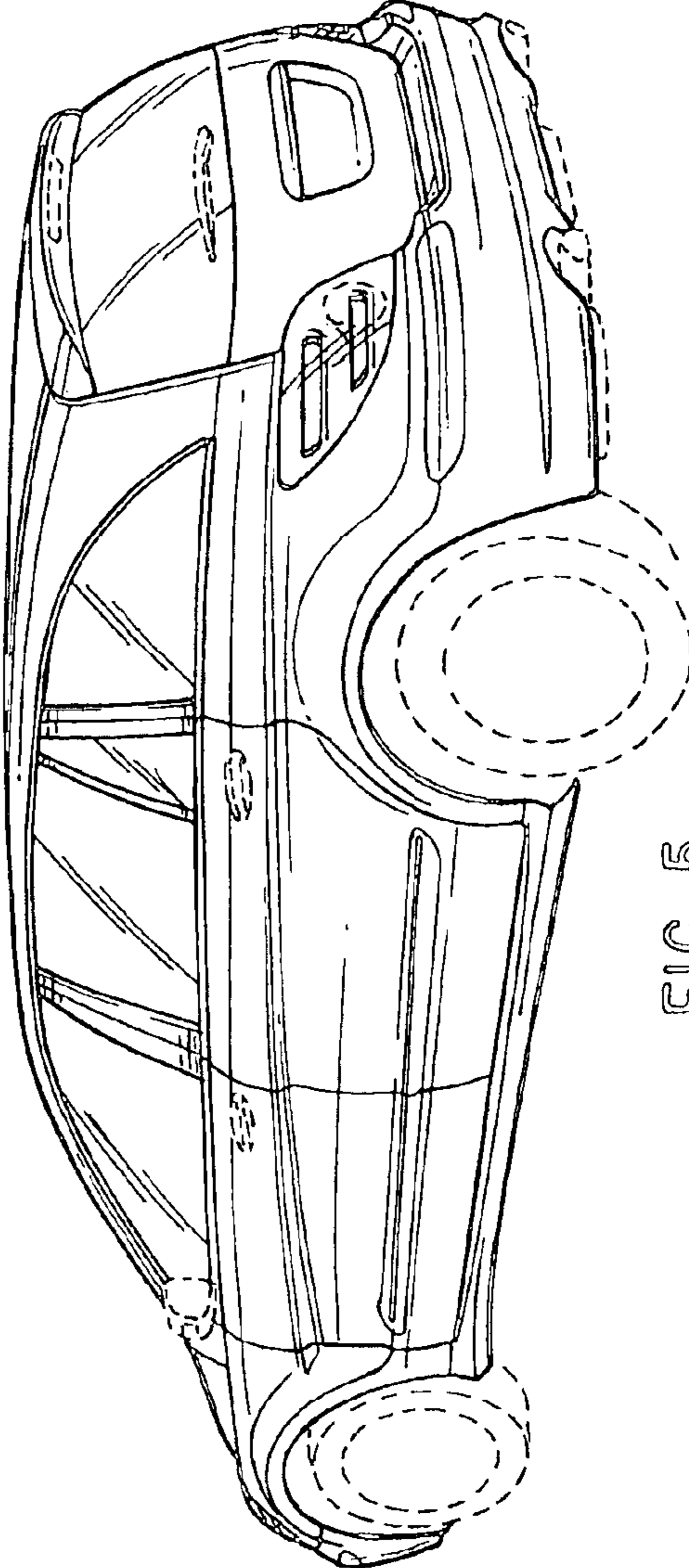


FIG. 5

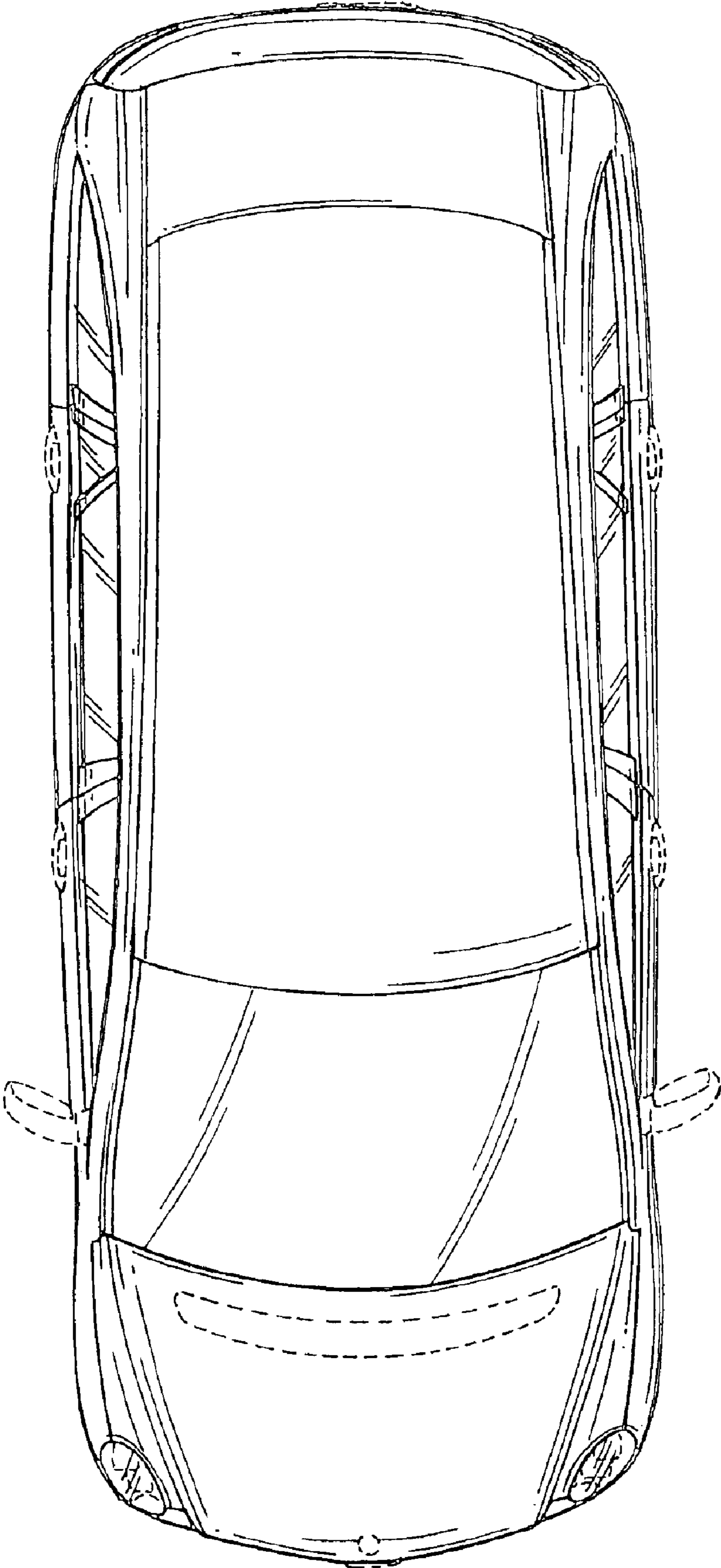


FIG. 7