

US00D506702S

(12) **United States Design Patent**
Fan

(10) **Patent No.:** **US D506,702 S**
(45) **Date of Patent:** **** Jun. 28, 2005**

- (54) **SELF WATERING RESERVOIR**
- (76) Inventor: **Jianhua Fan**, 5800 Maudina Ave., Apt. C-2, Nashville, TN (US) 37209
- (**) Term: **14 Years**
- (21) Appl. No.: **29/171,266**
- (22) Filed: **Nov. 19, 2002**
- (51) **LOC (8) Cl.** **11-02**
- (52) **U.S. Cl.** **D11/143**
- (58) **Field of Search** D11/143, 144, D11/145, 148, 152-154; 47/65.5, 66.6, 67, 68, 70, 71, 79, 81; 206/423; 248/27.8

FR 1.024.483 1/1953
GB 2240250 7/1991

* cited by examiner

Primary Examiner—Stacia Cadmus
Assistant Examiner—Mimosa De

(57) **CLAIM**

The ornamental design for self watering reservoir, as shown and described.

DESCRIPTION

FIG. 1 is a slightly enlarged side view of the self watering reservoir taken along line 1—1 in FIG. 3 on a;
FIG. 2 is a perspective view of a self watering reservoir shown from the front, left, and above;
FIG. 3 is a top plan view of FIG. 2;
FIG. 4 is a bottom plan view of FIG. 2;
FIG. 5 is a left side elevational view of FIG. 2;
FIG. 6 is a right side elevational view of FIG. 2;
FIG. 7 is a front side elevational view of FIG. 2; and,
FIG. 8 is a rear side elevational view of FIG. 2.
The broken lines shown in FIG. 1 are for illustrative purposes only and form no part of the claimed design.

(56) **References Cited**

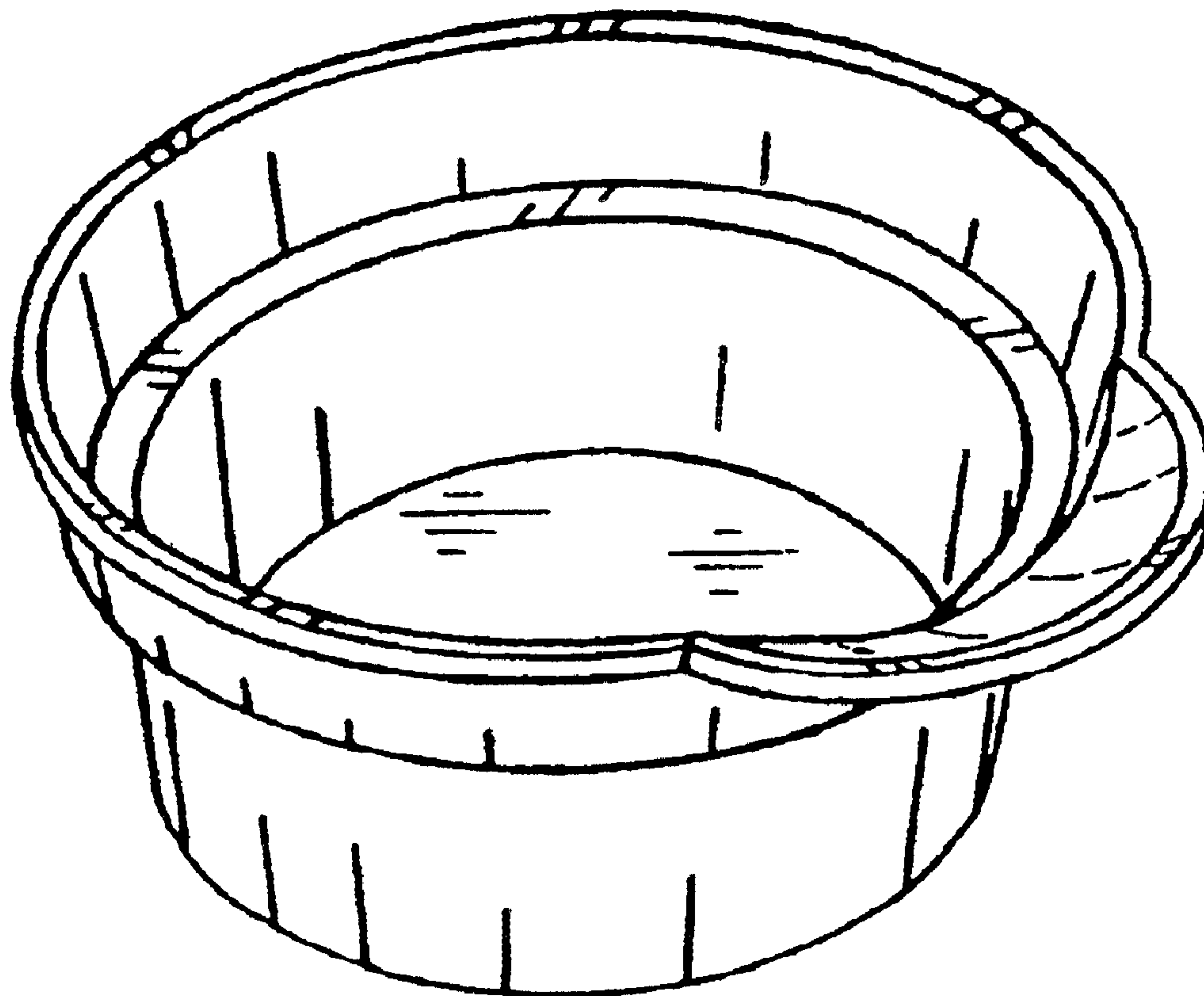
U.S. PATENT DOCUMENTS

- 1,216,642 A 2/1917 White
- 1,391,353 A * 9/1921 Wells 47/71
- D250,009 S * 10/1978 Karotseris D11/143
- 4,250,625 A 2/1981 Reif
- 4,991,345 A * 2/1991 Bloch 47/79
- 5,638,638 A * 6/1997 Moskowitz 47/71
- D384,907 S * 10/1997 Moskowitz D11/152
- D460,021 S * 7/2002 Fan D11/152

FOREIGN PATENT DOCUMENTS

CH 308827 1/1953

1 Claim, 4 Drawing Sheets



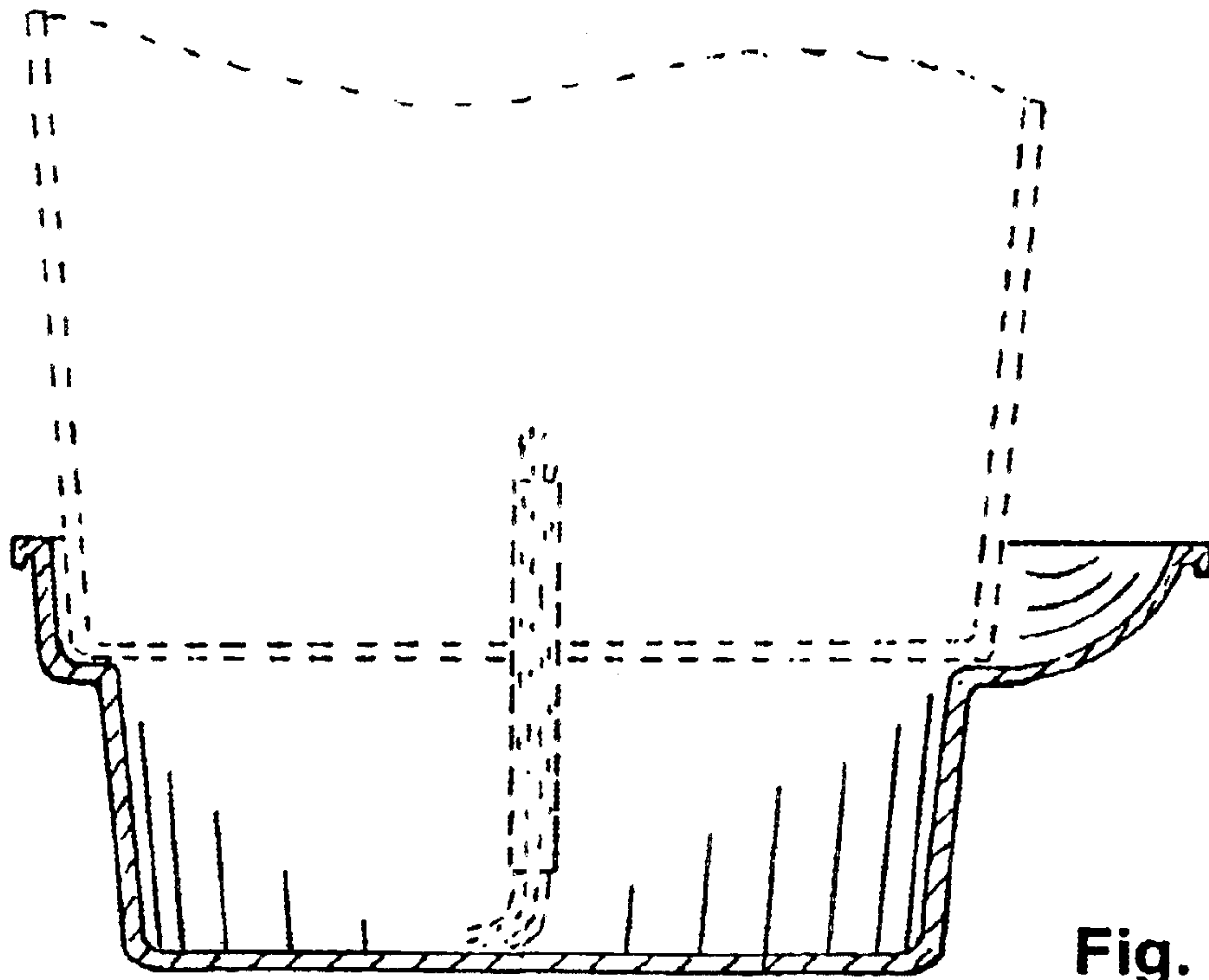


Fig. 1

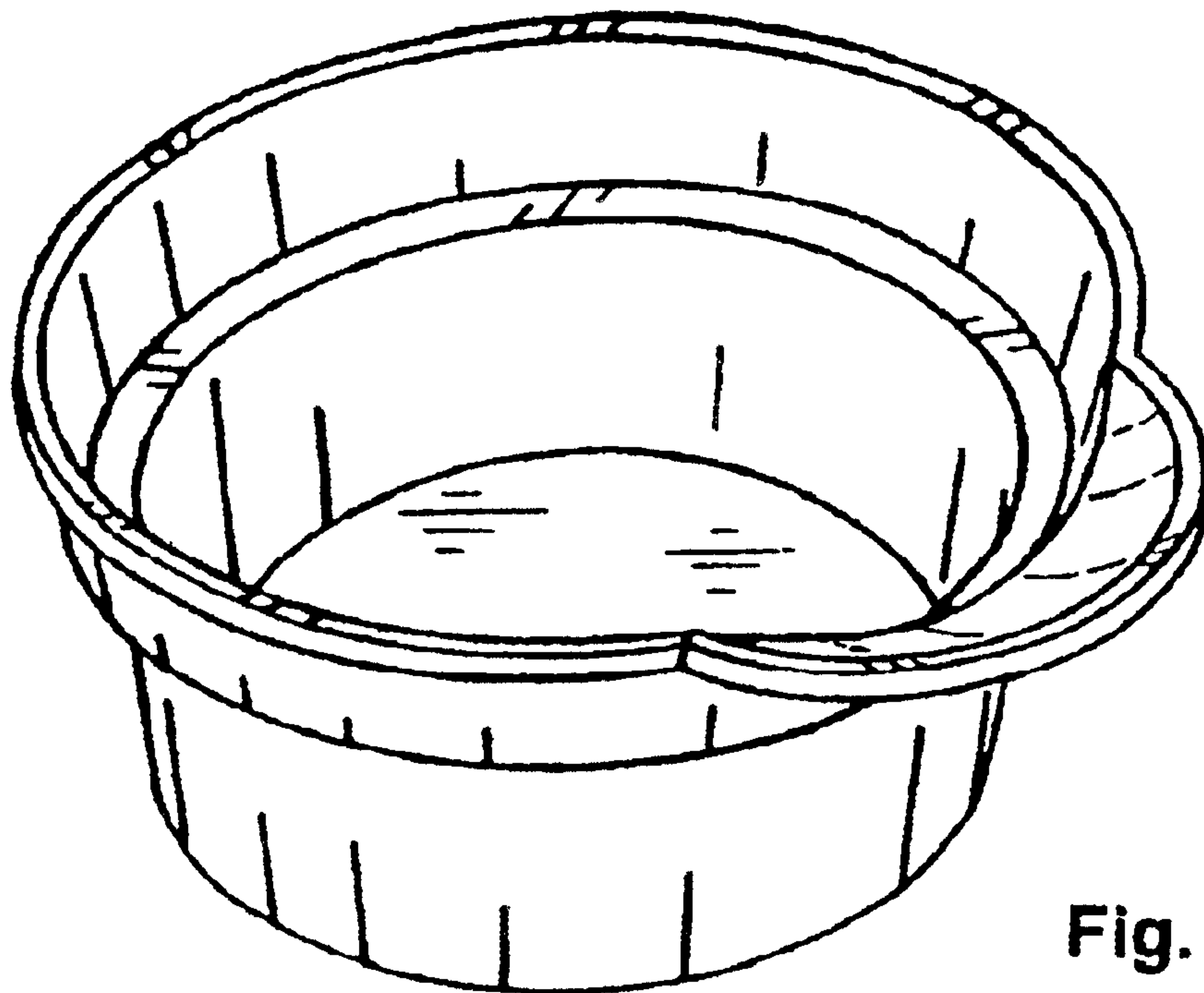


Fig. 2

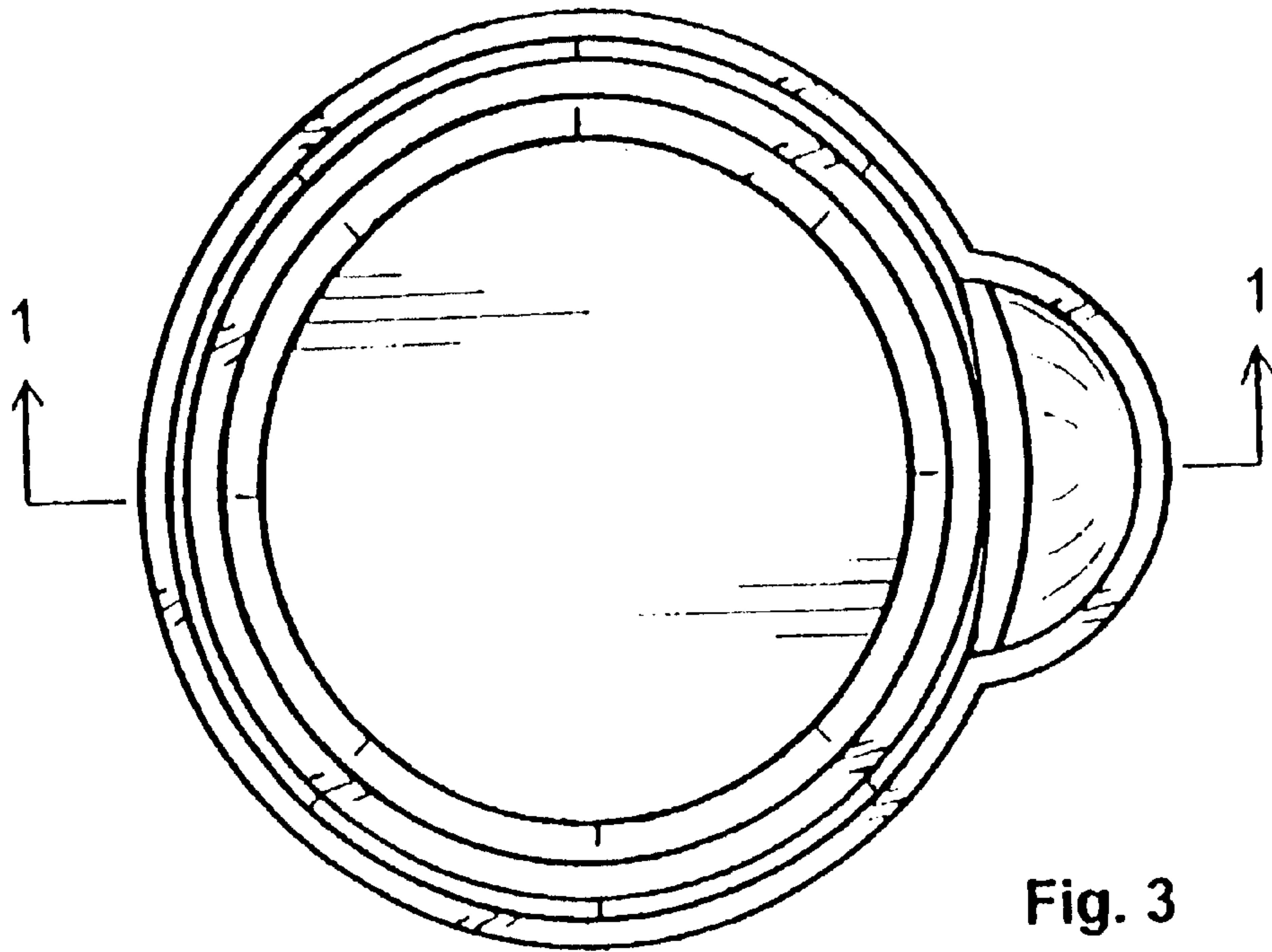


Fig. 3

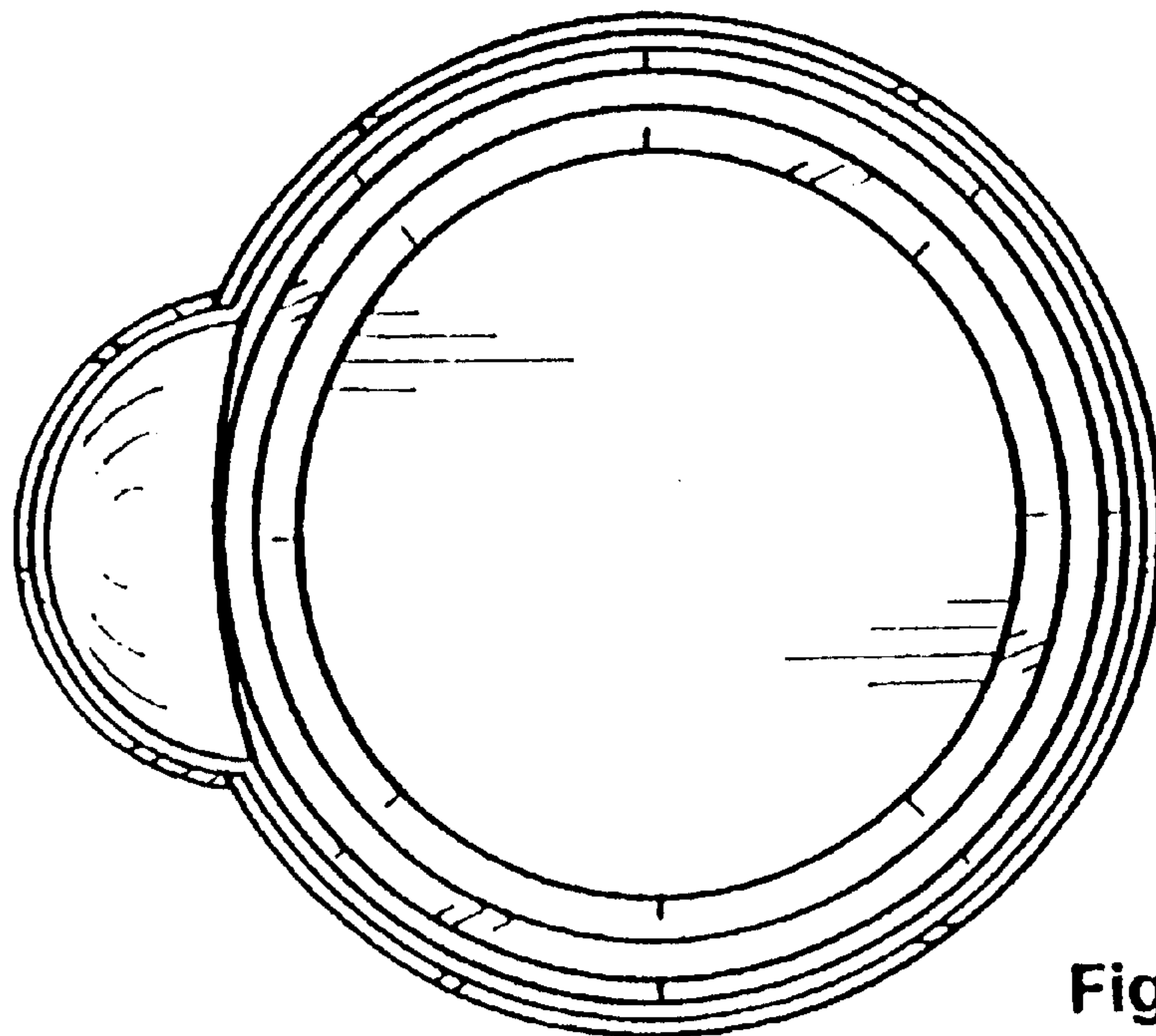


Fig. 4

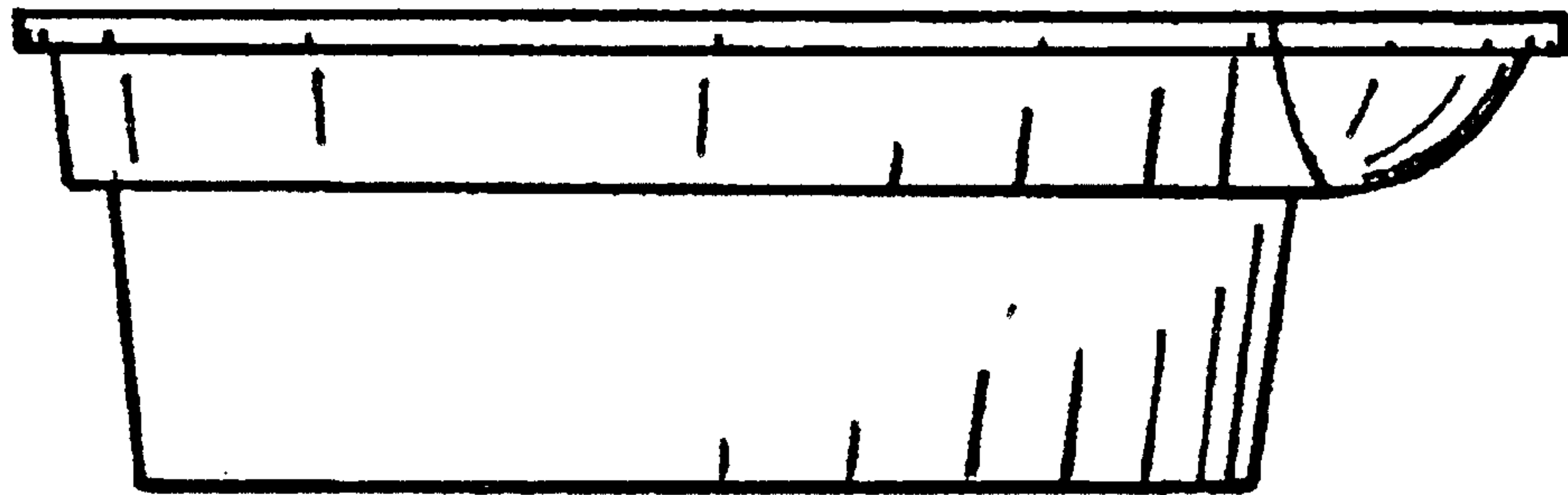


Fig. 5

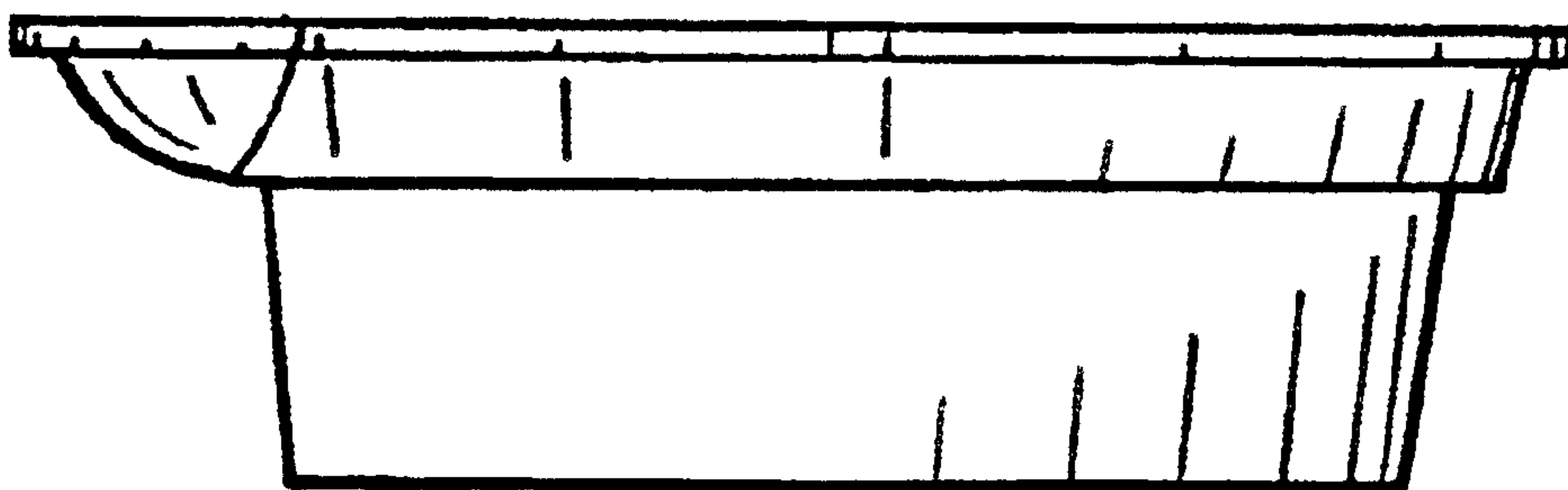


Fig. 6

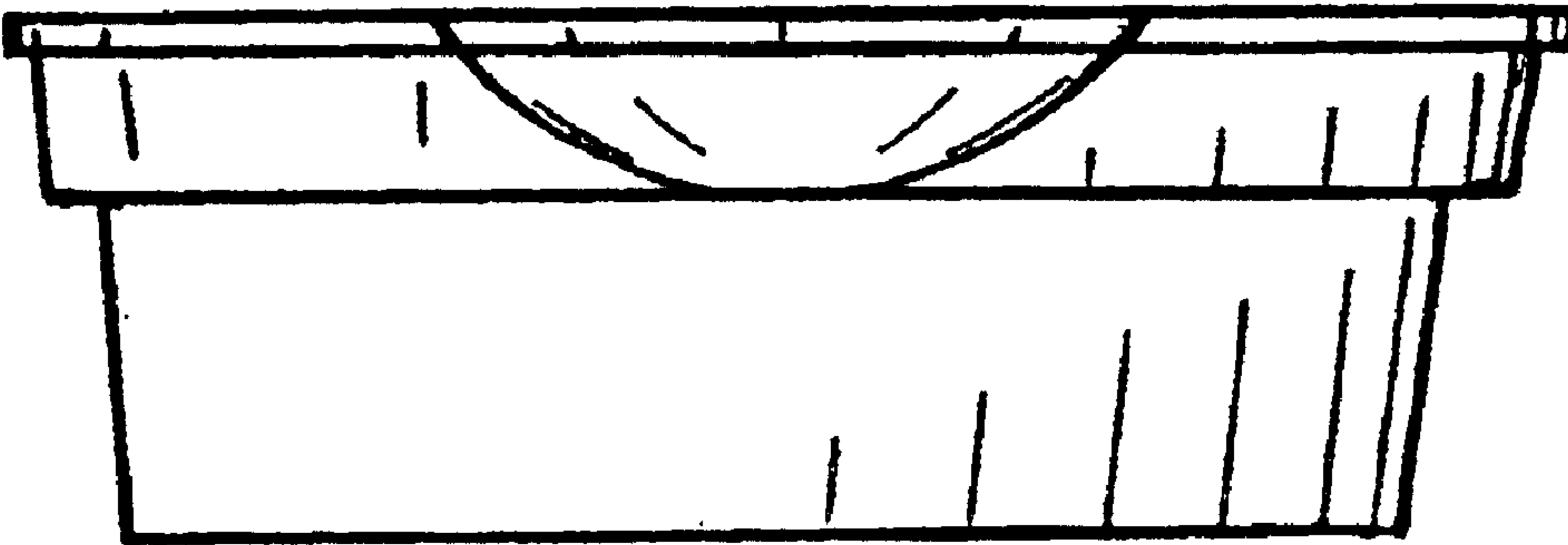


Fig. 7

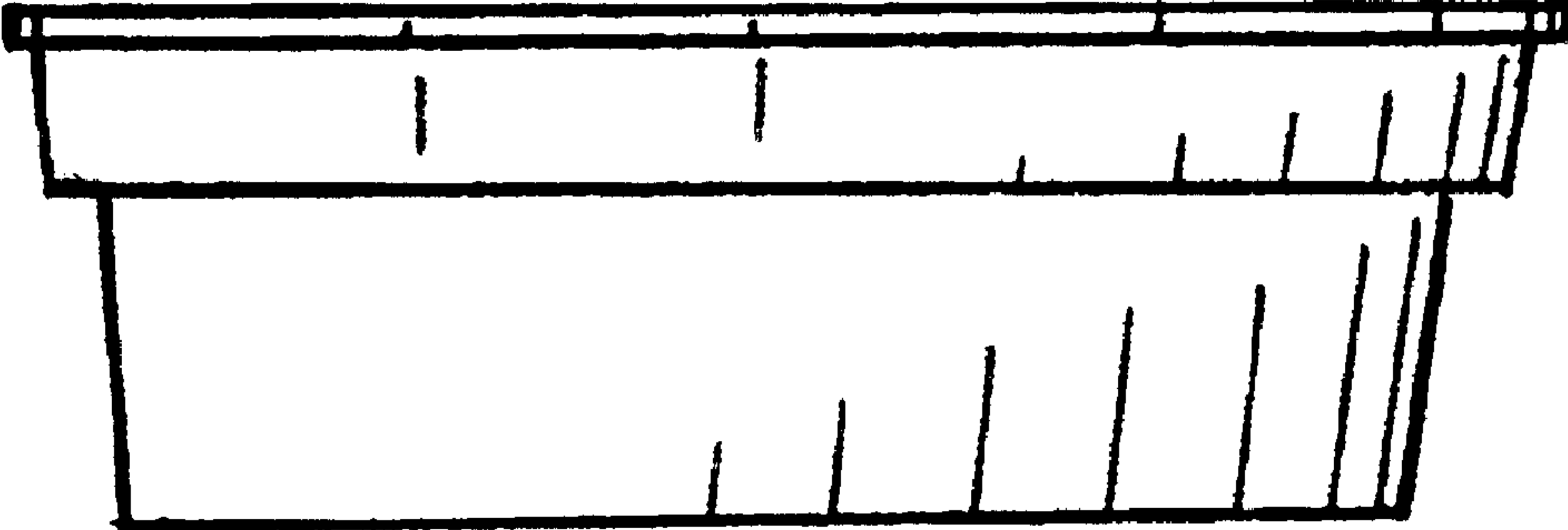


Fig. 8