

US00D506695S

(12) **United States Design Patent**
Monroe et al.

(10) **Patent No.:** **US D506,695 S**
(45) **Date of Patent:** **** Jun. 28, 2005**

(54) **MOTION SENSOR HEAD**

(75) Inventors: **Tim Monroe**, Fairfield, CA (US); **John H. Wandrey**, Long Beach, CA (US)

(73) Assignee: **Cordelia Lighting Inc.**, Rancho Dominguez, CA (US)

(**) Term: **14 Years**

(21) Appl. No.: **29/193,220**

(22) Filed: **Nov. 4, 2003**

(51) **LOC (8) Cl.** **10-05**

(52) **U.S. Cl.** **D10/104**

(58) **Field of Search** D10/156, 104,
D10/116, 121; D14/426, 299, 358, 432;
D13/123; 340/521, 555, 556, 557, 600

(56) **References Cited**

U.S. PATENT DOCUMENTS

D336,089 S	*	6/1993	Crawshaw et al.	D14/299
D359,923 S	*	7/1995	Sandell	D10/106
D360,157 S	*	7/1995	Sandell et al.	D10/106
D377,347 S	*	1/1997	Karlin	D14/428
5,649,761 A	*	7/1997	Sandell et al.	362/276
5,717,203 A	*	2/1998	Yung	250/221
5,757,004 A	*	5/1998	Sandell et al.	250/347
D414,171 S	*	9/1999	Swift et al.	D14/428
D423,702 S	*	4/2000	Hussaini et al.	D26/28
D428,352 S	*	7/2000	Hiller et al.	D10/106
D434,992 S	*	12/2000	Hiller et al.	D10/106
6,175,309 B1	*	1/2001	Drake et al.	340/545.3
D438,133 S	*	2/2001	Leen	D10/106

D440,675 S	*	4/2001	Okuda	D26/28
D448,374 S	*	9/2001	Liu	D14/358
6,348,686 B1	*	2/2002	Howard et al.	250/239
D456,808 S	*	5/2002	Fitch et al.	D14/428
D461,189 S	*	8/2002	Bontly et al.	D14/426
6,472,997 B2	*	10/2002	Leen	340/815.45
D470,145 S	*	2/2003	Schlieffers et al.	D14/428
D487,262 S	*	3/2004	van Engelen et al.	D14/240
6,781,129 B2	*	8/2004	Leen	250/342
D497,444 S	*	10/2004	Okuda et al.	D26/28
D499,824 S	*	12/2004	Wu	D26/28
2003/0080296 A1	*	5/2003	Raper et al.	250/342

* cited by examiner

Primary Examiner—Joel A. Sincavage

Assistant Examiner—Austin Murphy

(74) *Attorney, Agent, or Firm*—Paul Y. Feng; Fulwider Patton Lee & Utecht, LLP

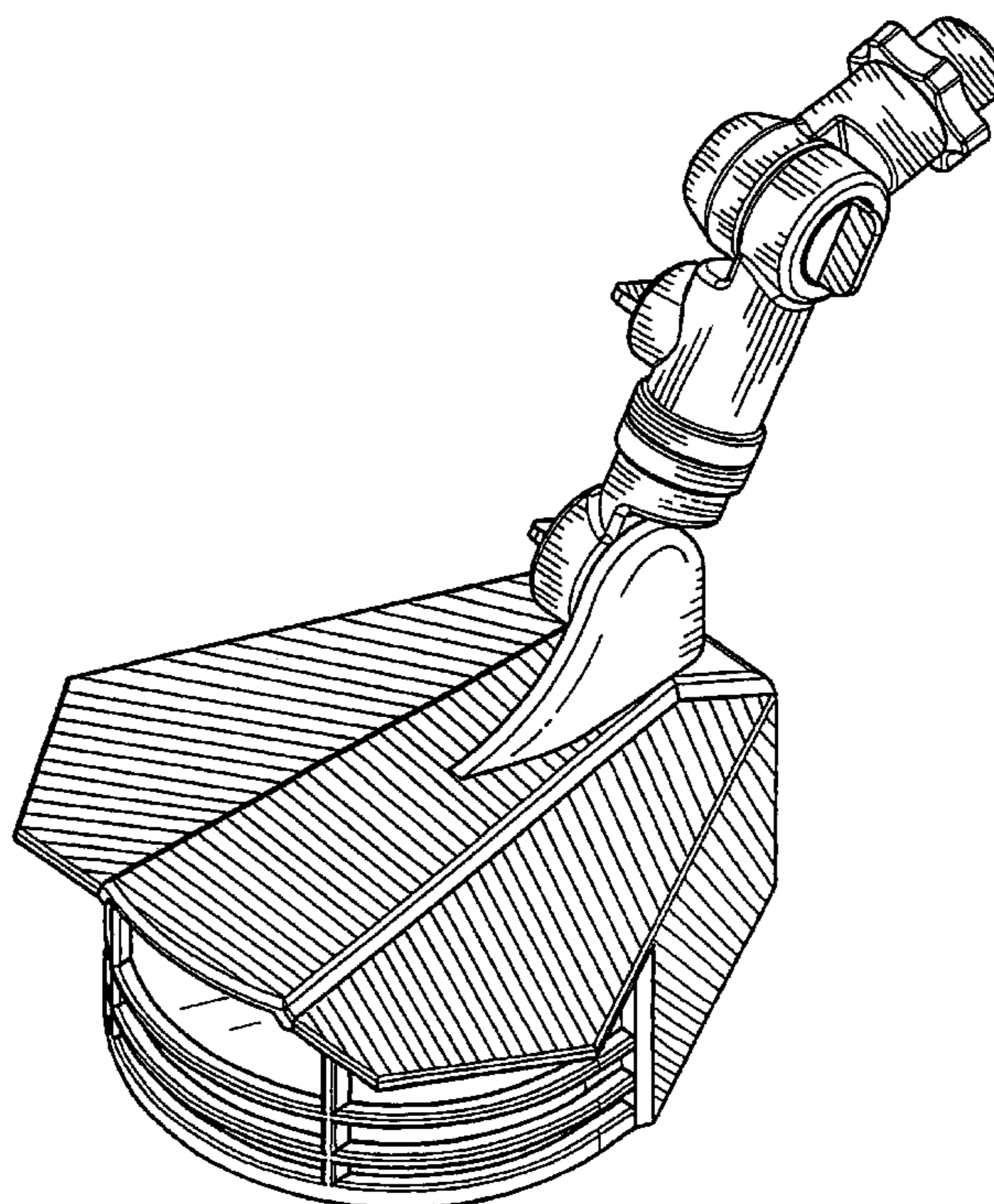
(57) **CLAIM**

The ornamental design for a motion sensor head, as shown and described.

DESCRIPTION

FIG. 1 is a front elevational view of our motion sensor head showing our new design;
FIG. 2 is a rear elevational view;
FIG. 3 is a top plan view;
FIG. 4 is a bottom view;
FIG. 5 is a right side elevational view;
FIG. 6 is a left side elevational view;
FIG. 7 is a top perspective view; and,
FIG. 8 is a bottom perspective view.

1 Claim, 8 Drawing Sheets



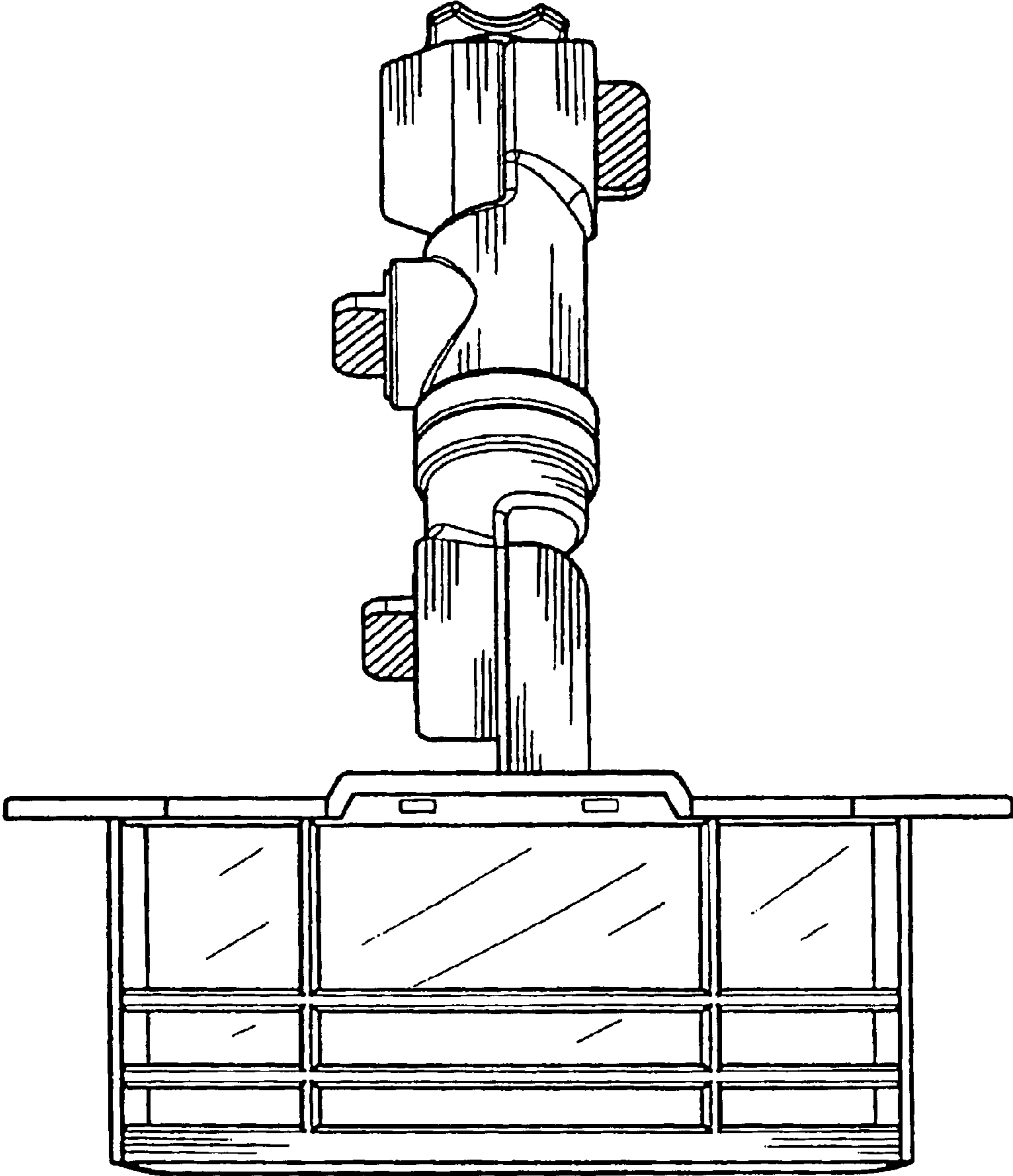


FIG. 1

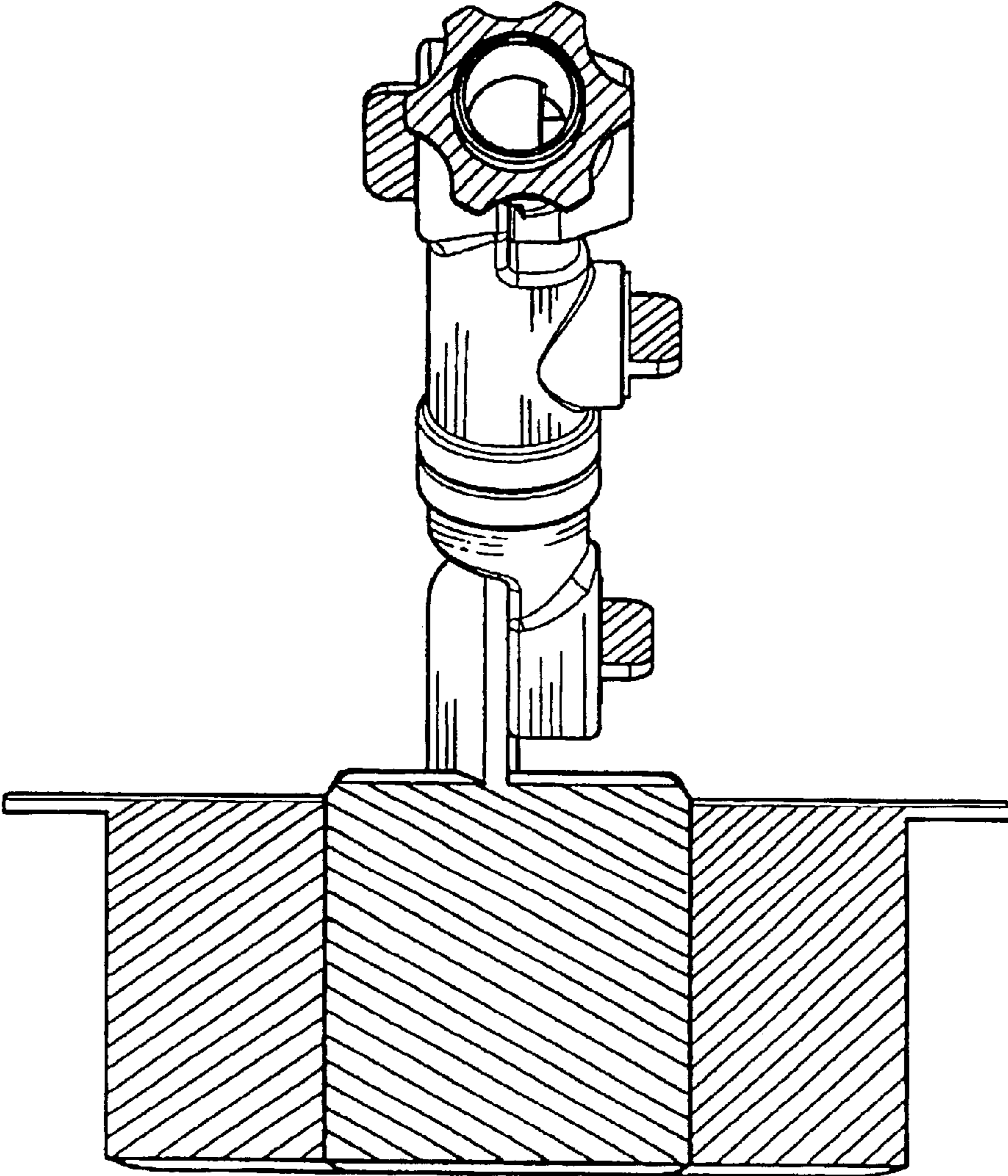


FIG. 2

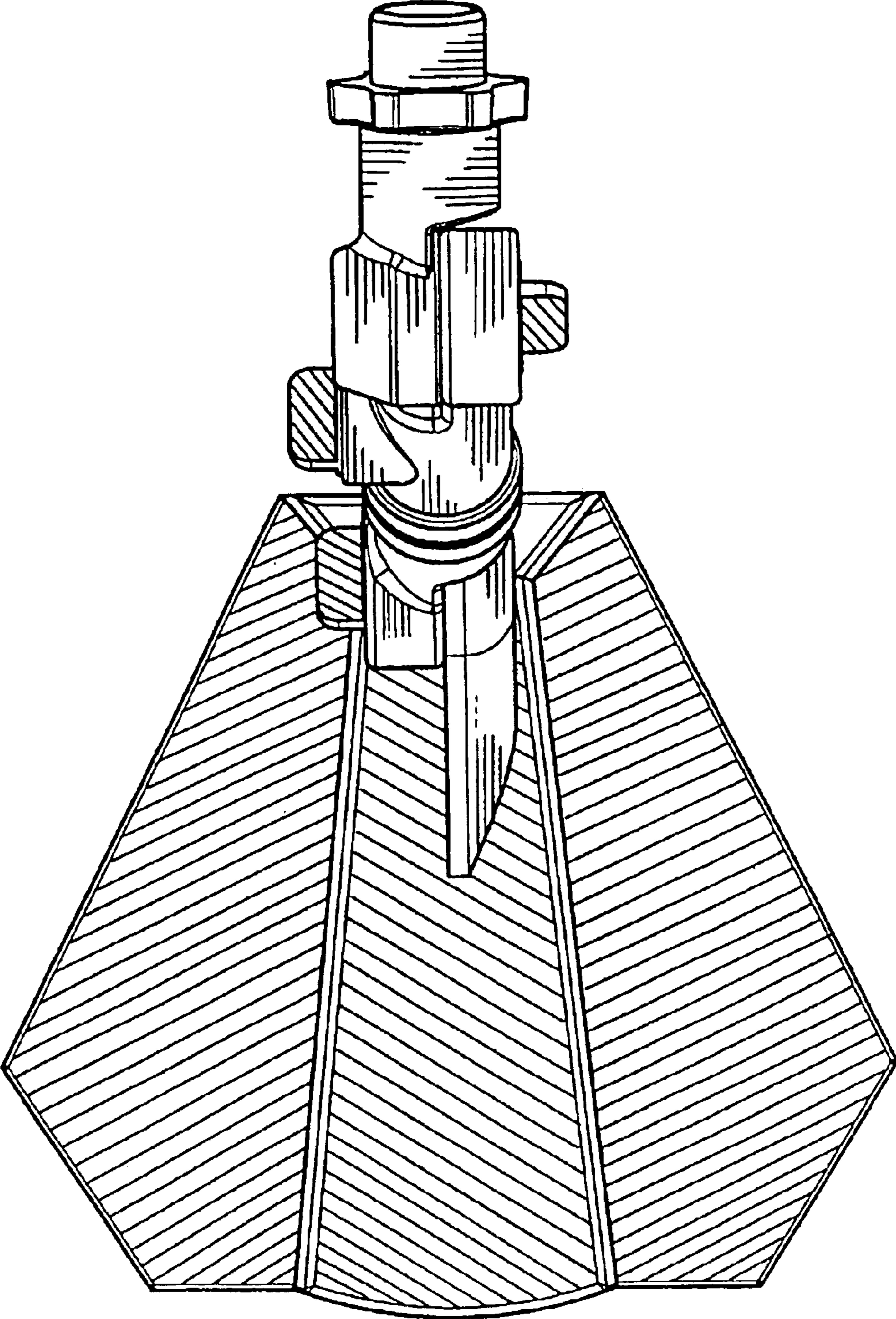


FIG. 3

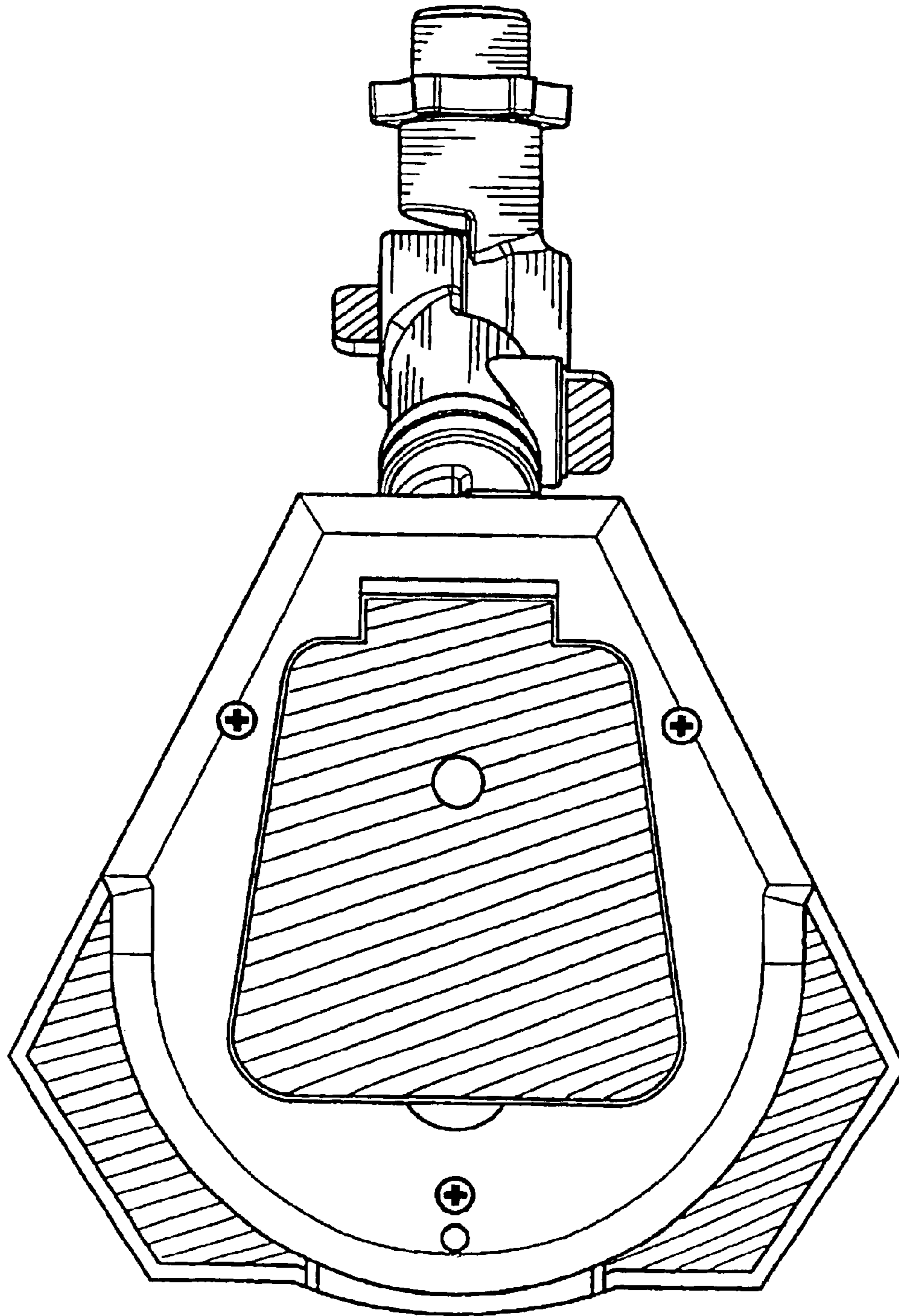


FIG. 4

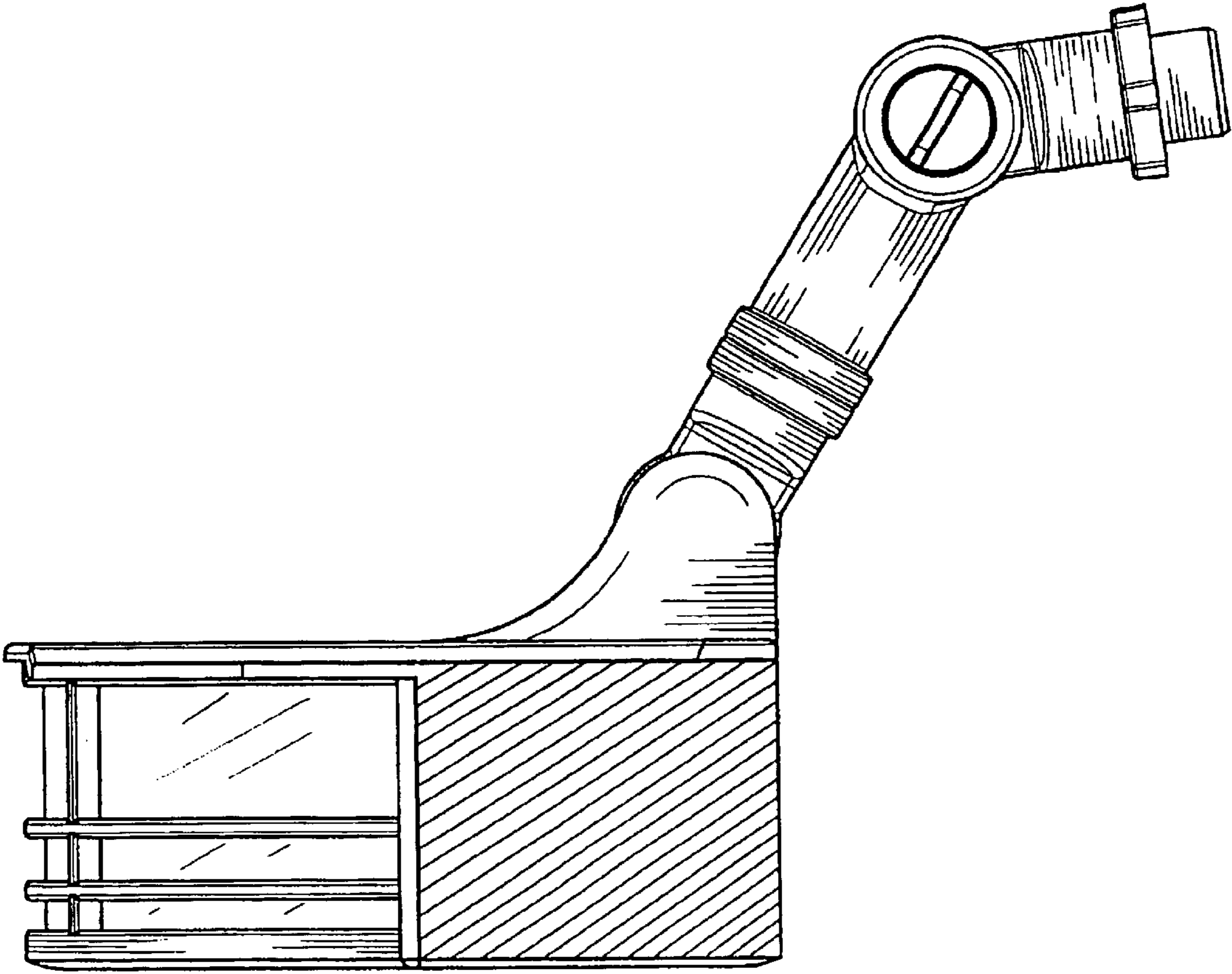


FIG. 5

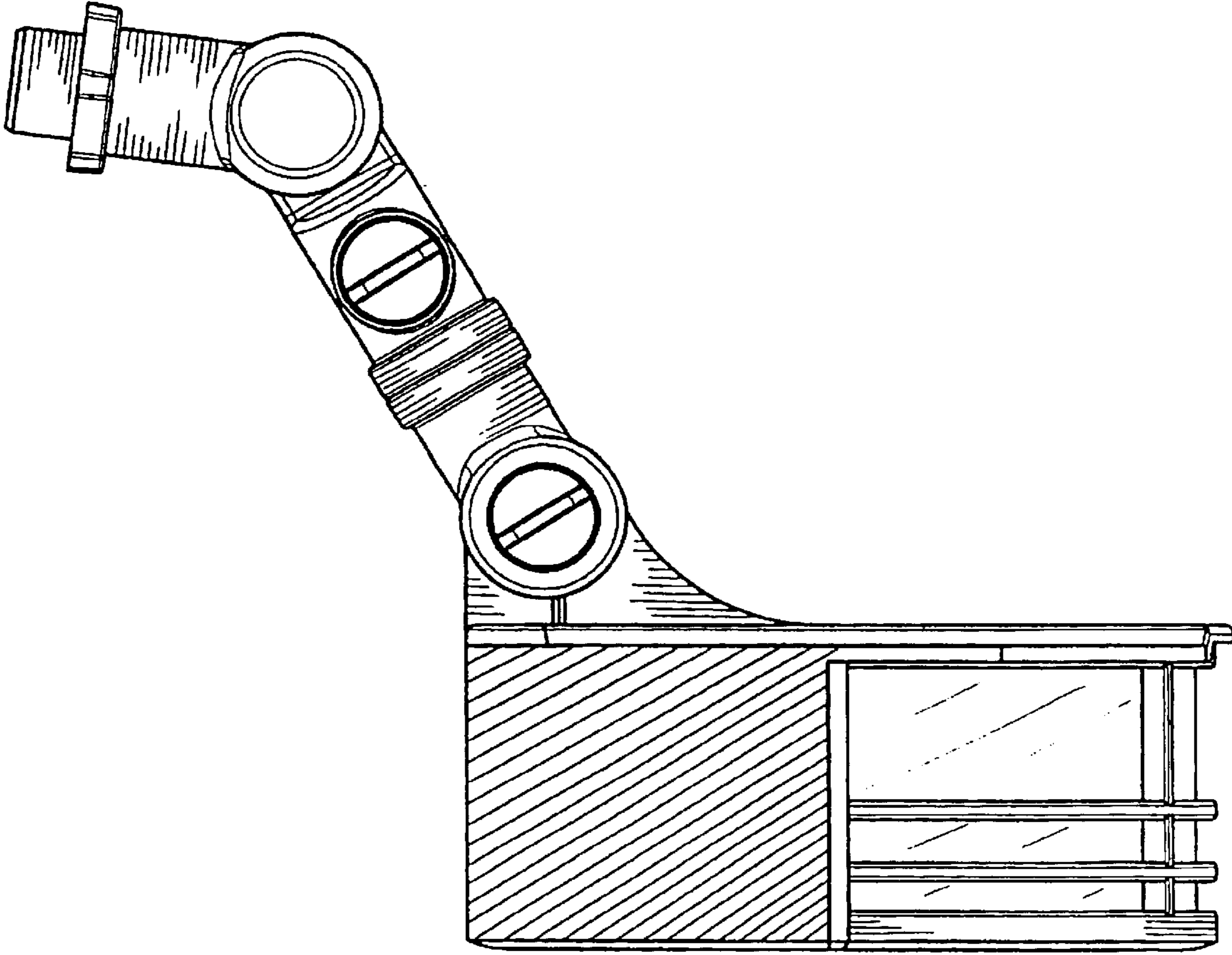


FIG. 6

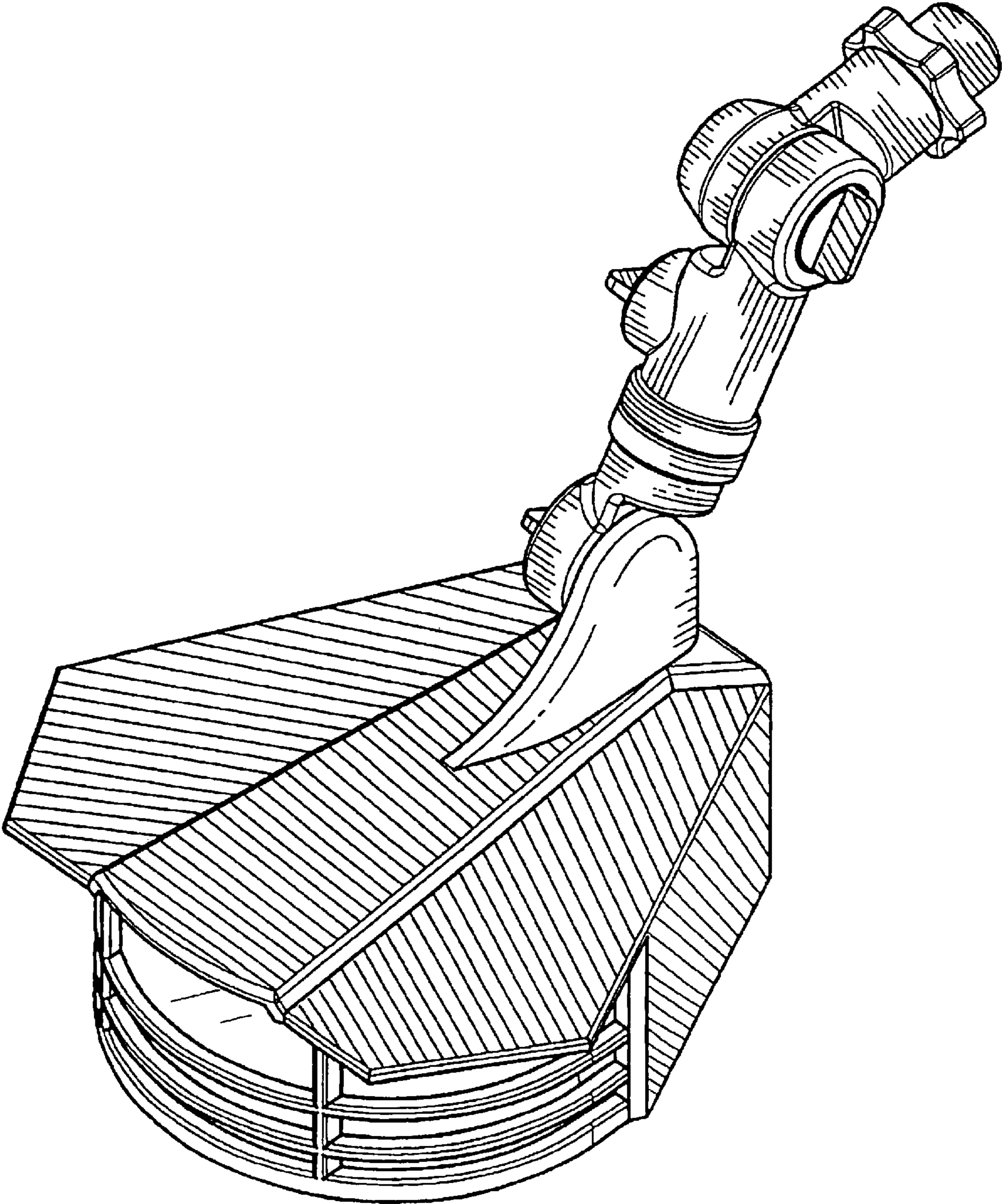


FIG. 7

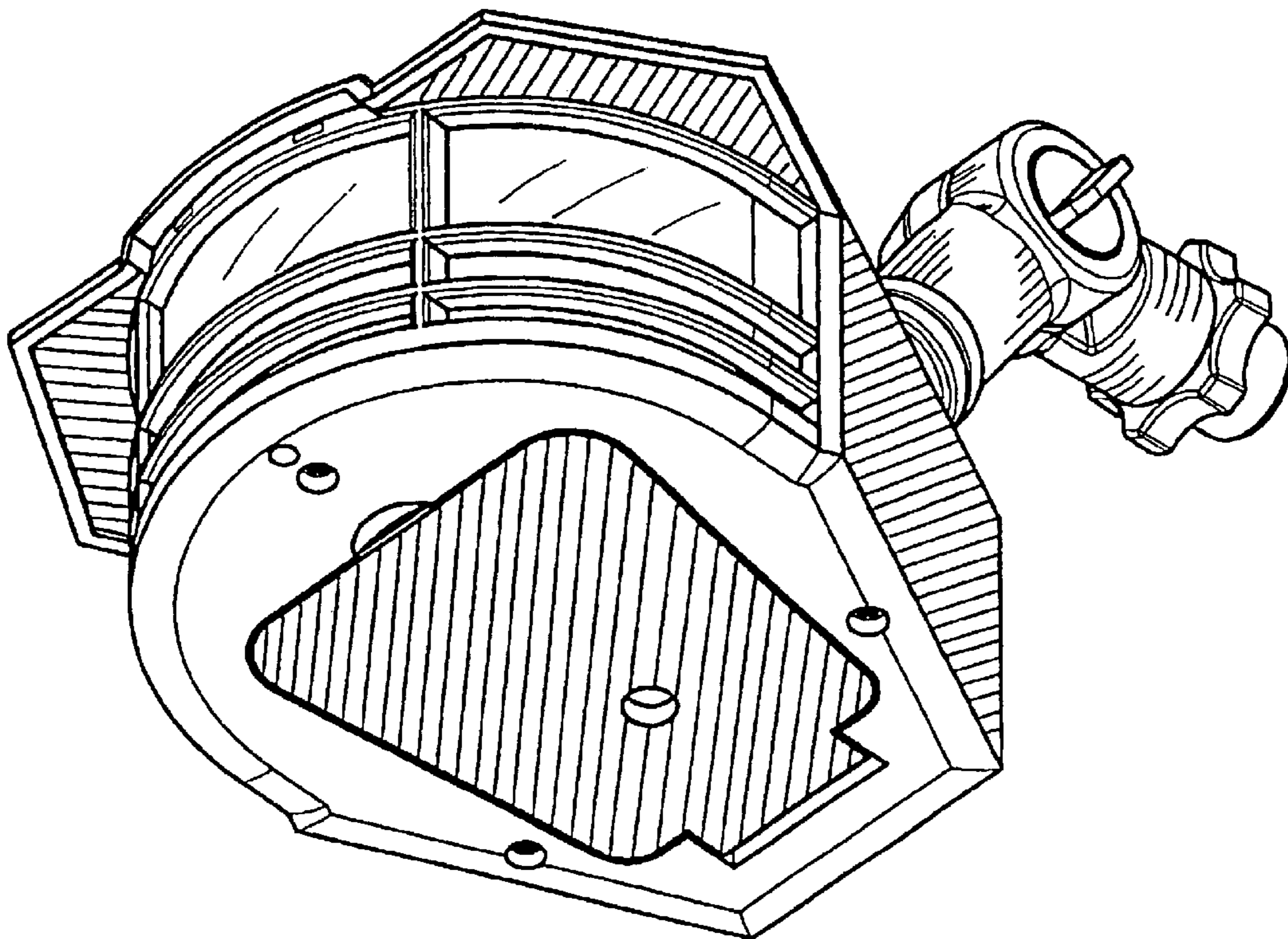


FIG. 8