



US00D506694S

(12) **United States Design Patent**  
**Corney**

(10) **Patent No.:** **US D506,694 S**

(45) **Date of Patent:** **\*\* Jun. 28, 2005**

(54) **THEFT DETERRENT STRAP**

(76) **Inventor:** **Richard E. Corney**, 4894 Provencs Rd.,  
Akron, OH (US) 44319

(\*\*) **Term:** **14 Years**

(21) **Appl. No.:** **29/188,329**

(22) **Filed:** **Aug. 14, 2003**

(Under 37 CFR 1.47)

(51) **LOC (8) Cl.** ..... **10-05**

(52) **U.S. Cl.** ..... **D10/104**

(58) **Field of Search** ..... D10/104, 106,  
D10/116; 340/571, 572.7, 572.9, 573.4;  
70/57.1; 24/704.1

(56) **References Cited**

**U.S. PATENT DOCUMENTS**

2,125,052	A	7/1938	Ranson	
3,712,655	A	1/1973	Fuehrer	
4,023,157	A	5/1977	Miller	
4,059,299	A	11/1977	Huntley	
4,502,305	A	3/1985	Bakker	
5,079,540	A	1/1992	Narlow et al.	
5,123,686	A	6/1992	Wenk	
D328,570	S *	8/1992	Speer, Jr. ....	D10/106
5,437,172	A	8/1995	Lamy et al.	
5,524,463	A	6/1996	Schenkel et al.	
5,602,530	A	2/1997	Holmgren	
5,969,613	A	10/1999	Yeager et al.	
6,044,669	A *	4/2000	Levi .....	70/18
6,188,320	B1	2/2001	Kolton et al.	
6,226,839	B1	5/2001	Sayegh	
6,326,890	B1	12/2001	Costa	
D492,215	S *	6/2004	Lu .....	D10/104
D493,739	S *	8/2004	Copen .....	D10/104

\* cited by examiner

*Primary Examiner*—Antoine Duval Davis

*Assistant Examiner*—Sydney R. Buffalow

(74) *Attorney, Agent, or Firm*—Sand & Sebolt

(57) **CLAIM**

The ornamental design for the theft deterrent strap, as shown and described.

**DESCRIPTION**

FIG. 1 is a perspective view of a first embodiment of the theft deterrent strap showing my new design.

FIG. 2 is a top plan view of FIG. 1.

FIG. 3 is a bottom plan view of FIG. 1.

FIG. 4 is a front elevation view of FIG. 1.

FIG. 5 is a rear elevation view of FIG. 1.

FIG. 6 is a right side elevation view of FIG. 1.

FIG. 7 is a left side elevation view of FIG. 1.

FIG. 8 is a perspective view of a second embodiment of the theft deterrent strap showing my new design.

FIG. 9 is a top plan view of FIG. 8.

FIG. 10 is a bottom plan view of FIG. 8.

FIG. 11 is a front elevation view of FIG. 8.

FIG. 12 is a rear elevation view of FIG. 8.

FIG. 13 is a right side elevation view of FIG. 8.

FIG. 14 is a left side elevation view of FIG. 8.

FIG. 15 is a perspective view of a third embodiment of the theft deterrent strap showing my new design.

FIG. 16 is a top plan view of FIG. 15.

FIG. 17 is a bottom plan view of FIG. 15.

FIG. 18 is a front elevation view of FIG. 15.

FIG. 19 is a rear elevation view of FIG. 15.

FIG. 20 is a right side elevation view of FIG. 15; and,

FIG. 21 is a left side elevation view of FIG. 15.

**1 Claim, 6 Drawing Sheets**

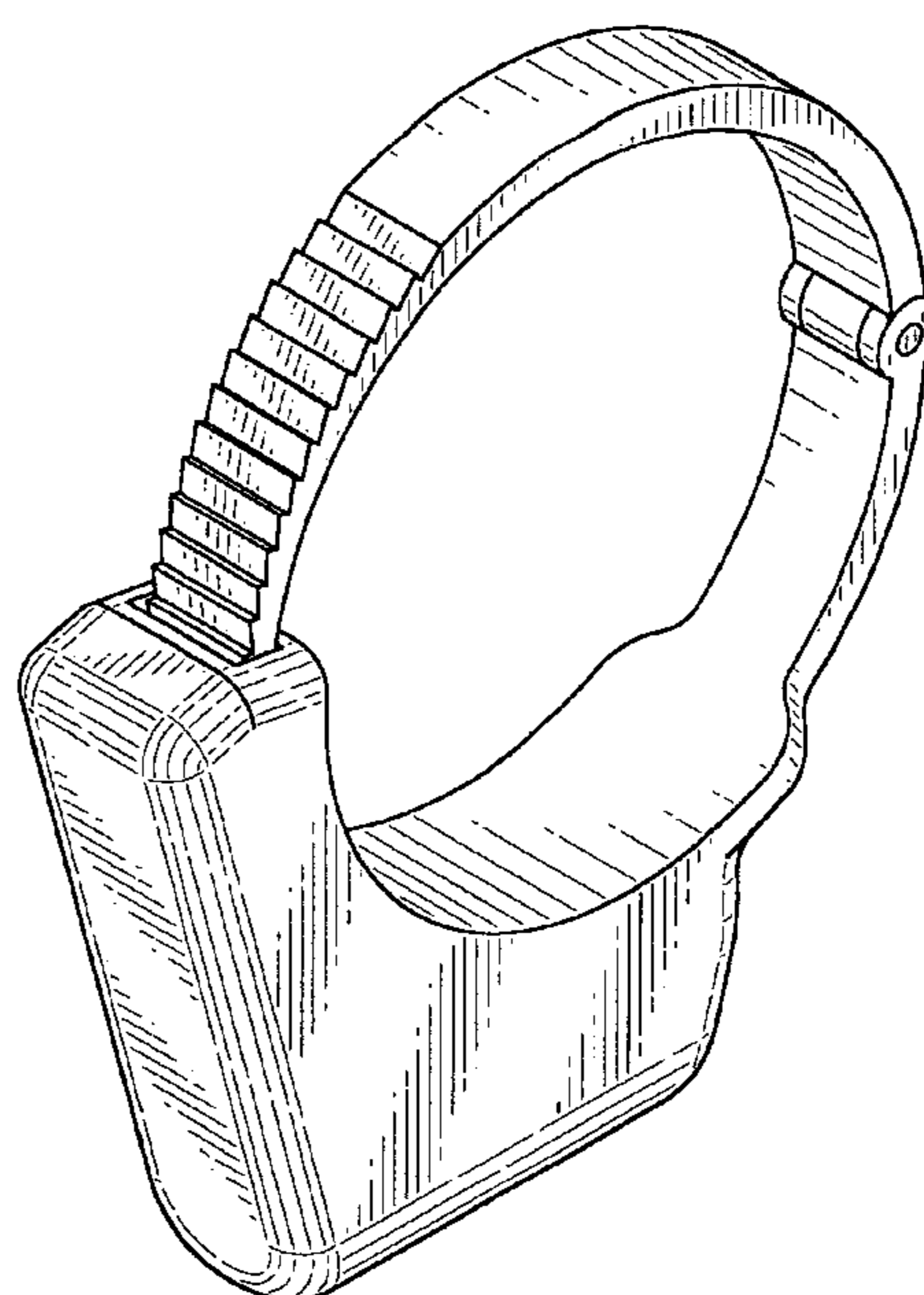
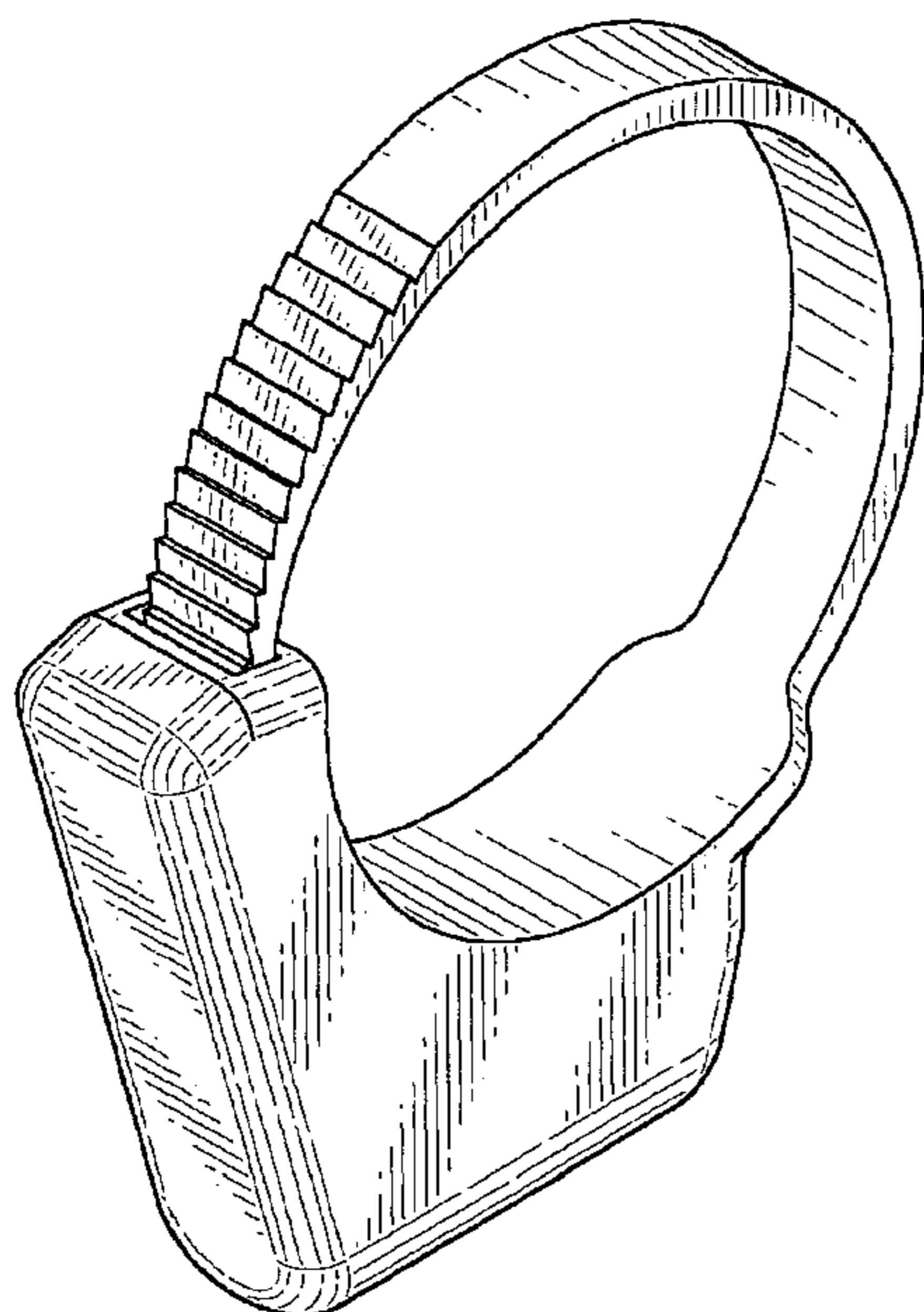


FIG-1

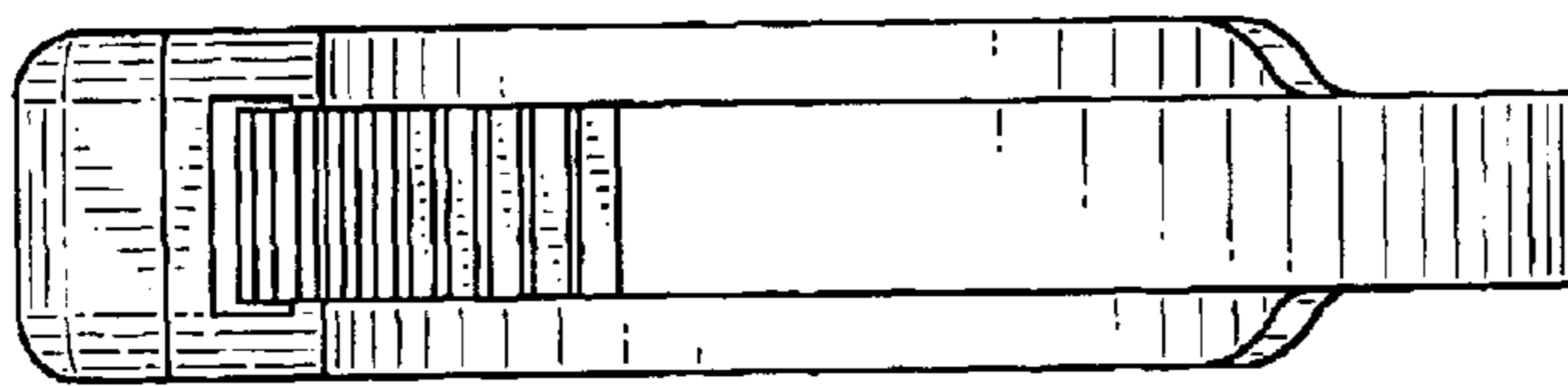
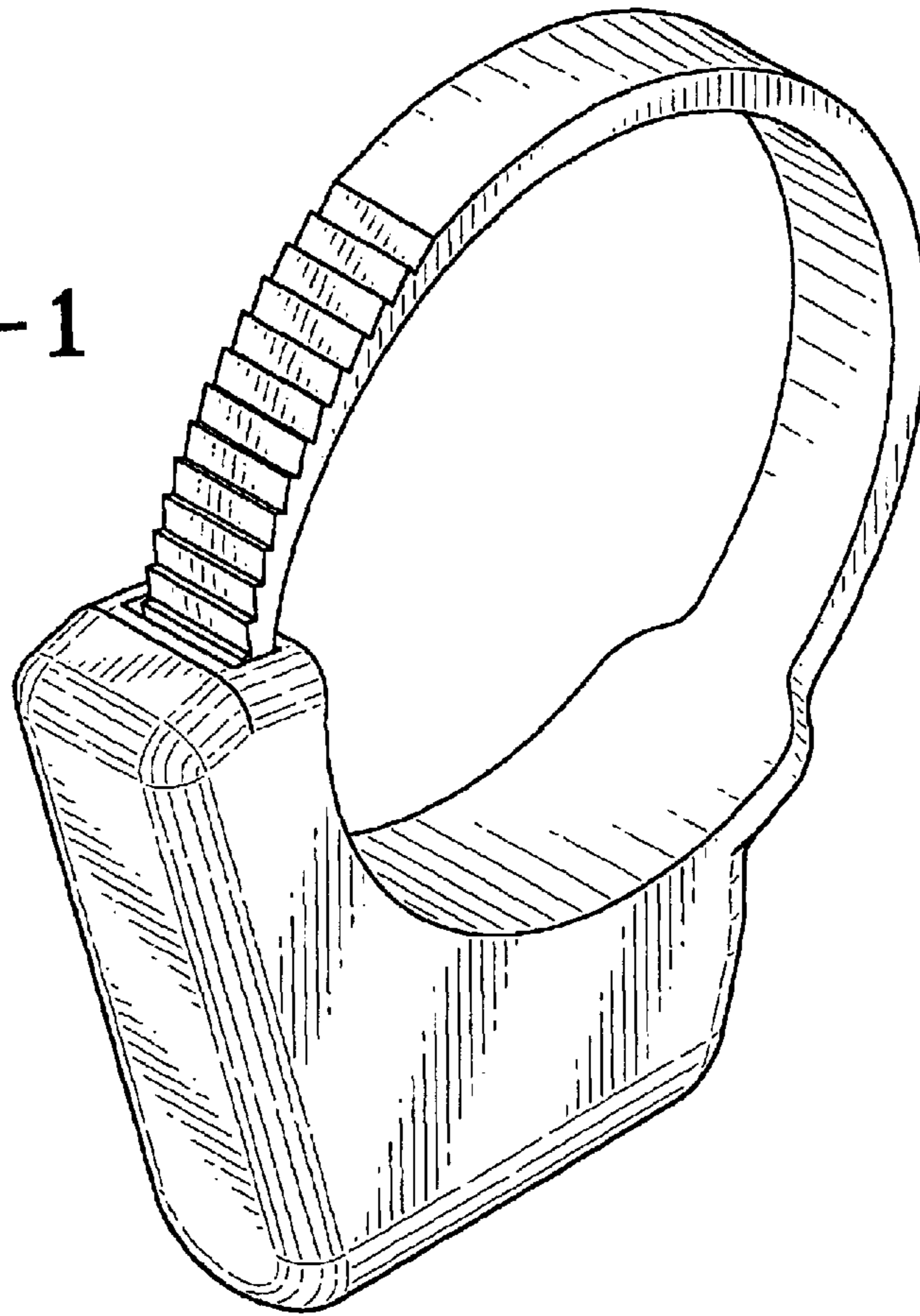


FIG-2

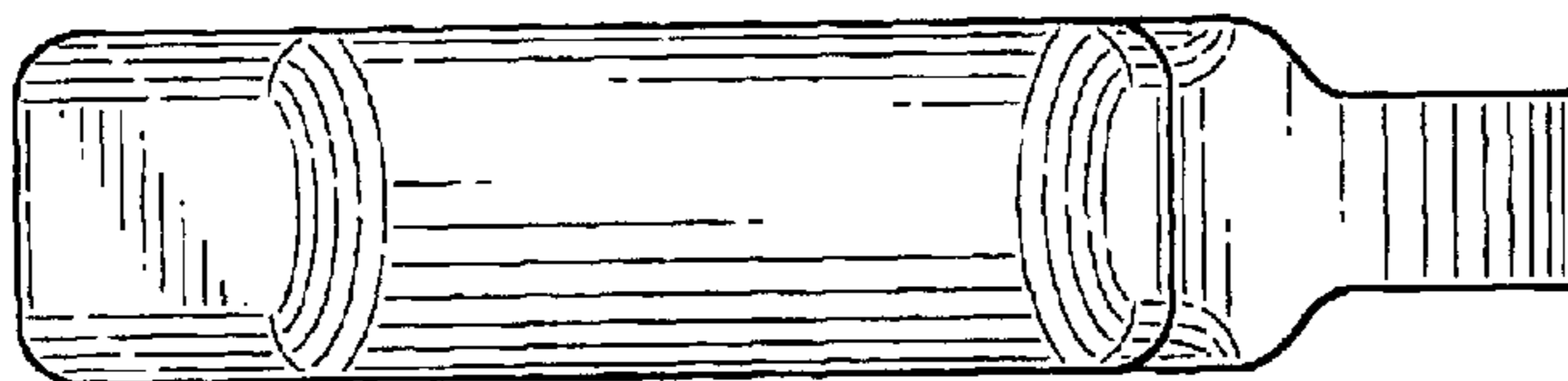


FIG-3

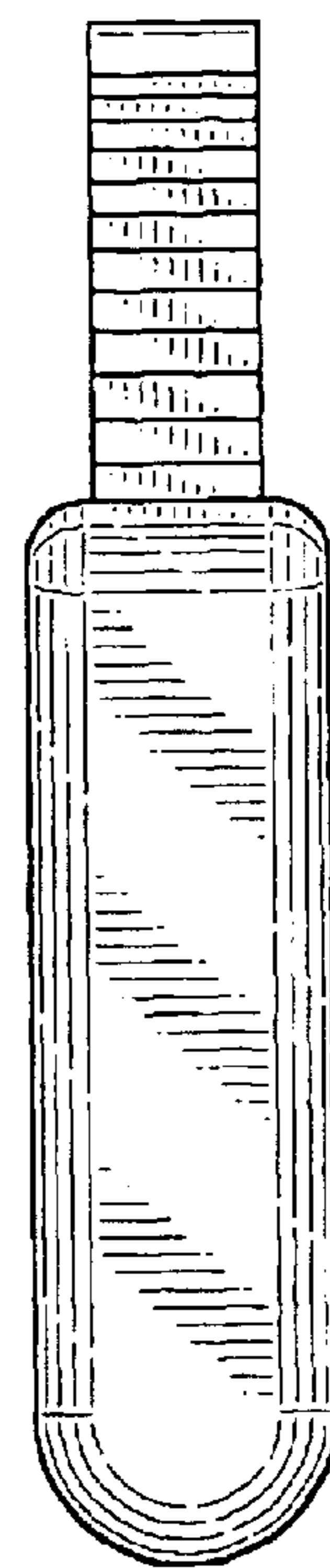


FIG-4

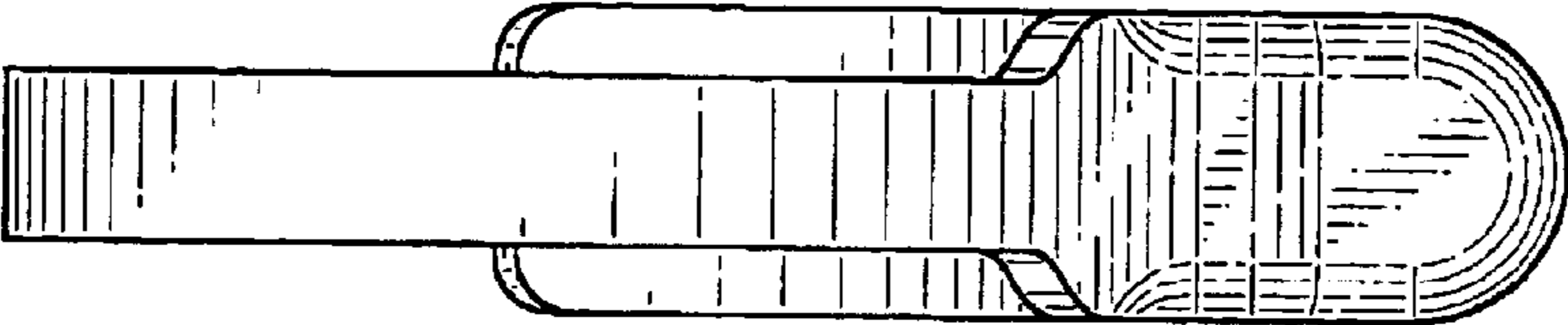


FIG-5

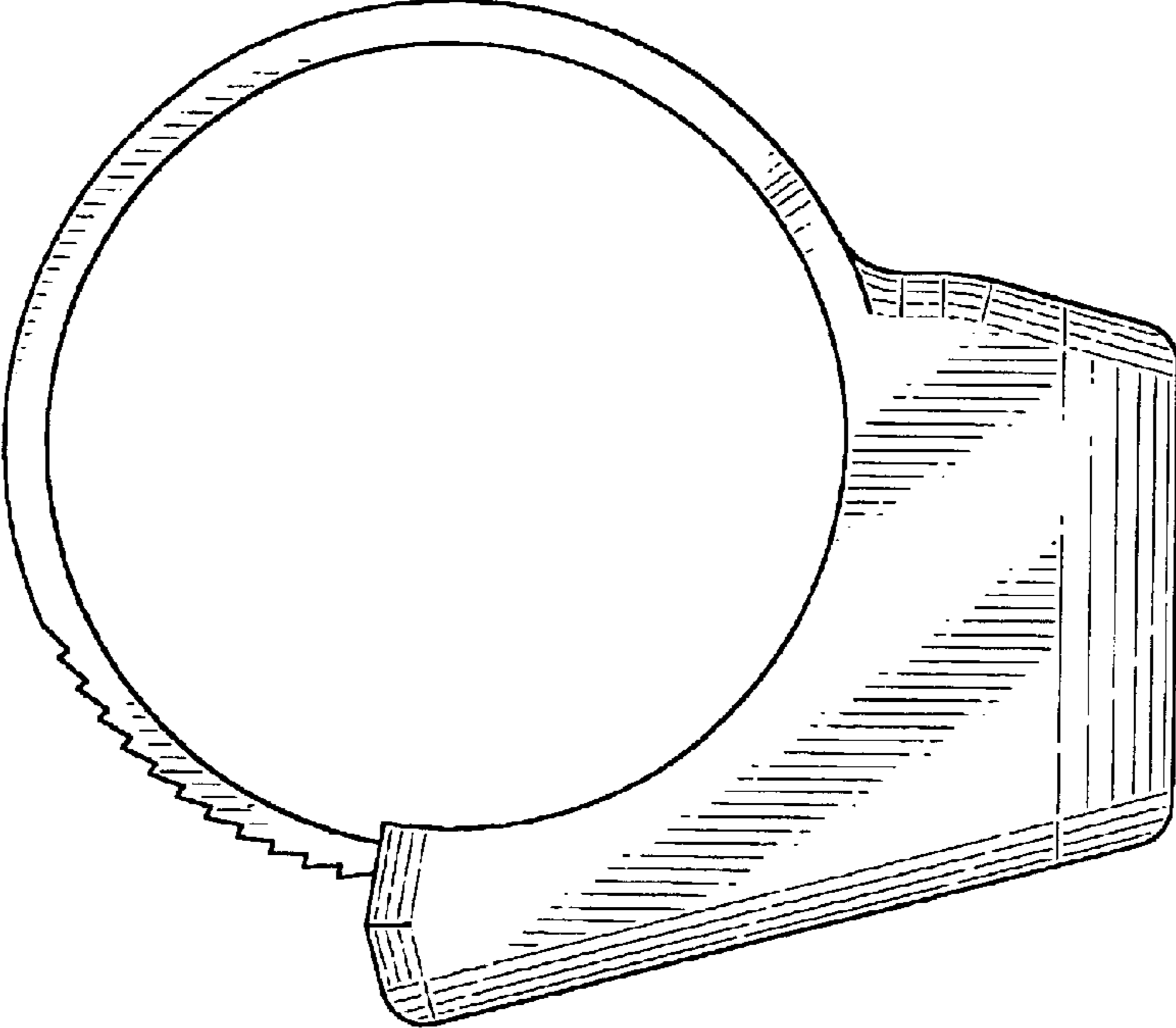


FIG-6

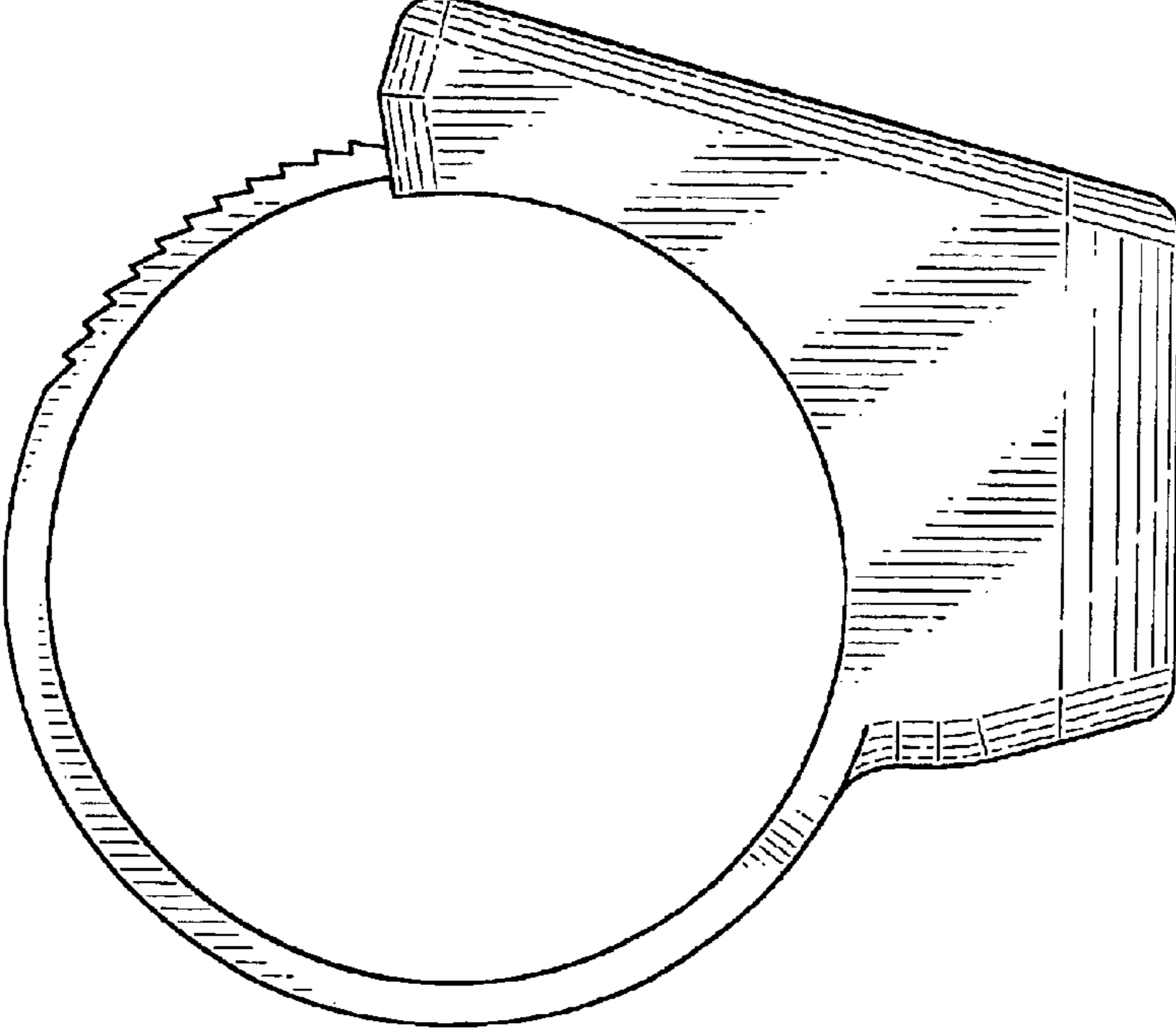


FIG-7



FIG-8

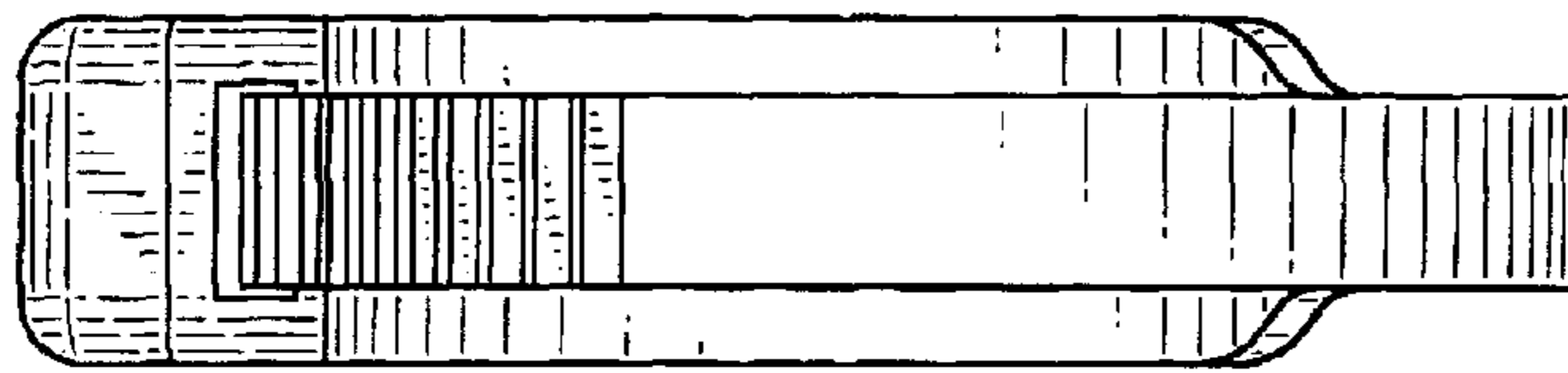
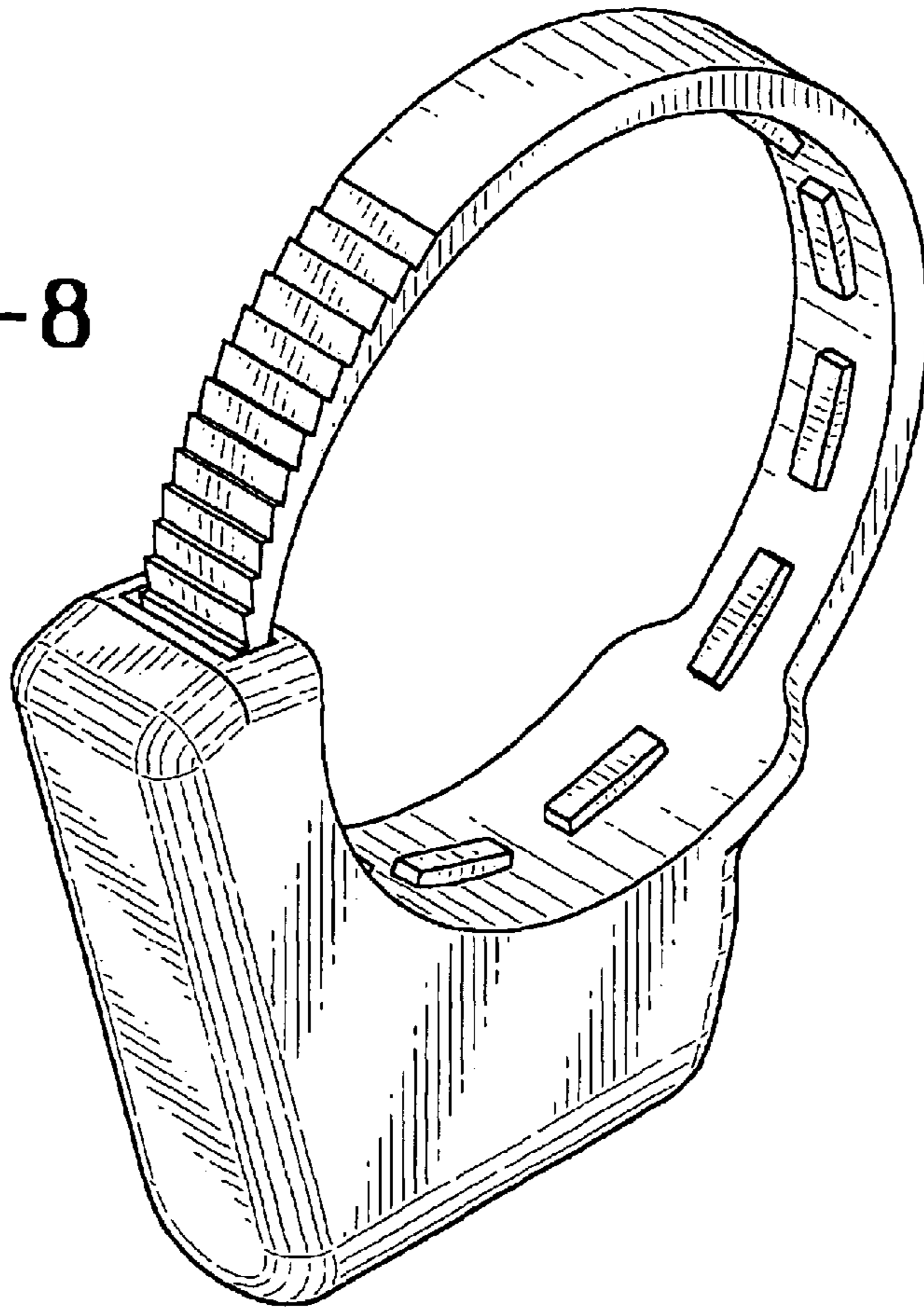


FIG-9

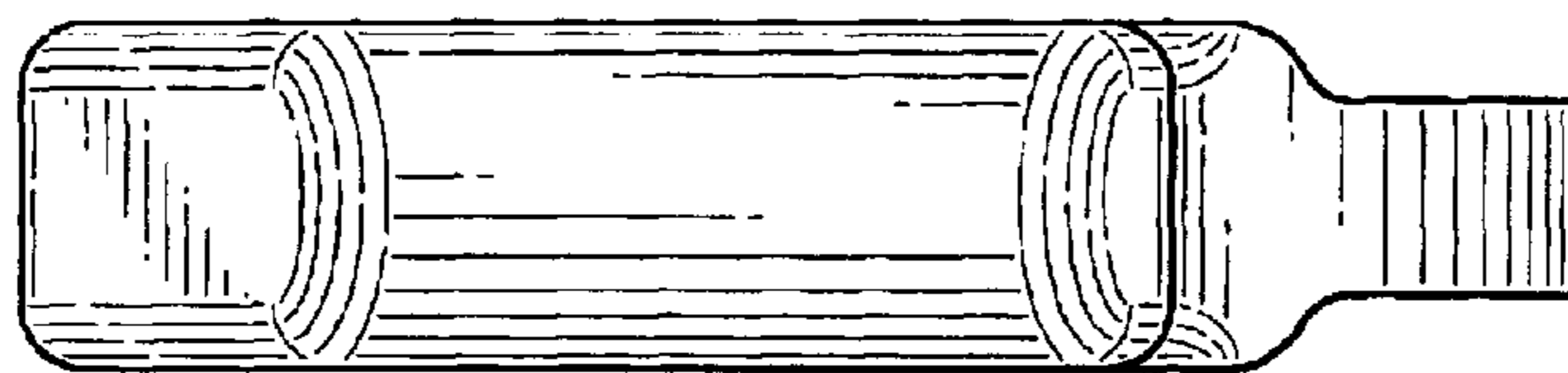


FIG-10

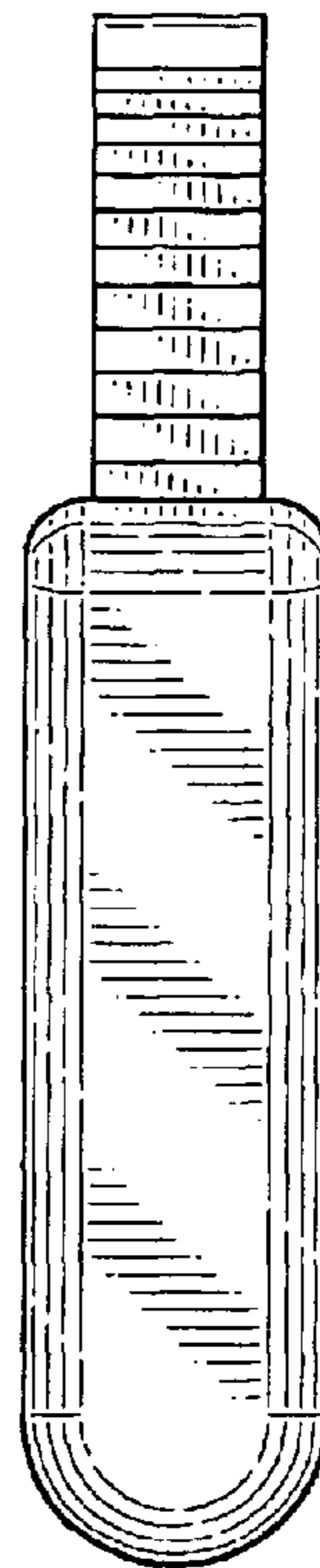


FIG-11

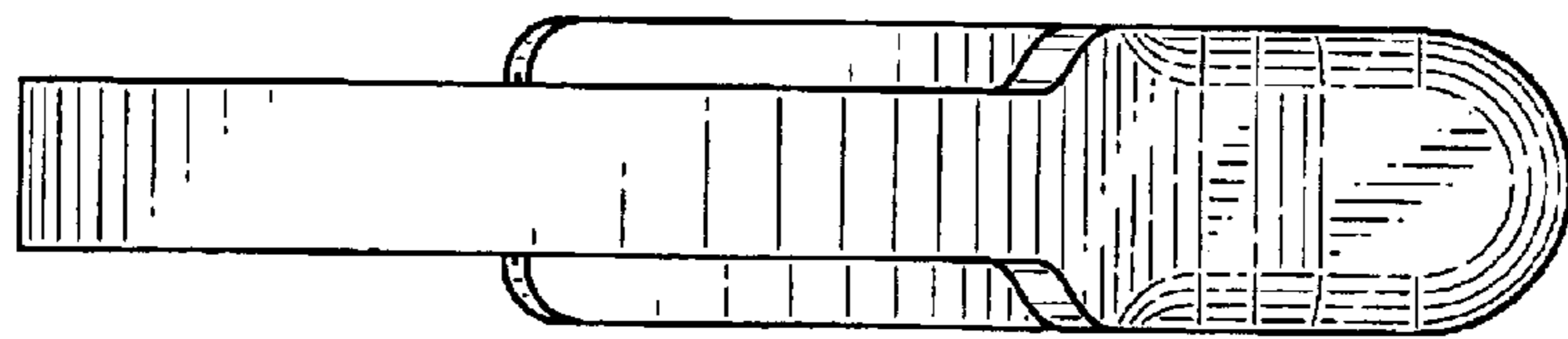


FIG-12

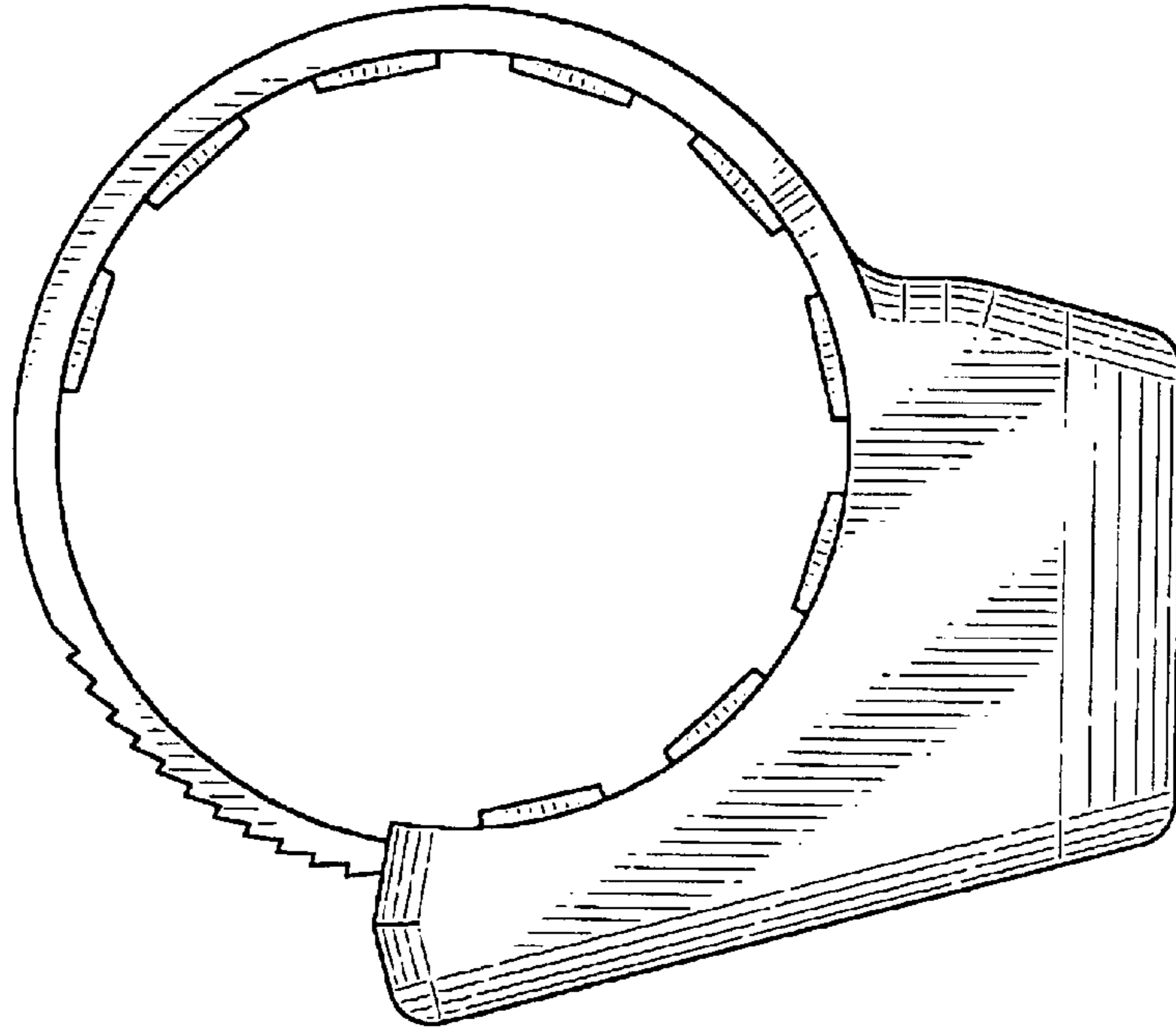


FIG-13

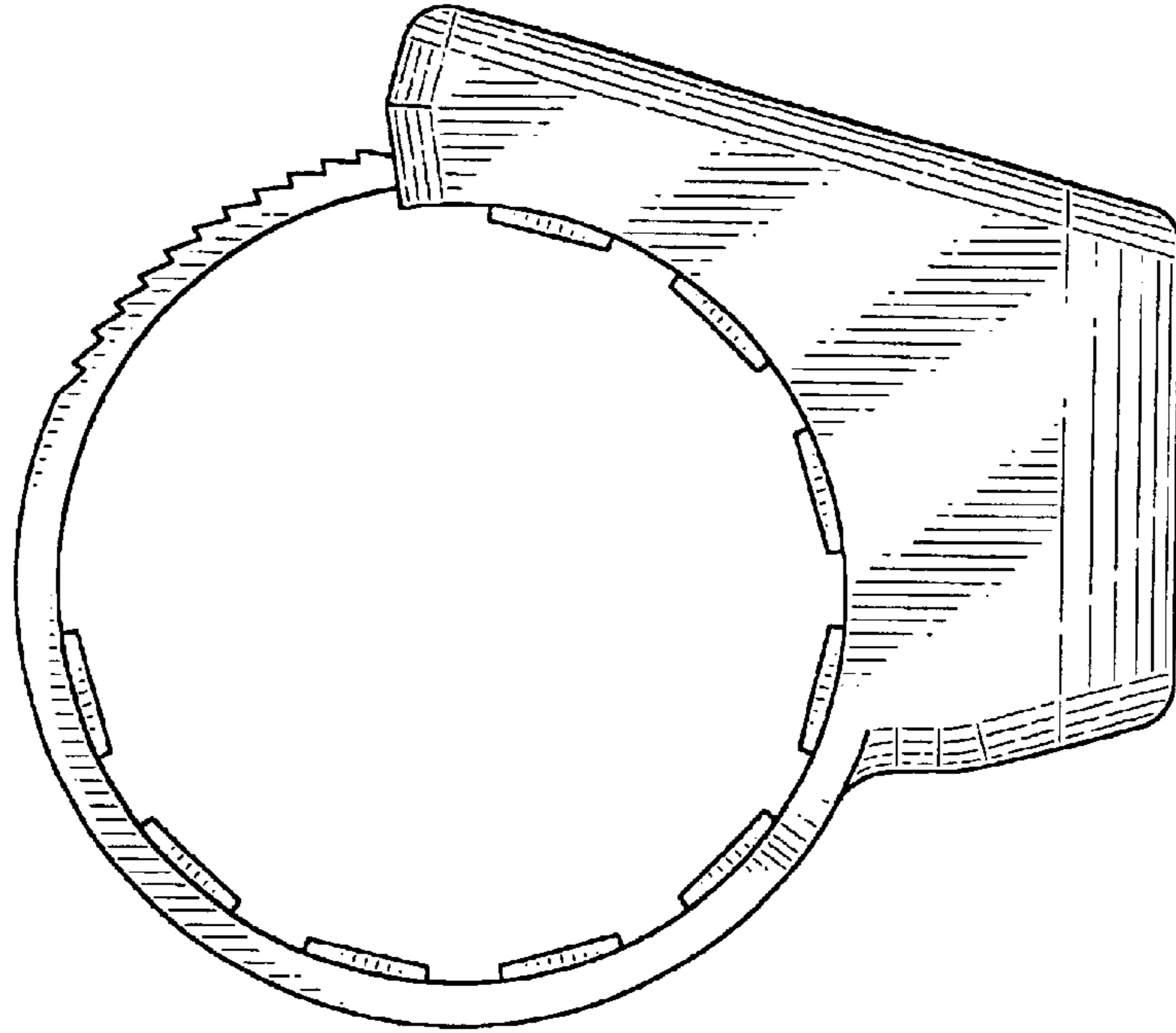


FIG-14

FIG-15

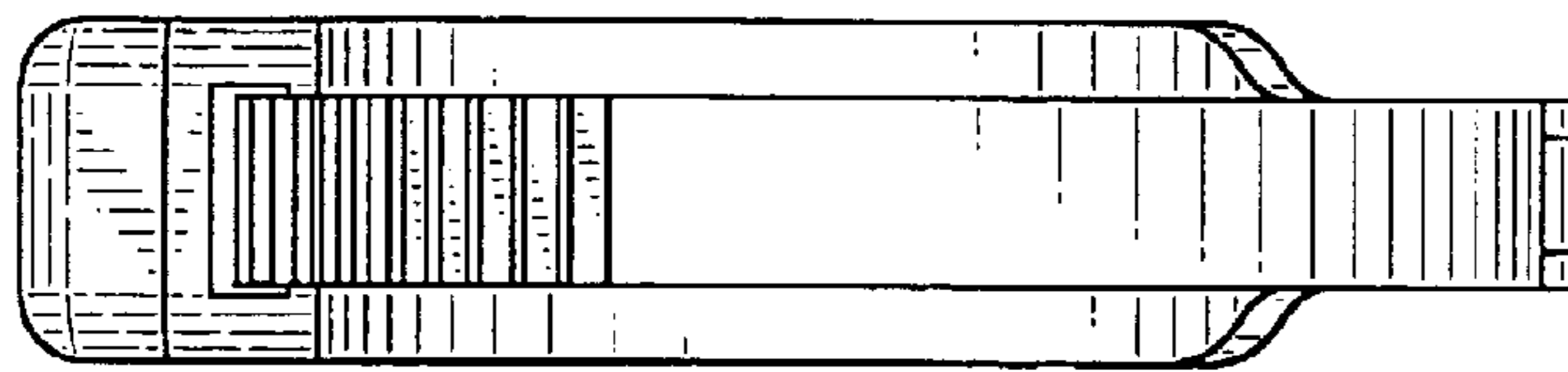
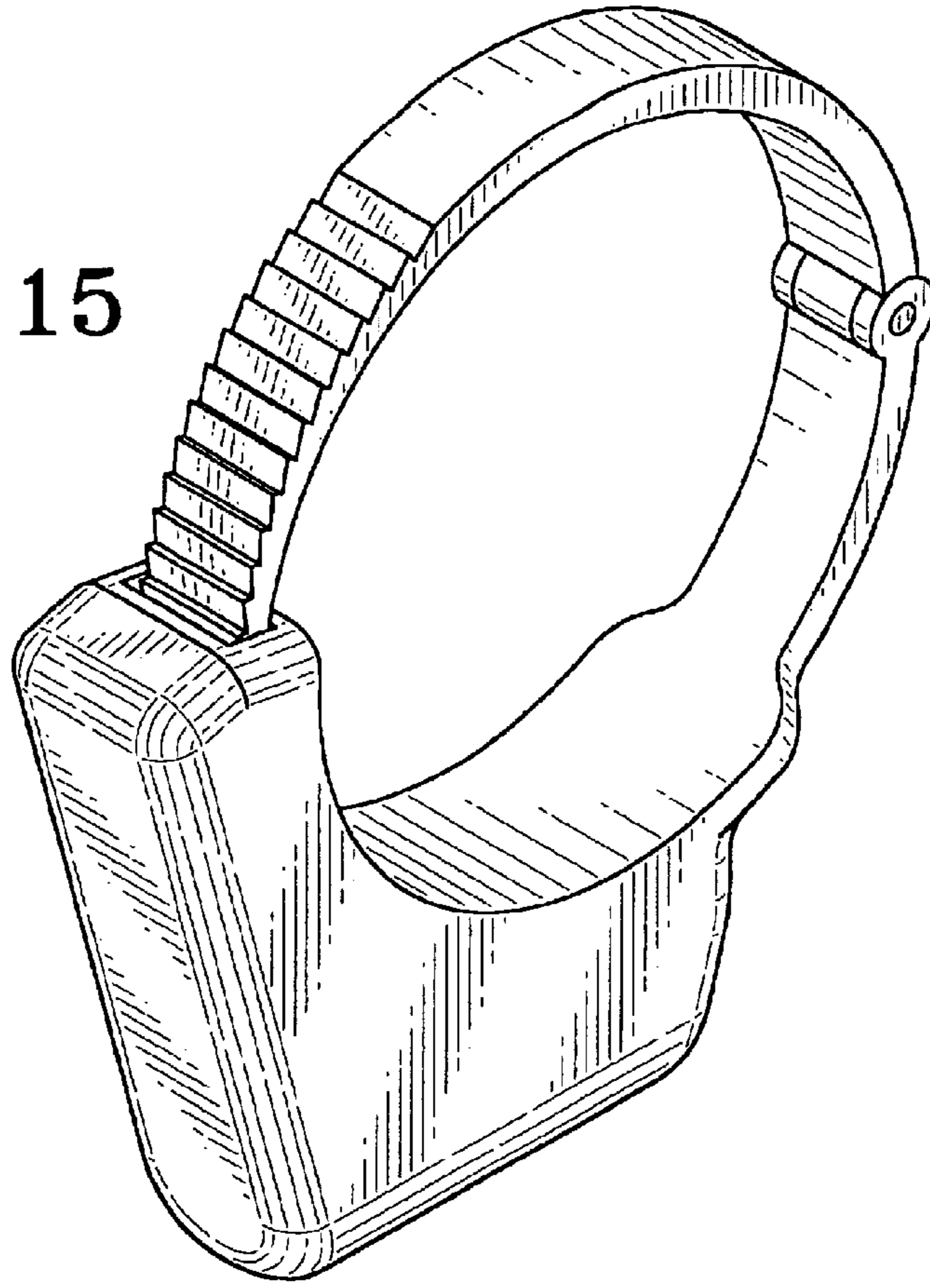


FIG-16

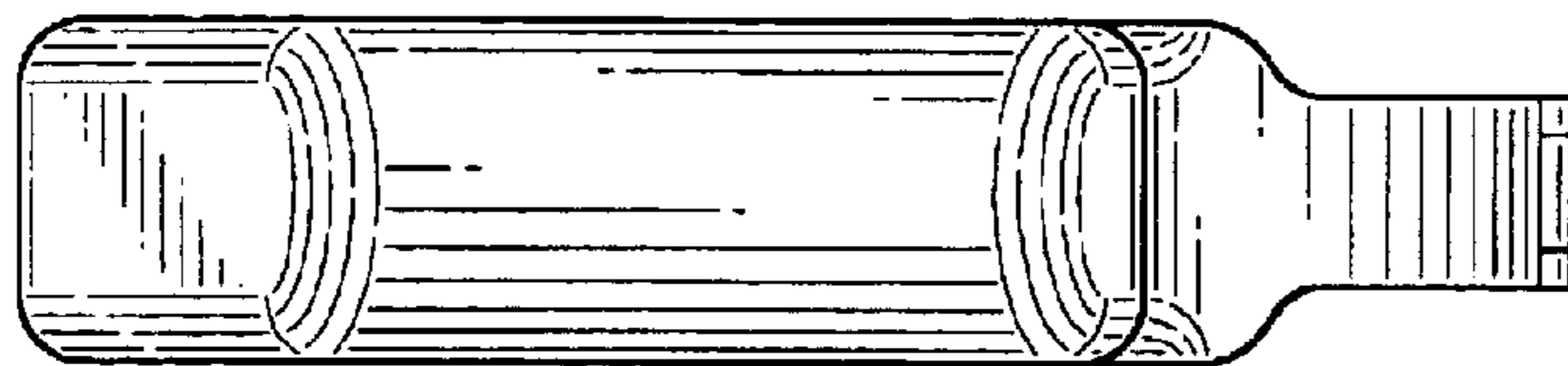


FIG-17

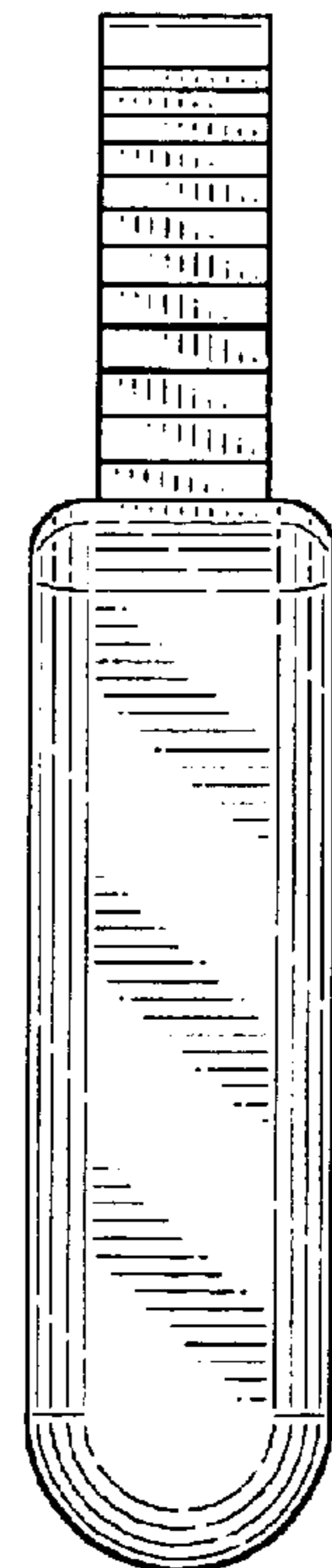


FIG-18

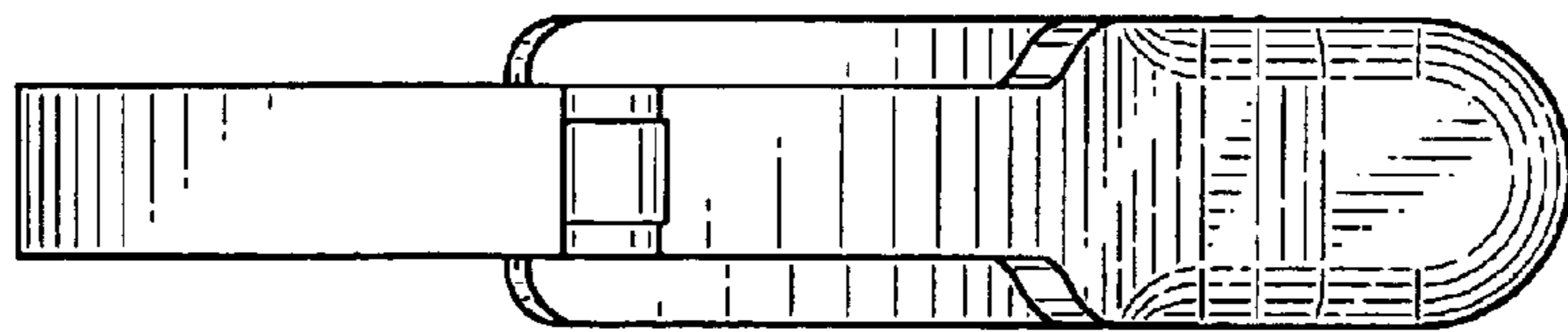


FIG-19

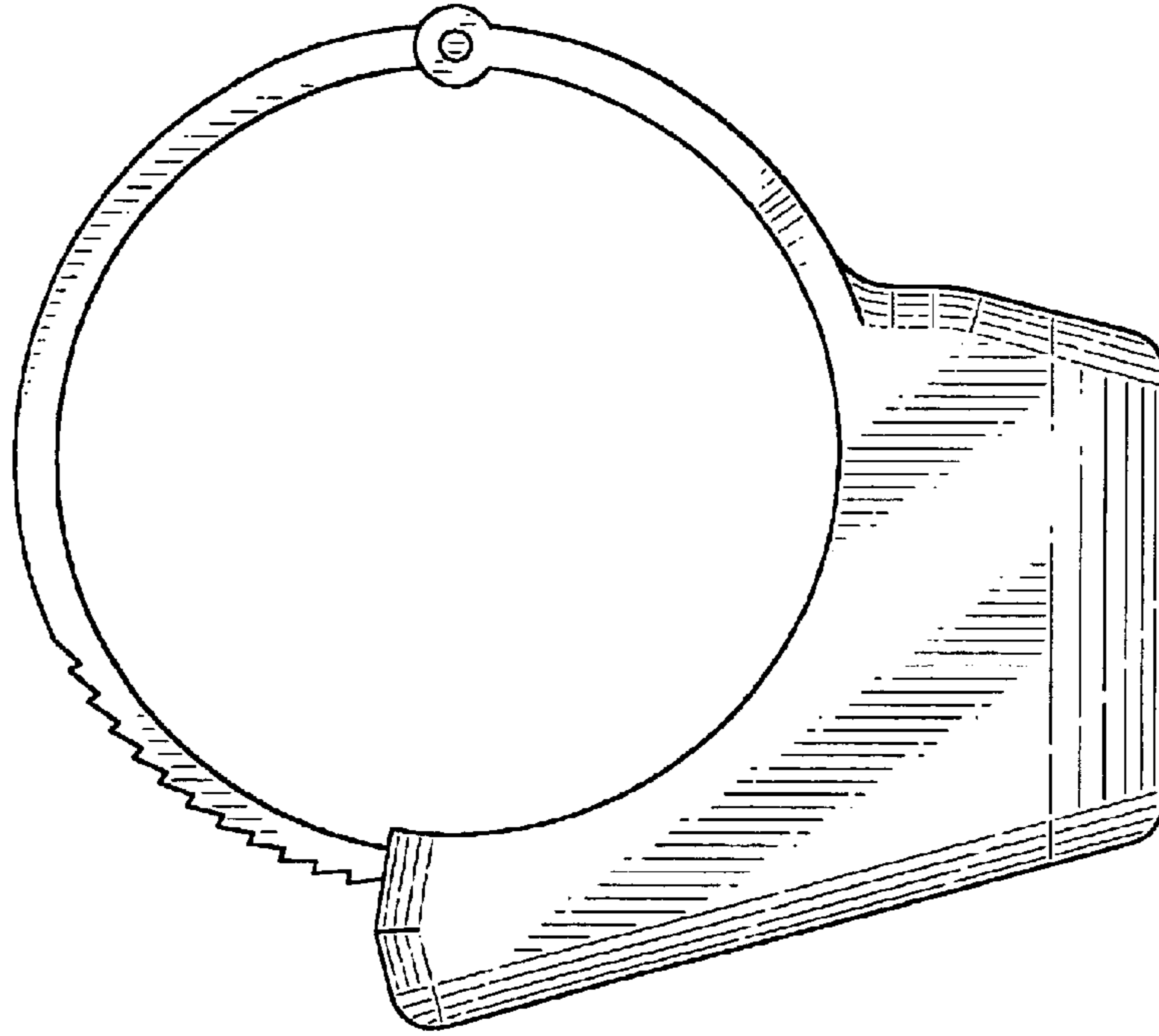


FIG-20

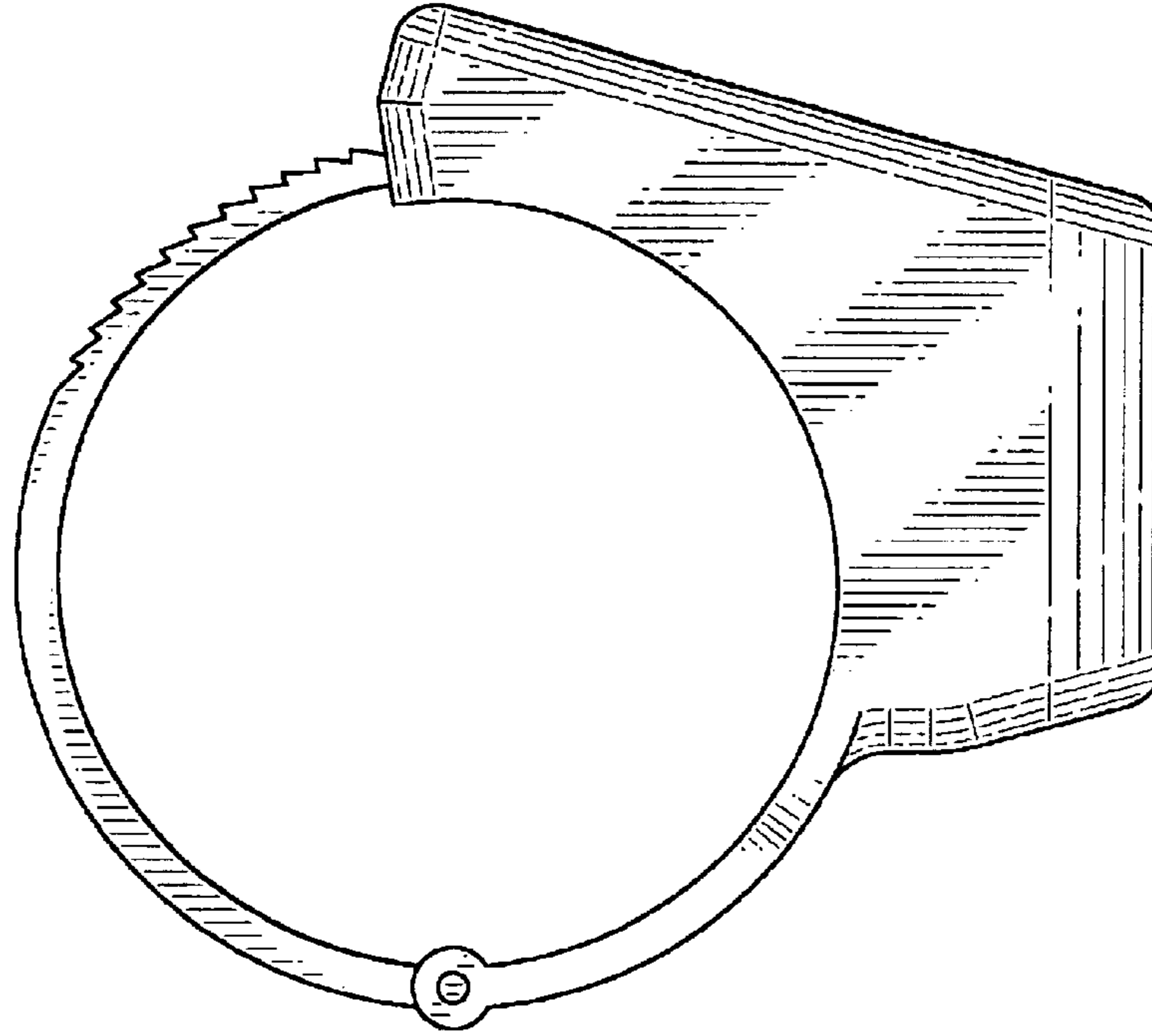


FIG-21