

US00D506693S

(12) **United States Design Patent**  
**Kaczmarek**

(10) **Patent No.:** **US D506,693 S**  
(45) **Date of Patent:** **\*\* Jun. 28, 2005**

(54) **REMOTE INDICATOR**  
(75) **Inventor:** **Wolfgang Kaczmarek, Schwindegg (DE)**  
(73) **Assignee:** **BSH Bosch und Siemens Hausgeräte GmbH, Munich (DE)**  
(\*\*) **Term:** **14 Years**

(21) **Appl. No.:** **29/183,253**  
(22) **Filed:** **Jun. 9, 2003**

(51) **LOC (8) Cl.** ..... **10-05**  
(52) **U.S. Cl.** ..... **D10/104; D10/40; D20/20; D26/26**

(58) **Field of Search** ..... D10/30-39, 40, D10/102-104; 368/280-282, 276-277, 285, 293-294, 10, 99-121; D20/20; D26/26; 340/679, 660, 533, 539.14, 585, 311.2

(56) **References Cited**

**U.S. PATENT DOCUMENTS**

D276,416 S \* 11/1984 Mox ..... D10/40  
D294,180 S \* 2/1988 Johnson et al. .... D26/93  
4,916,439 A \* 4/1990 Estes et al. .... 340/679  
5,089,809 A \* 2/1992 Carmichael, Jr. .... 340/679  
5,680,455 A \* 10/1997 Bogner et al. .... 379/106.01  
D400,450 S \* 11/1998 Cummings et al. .... D10/46

D432,029 S \* 10/2000 Stekelenburg ..... D10/40  
6,157,313 A \* 12/2000 Emmermann ..... 340/5.42  
6,424,252 B1 \* 7/2002 Adler ..... 340/311.2  
D466,418 S \* 12/2002 Kwok ..... D10/5  
D476,240 S \* 6/2003 Kuramochi et al. .... D10/40  
6,784,801 B2 \* 8/2004 Watanabe et al. .... 340/679

\* cited by examiner

*Primary Examiner*—Nelson C. Holtje  
(74) *Attorney, Agent, or Firm*—John T. Winburn; Russell W. Warnock; Craig J. Loest

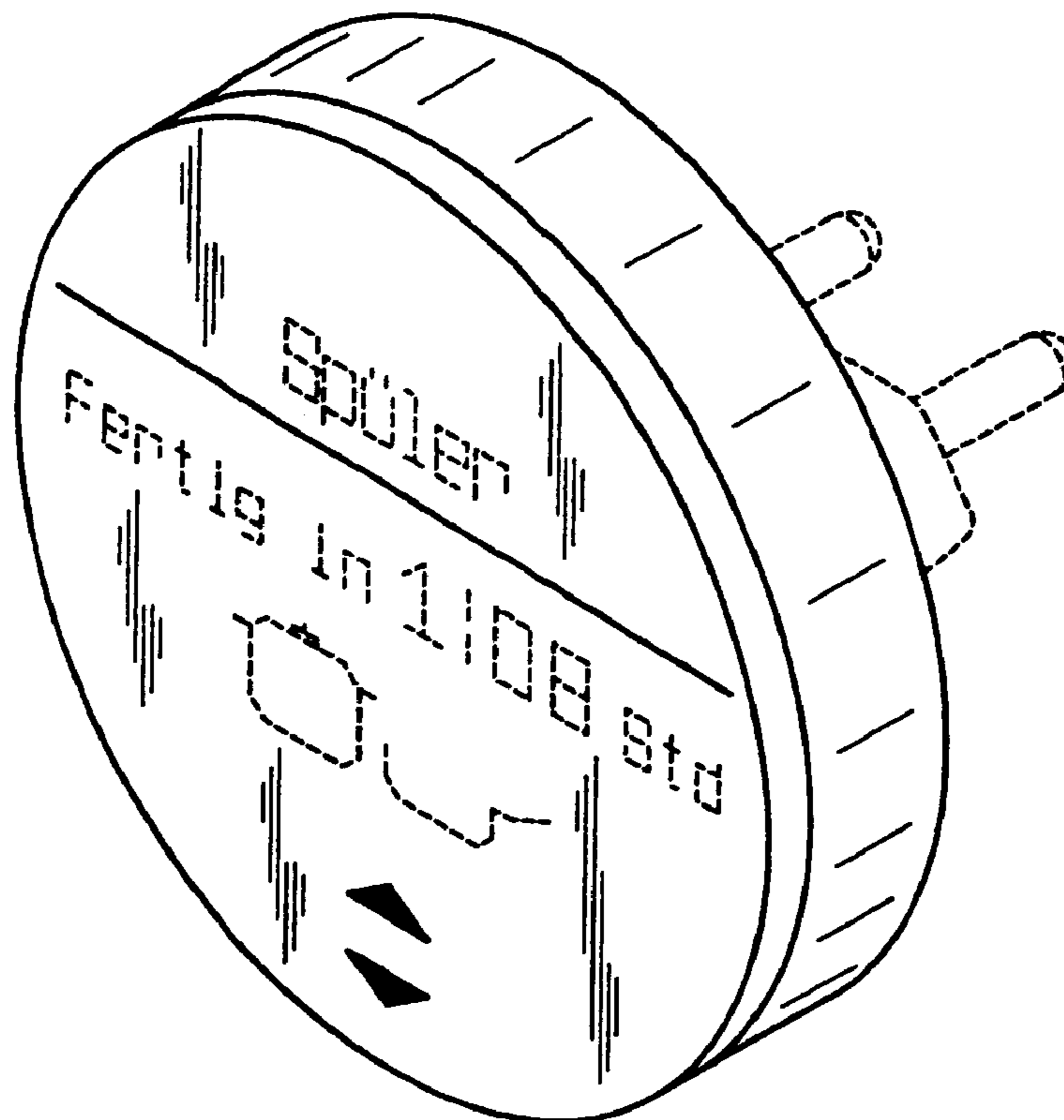
(57) **CLAIM**

The ornamental design for a remote indicator, as shown and described.

**DESCRIPTION**

FIG. 1 is a front perspective view of the remote indicator according to my new design;  
FIG. 2 is a rear perspective view thereof;  
FIG. 3 is a rear side view thereof;  
FIG. 4 is a top side view thereof, the bottom side view being a mirror image; and,  
FIG. 5 is a left side view thereof, the right side view being a mirror image.  
The broken line showing of indicia and plug ends are for illustrative purposes only and form no part of the claimed design.

**1 Claim, 2 Drawing Sheets**



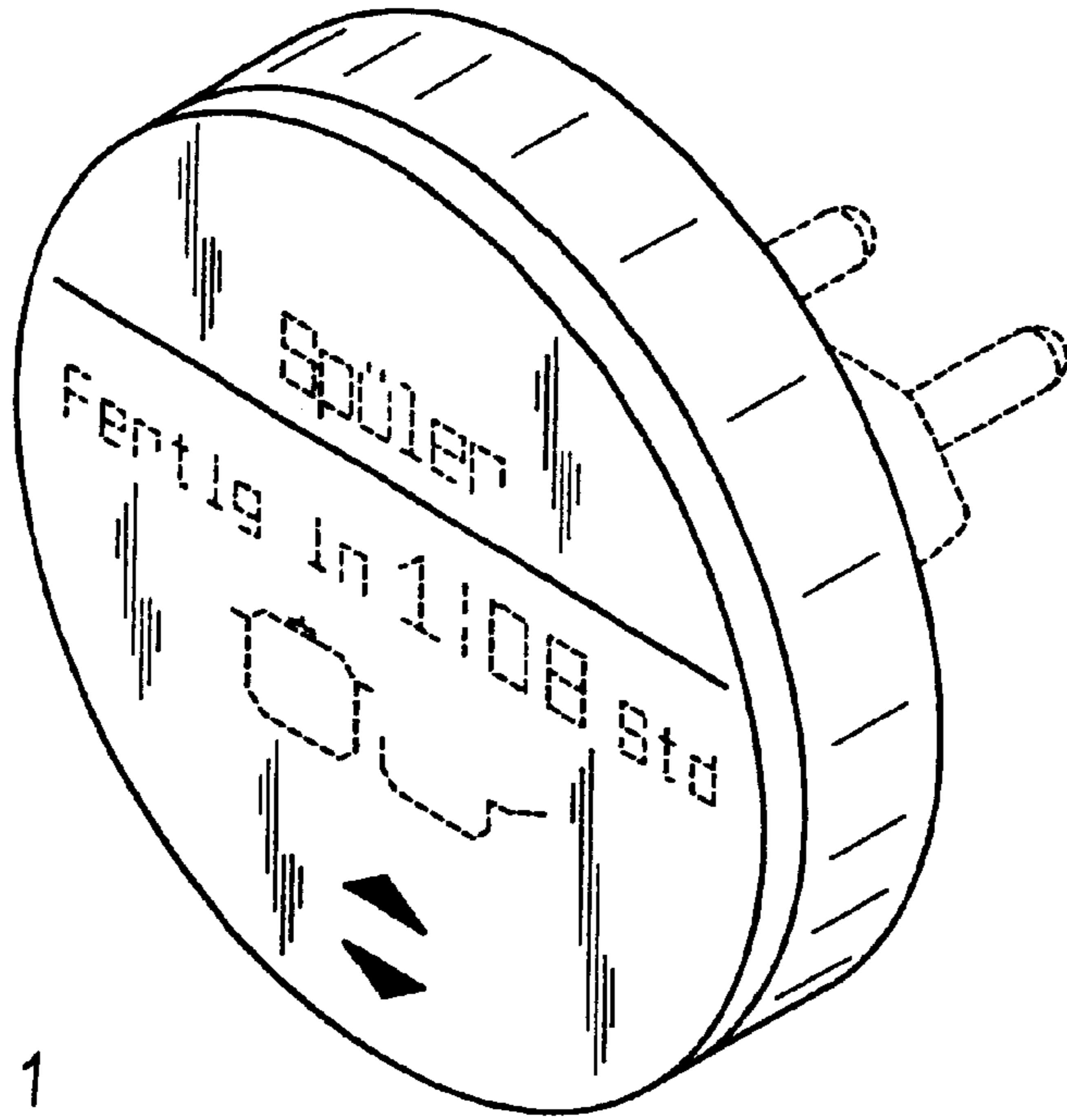


Fig. 1

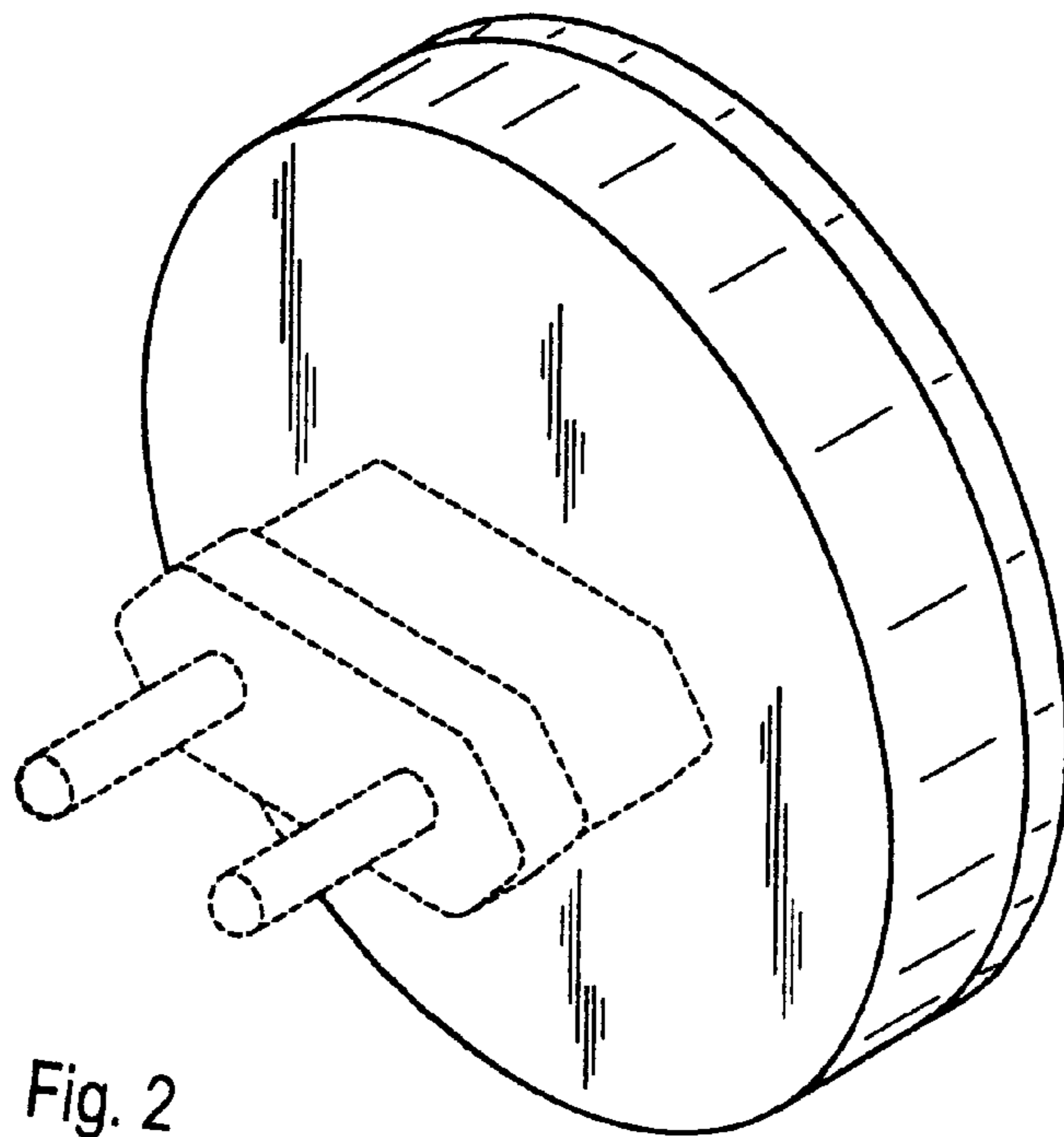


Fig. 2

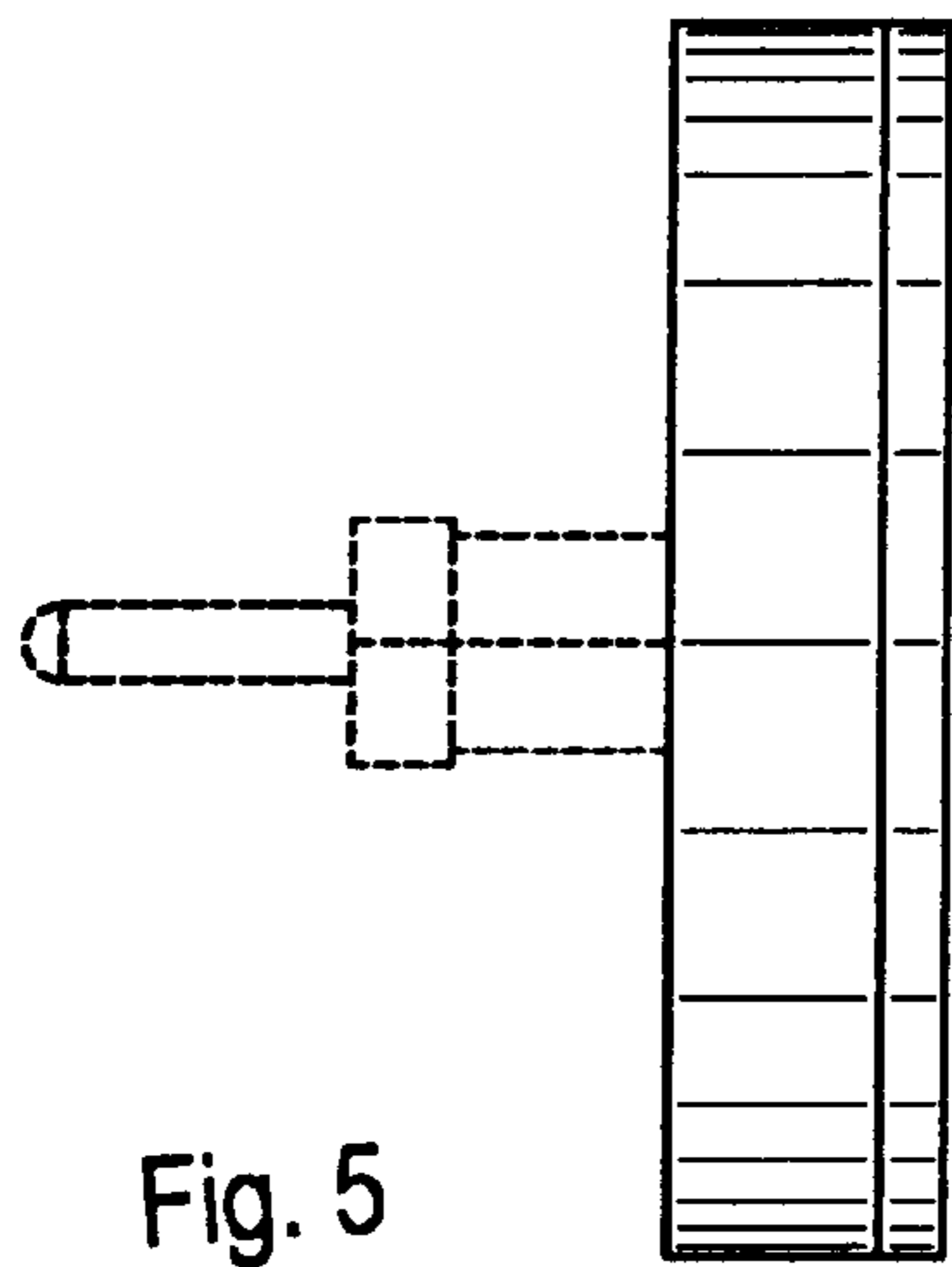


Fig. 5

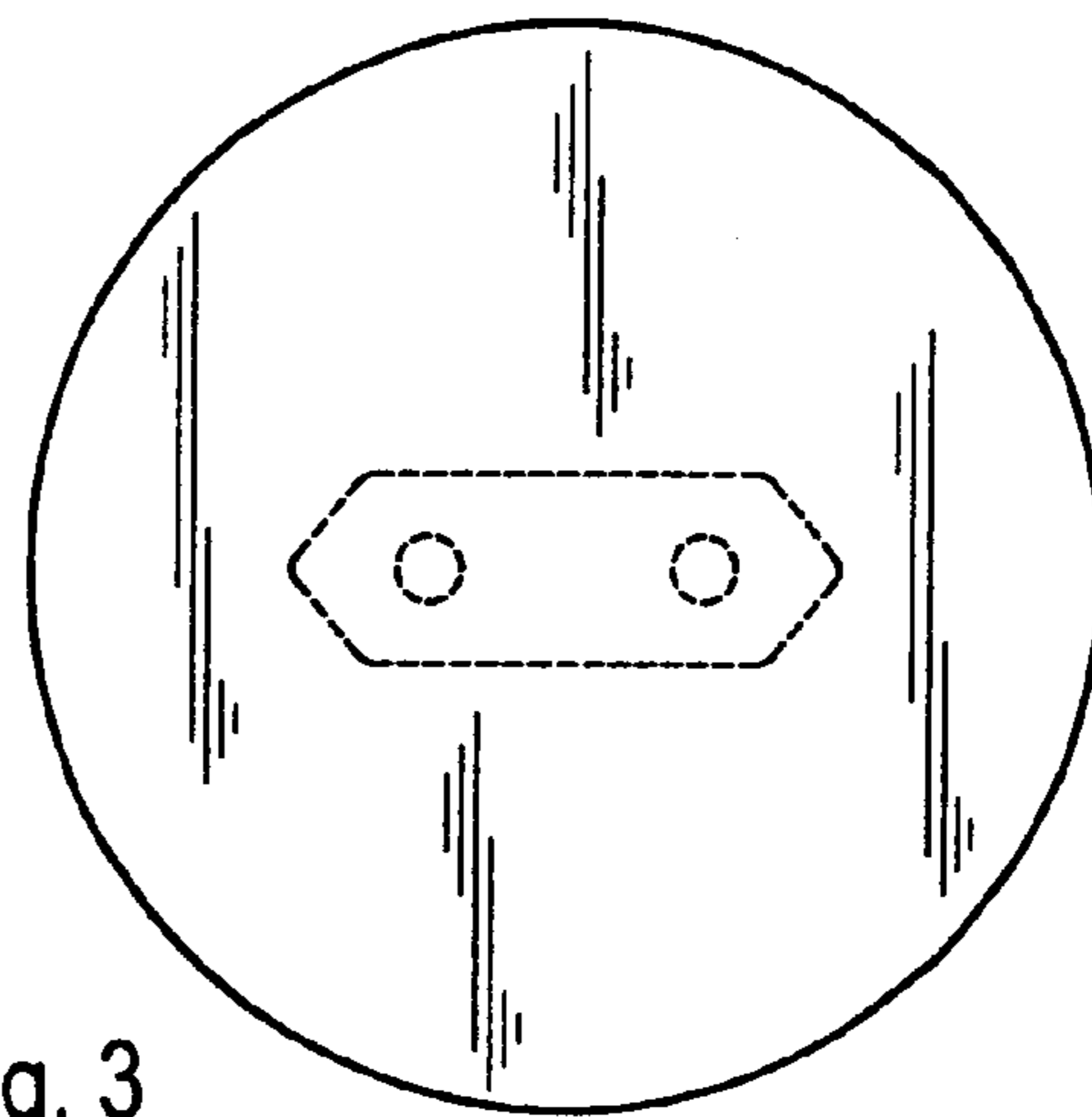


Fig. 3

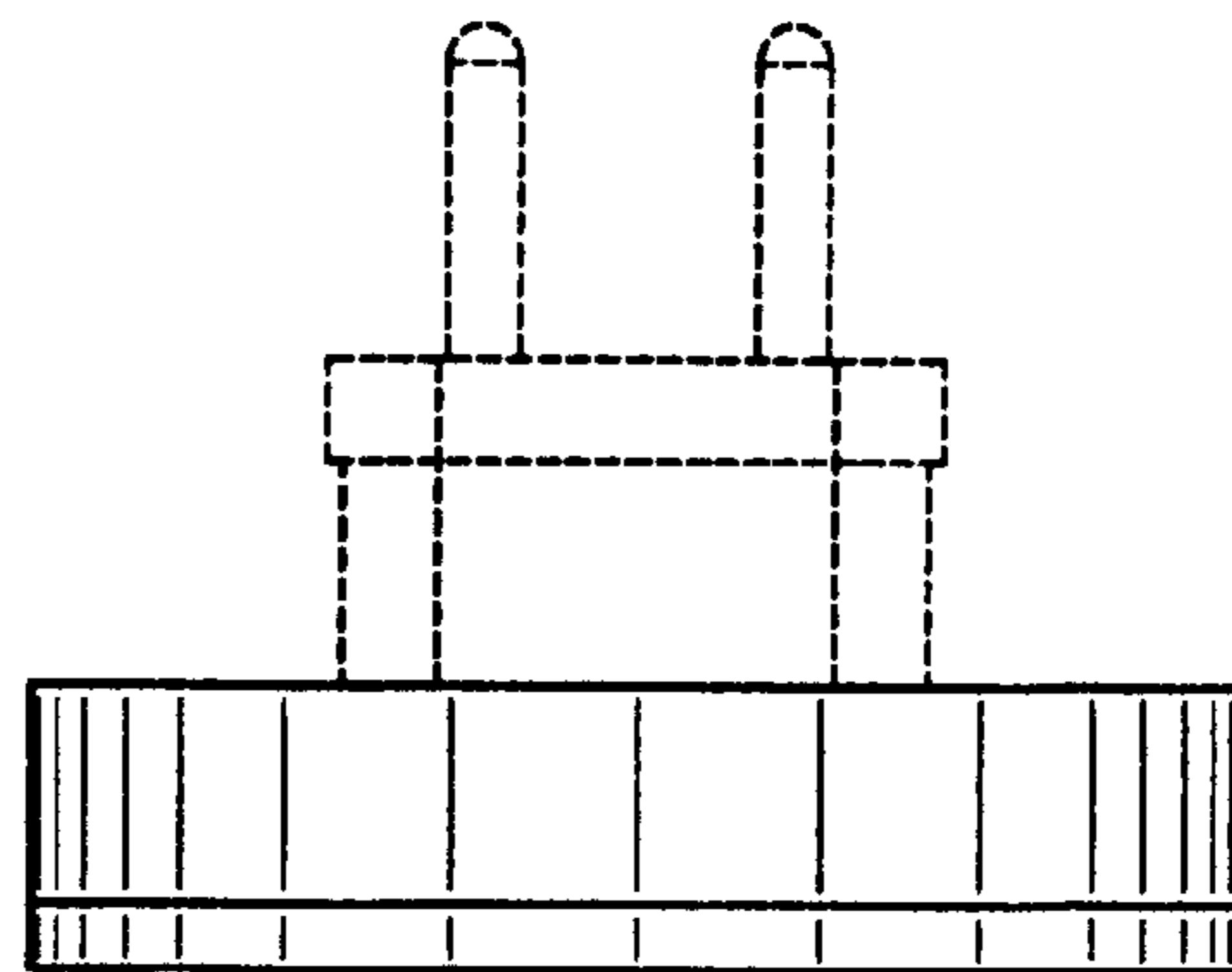


Fig. 4