

US00D506691S

(12) **United States Design Patent**  
**Levinson**

(10) **Patent No.:** **US D506,691 S**  
(45) **Date of Patent:** **\*\* Jun. 28, 2005**

(54) **SPIRIT LEVEL END CAP**

(75) Inventor: **Amy Levinson**, Upper Galilee (IL)

(73) Assignee: **Kapro Industries Ltd.**, MP Bikat Beit Hakerem (IL)

(\*\*) Term: **14 Years**

(21) Appl. No.: **29/194,438**

(22) Filed: **Nov. 25, 2003**

(51) **LOC (8) Cl.** ..... **10-04**

(52) **U.S. Cl.** ..... **D10/74**

(58) **Field of Search** ..... D10/69, 65, 74;  
33/285, 286, 290, 291, 292, 348, 348.2,  
379-383; 356/247, 248, 249, 250, 138

(56) **References Cited**

**U.S. PATENT DOCUMENTS**

4,463,501	A	*	8/1984	Wright et al.	.....	33/350
D311,341	S	*	10/1990	Lewis et al.	.....	D10/62
4,979,310	A	*	12/1990	Wright	.....	33/379
5,001,838	A	*	3/1991	Huxley et al.	.....	33/388
5,412,876	A		5/1995	Scheyer		
D388,719	S		1/1998	Kohner		
5,709,034	A		1/1998	Kohner		
D440,507	S	*	4/2001	Krehel et al.	.....	D10/69
D459,251	S	*	6/2002	Scheyer	.....	D10/69
D470,388	S	*	2/2003	Levinson	.....	D8/301
6,675,490	B1	*	1/2004	Krehel et al.	.....	33/382

\* cited by examiner

*Primary Examiner*—Lucy Lieberman

(74) *Attorney, Agent, or Firm*—Nath & Associates PLLC;  
Harold L. Novick

(57) **CLAIM**

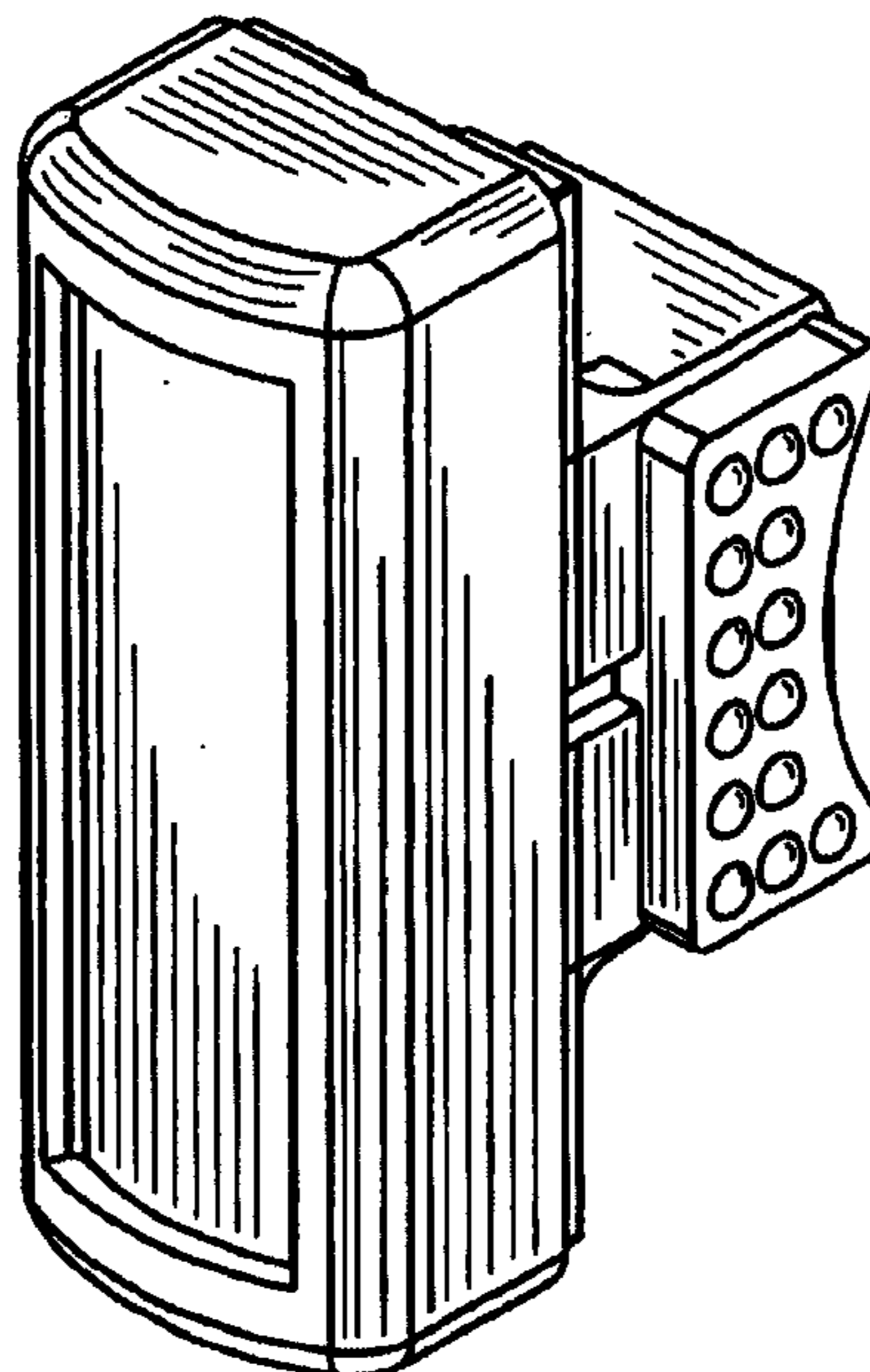
The ornamental design for a spirit level end cap, as shown and described.

**DESCRIPTION**

FIG. 1 is a perspective view of a spirit level including a first embodiment of an end cap of the present invention; FIG. 2 is a perspective view of the end cap of FIG. 1; FIG. 3 is a front view thereof; the rear view is a mirror image of the front; FIG. 4 is a top plan view thereof; FIG. 5 is left side view thereof; FIG. 6 is a right side view thereof; FIG. 7 is a perspective view of a spirit level including a second embodiment of an end cap of the present invention; FIG. 8 is a perspective view of the end cap of FIG. 7; FIG. 9 is a front view of the second embodiment, the rear view is a mirror image of the front; FIG. 10 is a top plan view of the second embodiment; FIG. 11 is left side view thereof; FIG. 12 is a right side view of the second embodiment; FIG. 13 is a perspective view of a spirit level including a third embodiment of an end cap of the present invention; FIG. 14 is a perspective view of the end cap of FIG. 13; FIG. 15 is a front view of the third embodiment, the rear view is a mirror image of the front; FIG. 16 is a top plan view of the third embodiment; FIG. 17 is left side view thereof; and, FIG. 18 is a right side view of the third embodiment.

The broken lines showing portions of a spirit level in FIGS. 1, 7, and 13 are for illustrative purposes only and do not form part of the claimed design.

**1 Claim, 9 Drawing Sheets**



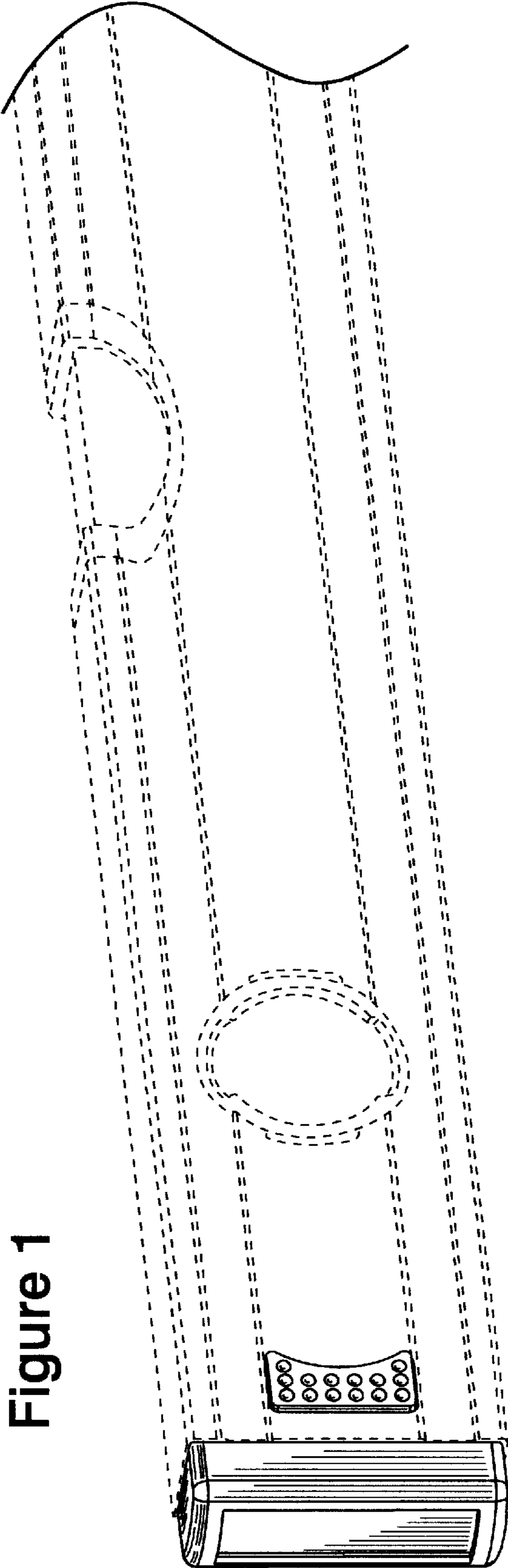


Figure 1

Figure 3

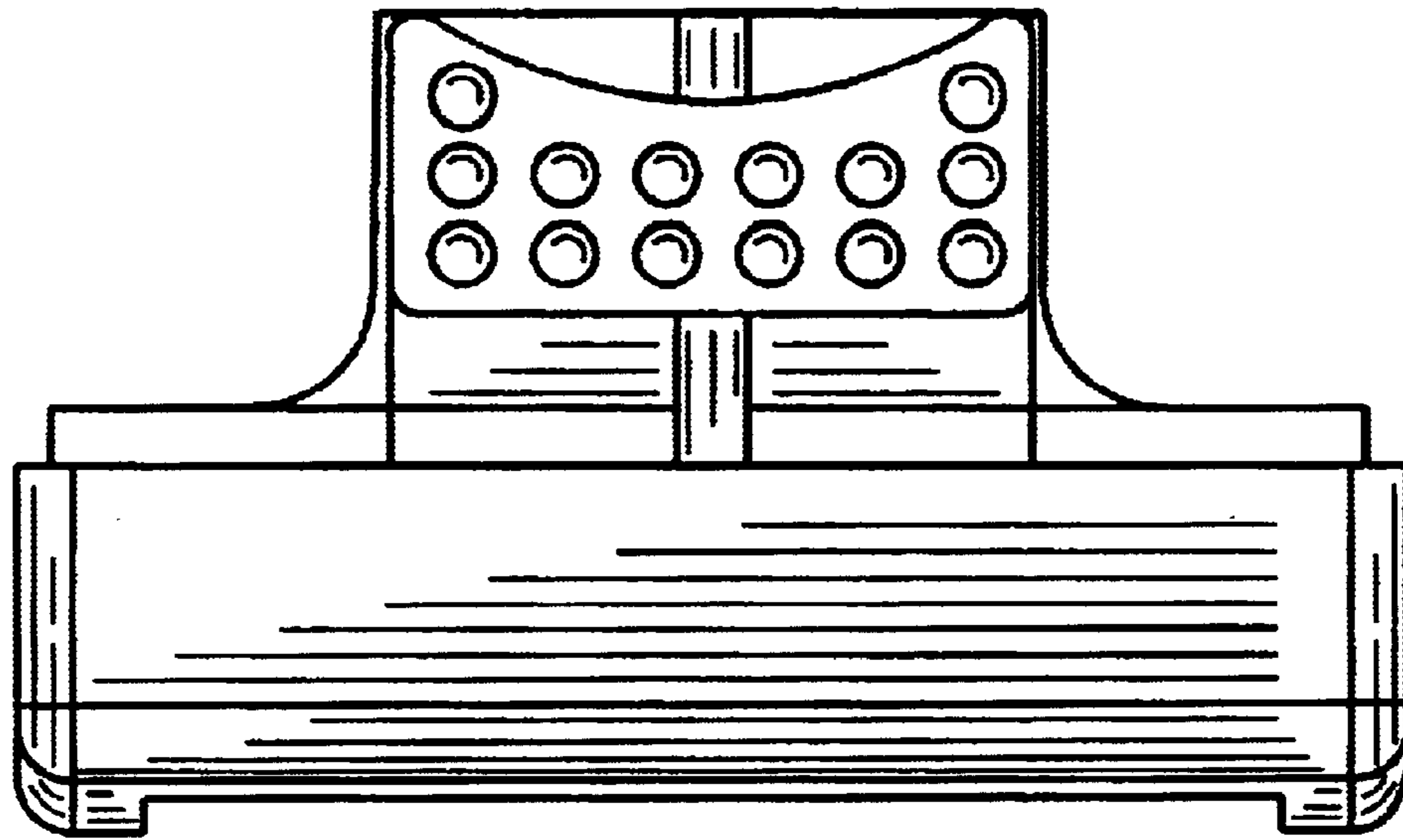


Figure 2

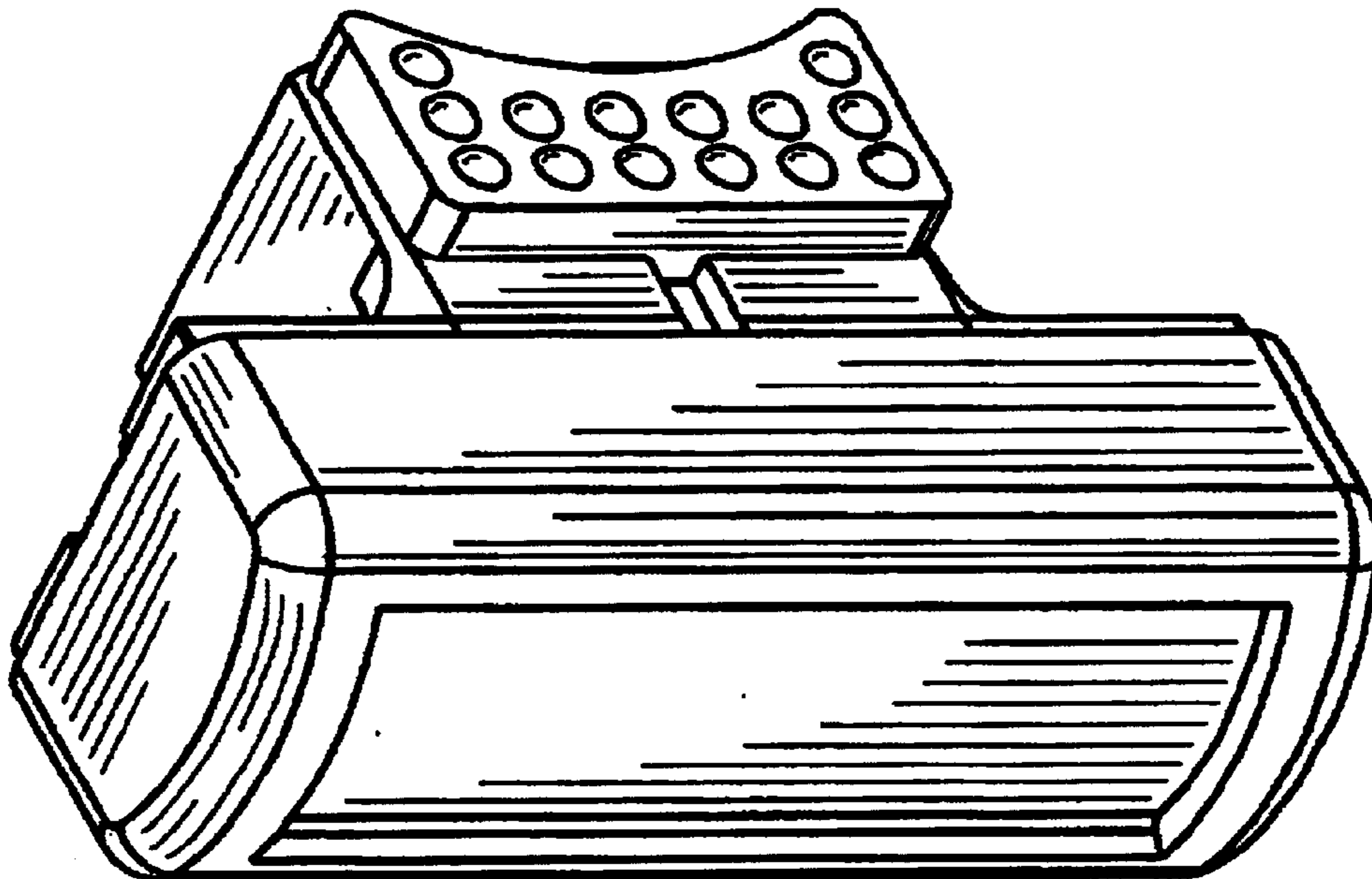


Figure 6

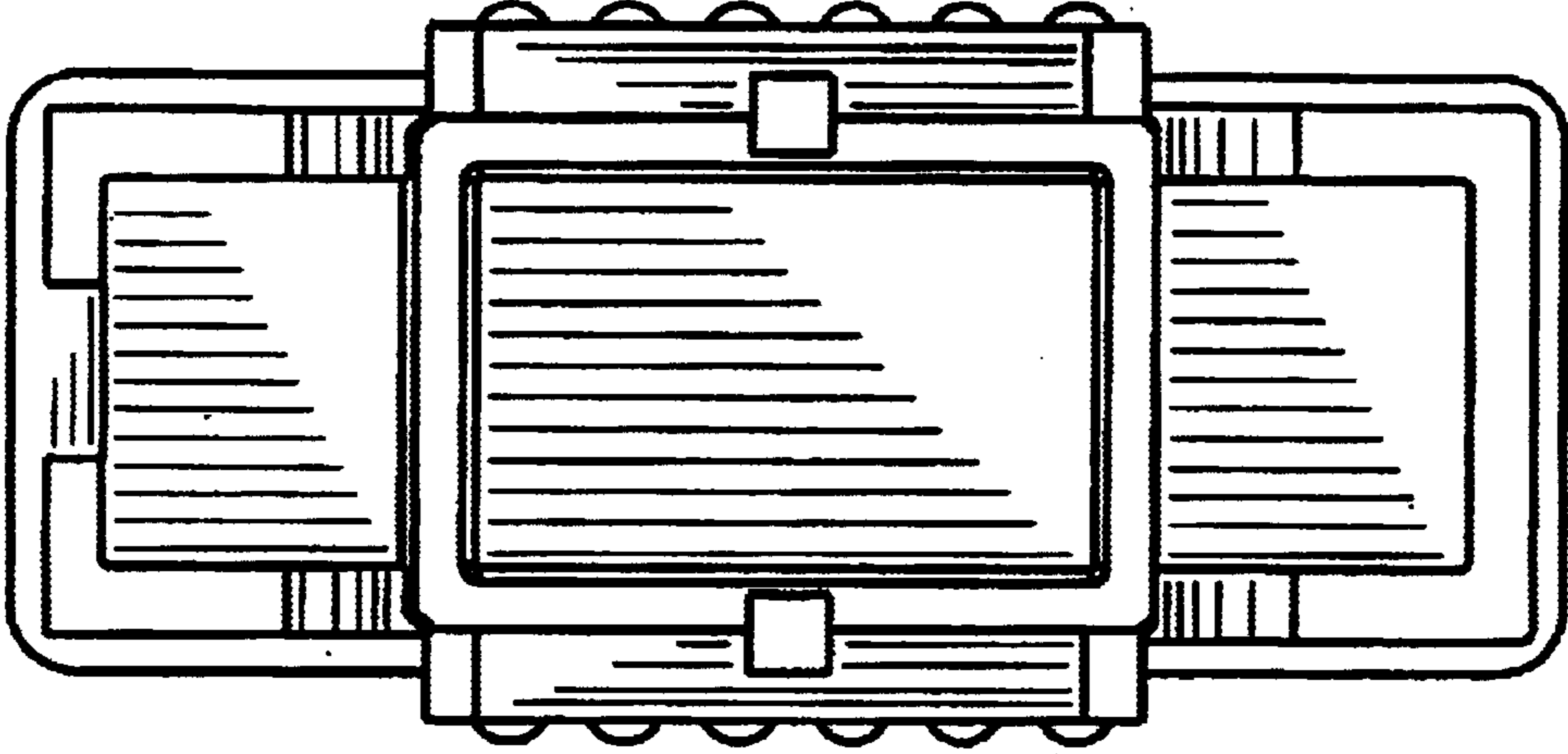


Figure 5

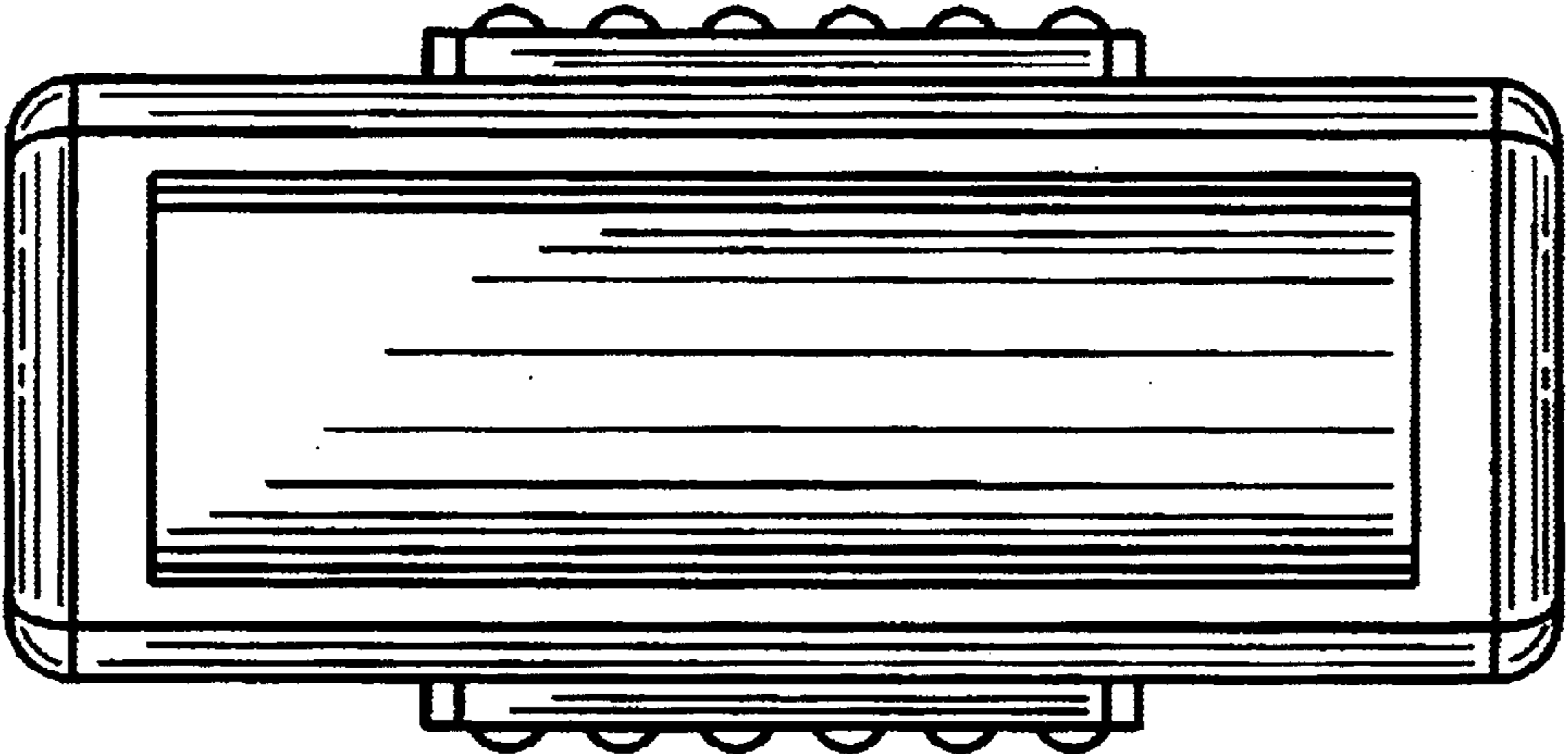
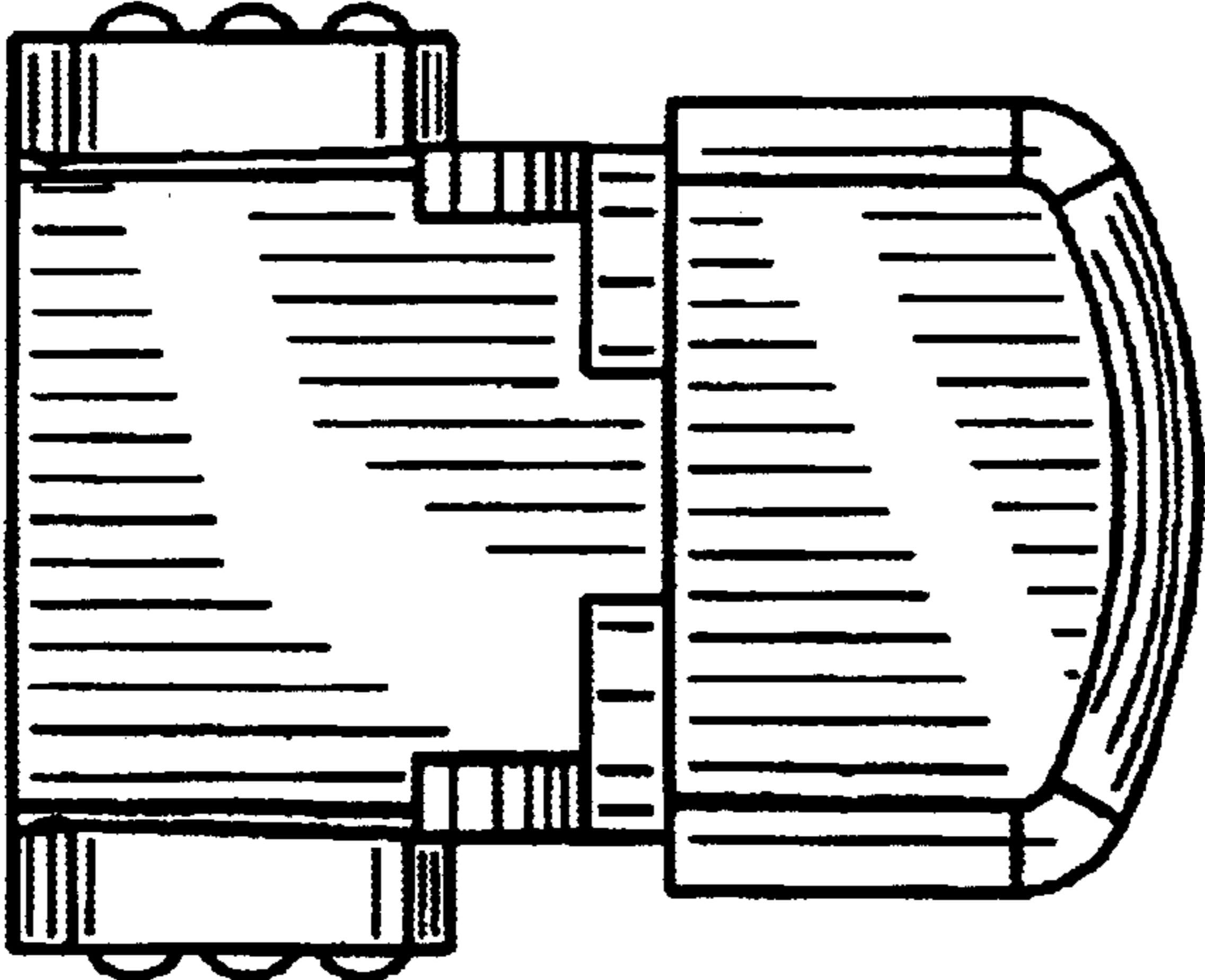


Figure 4



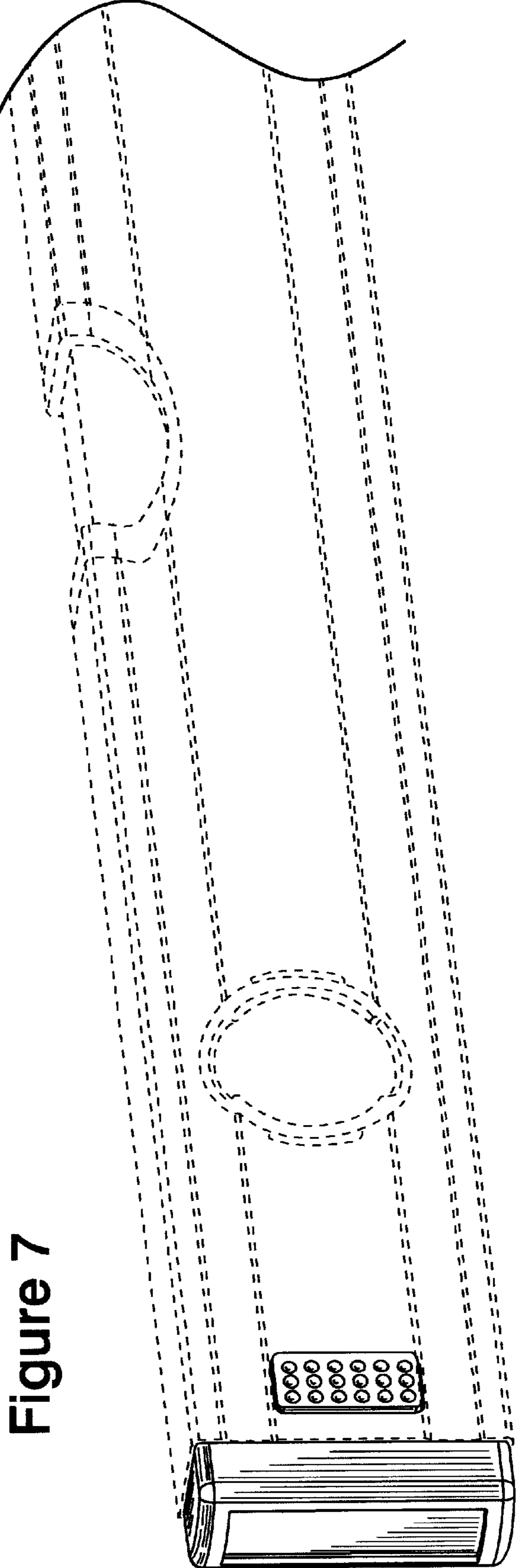


Figure 7

Figure 9

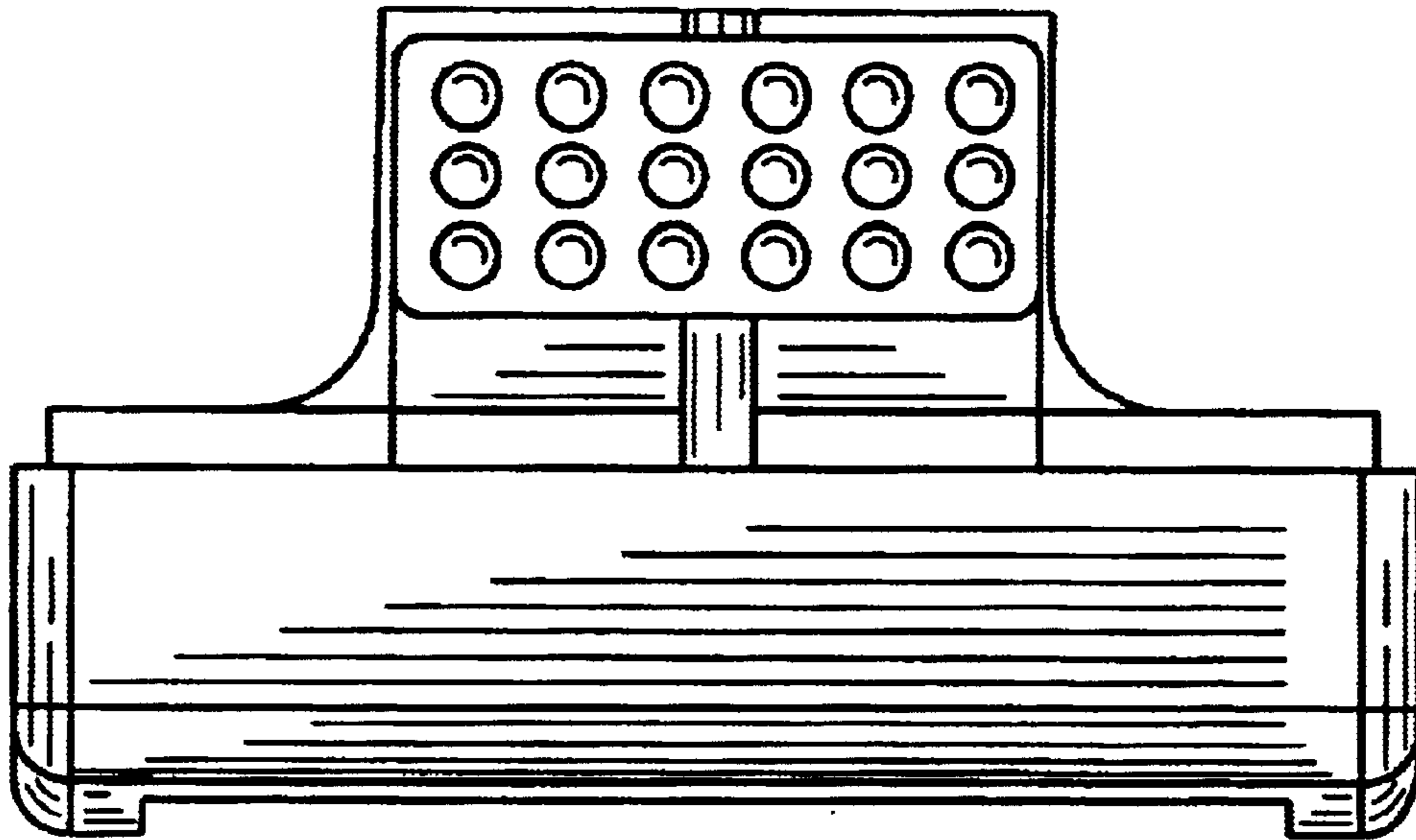


Figure 8

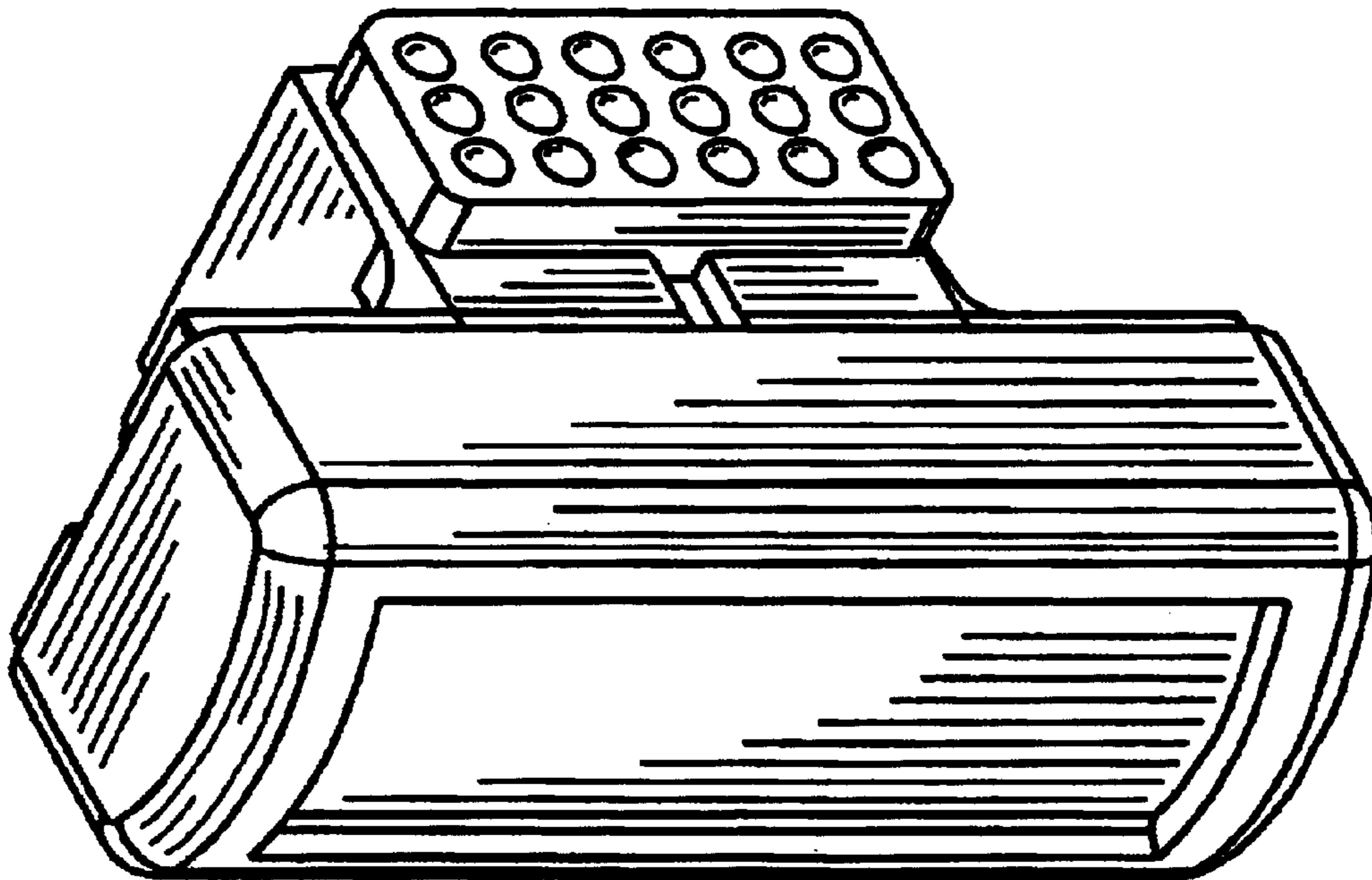


Figure 12

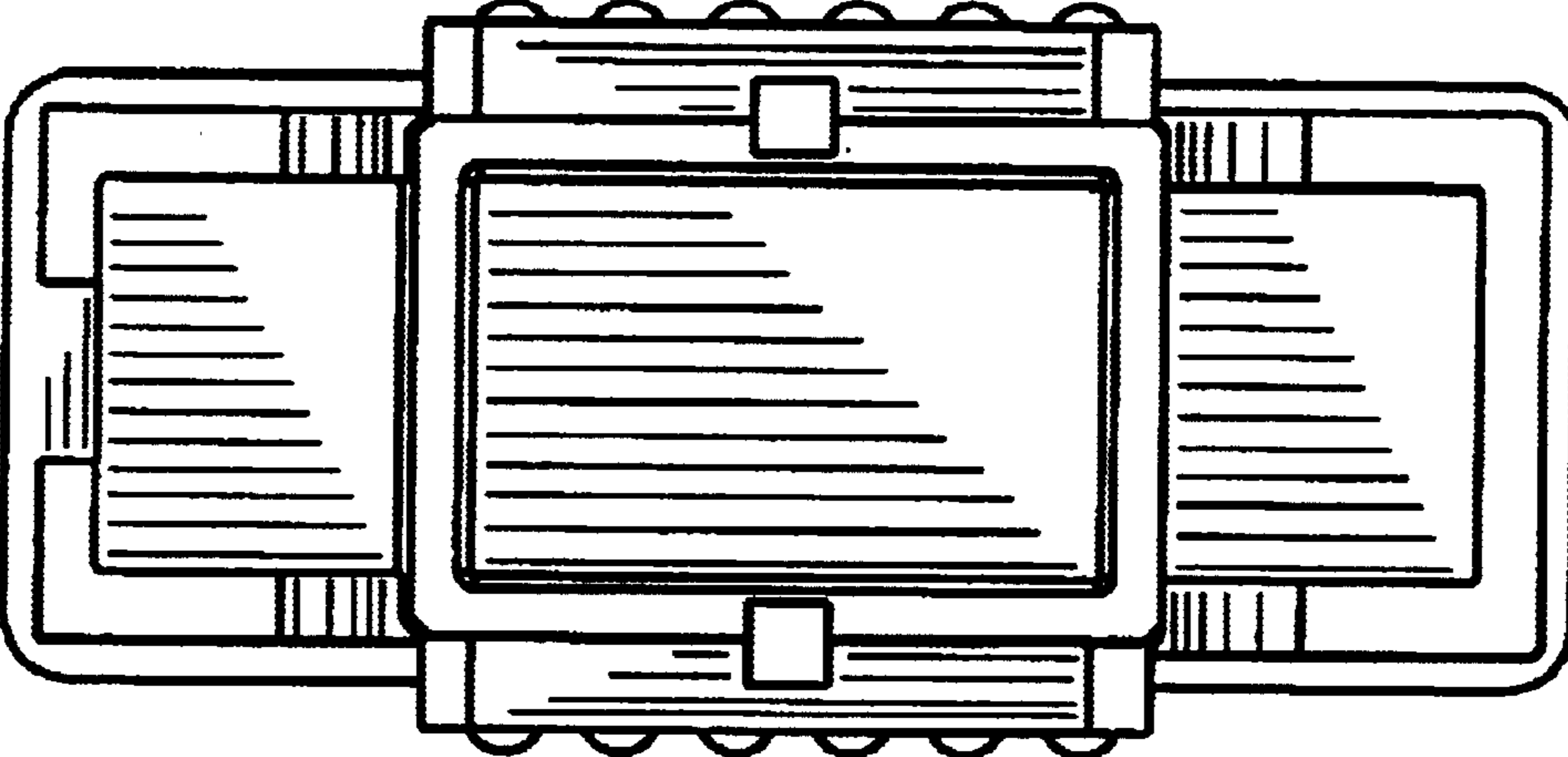


Figure 11

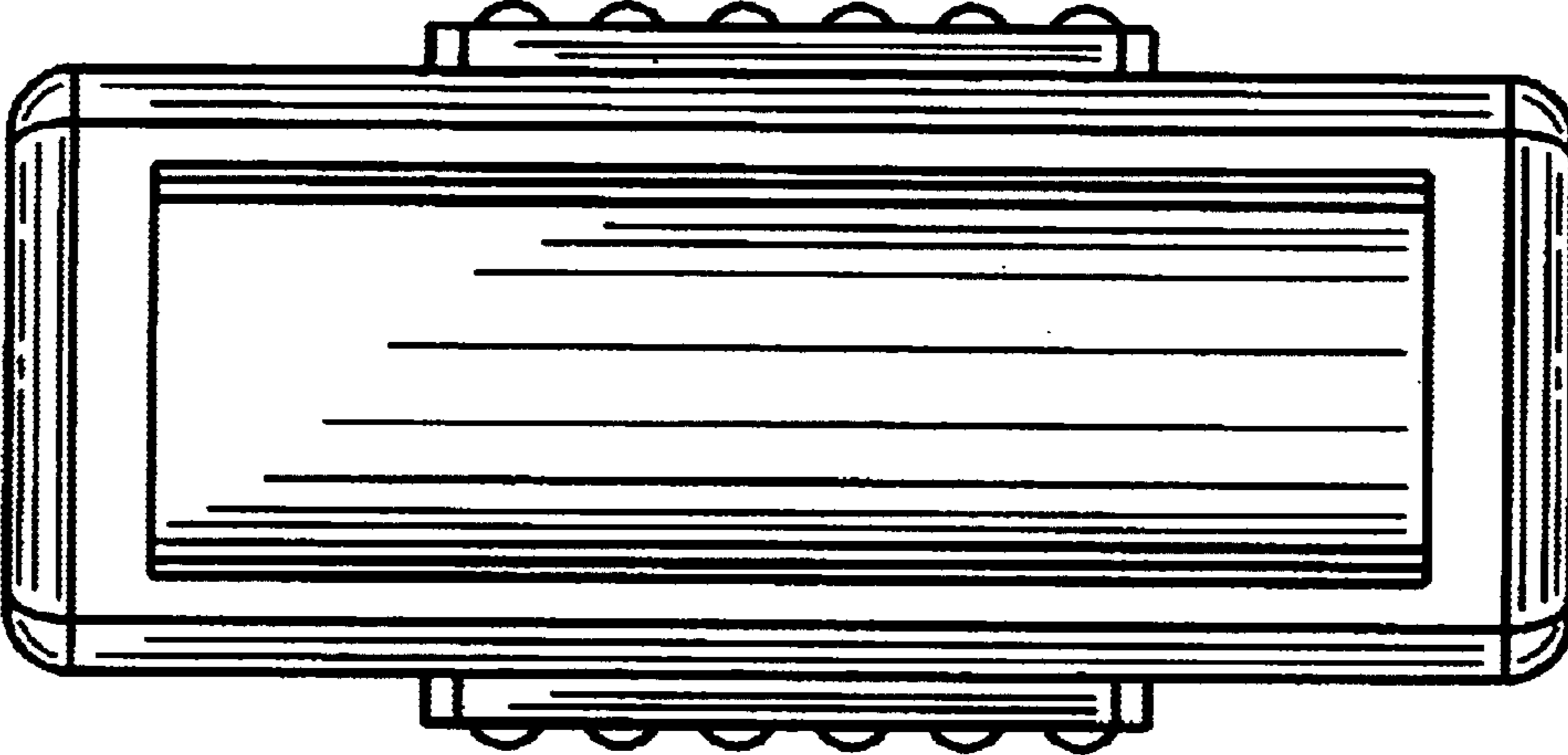
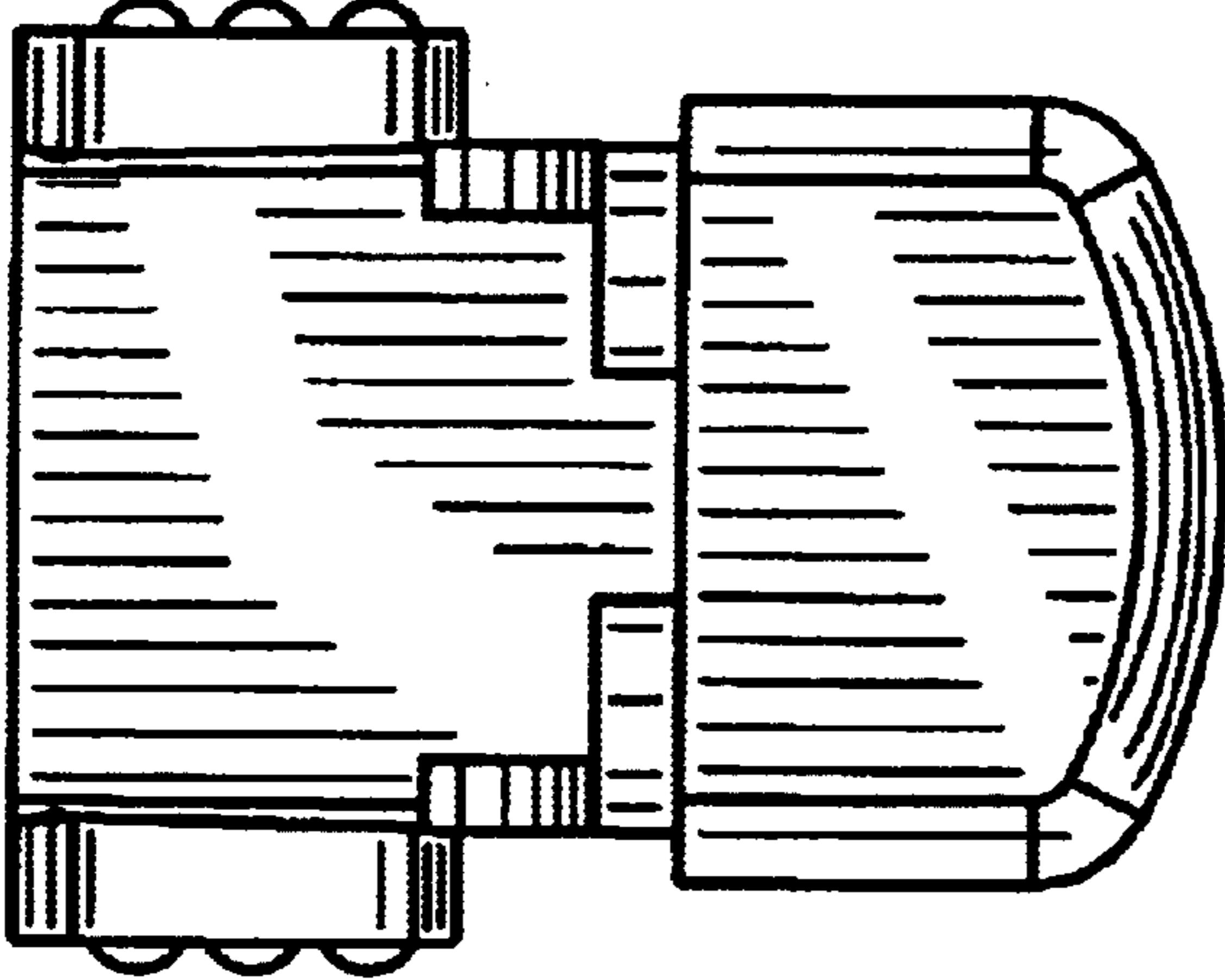


Figure 10



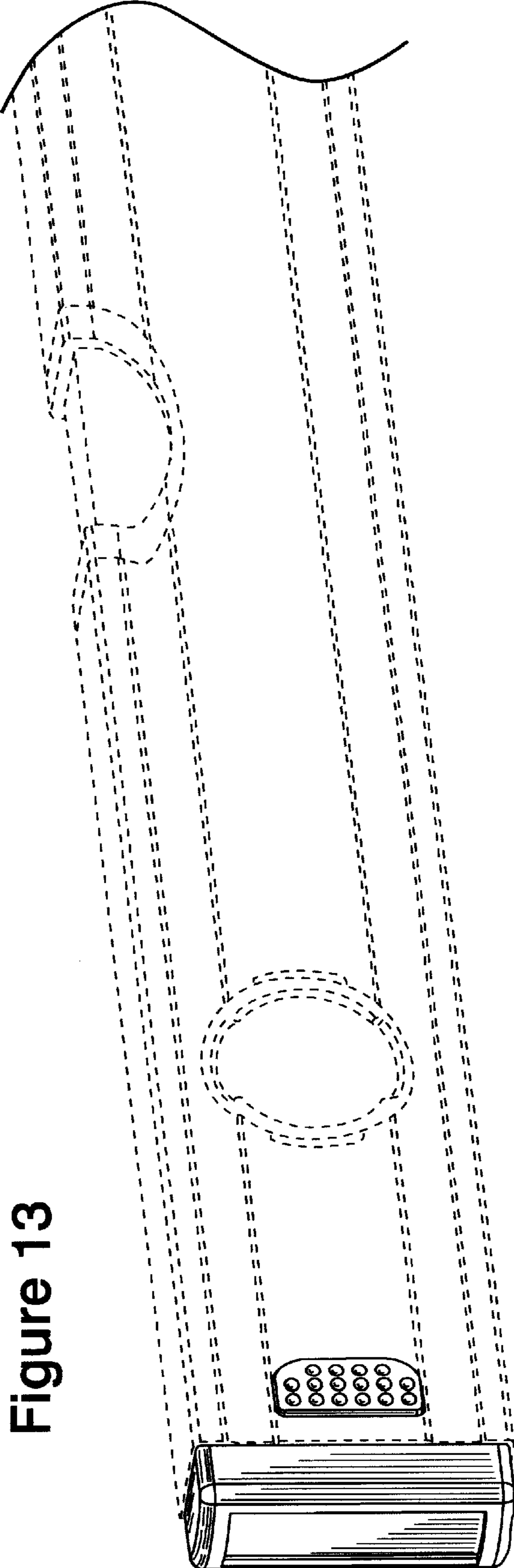


Figure 13



Figure 15

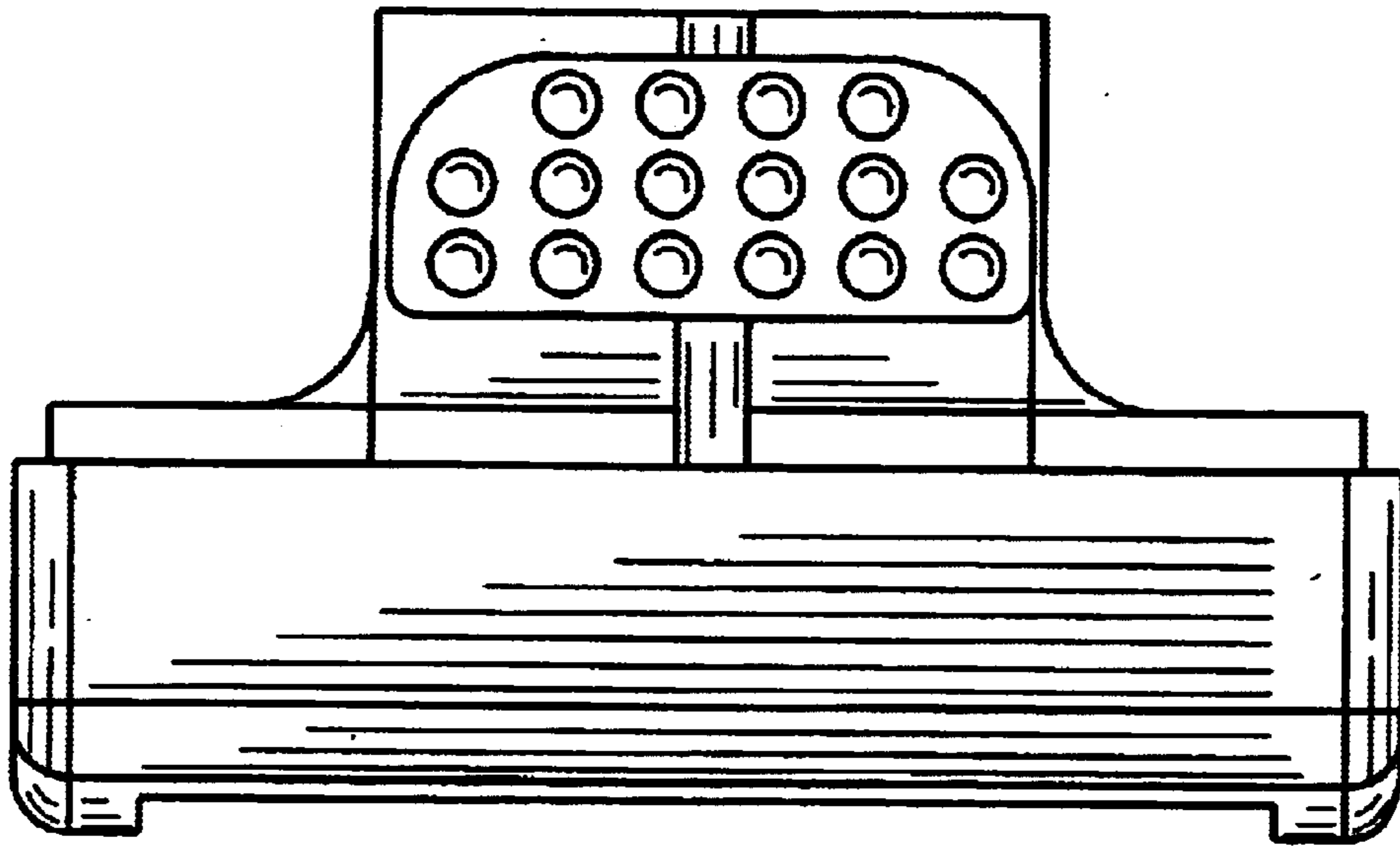


Figure 14

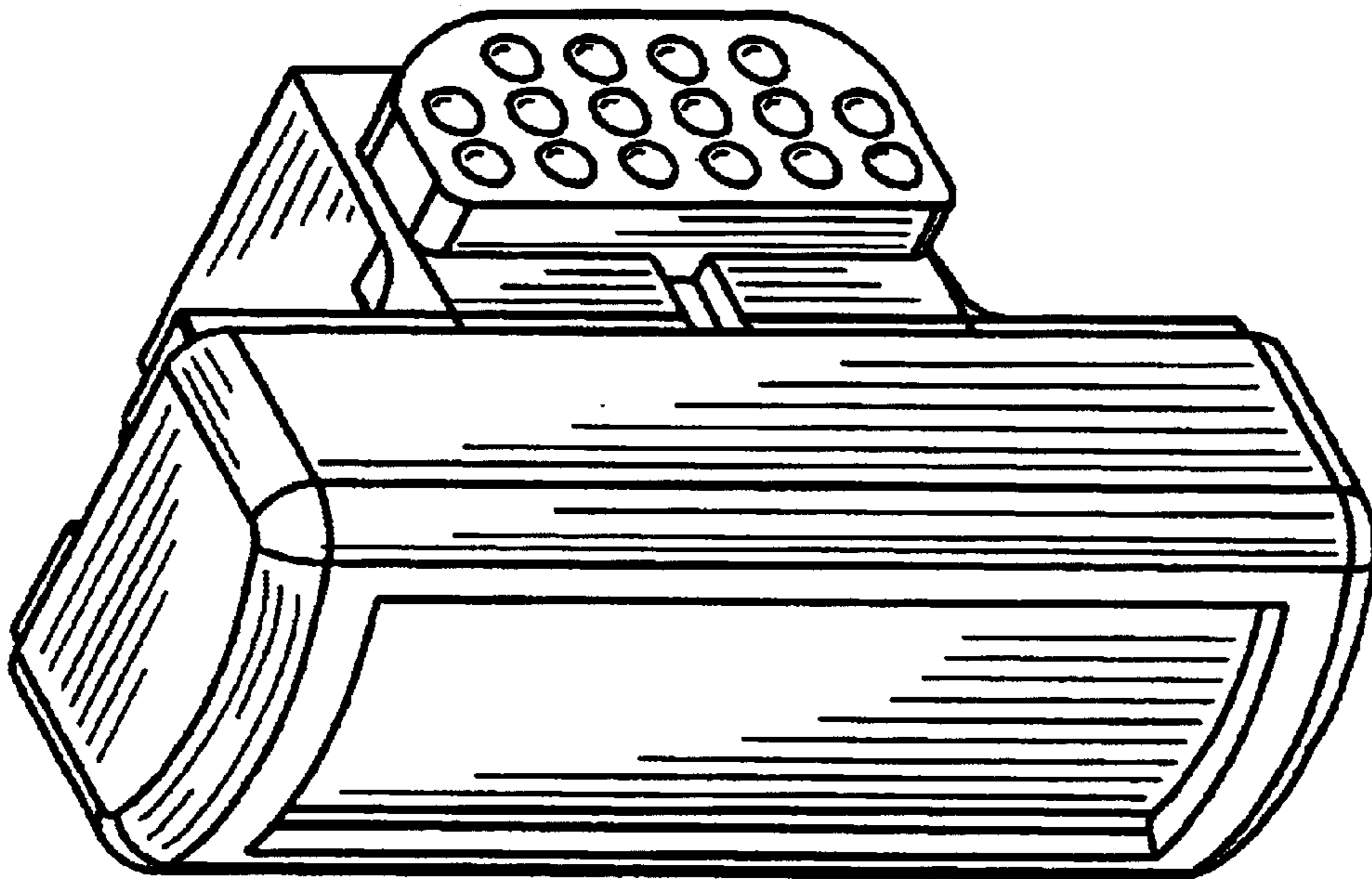


Figure 18

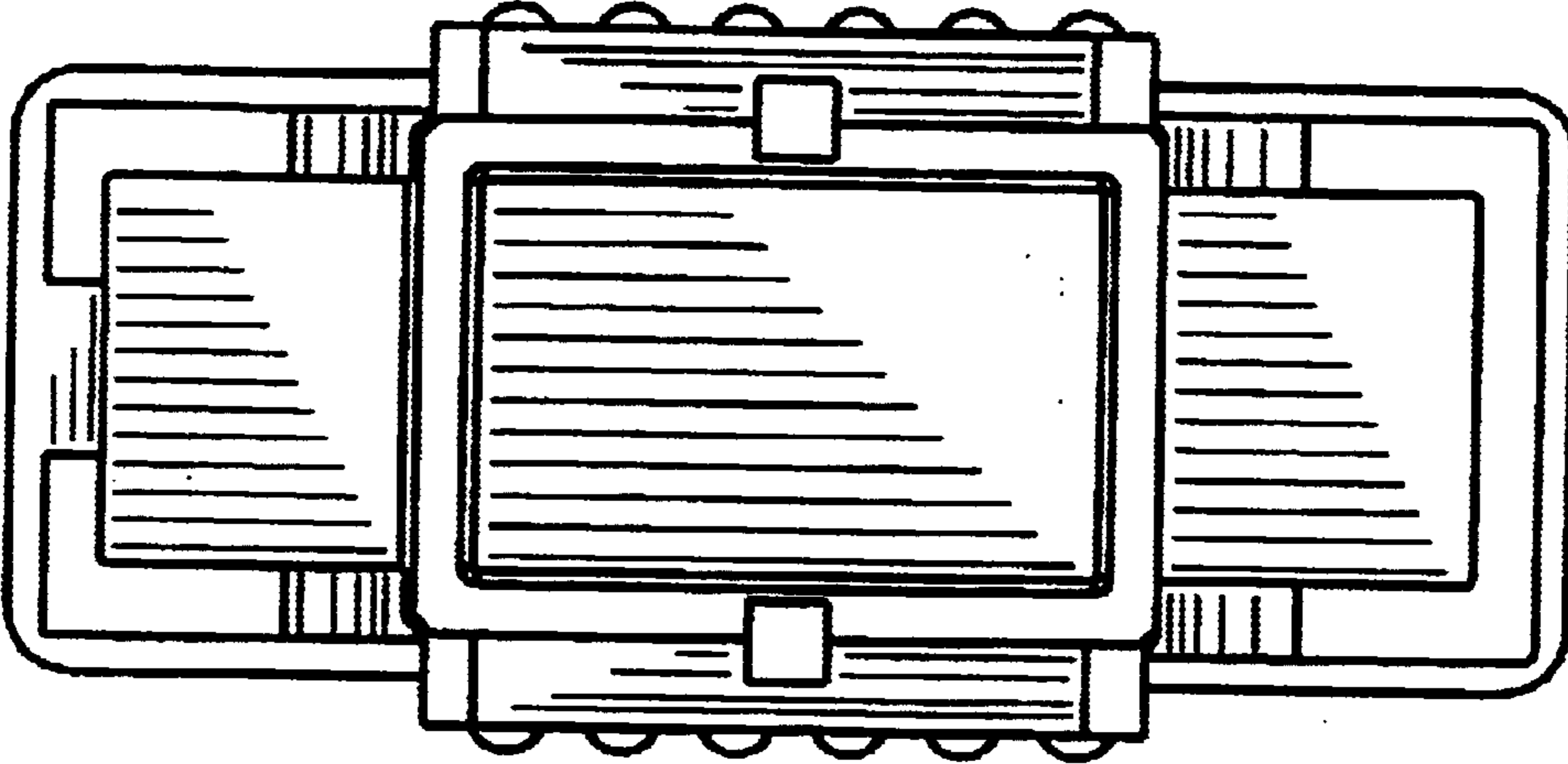


Figure 17

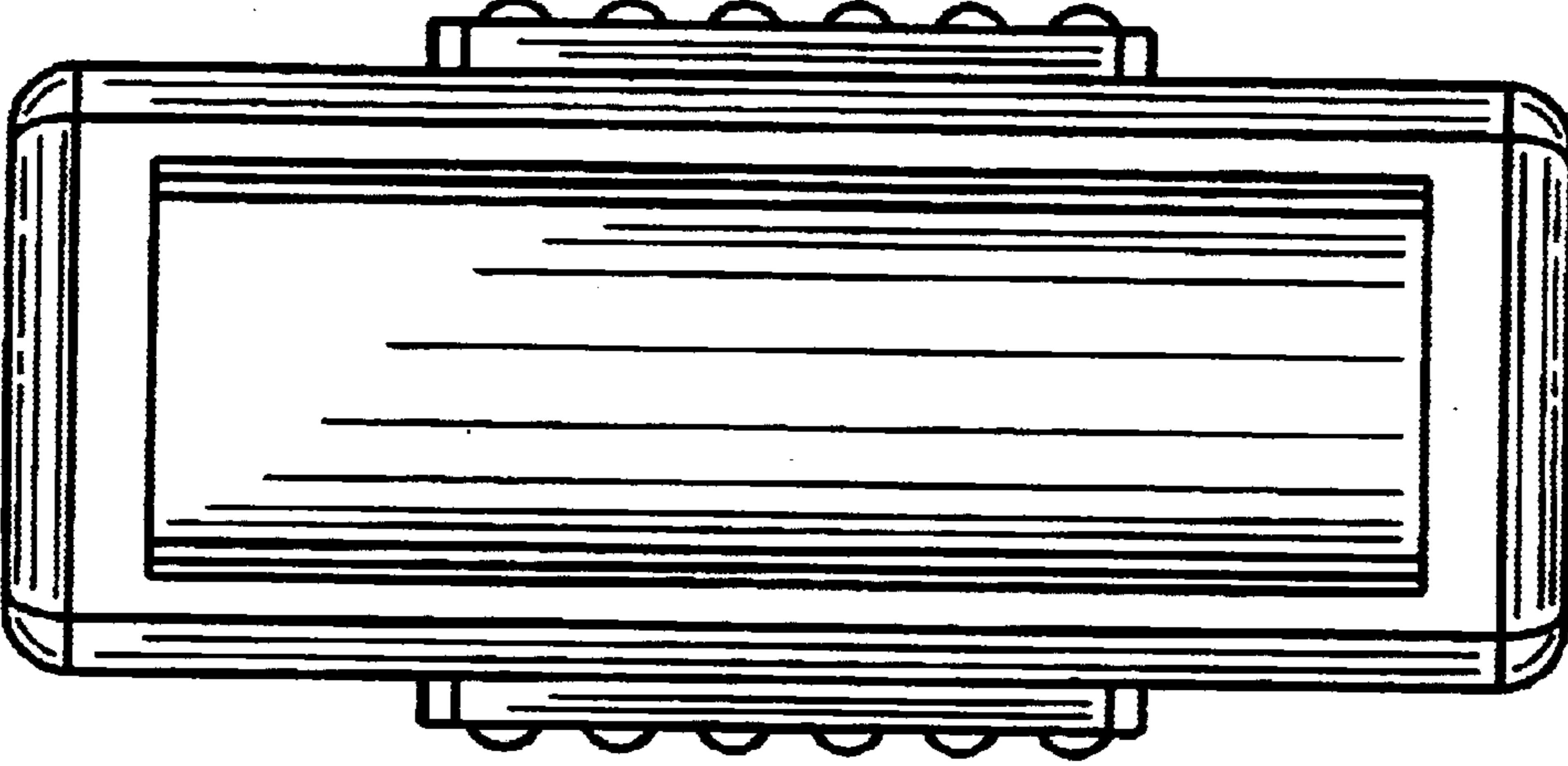


Figure 16

