

US00D506686S

(12) **United States Design Patent** (10) **Patent No.:** **US D506,686 S**
Jones et al. (45) **Date of Patent:** **** Jun. 28, 2005**

(54) **WATCH**

D465,759 S 11/2002 Leutz et al.
D476,939 S 7/2003 Francis
D492,208 S * 6/2004 Dias D10/32

(75) Inventors: **James R. Jones**, Town and County,
MO (US); **Michael L. Capriglione**,
Imperial, MO (US); **Howard**
Schroeder, St. Louis, MO (US)

OTHER PUBLICATIONS

Wheel With "Retro Cross" Design, Bourget Bike Works,
circa 2002.
Three-spoke wheel design by Ego Tripp Wheels, circa 2002.
Four-spoke wheel design by Ego Tripp Wheels, circa 2002.

(73) Assignee: **Midwest Motorcycle Supply**, Arnold,
MO (US)

(**) Term: **14 Years**

* cited by examiner

(21) Appl. No.: **29/215,331**

Primary Examiner—Nelson C. Holtje

(22) Filed: **Oct. 18, 2004**

(74) *Attorney, Agent, or Firm*—Thompson Coburn LLP

(51) **LOC (8) Cl.** **10-02**

(57) **CLAIM**

(52) **U.S. Cl.** **D10/33**

The ornamental design for a watch, as shown and described.

(58) **Field of Search** D10/30-39; 368/280-282,
368/276-277, 285, 293-294

DESCRIPTION

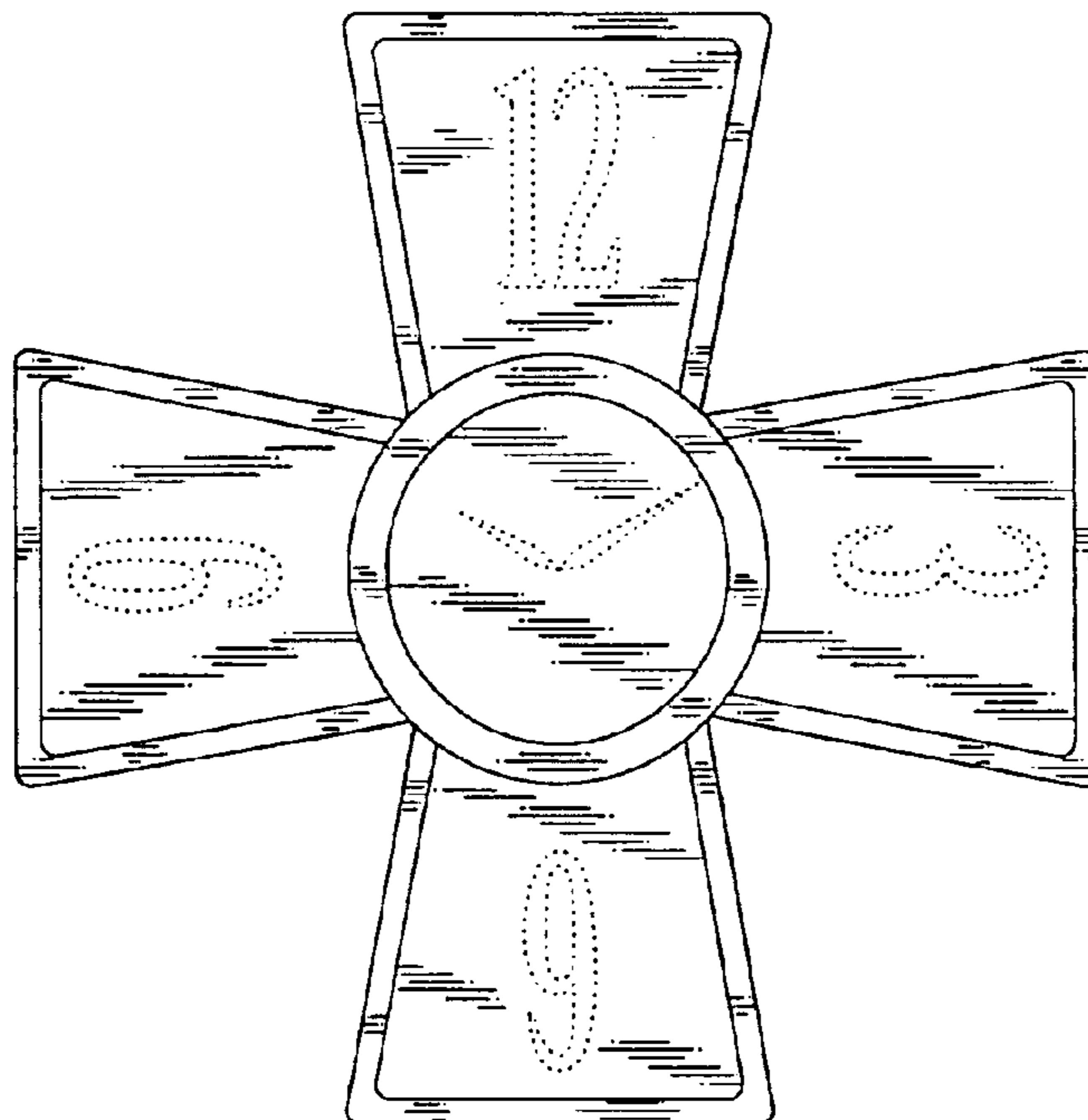
(56) **References Cited**

FIG. 1 is a perspective view of a watch of the present invention showing our new design;
FIG. 2 is a top plan view of the watch of FIG. 1;
FIG. 3 is a front elevational view of the watch of FIG. 1, the rear elevational view being a mirror image thereof; and,
FIG. 4 is a right end elevational view of the watch of FIG. 1, the left end elevational view being a mirror image thereof.
Broken lines shown in the drawings are used to indicate the environment in which the design is used, but form no part of the claimed design. The bottom plan view is unornamental and forms no part of the claimed design.

U.S. PATENT DOCUMENTS

D53,025 S	*	2/1919	Weiner	D10/33
D59,739 S	*	11/1921	Gruen	D10/39
D256,456 S		8/1980	Blanchard		
D256,576 S		8/1980	Koch		
D256,795 S		9/1980	Blanchard		
D256,910 S		9/1980	Patch		
D267,563 S		1/1983	Hayashi		
D286,869 S		11/1986	Hedlund		
D432,482 S		10/2000	Hodges		
D444,117 S		6/2001	Mantion		

1 Claim, 2 Drawing Sheets



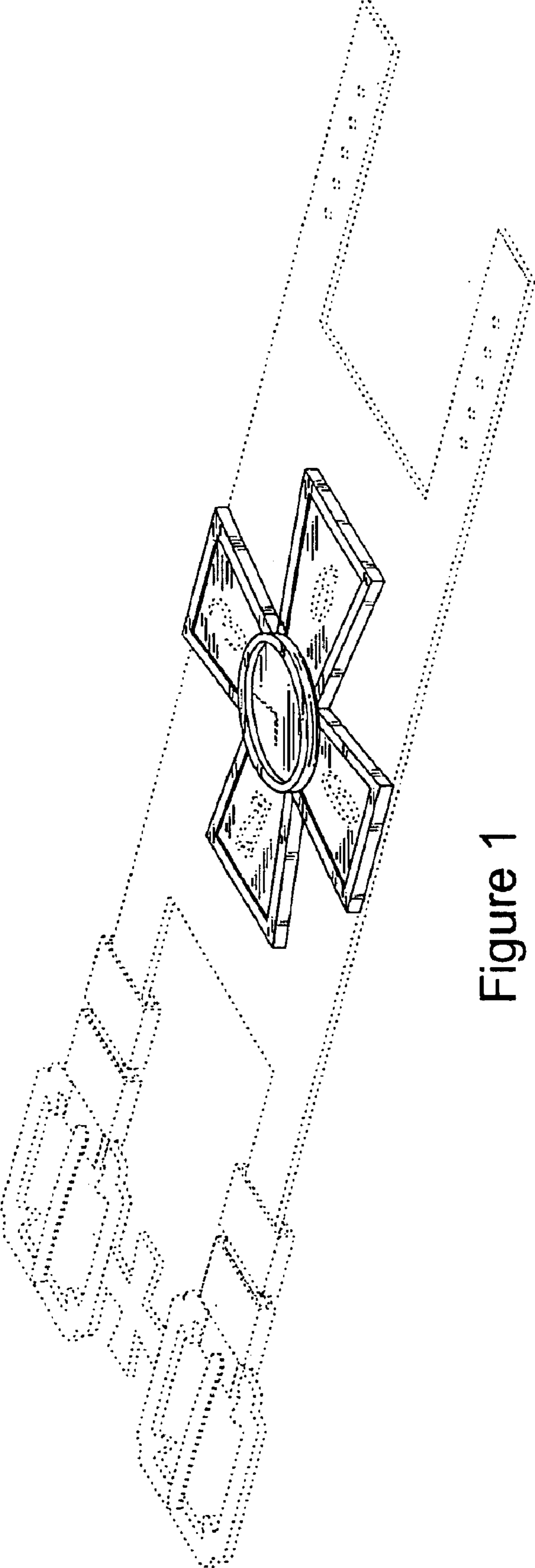


Figure 1

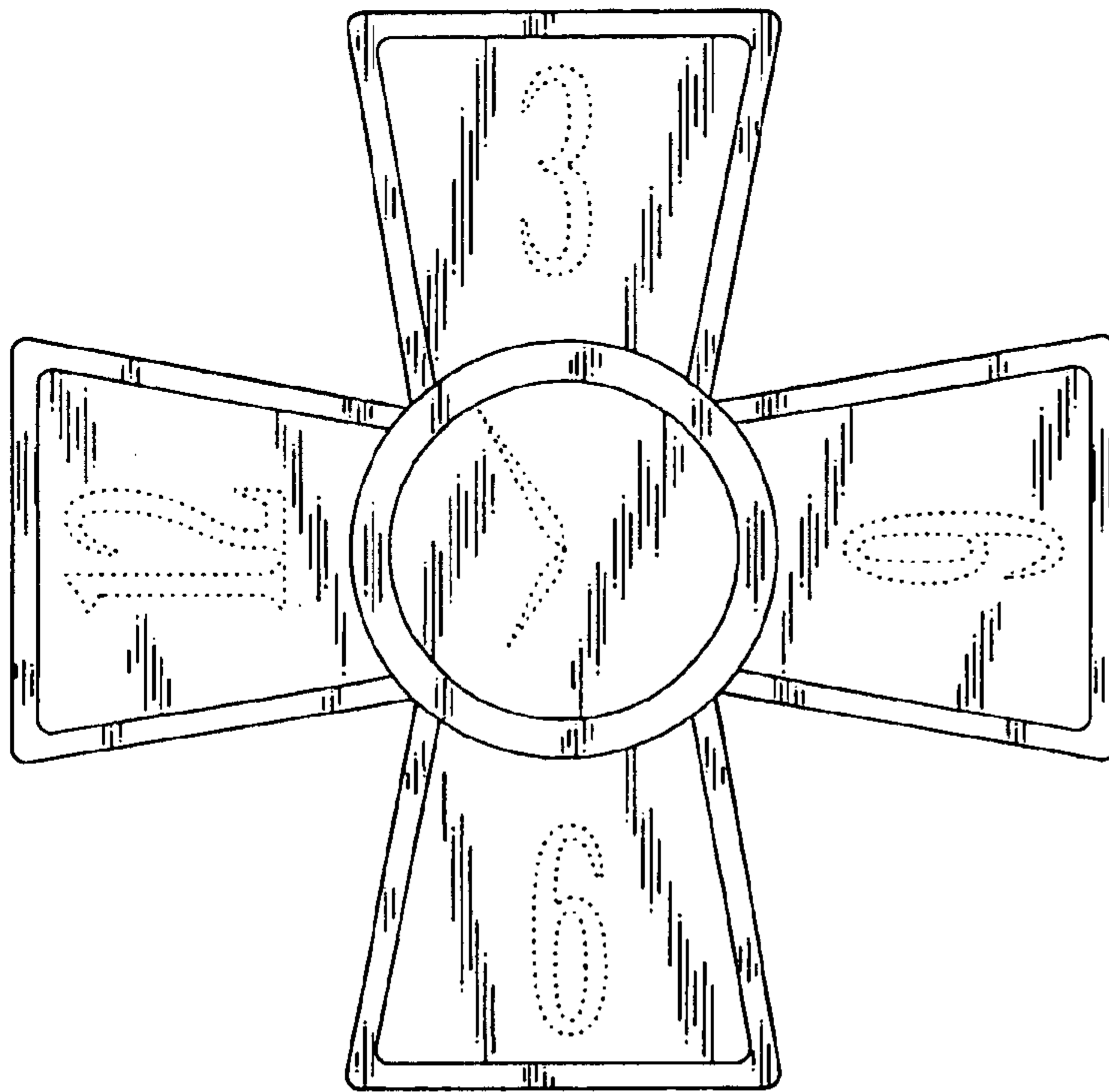


Figure 2

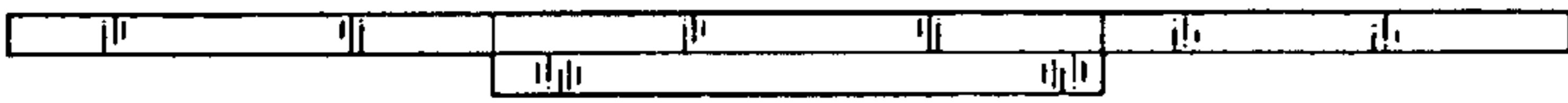


Figure 4

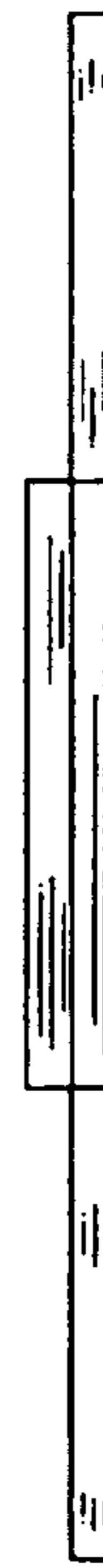


Figure 3