

US00D506684S

(12) **United States Design Patent**
Junod

(10) **Patent No.:** **US D506,684 S**
(45) **Date of Patent:** **** Jun. 28, 2005**

(54) **WATCH PIECE**

D497,813 S * 11/2004 Monti D10/39

(75) **Inventor:** **Paul Junod, Biel/Bienne (CH)**

* cited by examiner

(73) **Assignee:** **Milus International SA (CH)**

Primary Examiner—Nelson C. Holtje

(**) **Term:** **14 Years**

(74) *Attorney, Agent, or Firm*—Woodard, Emhardt, Moriarty, McNett & Henry LLP

(21) **Appl. No.:** **29/214,533**

(57) **CLAIM**

(22) **Filed:** **Oct. 5, 2004**

The ornamental design for a watch piece, as shown and described.

(30) **Foreign Application Priority Data**

DESCRIPTION

Apr. 5, 2004 (CH) 130575

(51) **LOC (8) Cl.** **10-02**

FIG. 1 is a perspective view of a watch piece incorporating my new design.

(52) **U.S. Cl.** **D10/30**

FIG. 2 is a front elevation view.

(58) **Field of Search** D10/30-39; 368/280-282,
368/276-277, 285, 293-294

FIG. 3 is a back elevation view.

FIG. 4 is a right side elevational view.

FIG. 5 is a left side elevational view.

FIG. 6 is a top plan view; and,

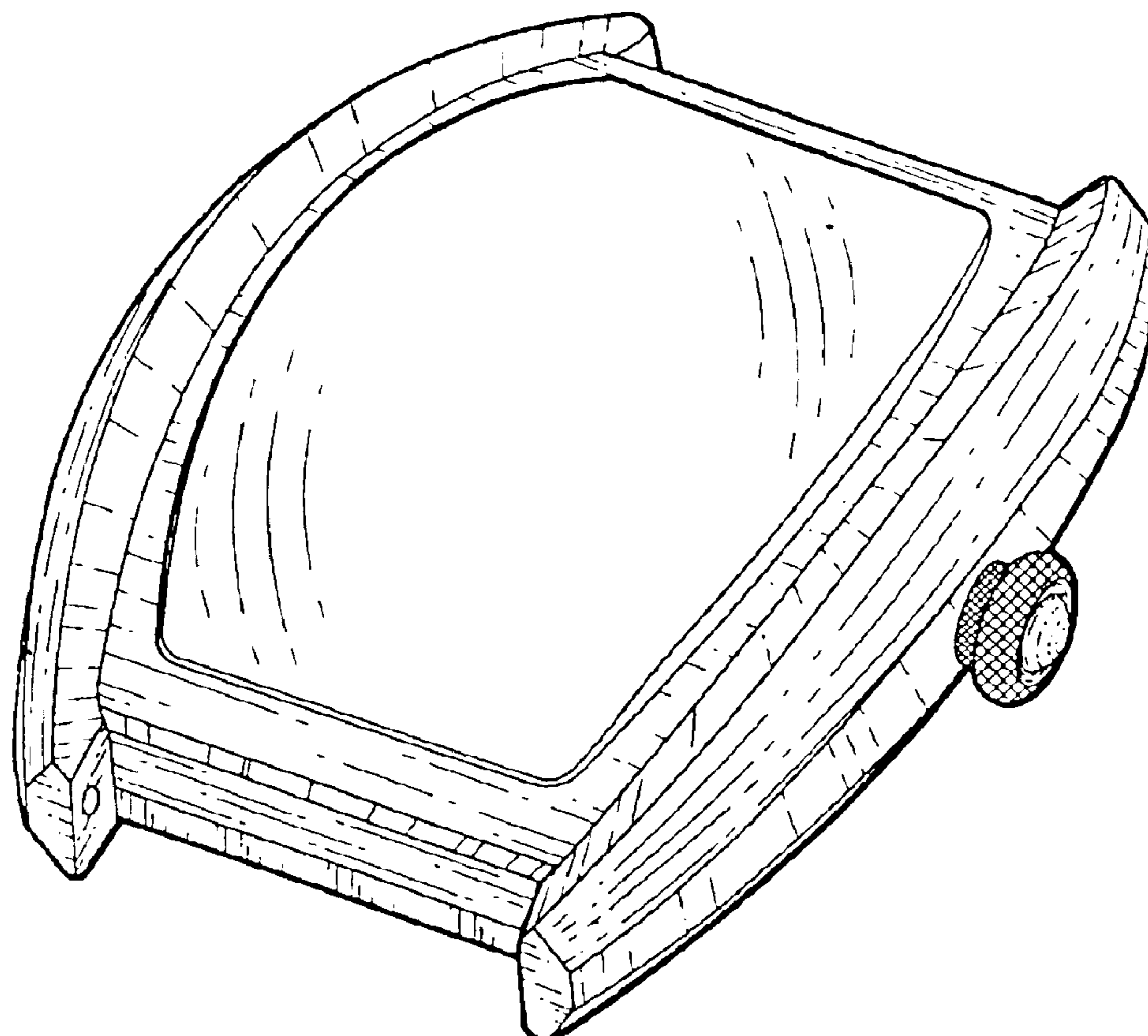
FIG. 7 is a bottom plan view.

(56) **References Cited**

U.S. PATENT DOCUMENTS

D77,296 S * 12/1928 Connant D10/38

1 Claim, 4 Drawing Sheets



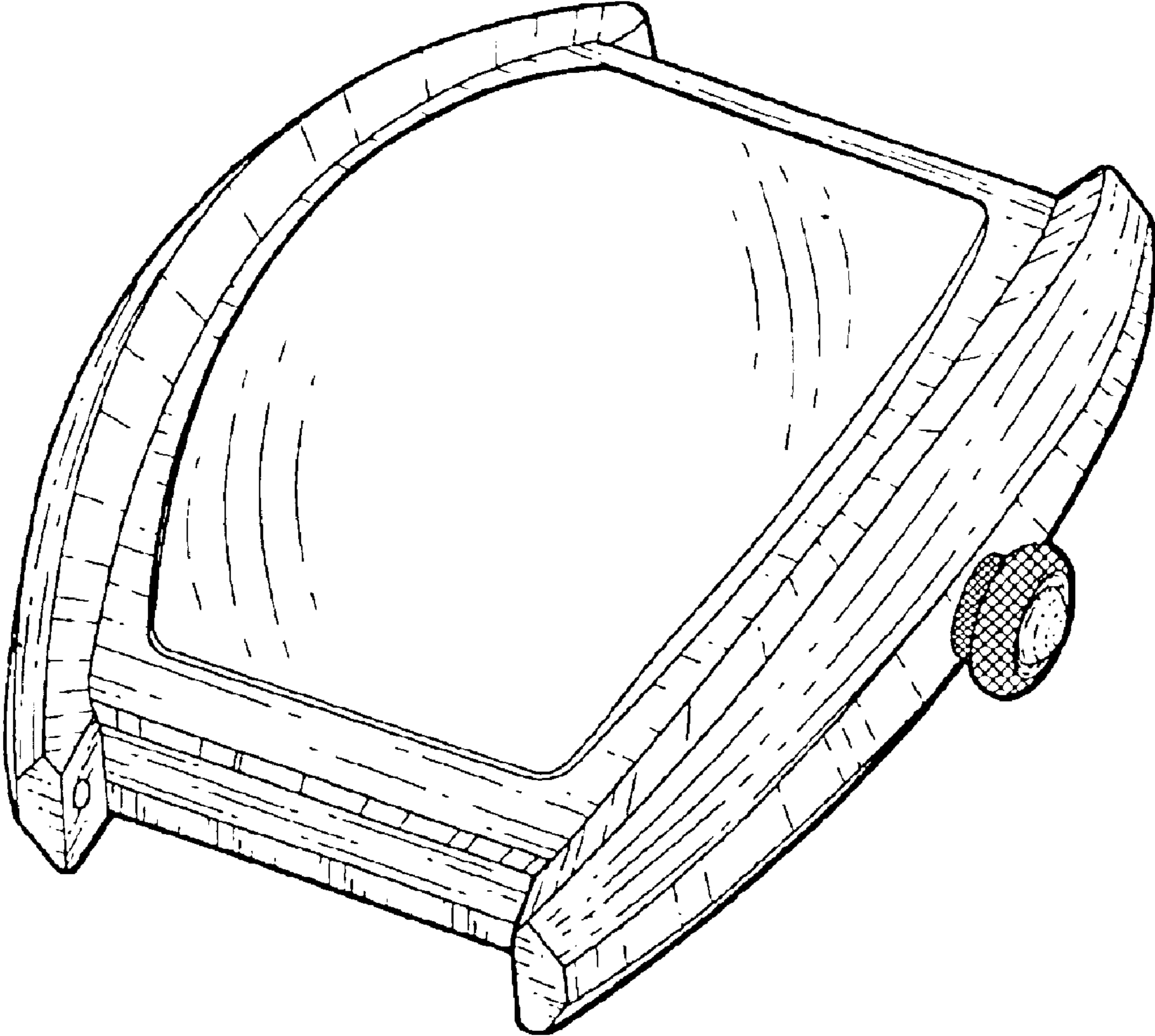


Fig. 1

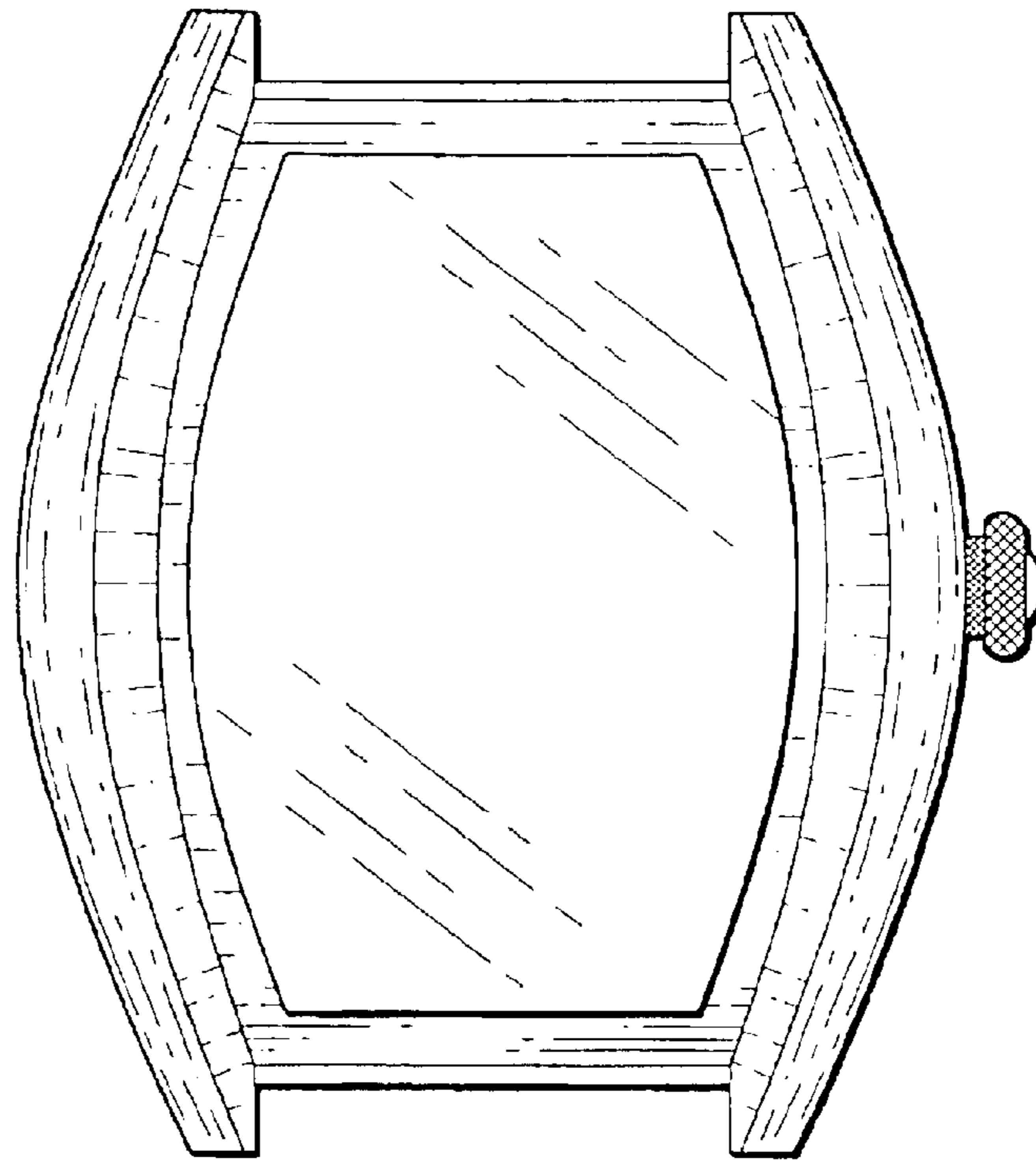


Fig. 2

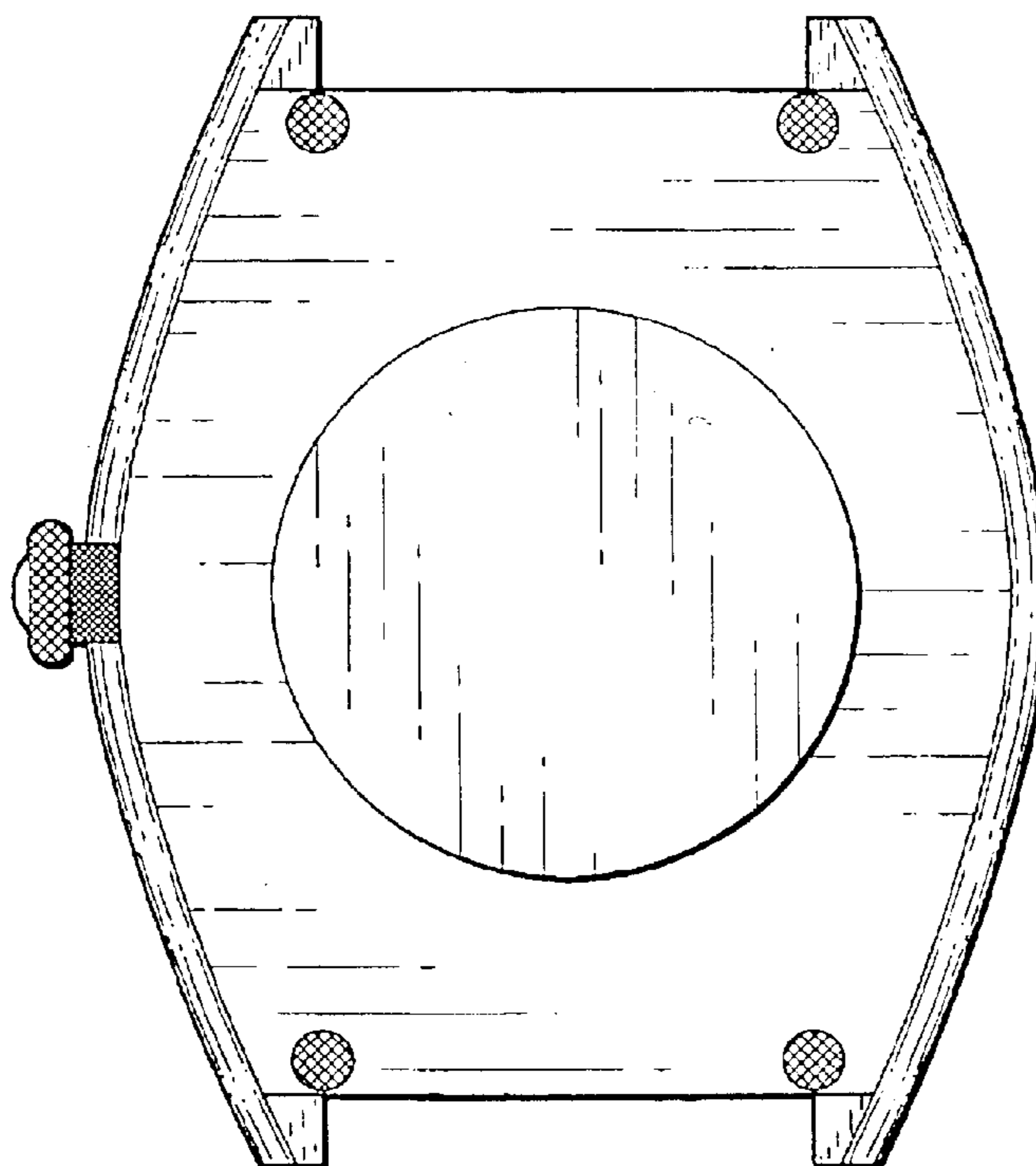


Fig. 3

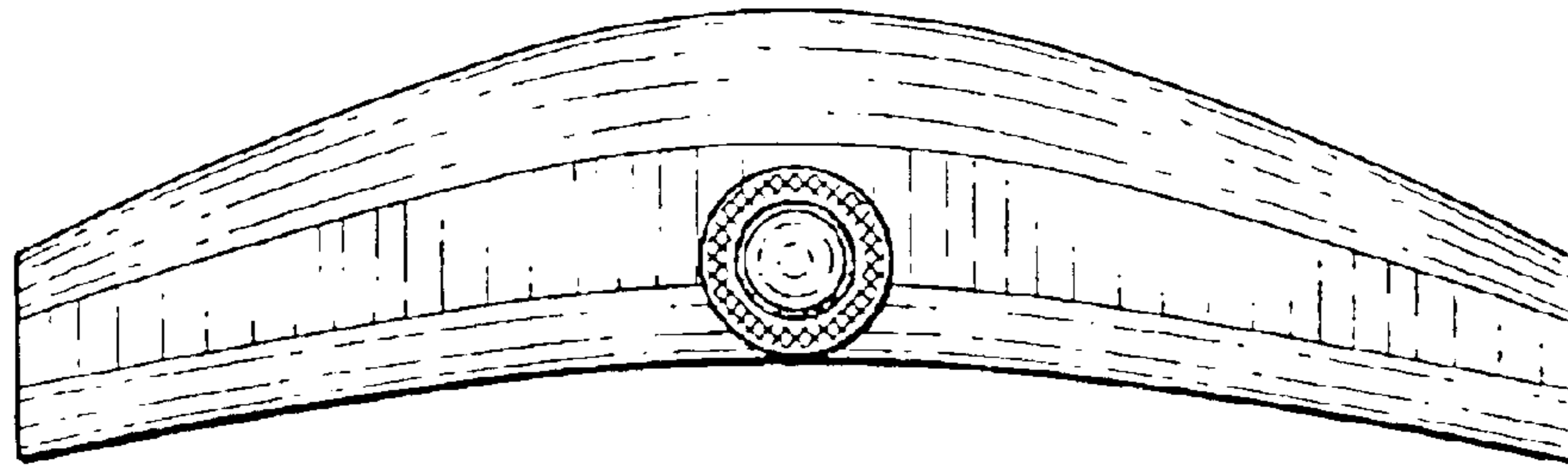


Fig. 4

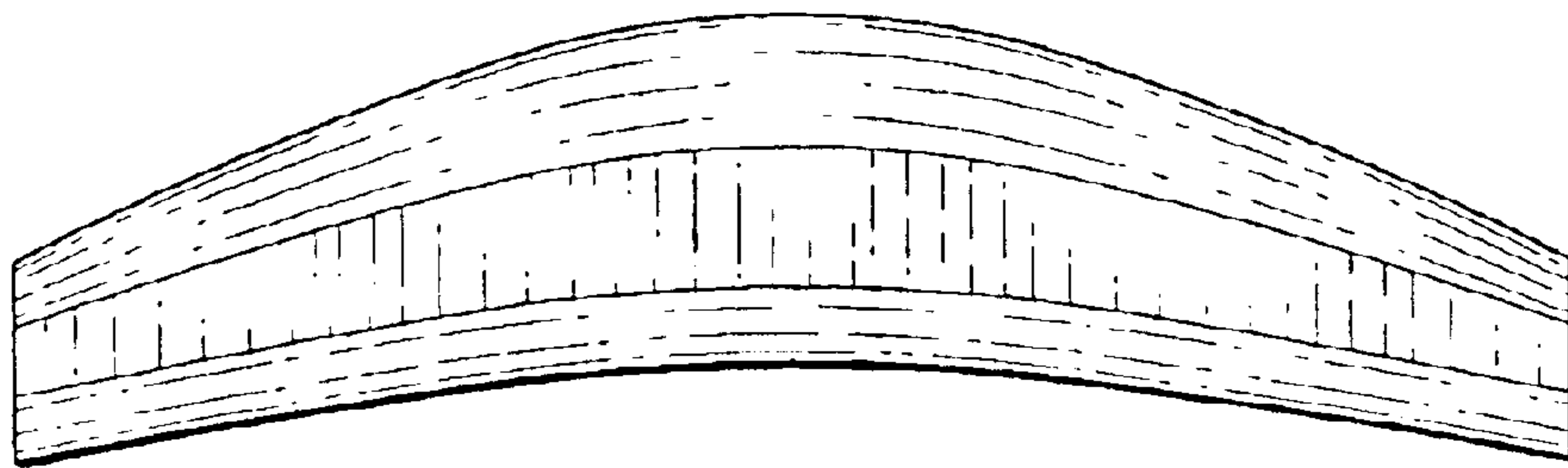


Fig. 5

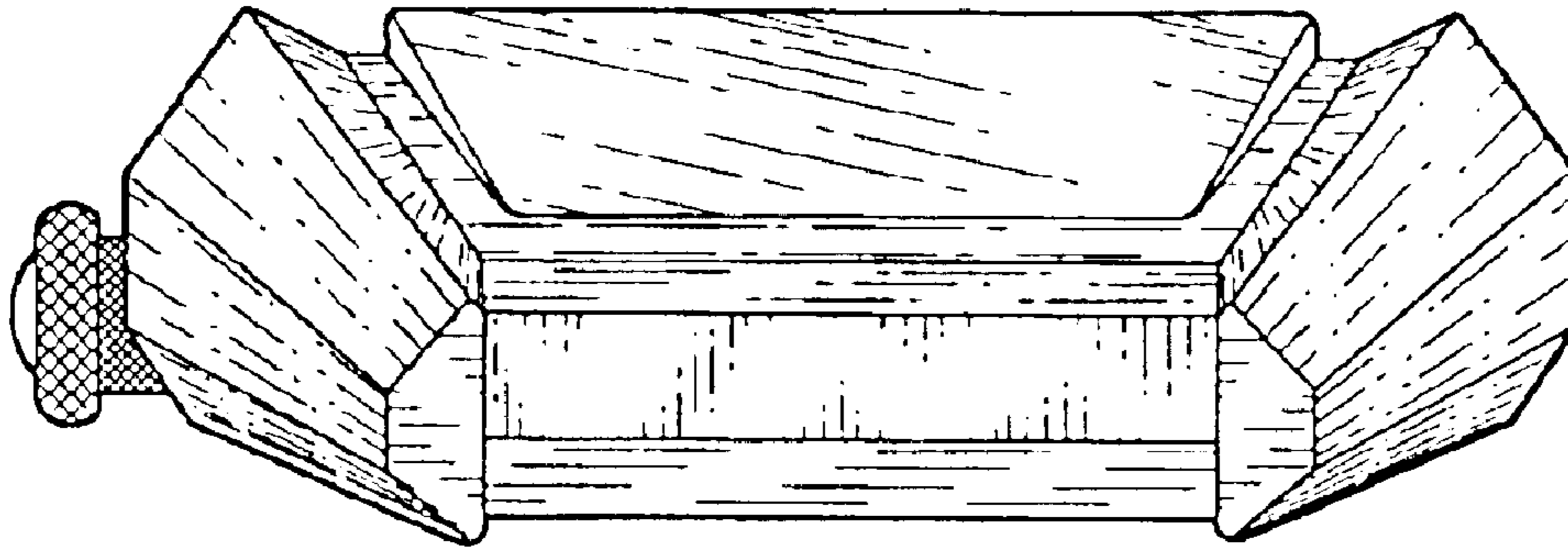


Fig. 6

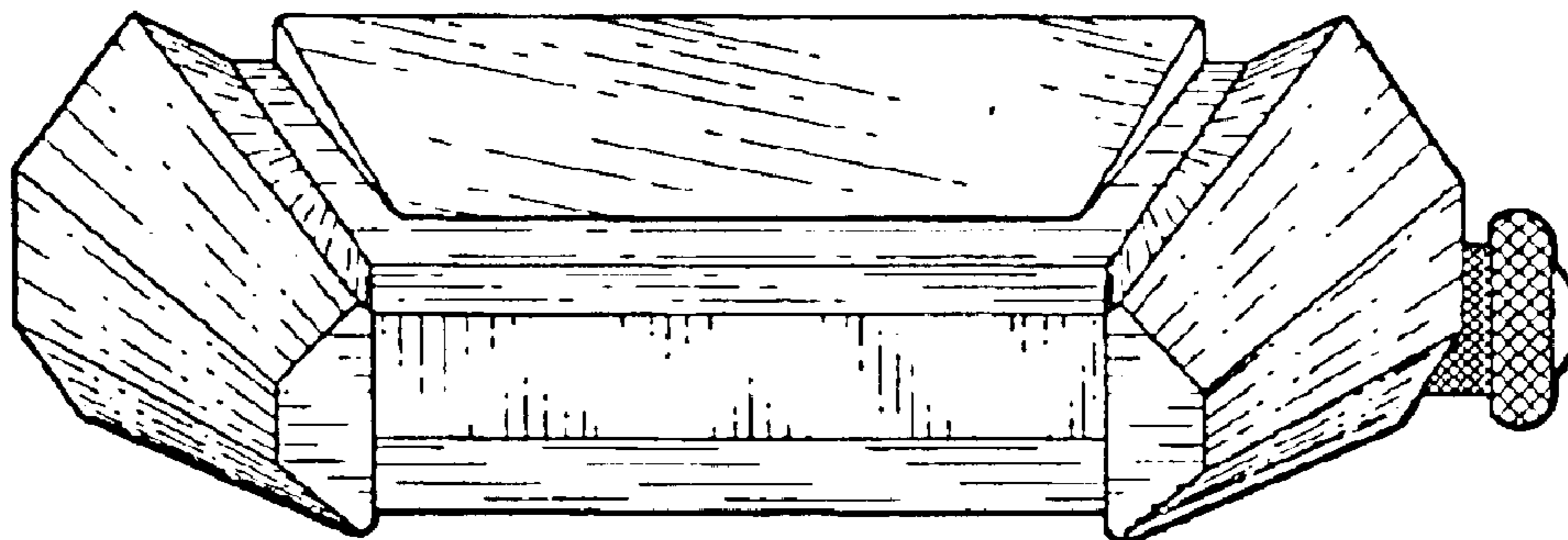


Fig. 7